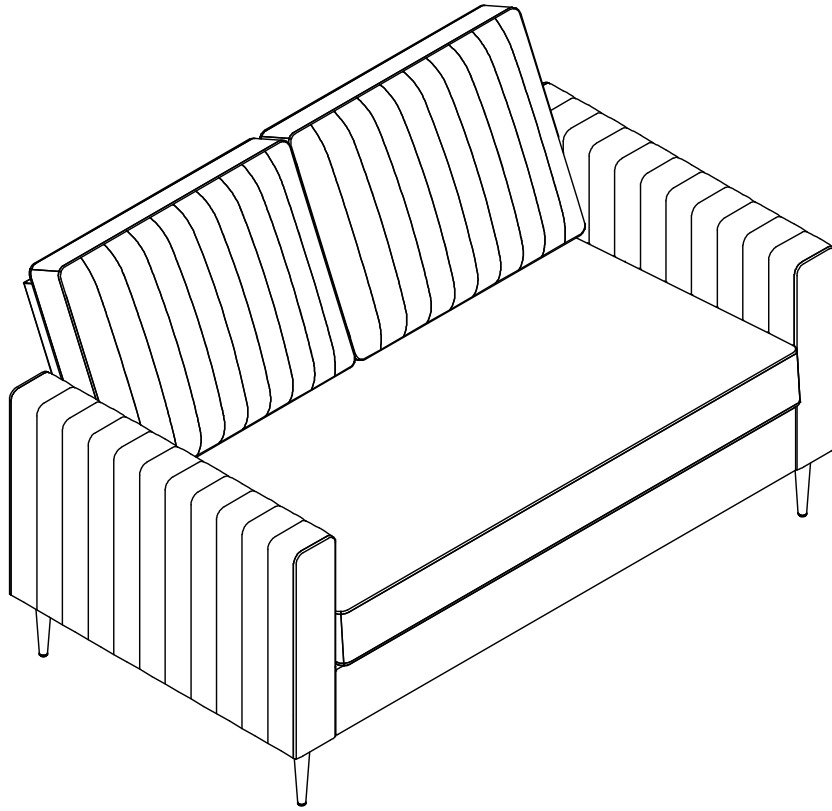
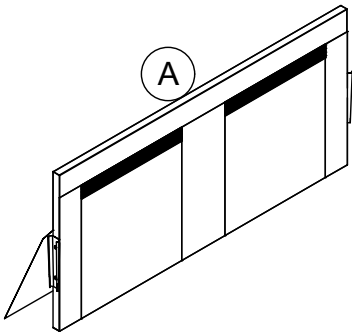


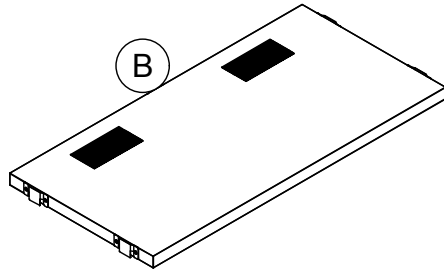
Assembly Instruction



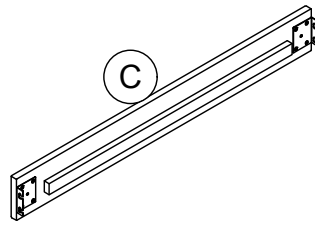
PART



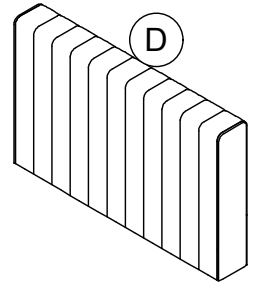
Back X 1 PC



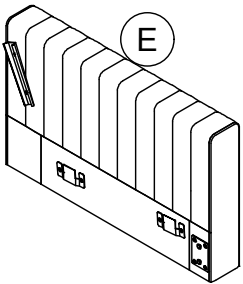
Seat Panel X 1 PC



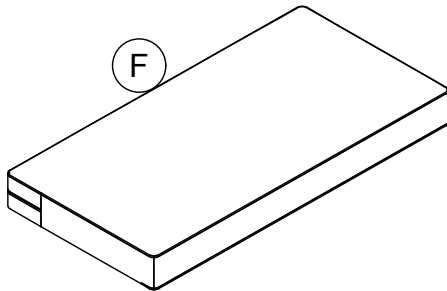
Front Rail X 1 PC



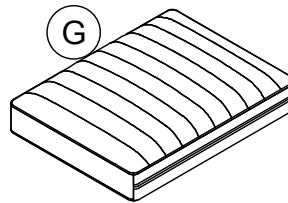
Armrest X 1 PC



Armrest X 1 PC



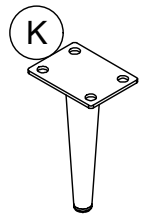
Seat Cushion X 1 PC



Back Cushion X 2 PCS

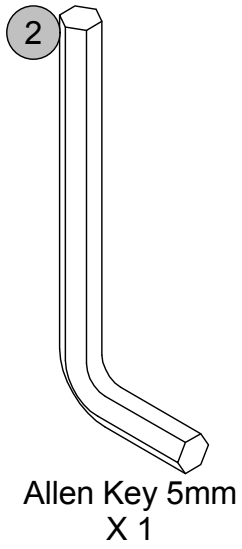
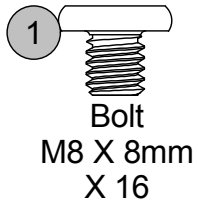


Support Leg X 1 PC



Leg X 4 PCS

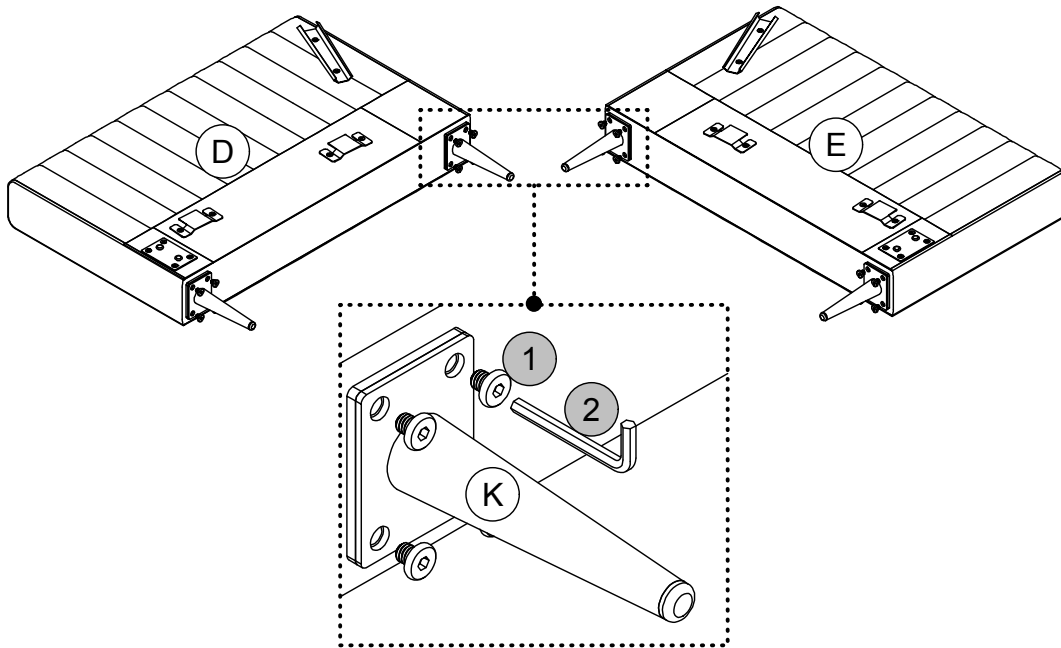
HARDWARE



Place all parts on a clean, smooth surface.

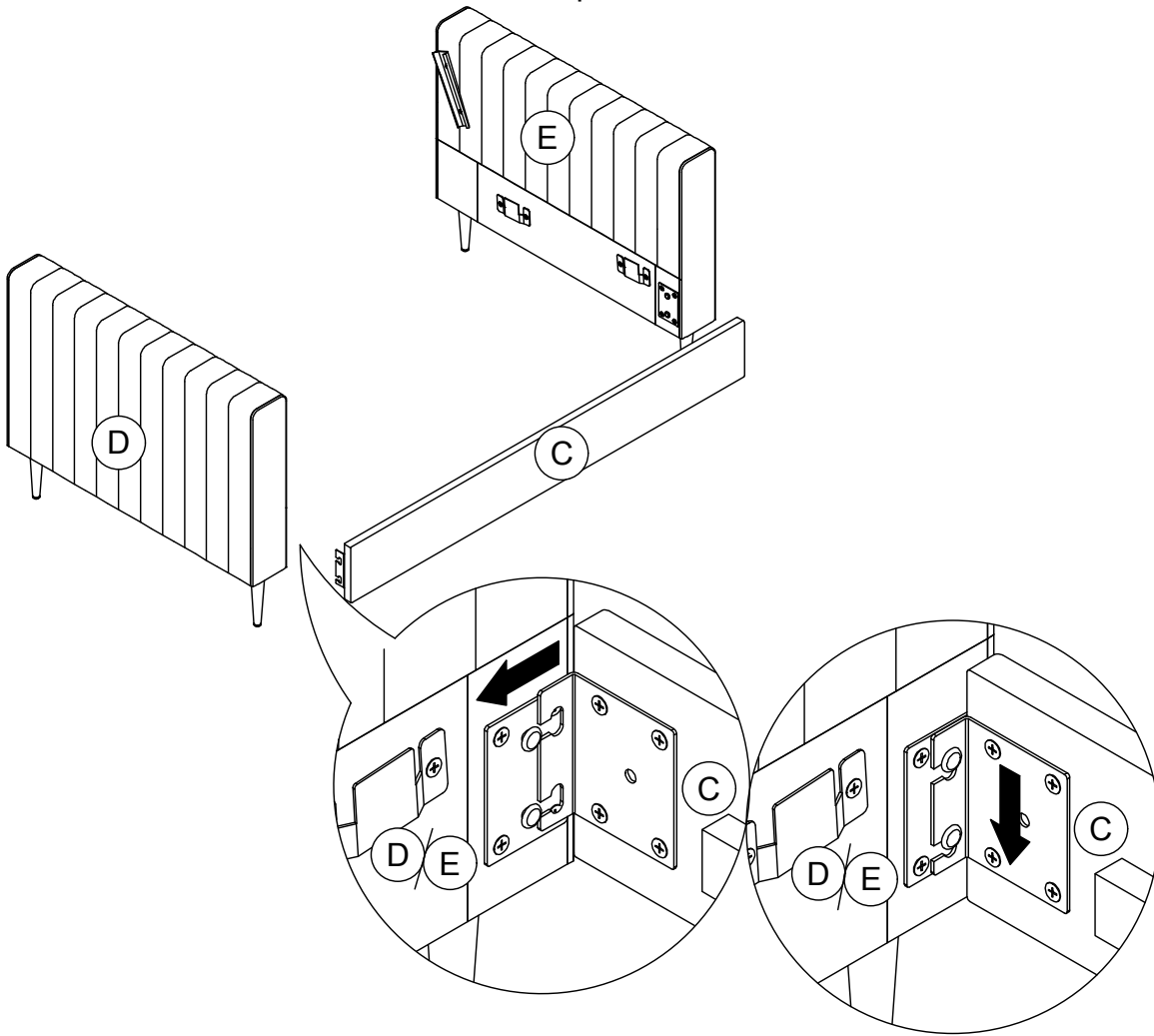
STEP 1:

Attach **K** x 4 to **D** & **E** with **1**, as shown.



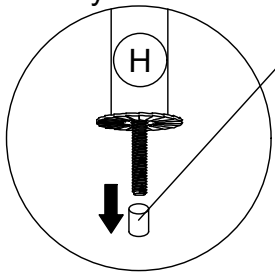
STEP 2:

Attach **C** to **D** & **E** by inserting the brackets on **C** into the metal plate on **D** & **E**, as shown. Push **C** with a downward force to secure it into place.

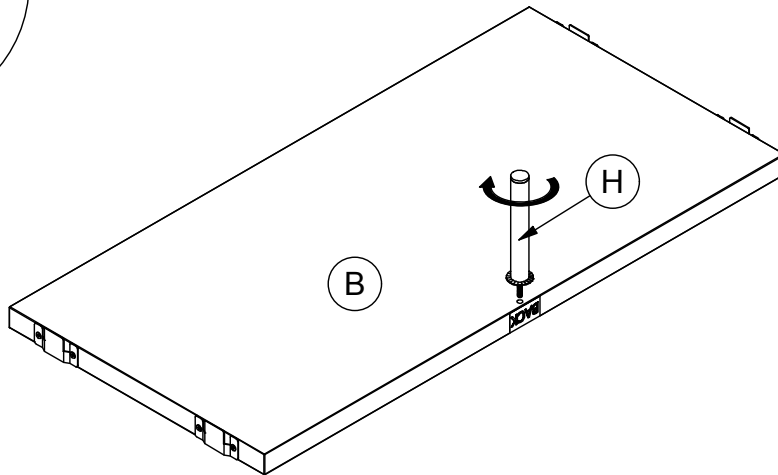


STEP 3:

Manually screw **H** to **B**, as shown.

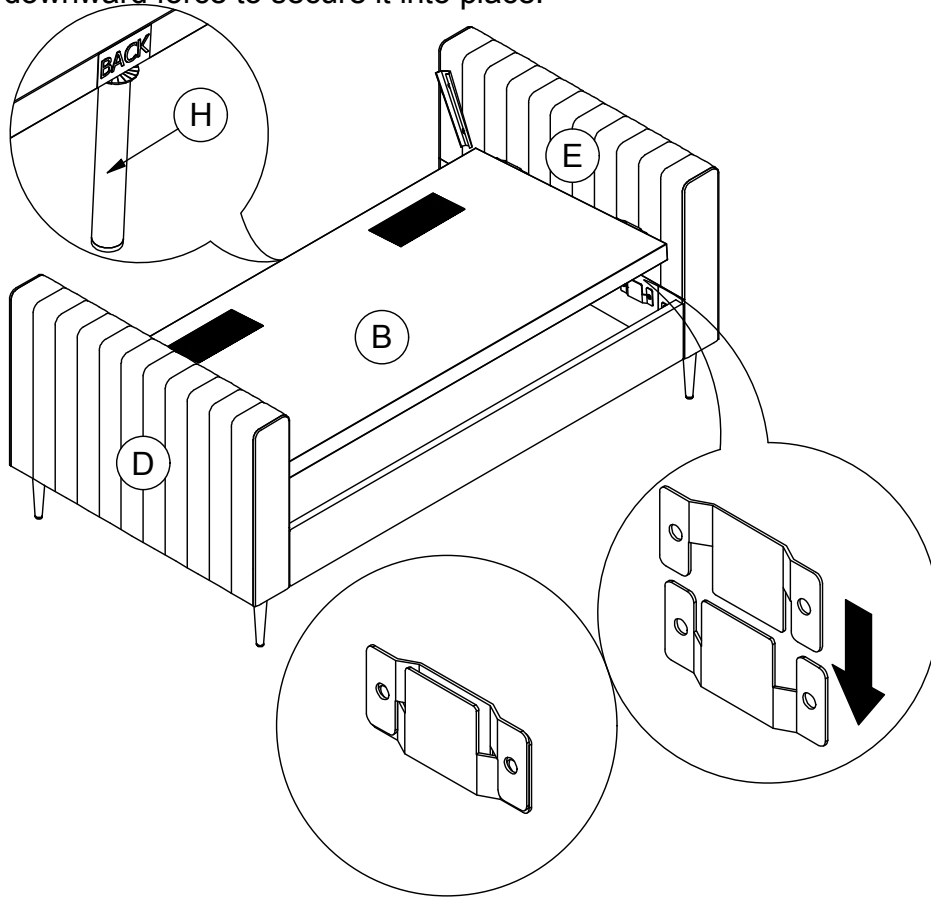


⚠ Please remove the protective cap on the tip of thread before assembling.



STEP 4:

Attach **B** to **D** & **E** by inserting the metal brackets on **B** into the metal glides on **D** & **E**, as shown. Push **B** with a downward force to secure it into place.

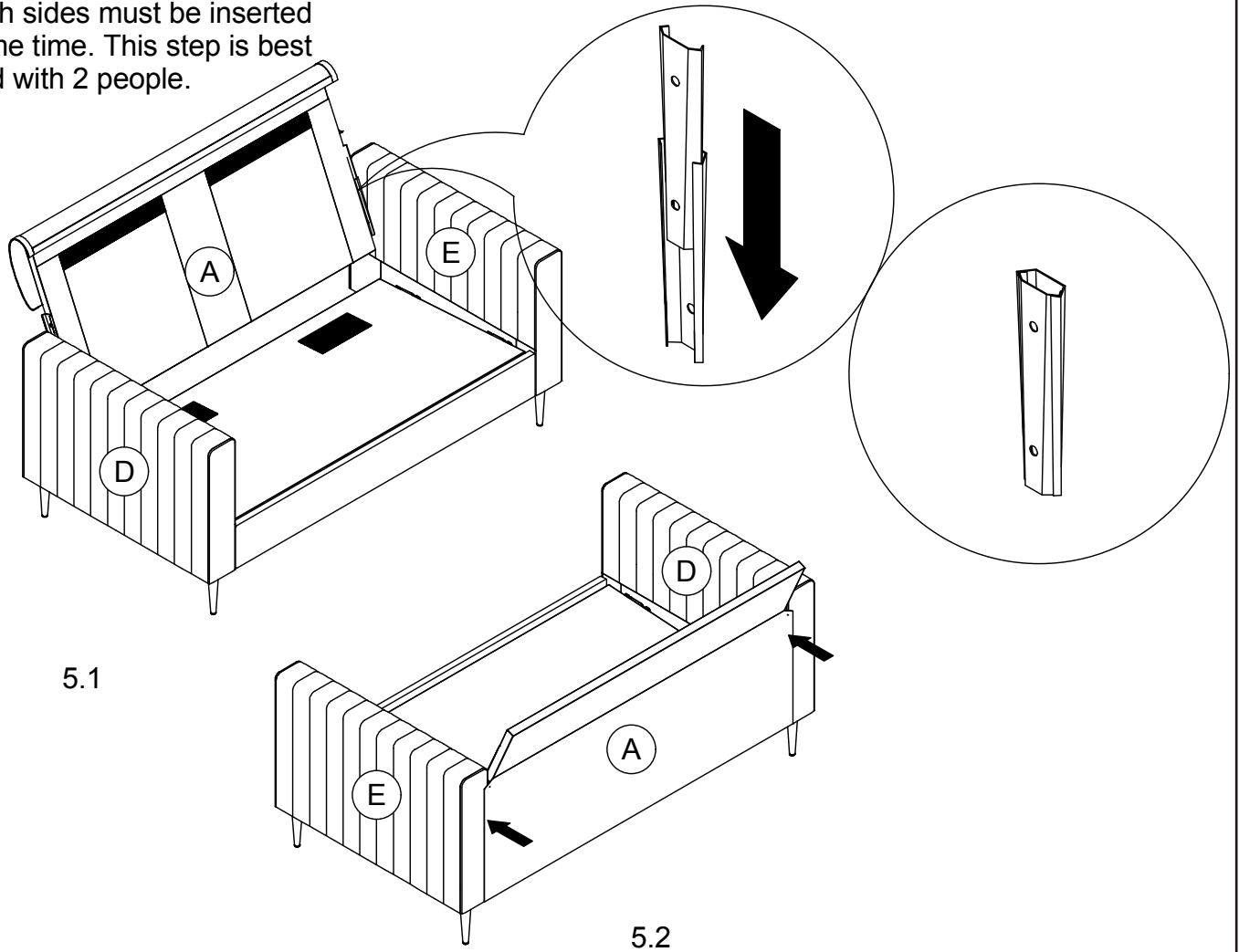


STEP 5:

5.1 Attach **A** to **D** & **E** by inserting the brackets on **A** into the metal glides on **D** & **E**. Push **A** with a downward force to secure it into place.

5.2 Secure the fabric flap on **A** to **D** & **E** using the Velcro strips.

Note: Both sides must be inserted at the same time. This step is best performed with 2 people.



Step 6:

Place **F** & **G** x 2 onto the sofa.

