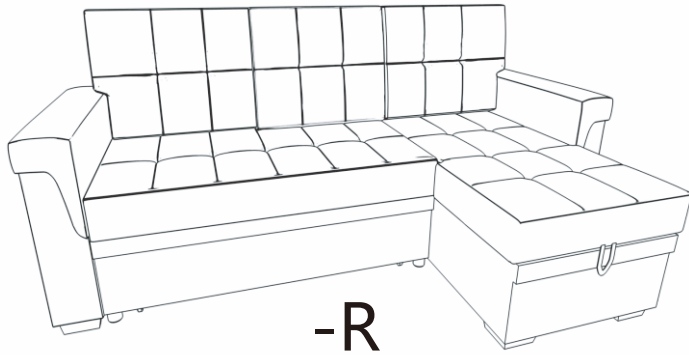
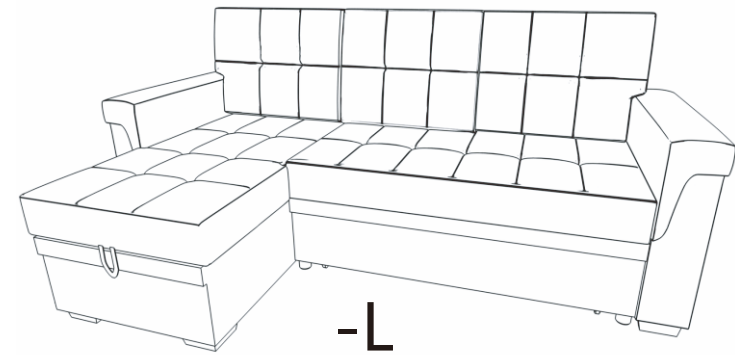


ASSEMBLY INSTRUCTION

ITEM NO.:81340

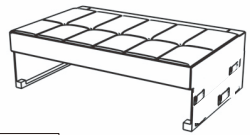


-R



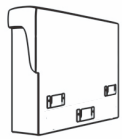
-L

PARTS LIST



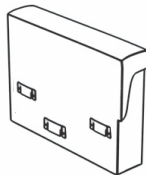
A

x1



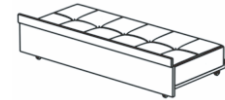
B

x1



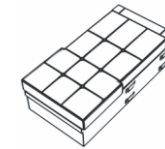
C

x1



D

x1



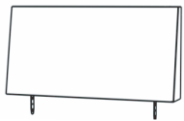
E

x1



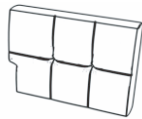
F

x1



G

x1



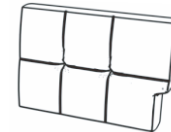
H

x1



I

x1



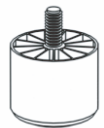
J

x1



K

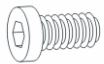
x6



L

x6

HARDWARE LIST



1

x8



2

x1



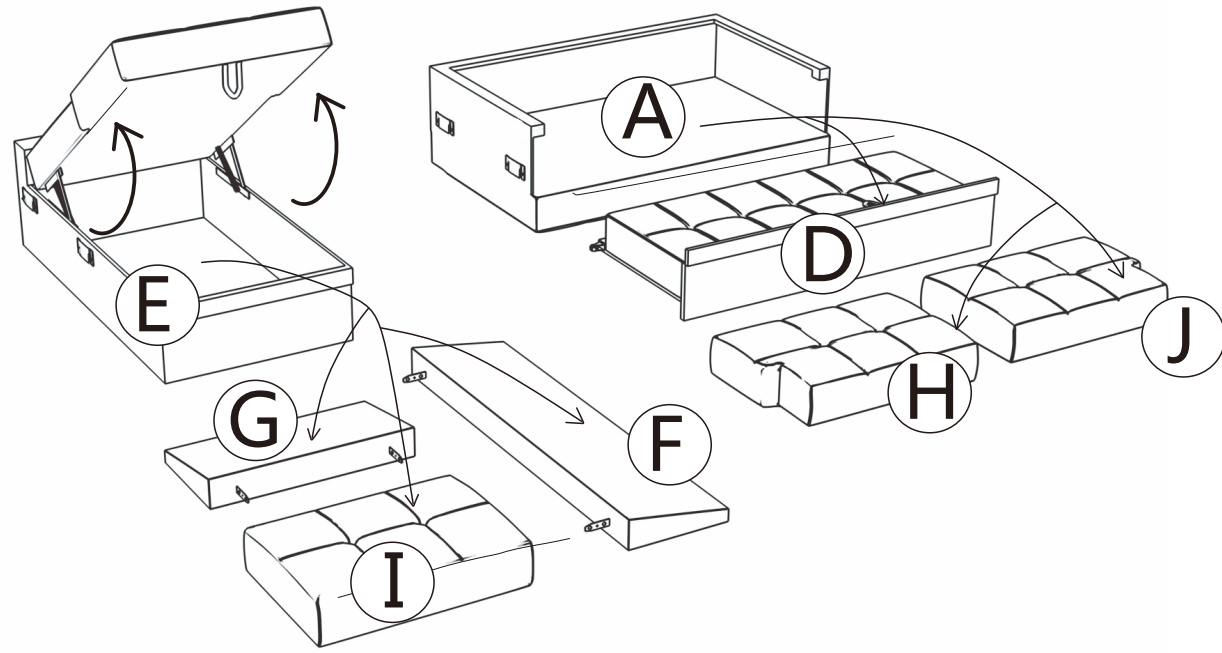
3

x18

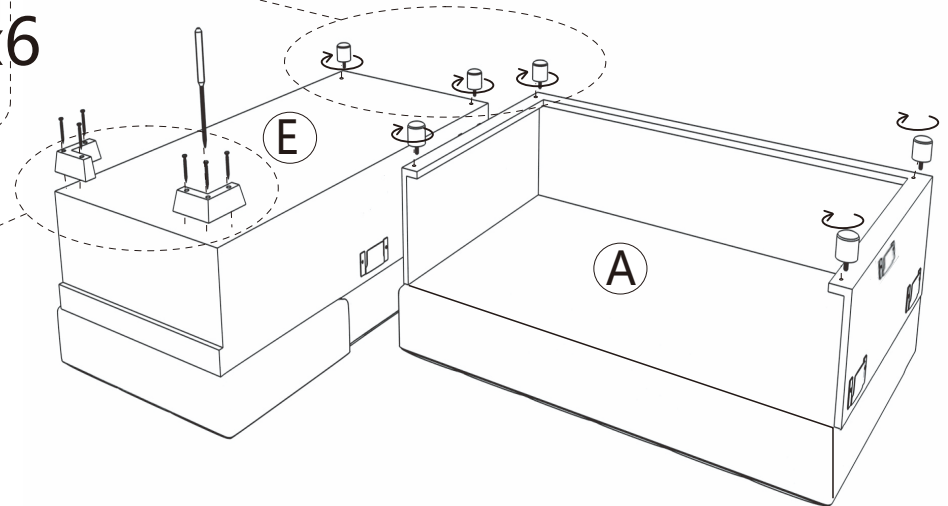
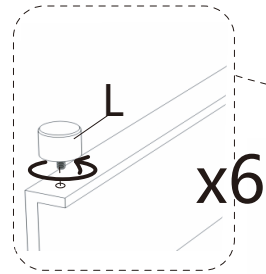
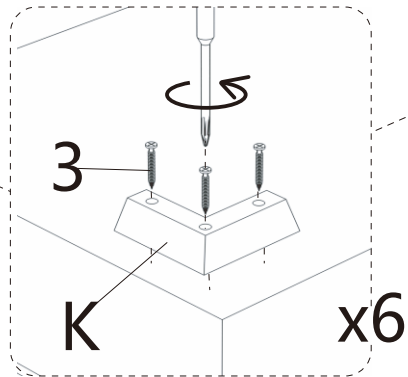
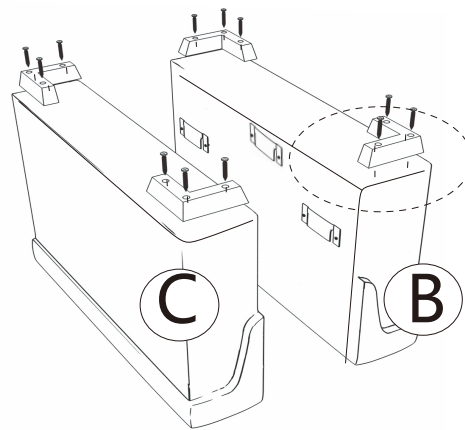


4

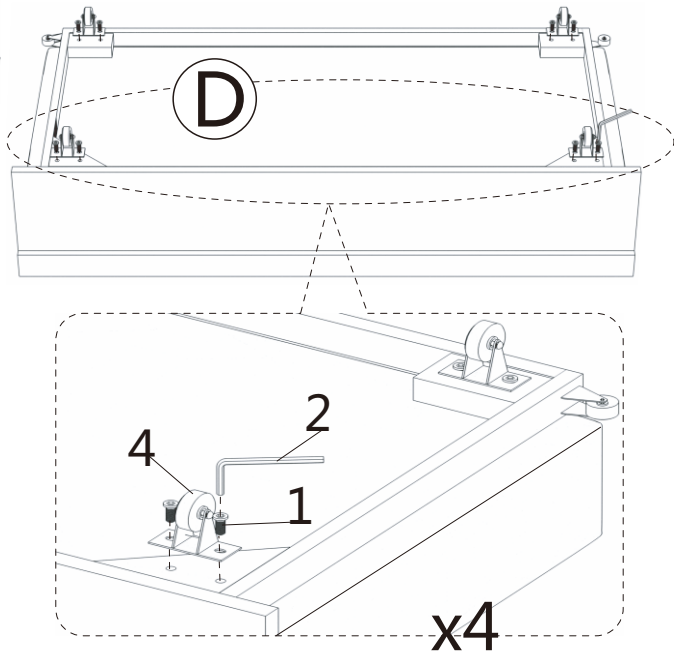
x4



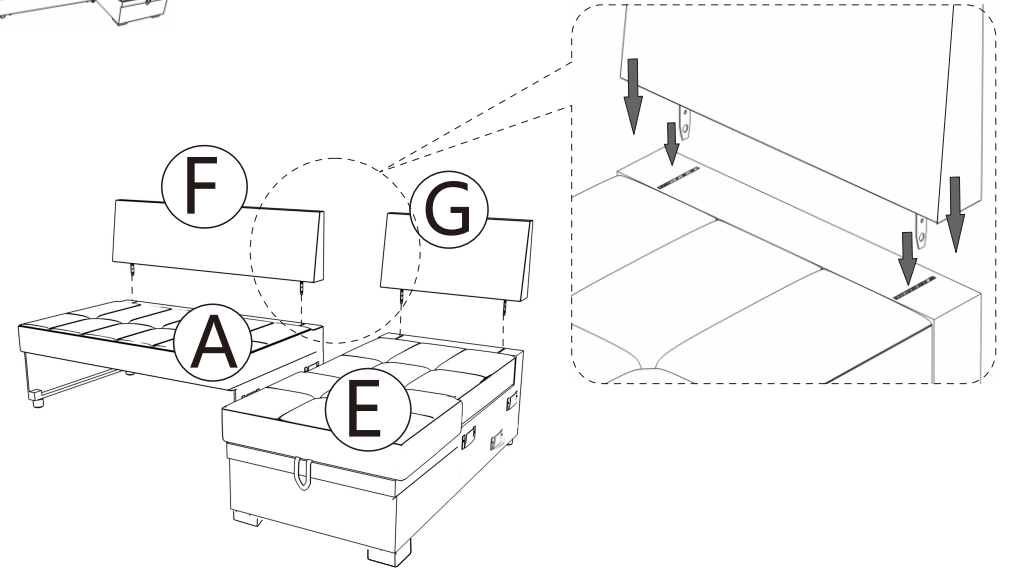
Step 1-R



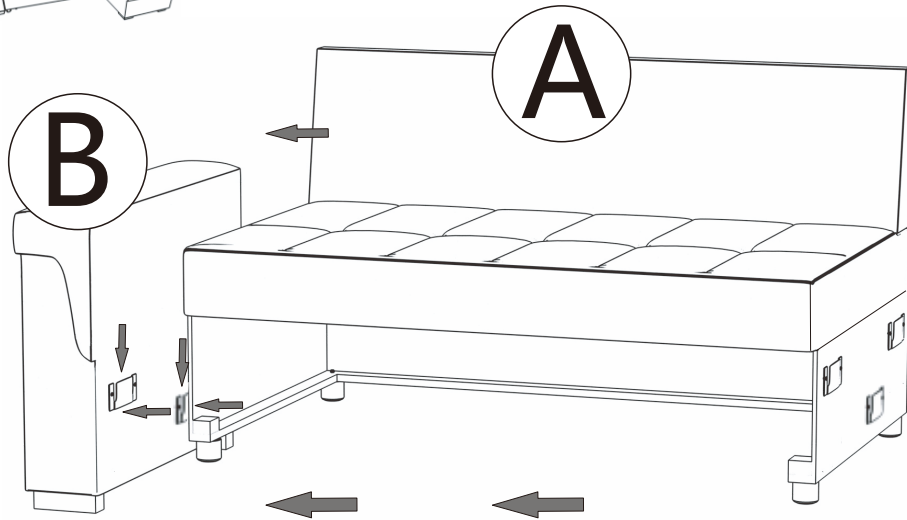
Step2-R



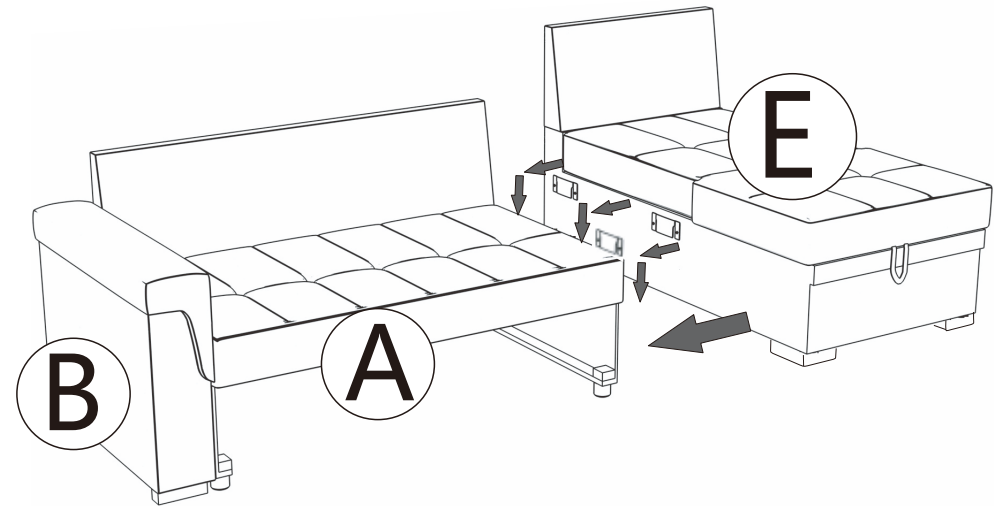
Step3-R



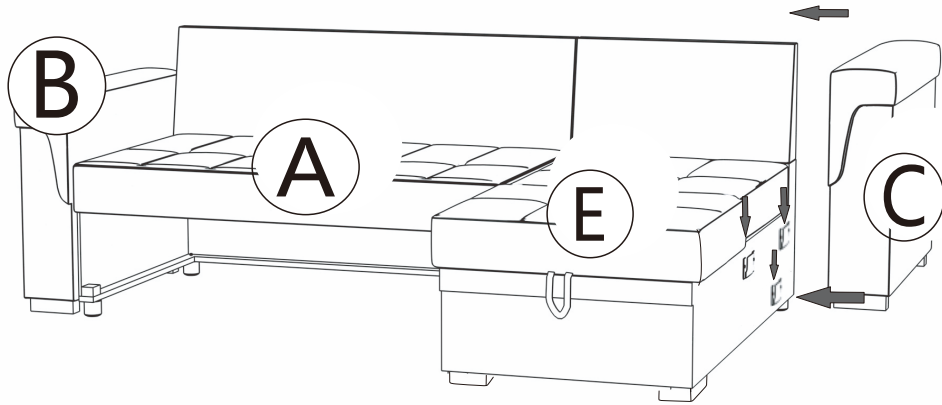
Step4-R



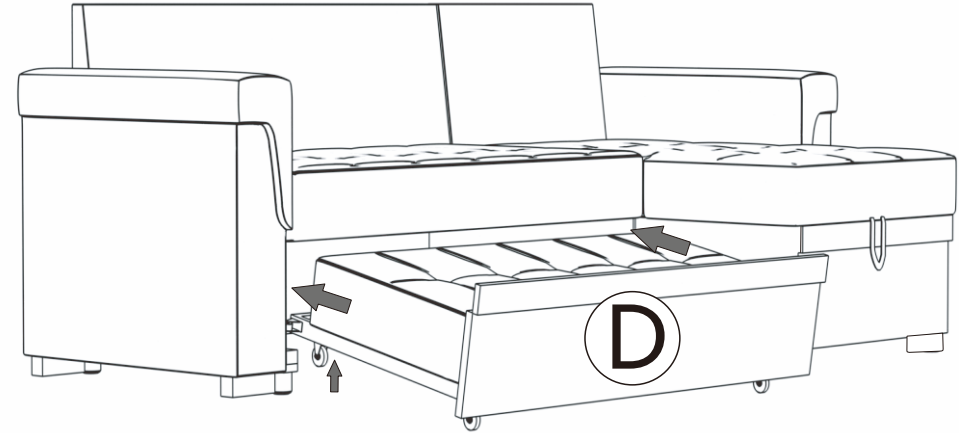
Step5-R



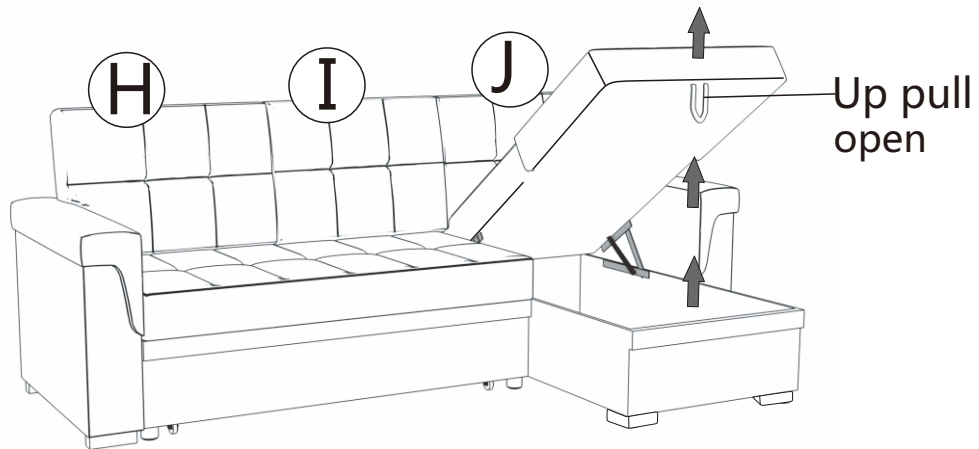
Step6-R



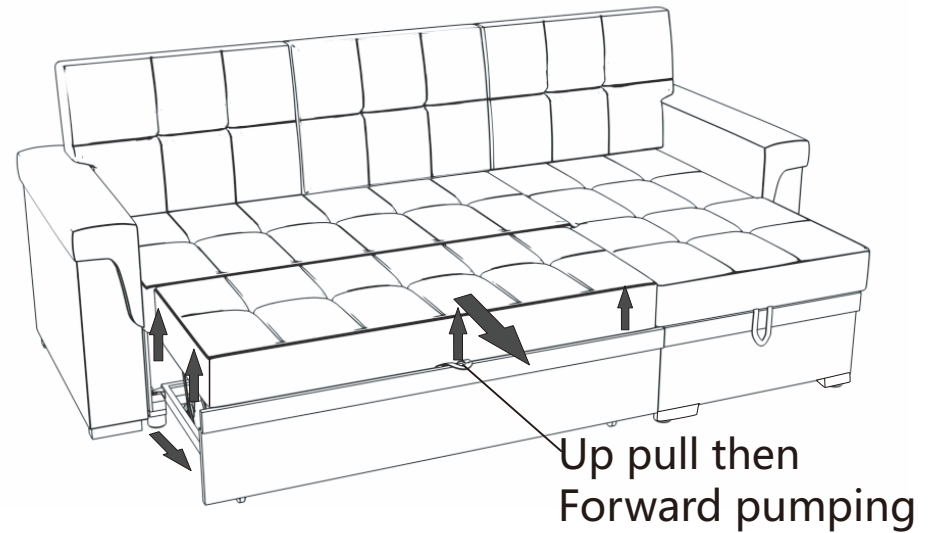
Step7-R



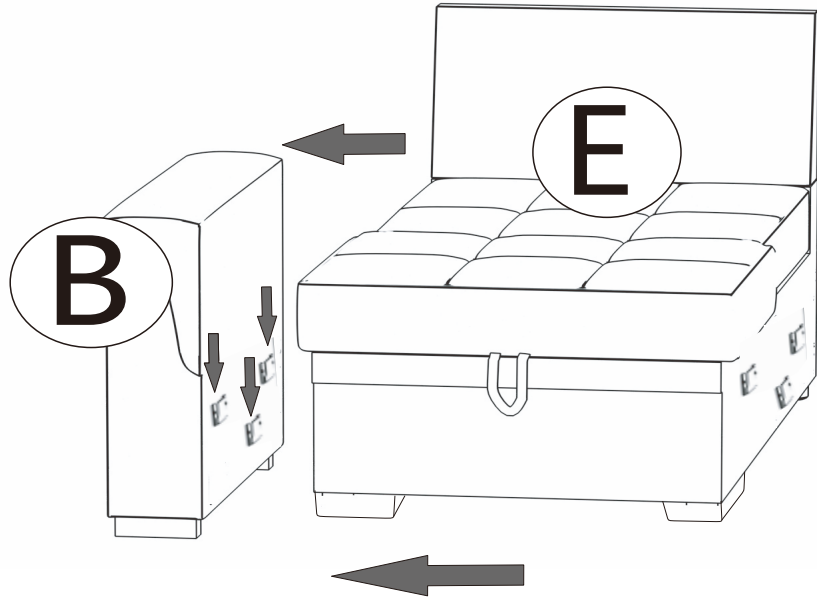
Step8-R



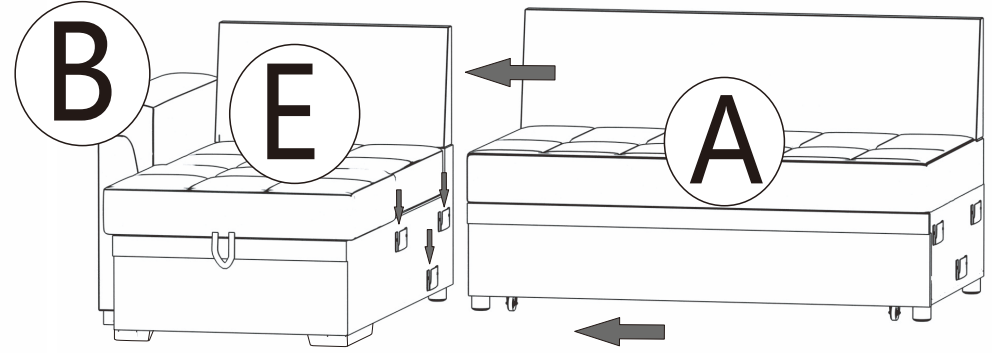
Step9-R



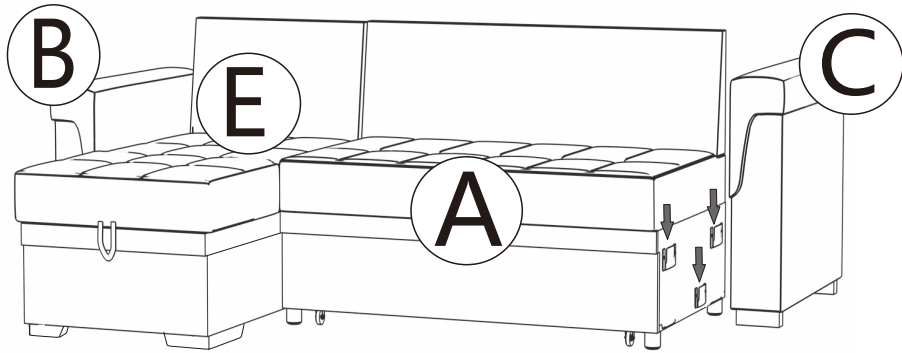
Step1-L



Step2-L



Step3-L



Step4-L

