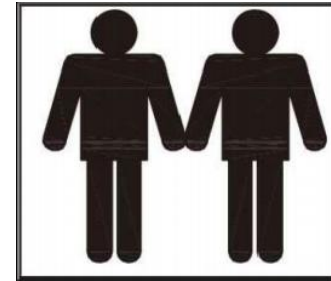
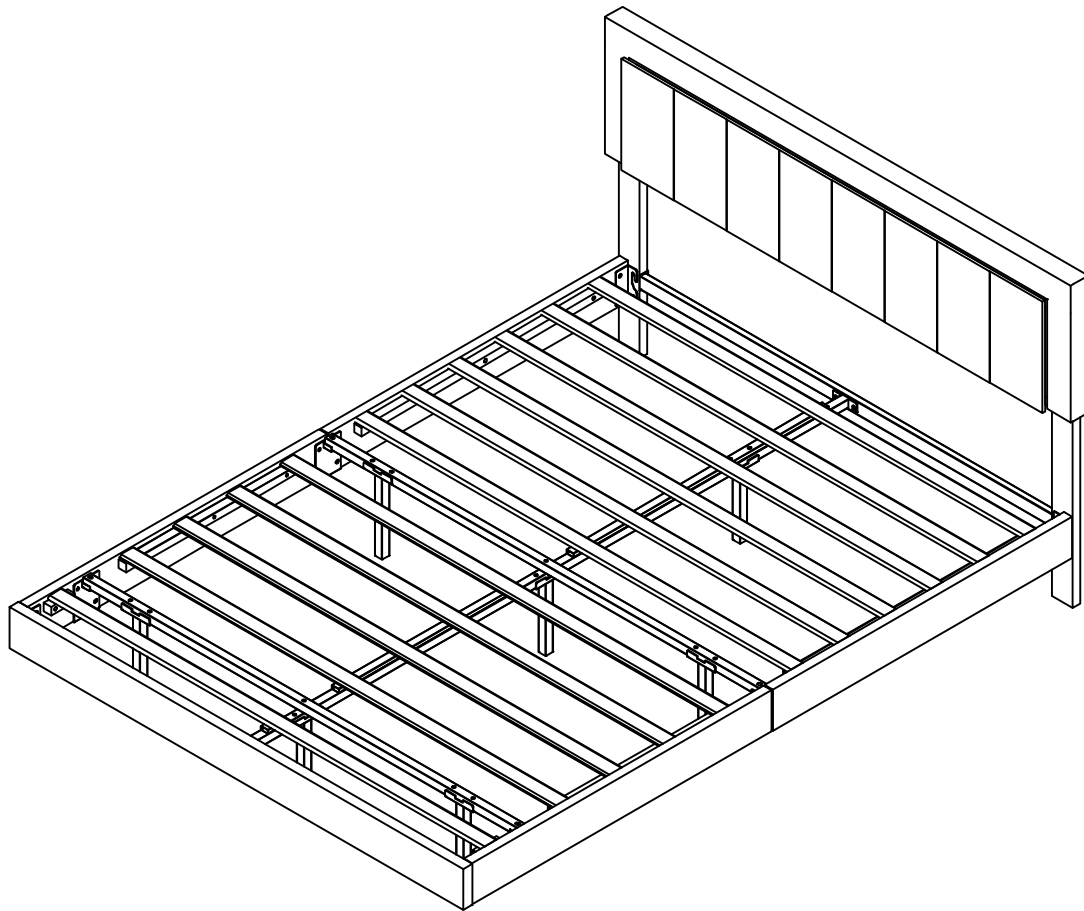


Assembly Instruction

Note:

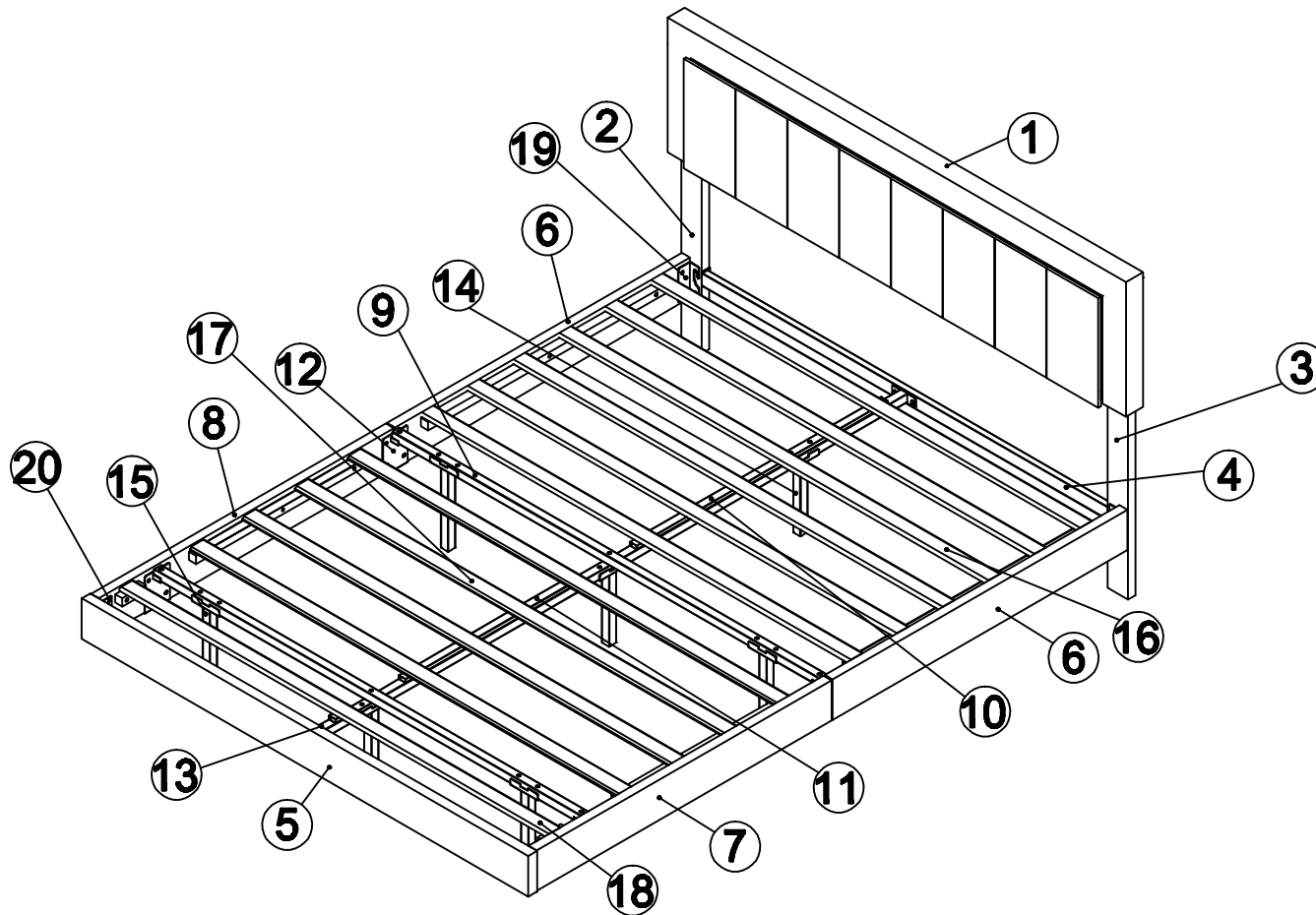
- 1. Should be assembled on flat ground to keep balance.**
- 2. Before completing the installation, do not tighten the screws.**



It needs at least two people to install.



Before starting the assembly, you must read the whole manual and follow the instructions.



Hardware parts



A M8x15
48pcs



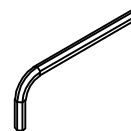
B M8x35
19pcs



C M8x45
6pcs



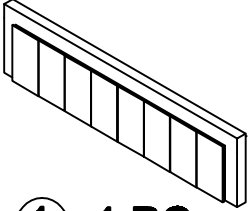
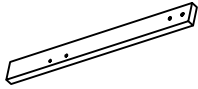

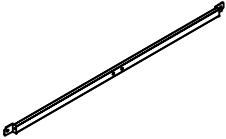
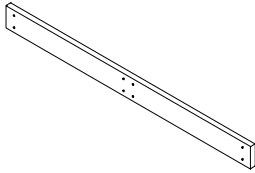
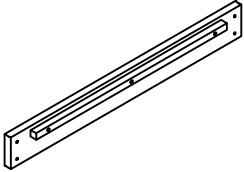
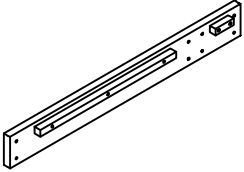
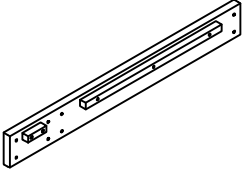
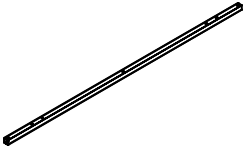
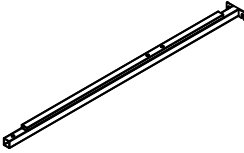
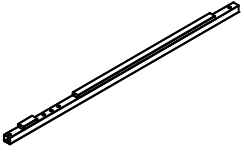
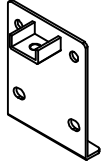
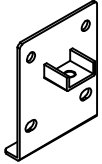
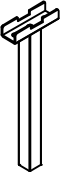
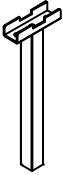
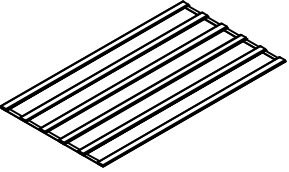
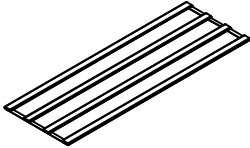
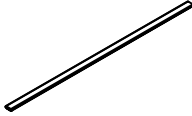



D M8x60
2pcs





E 4 #
1pc

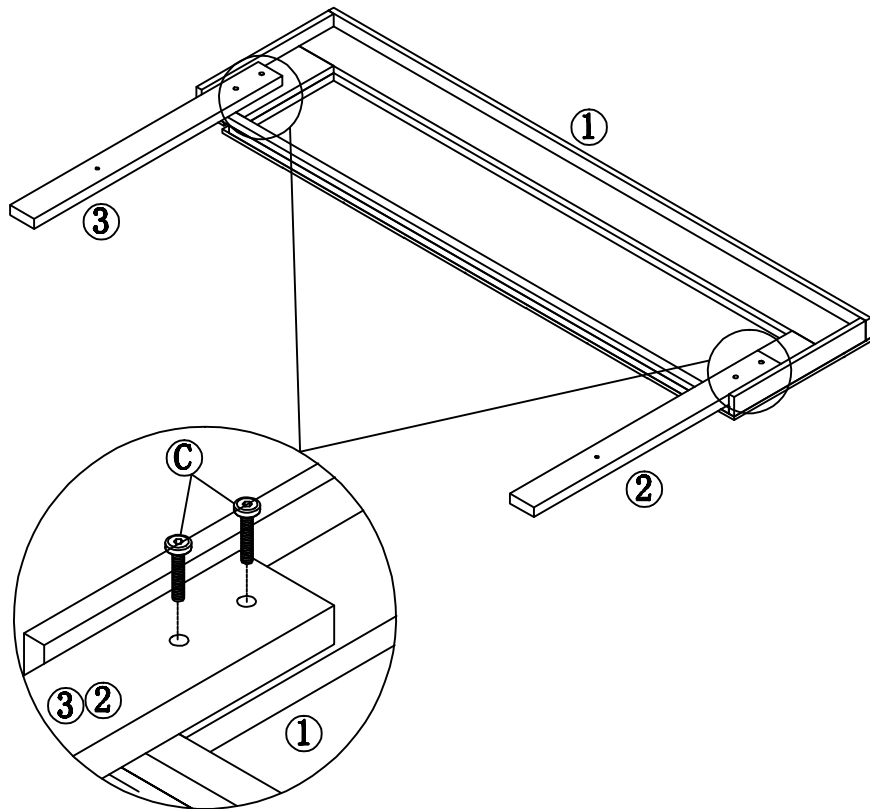
Assembly Instruction



Part list

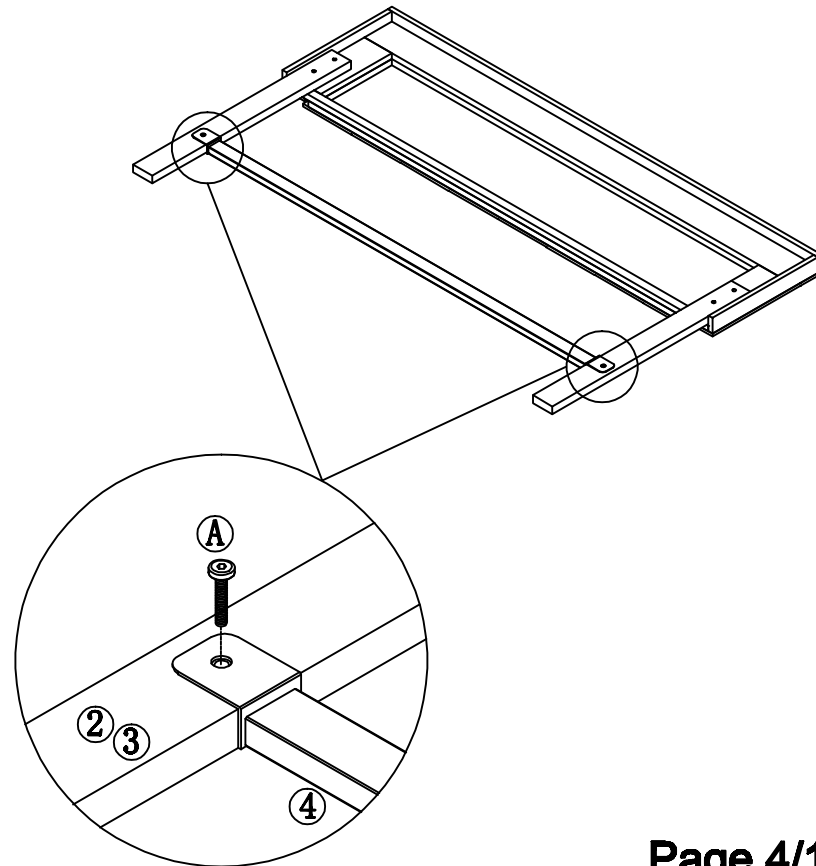
 ① 1 PC	 ② 1 PC	 ③ 1 PC	 ④ 1 PC	 ⑤ 1 PC	 ⑥ 2 PCS
 ⑦ 1 PC	 ⑧ 1 PC	 ⑨ 2 PCS	 ⑩ 1 PC	 ⑪ 1 PC	 ⑫ 4 PCS
 ⑬ 1 PC	 ⑭ 3 PCS	 ⑮ 4 PCS	 ⑯ 1 PC	 ⑰ 1 PC	 ⑱ 1 PC
 ⑲ 2 PCS	 ⑳ 2 PCS	 LED ㉑ 1 PC			

Assembly Instruction



C	 M8x45	4pcs
E		1pc

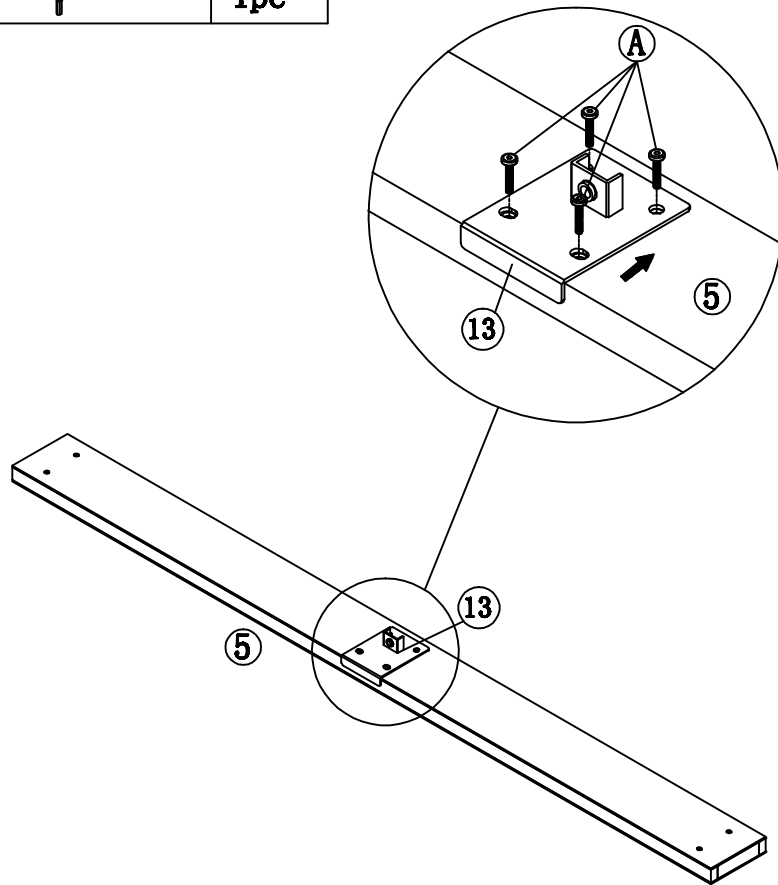




A	 M8x15	2pcs
E		1pc

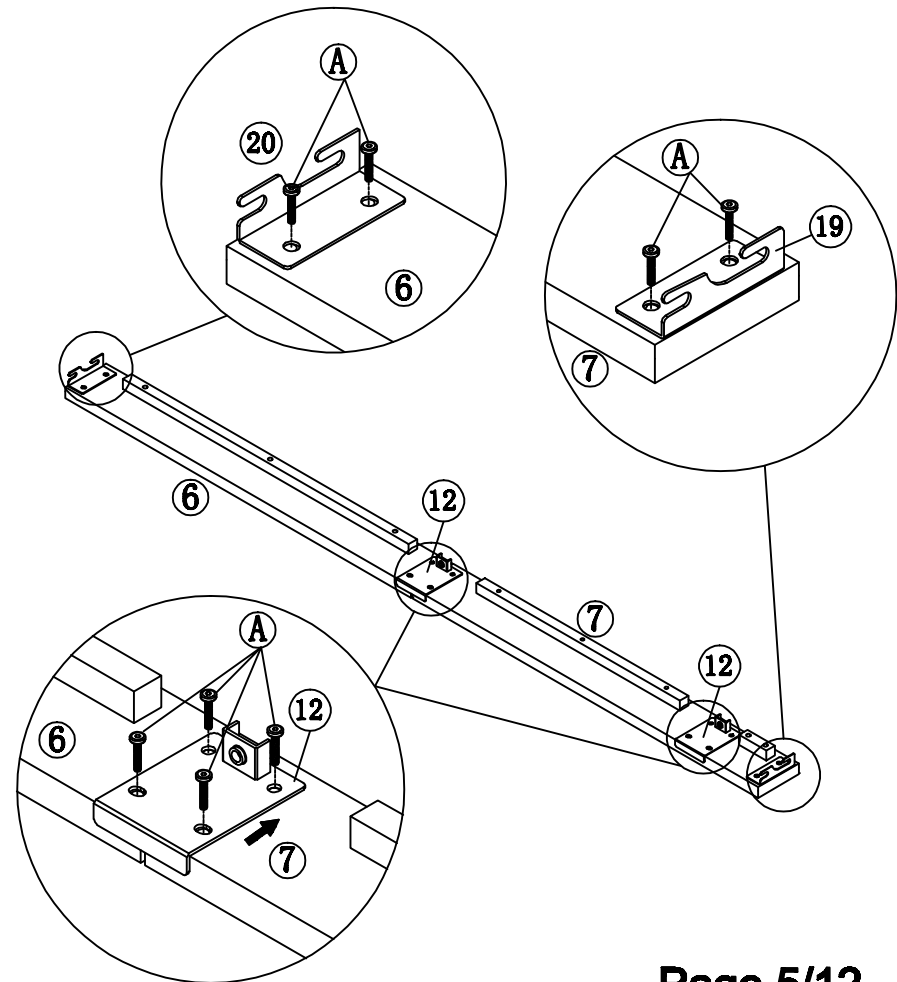


Assembly Instruction



A		M8x15	4pcs
E			1pc






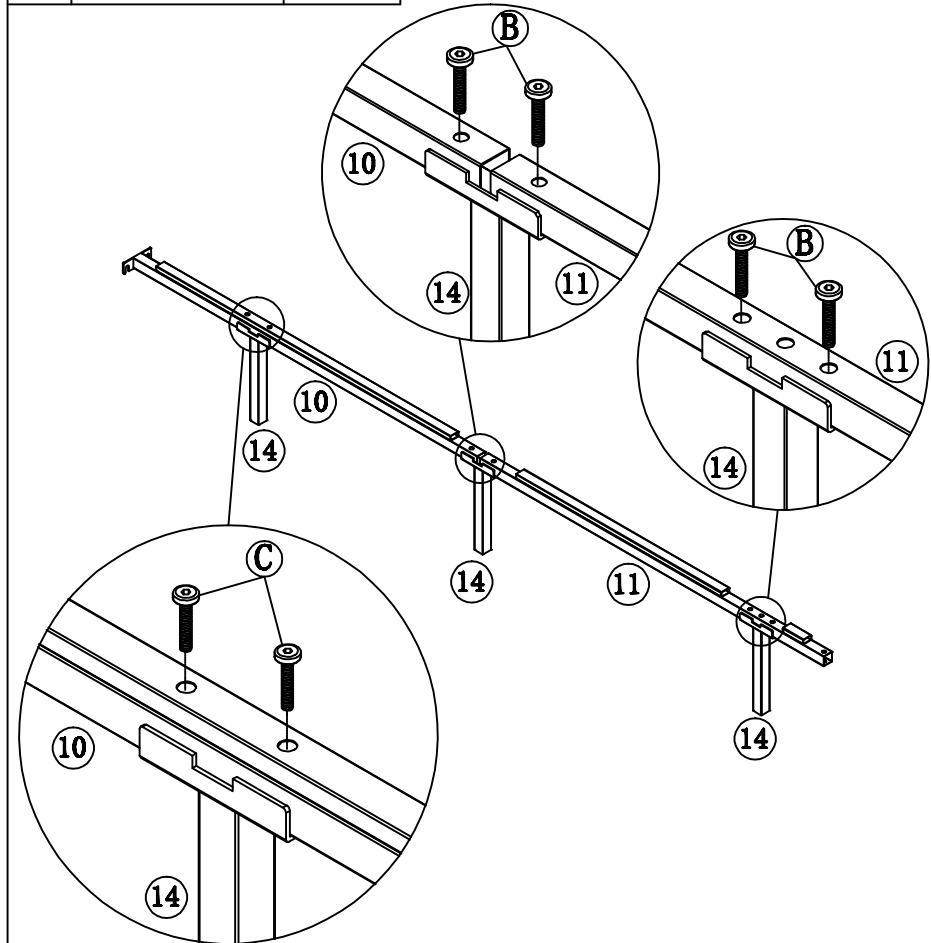
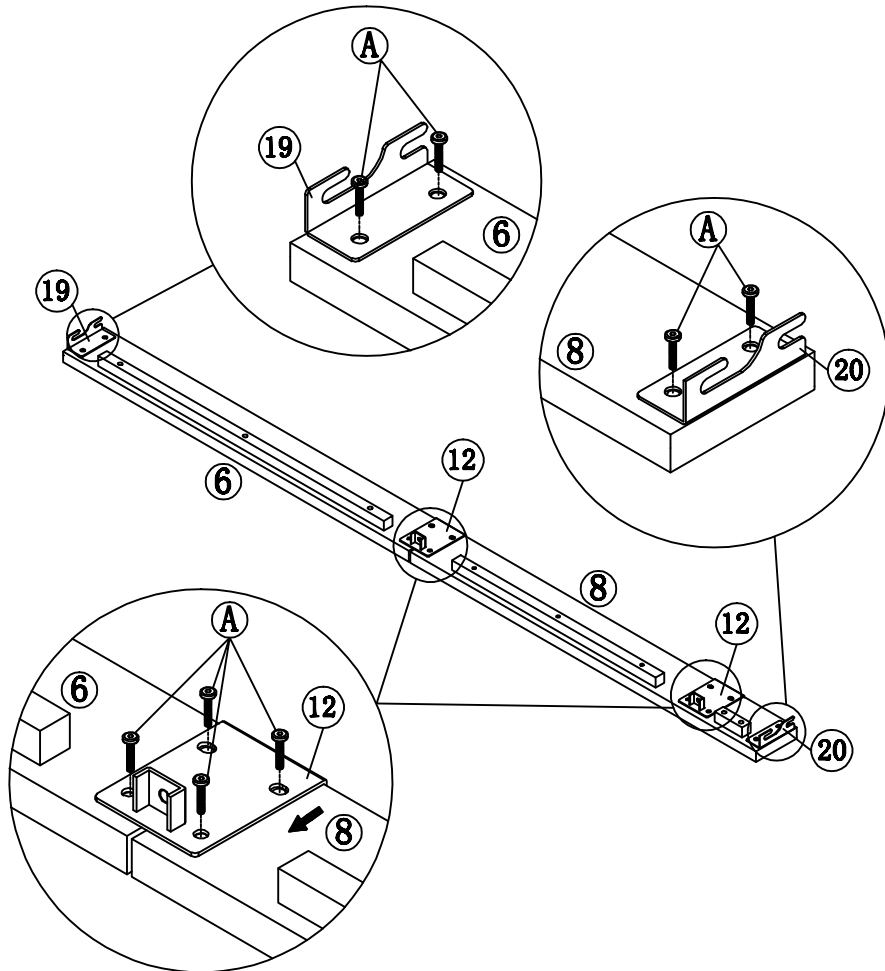
A		M8x15	12pcs
E			1pc





Assembly Instruction

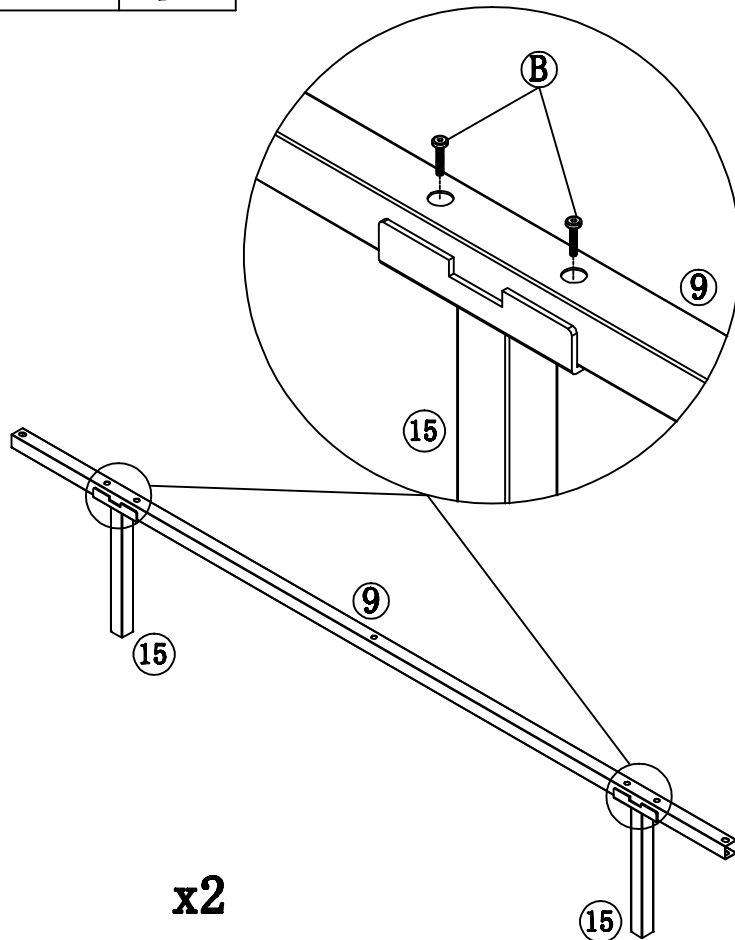
A	 M8x15	12pcs
E		1pc



B	 M8x35	4pcs
C	 M8x45	2pcs
E		1pc

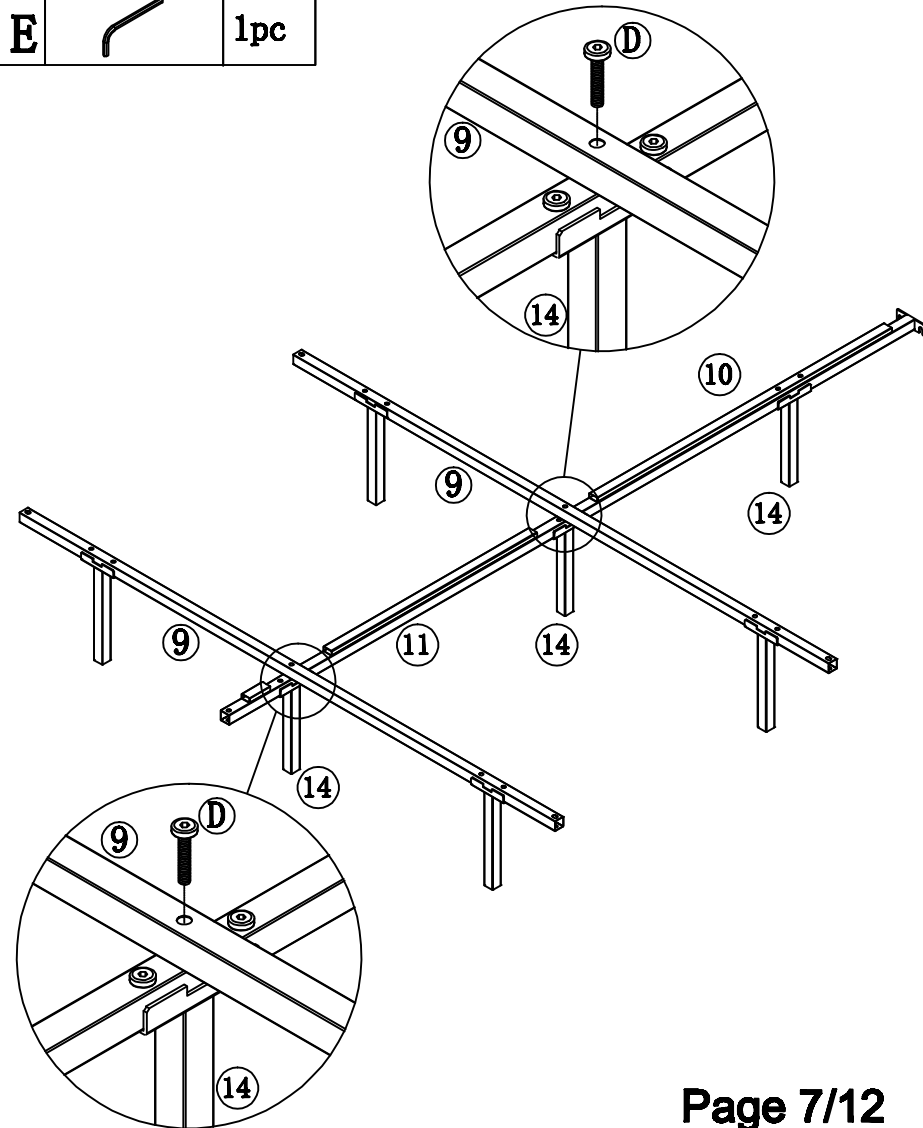


Assembly Instruction



B	 M8x35	8pcs
E		1pc

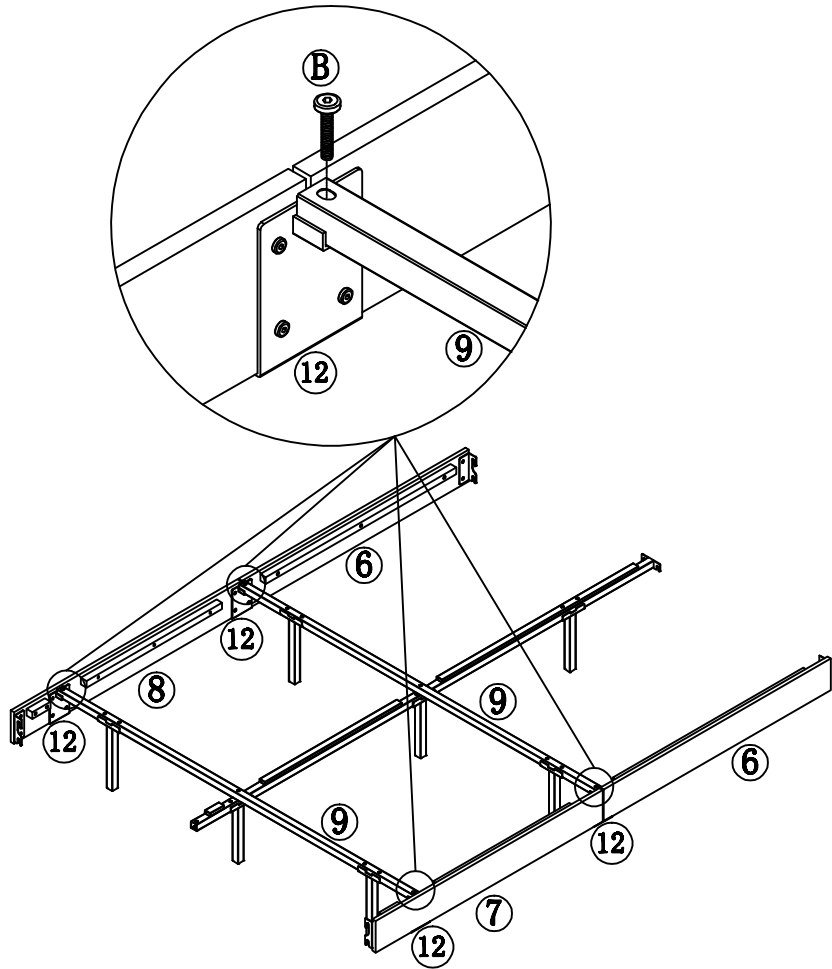




D	 M8x60	2pcs
E		1pc

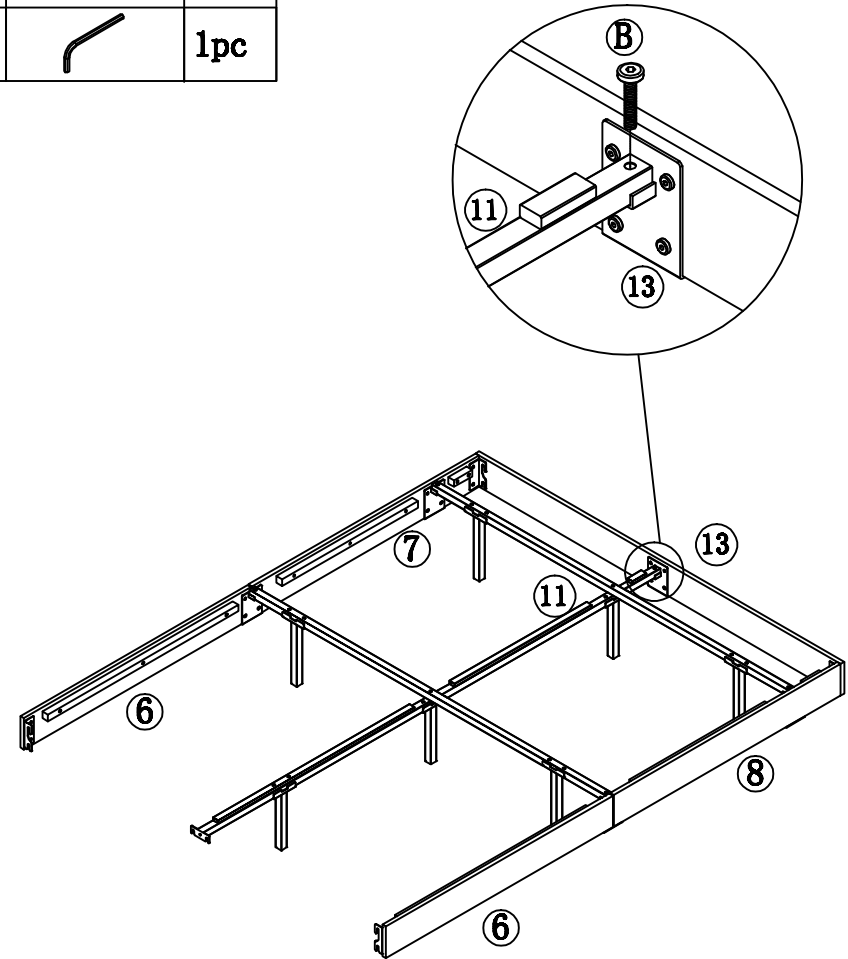


Assembly Instruction



B		M8x35	4pcs
E			1pc

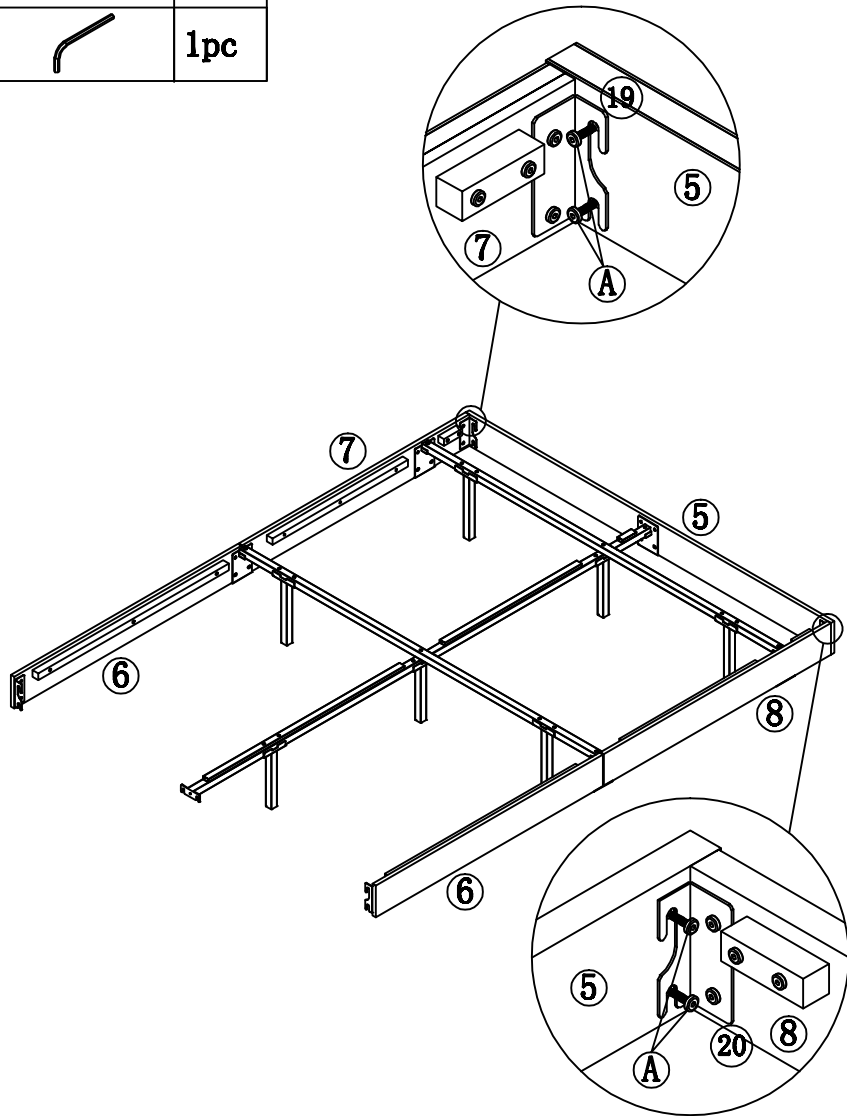




B		M8x35	1pc
E			1pc

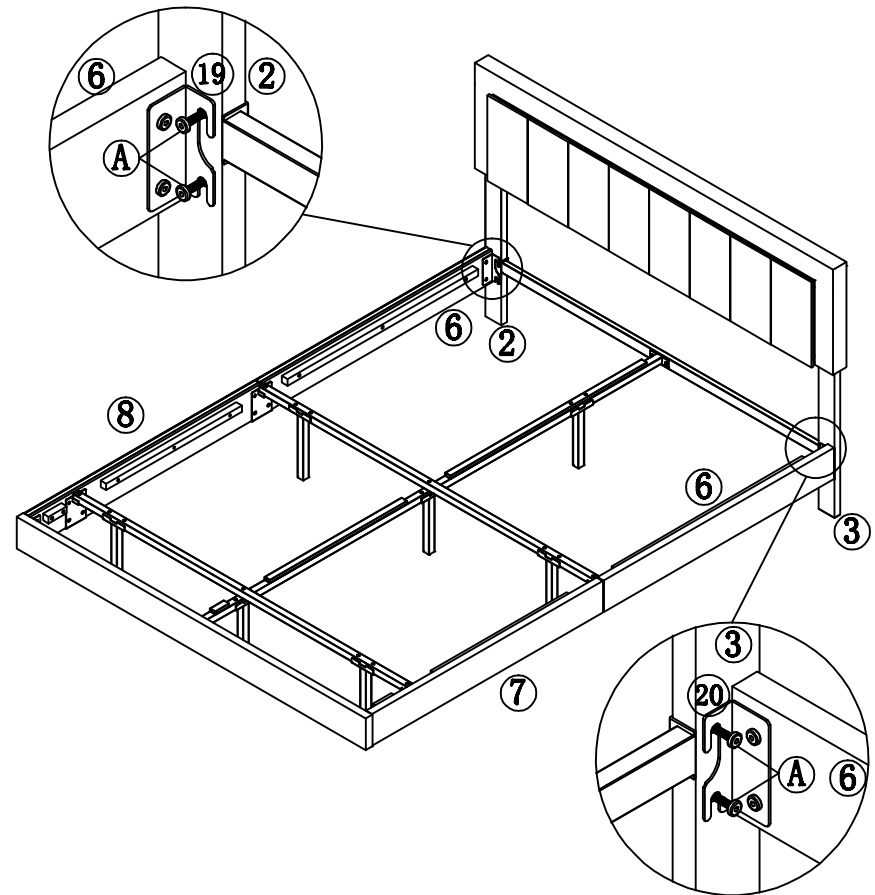


Assembly Instruction



A		M8x15	4pcs
E			1pc

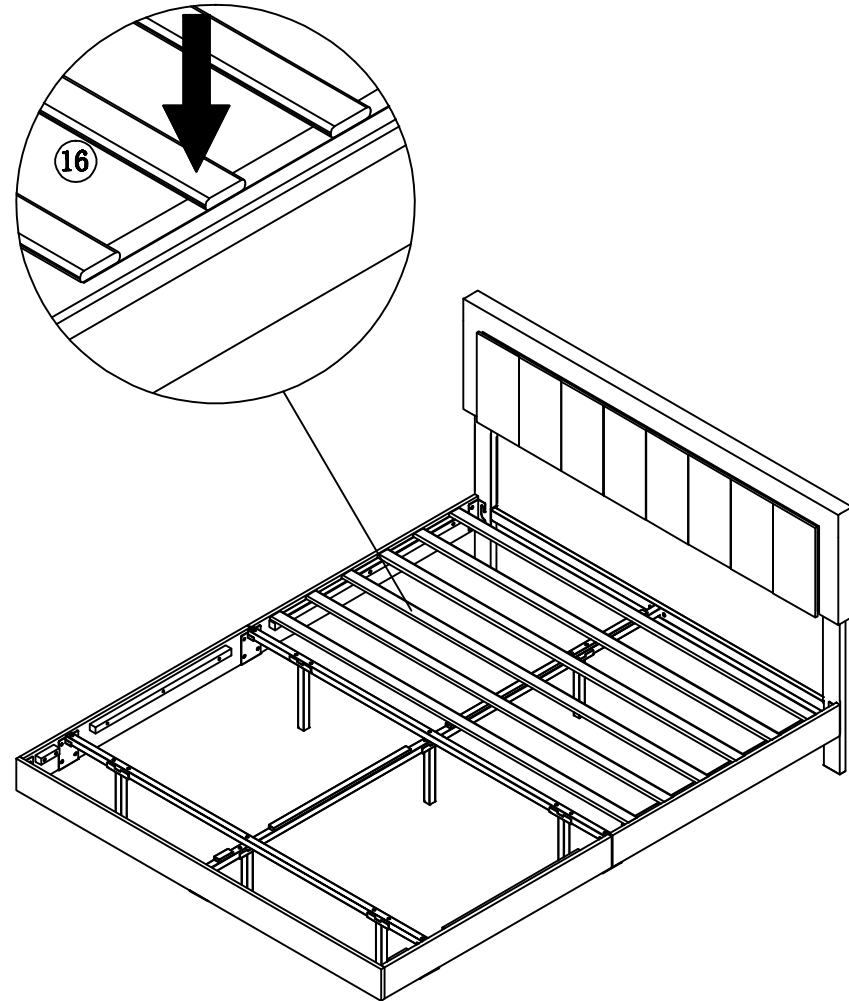
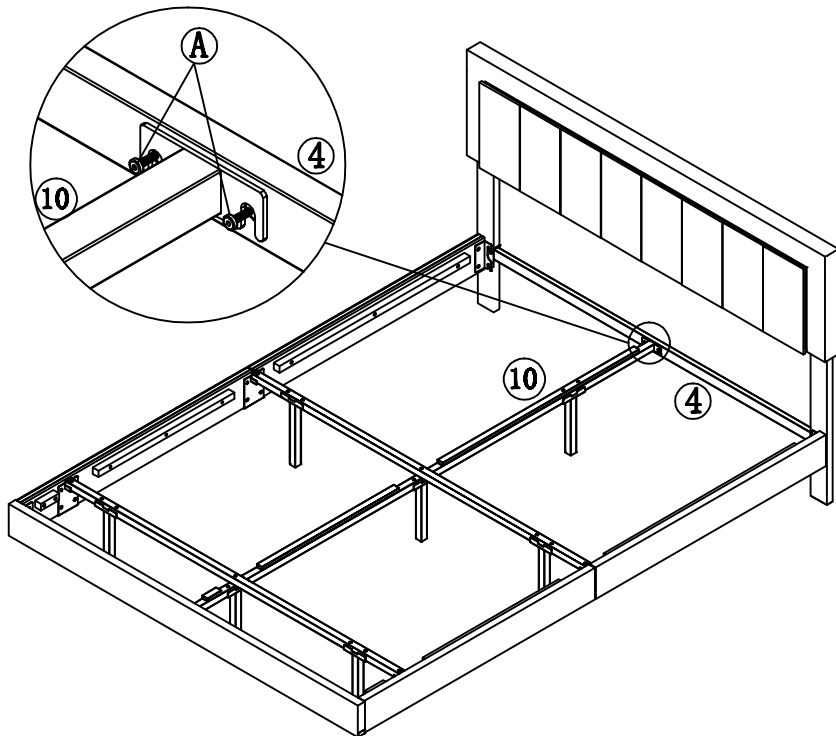


A		M8x15	4pcs
E			1pc

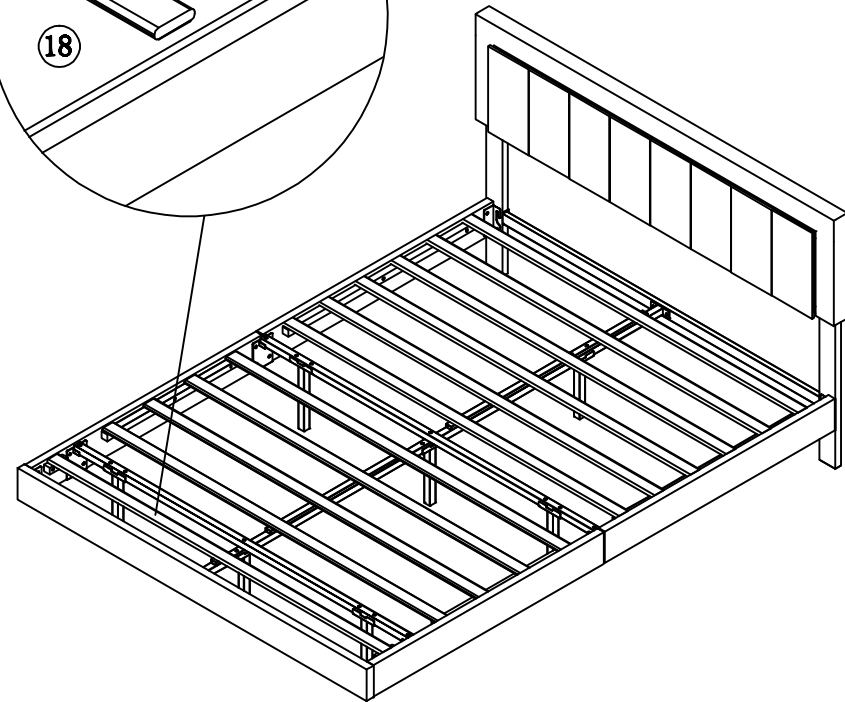
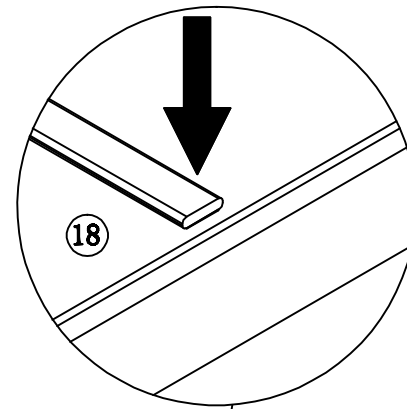
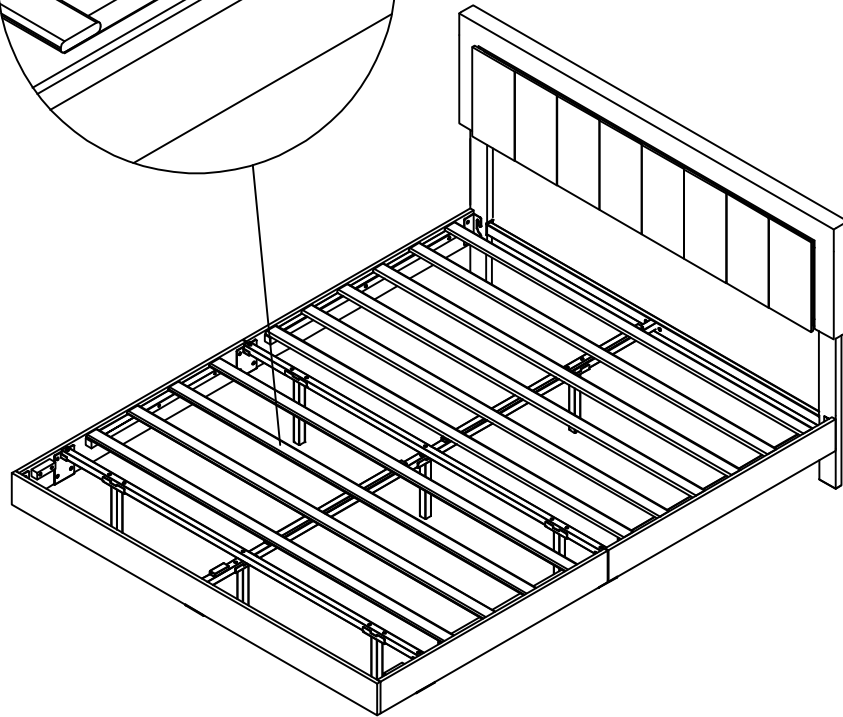
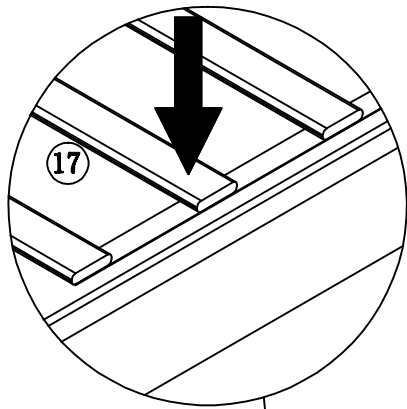


Assembly Instruction

A	 M8x15	2pcs
E		1pc



Assembly Instruction



Assembly Instruction

