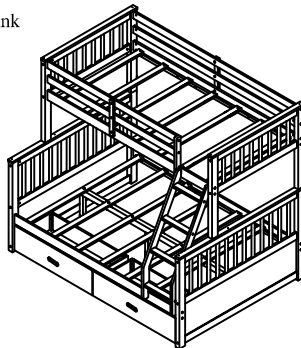


# ASSEMBLY INSTRUCTIONS

## TWIN FULL SIZE BUNK BED

### SAFETY WARNINGS

- This bed is designed for use only mattress(es) meeting the following specifications on the upper bunk, and lower bunk:
- | Bed Type             | Length    | Width   | Thickness |
|----------------------|-----------|---------|-----------|
| <i>Twin Standard</i> | 74" - 75" | 38 1/2" | 6" max    |
| <i>Full Standard</i> | 74" - 75" | 53 1/2" | 6" max    |
- Replacement parts, including additional guardrails, may be obtained from any of our GIGACLOUD TECHNOLOGY (USA) INC.
  - Follow the information on the warnings appearing on the upper bunk bed end structure and on the carton. Do not remove warning label from bed.
  - Always use the recommended size mattresses or mattress supports, or both, to help prevent the likelihood of entrapment or falls.
  - Surface of the mattress must be at least 5 in. (127 mm) below the upper edge of guardrails.
  - Do not allow children under 6 years of age to use the upper bunk.
  - Periodically check and ensure that the guardrail, ladder, and other components are in their proper position, free from damage, and that all connectors are tight.
  - Do not allow horseplay on or under the bed and prohibit jumping on the bed
  - Always use the ladder for entering and leaving the upper bunk.
  - Do not use substitute parts. Contact the manufacturer or dealer for replacement parts.
  - Use of a night light may provided added safety precaution for a child using the upper bunk.
  - Always use guardrails on both long sides of the upper bunk. If the bunk bed will be placed next to the wall, the guardrail that runs the full length of the bed should be placed against the wall to prevent entrapment between the bed and wall.
  - The use of water or sleep flotation mattresses is prohibited.
  - STRANGULATION HAZARD – Never attach or hang items to any part of the bunk bed that are not designed for use with the bed; for example, but not limited to, hook, belts and jump ropes.
  - Keep these instructions for future reference
  - We recommend assembling your bunk bed on a shipping carton to protect your floor or carpet
  - Be certain all staples are out of the box before beginning assembly on the shipping carton
  - Prohibit more than one person on upper bunk



### SAFETY WARNINGS AND GENERAL NOTES:

Follow the information on the warnings on the bunk bed end structure and on the carton. Do not remove the warning label from the bed. Always use the recommended size mattress on mattress support, or both, to help prevent the likelihood of entrapment or falls.

The top surface of the mattress must be at least 5\*inch (127mm) below the upper edge of the guardrail.

Do not allow children under 6 years of age to use the upper bunk.

Periodically check and ensure the guardrail, ladder and other components are in their proper position, free from damage, and all connectors are tight.

Do not allow horseplay on or under beds.

Always prohibit jumping on the bed.

Prohibit more than one person on upper bunk.

Always use the ladder for entering and leaving the upper bunk.

Do not use substitute parts. Contact the manufacturer or dealer for replacement parts.

Use of a night-tight may provide added safely precaution for a child using the upper bunk.

Always use guardrails on both long sides of the upper bunk.

If the bunk bed will be placed next to a wall, the guardrail that runs the full length of the bed should be placed against the wall to prevent entrapment between the bed and the wall.

The use of water or sleep flotation mattresses is prohibited.

STRANGULATION HAZARD- Never attach or hang items to any part of the bunk bed that are not designed for use with the bed.

Keep these instructions for future reference.

We recommend assembling your bunk bed on the shipping carton to protect your floor or carpet.

Be certain all staples are out of the box before beginning assembly on the shipping carton.

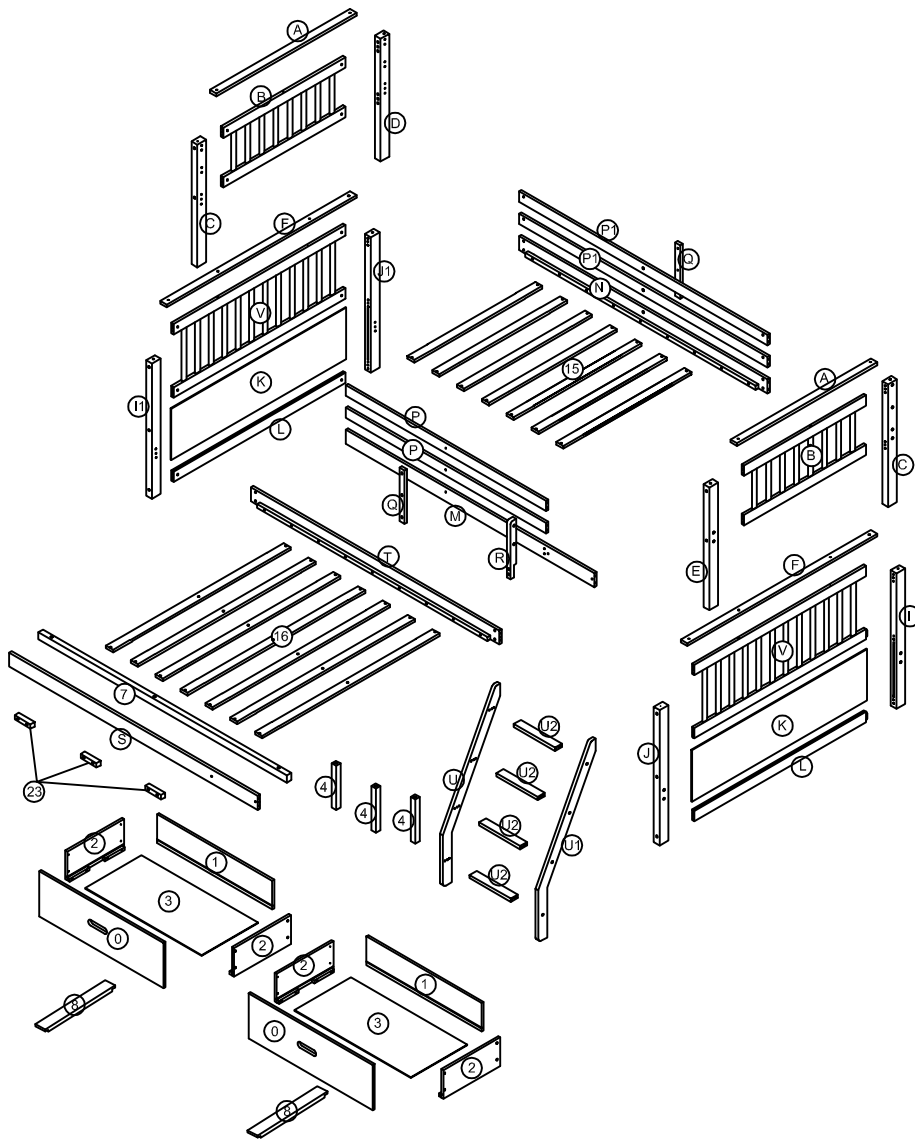
USE ONLY MATTRESSES WHICH ARE 74"-75" LONG AND 37 1/2" - 38 1/2" WIDE ON UPPER AND ON LOWER BUNKS. ENSURE THICKNESS OF MATTRESS DOES NOT EXCEED 6".

SURFACE OF MATTRESS MUST BE AT LEAST 5" (127MM) BELOW THE UPPER EDGE OF GUARDRAILS.

Replacement Parts:

Replacement Parts, including additional guardrails, may be obtained from any of our GIGACLOUD TECHNOLOGY (USA) INC.

### Detail View





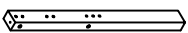

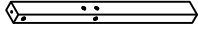

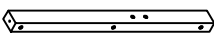
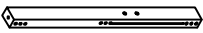
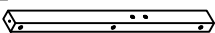


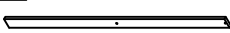
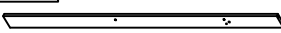

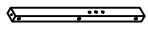

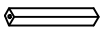

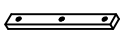

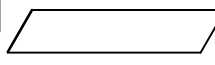

### Part List - Box

<b>A</b>  Cap for upper HB&FB-2pcs	<b>B</b>  Upper HB & FB - 2pcs	<b>0</b>  Drawer front - 2pcs
<b>V</b>  Lower HB/FB - 2pc	<b>L</b>  Horizontal bar - 2pcs	<b>2</b>  Drawer Left/Right - 4pcs
<b>3</b>  Drawer bottom - 2pcs	<b>1</b>  Drawer back - 2pcs	<b>8</b>  Center support drawer-2pcs
<b>15</b>  Upper slat - 7pcs	<b>16</b>  Lower slat - 7pcs	<b>23</b>  Wood block 3pcs

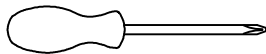
### Hardware List - Box WF286837

<b>10</b>  Ø10*30mm Wood dowel (80pcs)	<b>11</b>  (Ø15)1/4**110mm Hex-Head bolts (20pcs)	<b>12</b>  (Ø15)1/4**85mm Hex-Head bolts (22pcs)
<b>13</b>  (Ø12)1/4**35mm Hex-Head bolts (3pcs)	<b>14</b>  (Ø12)5/16**30mm Hex-Head bolts (6pcs)	<b>15</b>  4mm Allen key (1pc)
<b>16</b>  Ø1/4**15mm Horizontal-Hole bolts (24pcs)	<b>17</b>  Ø4*30mm Screws (38pcs)	<b>18</b>  Ø26mm Caster (8pcs)
<b>19</b>  Ø3*15mm Screws (20pcs)	<b>20</b>  Ø10*90mm Metal dowel (4pcs)	<b>21</b>  Ø4*25mm Screws (16pcs)
<b>22</b>  Ø5/16**50mm Hex-Head bolts (18pcs)	<b>24</b>  Ø1/4**65mm Hex-Head bolts (2pcs)	<b>25</b>  Ø1/4**30mm Hex-Head bolt (4pcs)
<b>26</b>  Hook (4pcs)	<b>27</b>  Foam stick (4pcs)	<b>28</b>  Screw (12pcs)

### Part List - Box



<b>U</b> 	<b>M</b> 	<b>C</b> 
Ladder (Left) - 1pc	Side rail upper (Front) - 1pc	Upper leg HB&FB (L/R)-2pcs
<b>D</b> 	<b>E</b> 	<b>F</b> 
Upper leg HB (Right) - 1pc	Upper leg FB (Right) - 1pc	Cap for lower HB&FB-2pcs
<b>J</b> 	<b>I</b> 	<b>J1</b> 
Lower leg FB (Right)-1pc	Lower leg FB (Left)-1pc	Lower leg FB (Right)-1pc
<b>N</b> 	<b>P1</b> 	<b>P</b> 
Side rail upper (Back) -1pc	Long guard rail-2pcs	Short guard rail-2pcs
<b>S</b> 	<b>T</b> 	<b>I1</b> 
Side rail lower (Front) -1pc	Side rail lower (Back) -1pc	Lower leg HB (Left)-1pc
<b>U2</b> 	<b>4</b> 	<b>U1</b> 
Step ladder - 4pcs	Center leg - 3pcs	Ladder (Right) - 1pc
<b>Q</b> 	<b>7</b> 	<b>K</b> 
Vertical guard rail - 2pcs	Center support rail-1pc	Side panel - 2pcs
	<b>R</b> 	
	Support guard rail - 1pc	

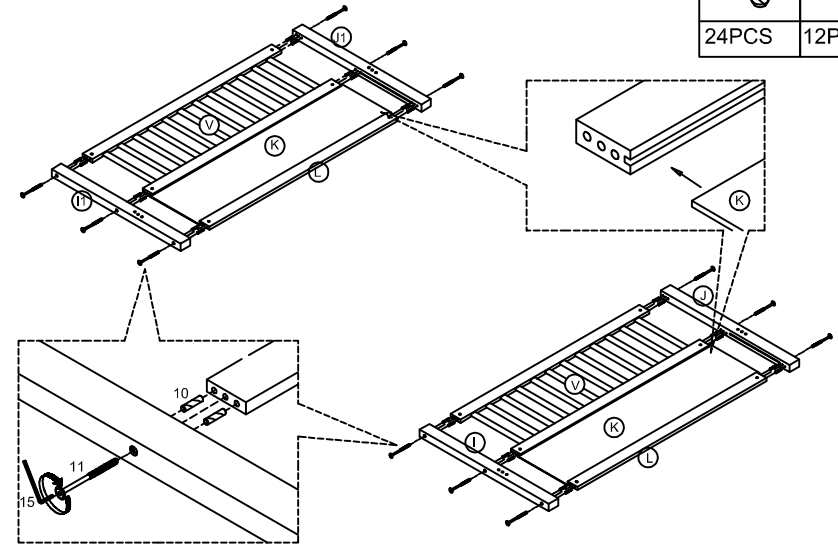
ASSEMBLY TOOLS REQUIRED ( NOT INCLUDED )




PLEASE BE CAREFUL DO NOT DAMAGE THE HOLE POSITION WHEN YOU USE POWER TOOLS !

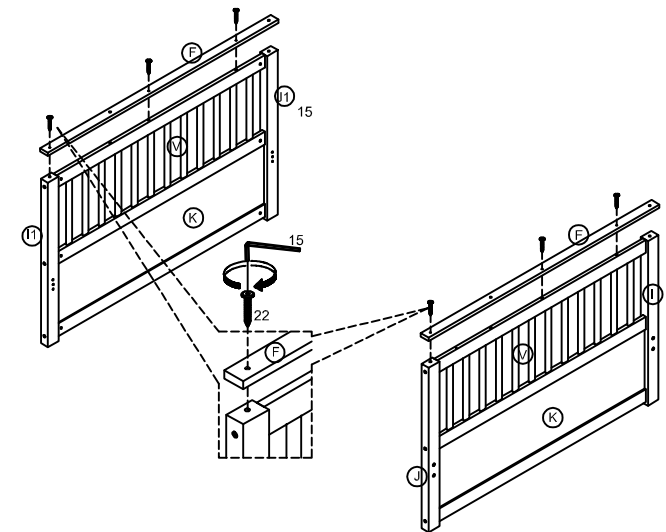
### STEP 1:

<b>10</b> 	<b>11</b> 
24PCS	12PCS

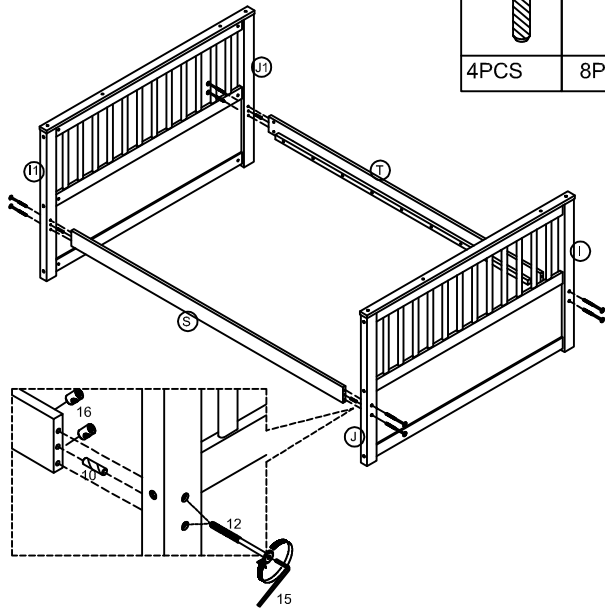


### STEP 2:

<b>22</b> 
6 PCS

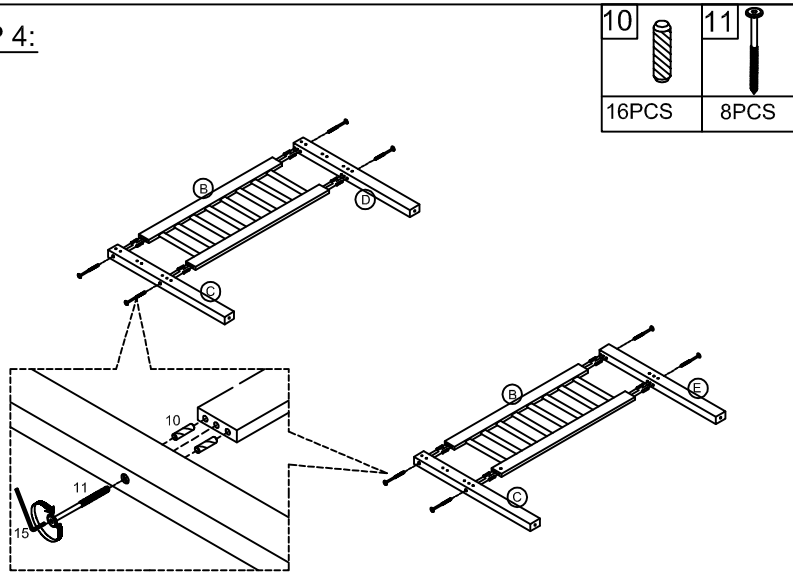


**STEP 3:**



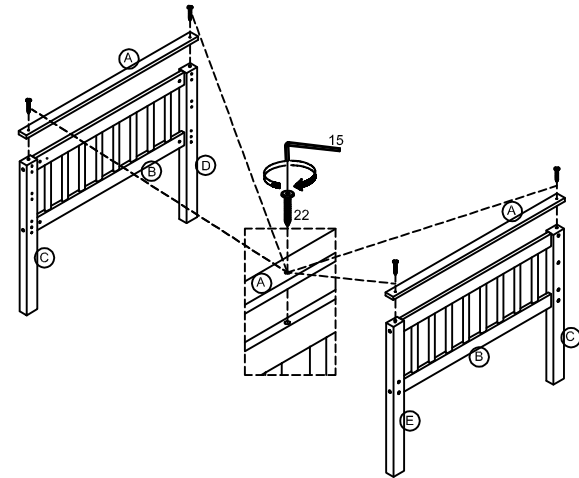
10	12	16
4PCS	8PCS	8PCS

**STEP 4:**



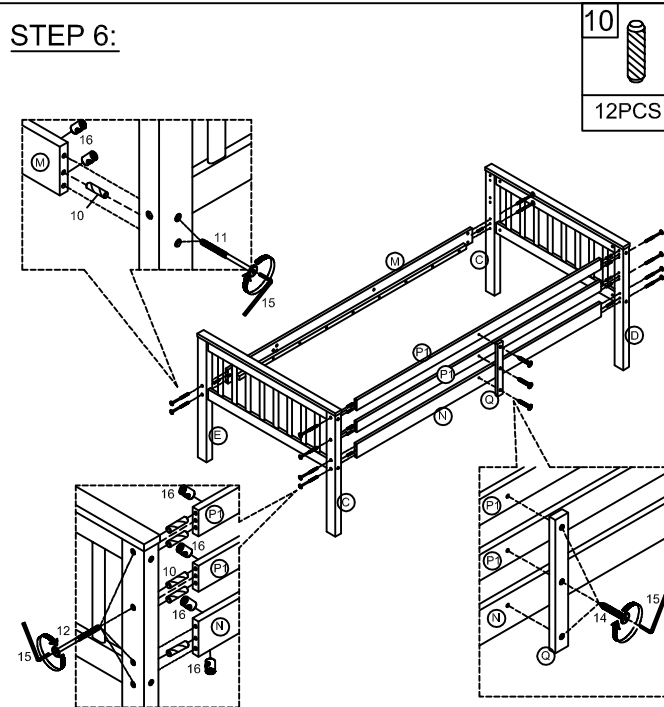
10	11
16PCS	8PCS

**STEP 5:**



22	
4PCS	

**STEP 6:**

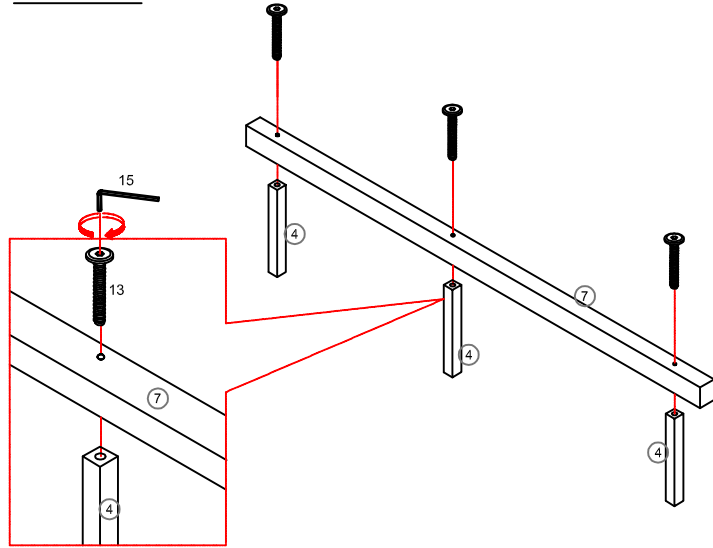


10	12	14
12PCS	12PCS	3PCS
16		
12PCS		

**ATTENTION:**  
PLEASE DON'T  
TIGHTEN ALL  
BOLTS IN THIS  
STEP , JUST  
TIGHTEN 80%



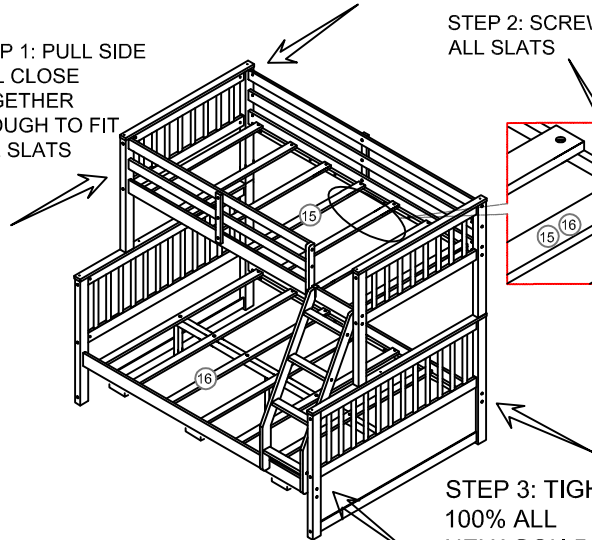
**STEP 11:**



13  
3PCS

**STEP 12:**

STEP 1: PULL SIDE RAIL CLOSE TOGETHER ENOUGH TO FIT THE SLATS



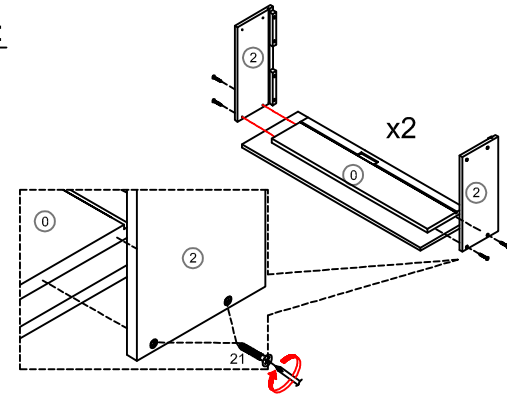
STEP 2: SCREW ALL SLATS

STEP 3: TIGHTEN 100% ALL HEXAGON BOLTS

17  
32PCS

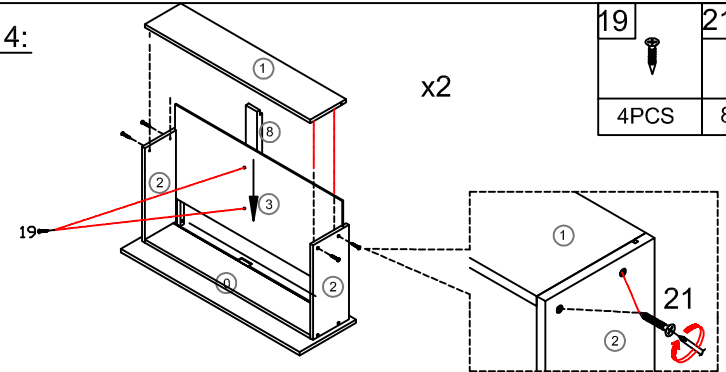
11

**STEP 13:**



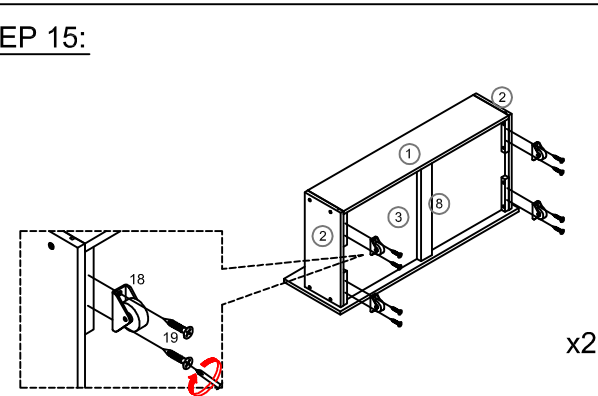
21  
8PCS

**STEP 14:**



19 21  
4PCS 8PCS

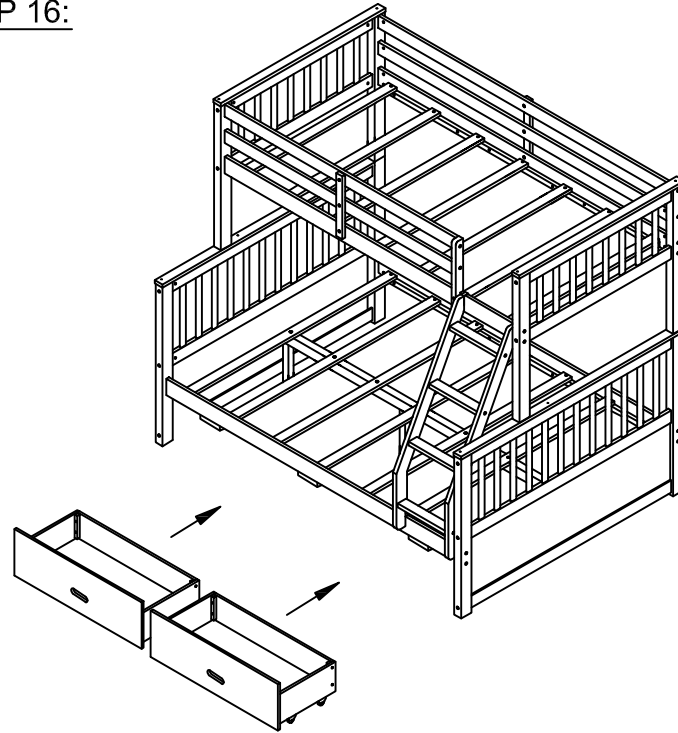
**STEP 15:**



18 19  
8PCS 16PCS

12

STEP 16:



COMPLETED

