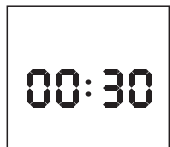
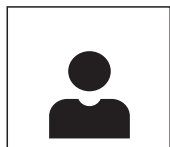


Assembly Instruction

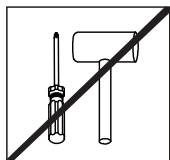
TV Entertainment Center with Storage Bins



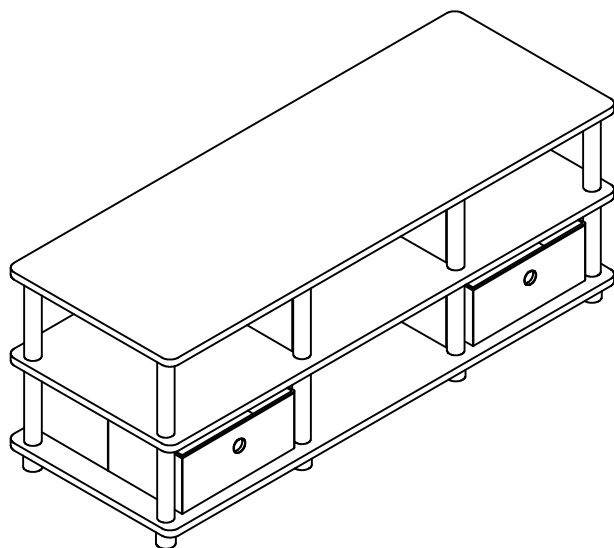
Approx. 30 minutes






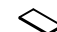
Recomm. 1 Person

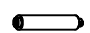








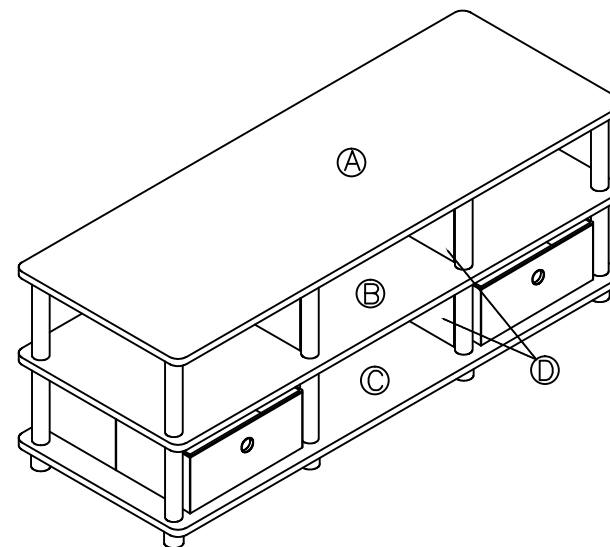
No Tools Required



HARDWARE & PART LIST

NO	PARTS LIST	QTY
A	TOP PANEL 	1pc
B	SHELF PANEL 	1pc
C	BOTTOM PANEL 	1pc
D	CENTER PANEL 	4pcs

NO	HARDWARE	QTY
1	SHORT ROUND POLE 	12pcs
2	ROUND LEG 	6pcs
3	PLUG LEG 	2pcs
4	ROUND RING 	6pcs
5	DOWEL M6 x 20mm 	8pcs
6	DOWEL M6 x 40mm 	4pcs
7	NON WOVEN BINS 	2pcs

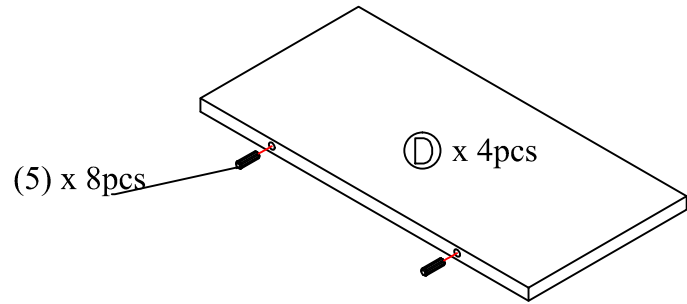


USEFUL HINTS BEFORE YOU START:

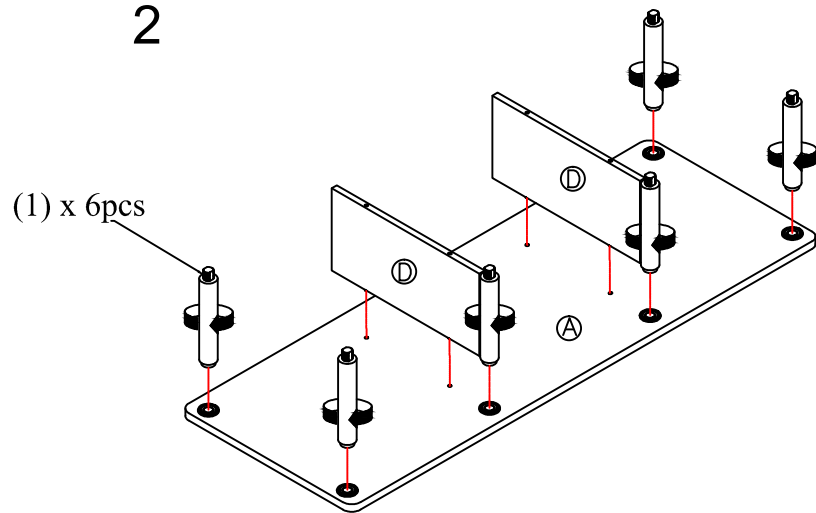
1. Read each step carefully before starting.
2. It is important that each step is performed in correct order to avoid difficulties.
3. Identify, sort and count the parts before assembly.
4. Assemble your furniture on packaging cardboard to prevent scratch or damage.
5. Clean the product with mild cleanser using soft damped cloth. Do not use harsh or abrasive cleanser.
6. Using incompatible hardware might cause damage to product.

ASSEMBLY INSTRUCTION

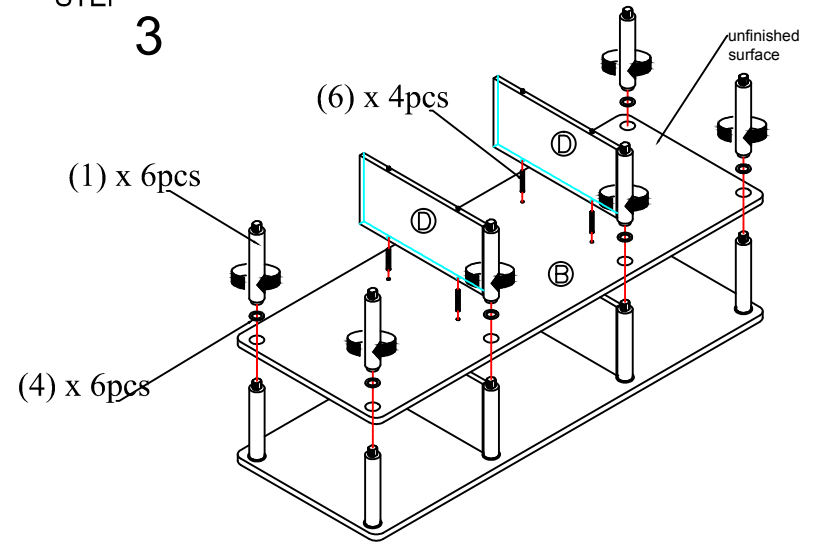
STEP 1



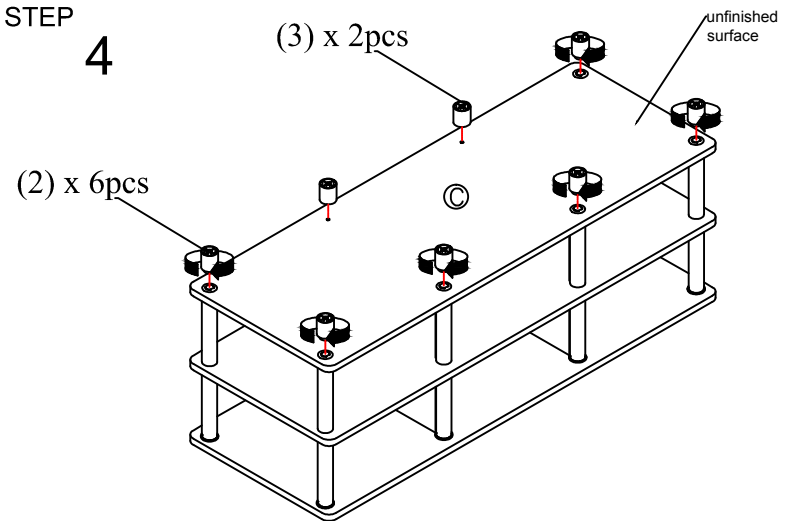
STEP 2



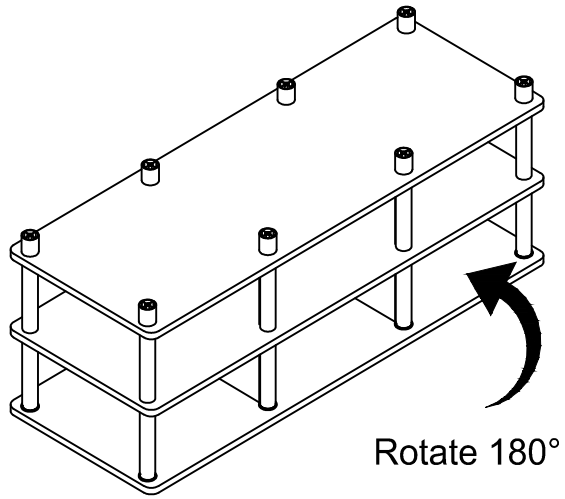
STEP 3



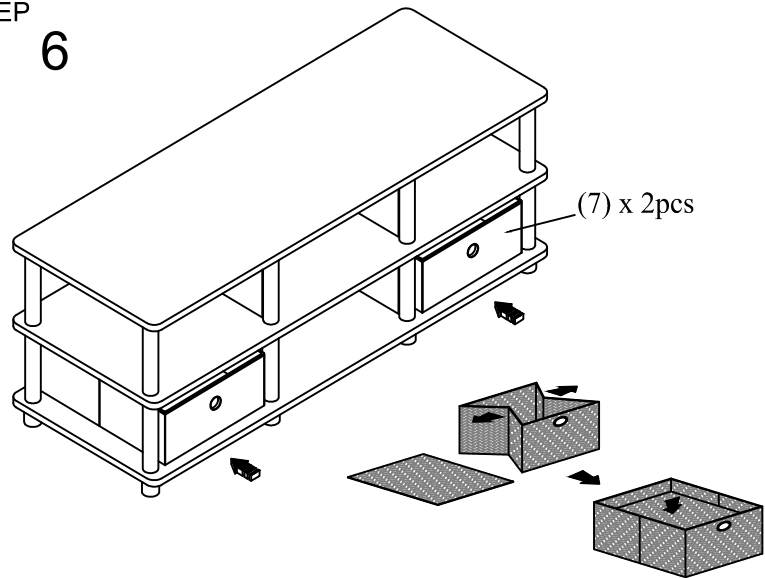
STEP 4



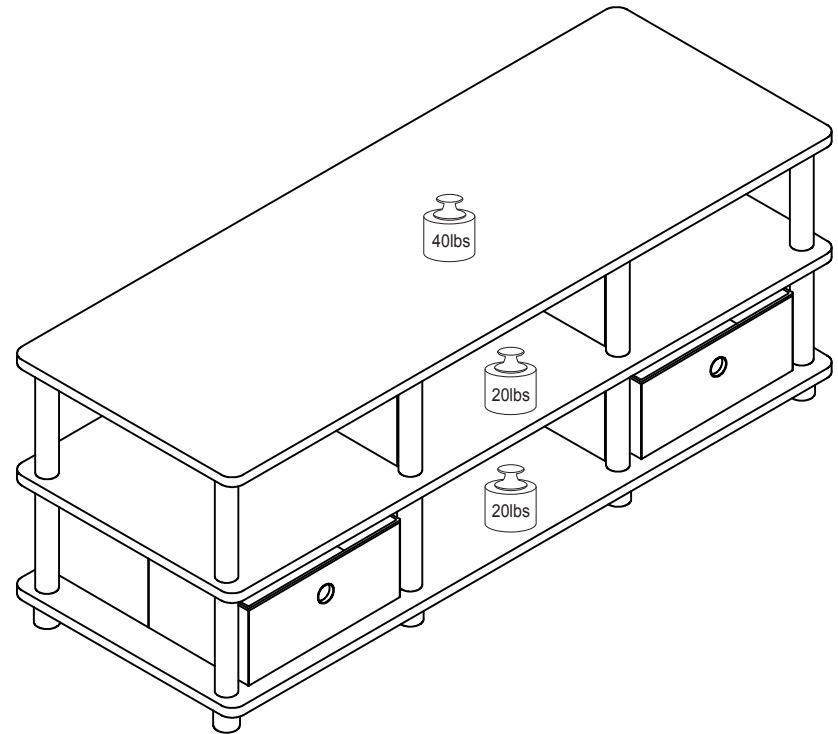
STEP
5



STEP
6



Recommended Maximum Weight



WARNING:

>This unit has been designed to support the maximum loads shown. Exceeding these load limits could cause sagging, instability, product collapse, and/or serious injury.

>DO NOT allow children to climb on unit.

>Put heavier items on lower shelves.