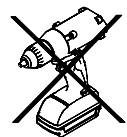
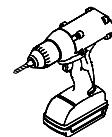
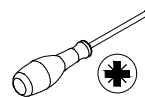
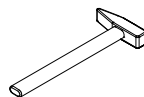
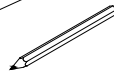
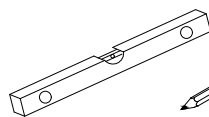
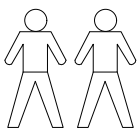
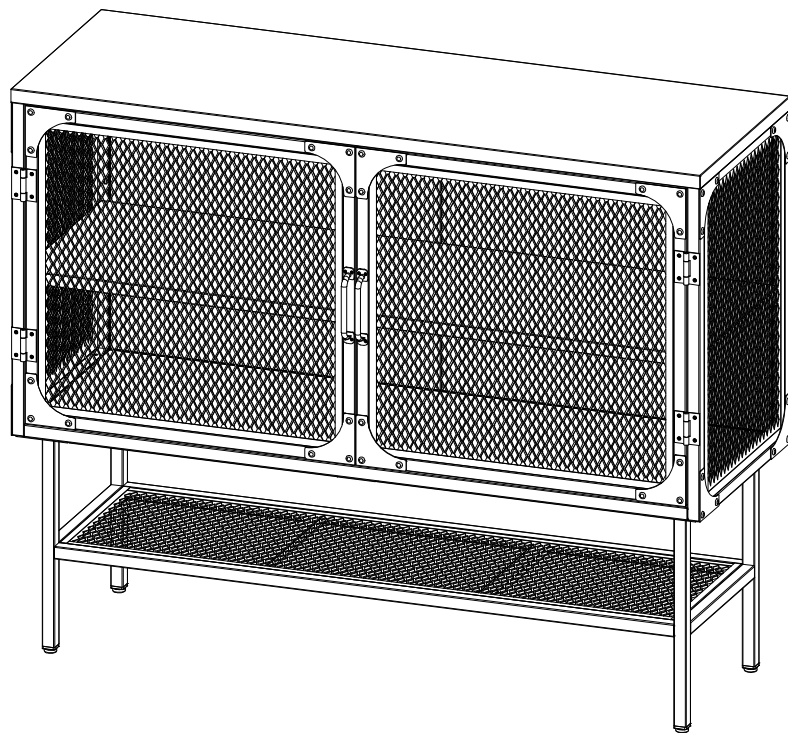
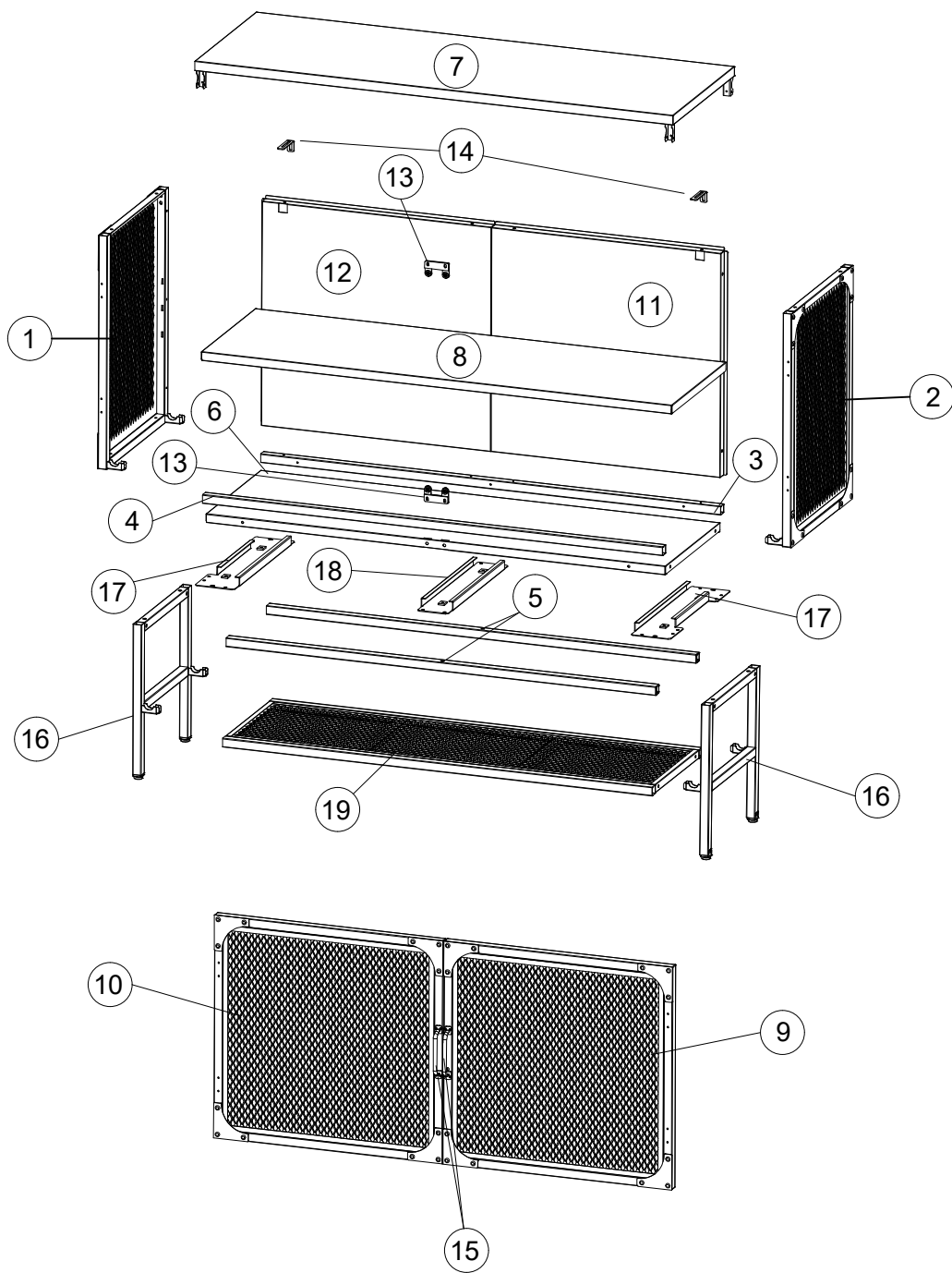


Assembly Instructions

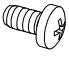
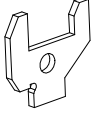
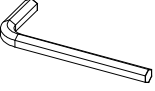



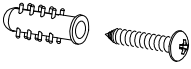

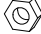






W68766565





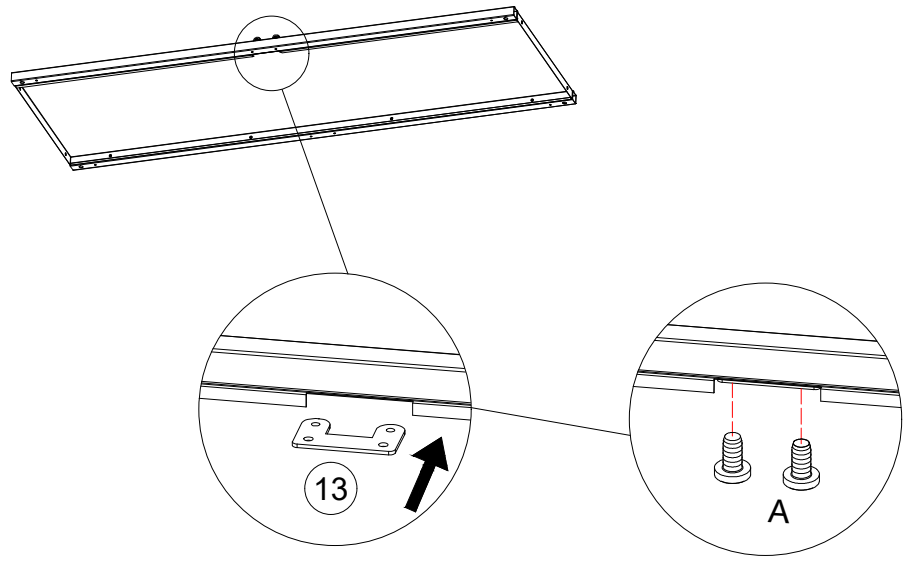
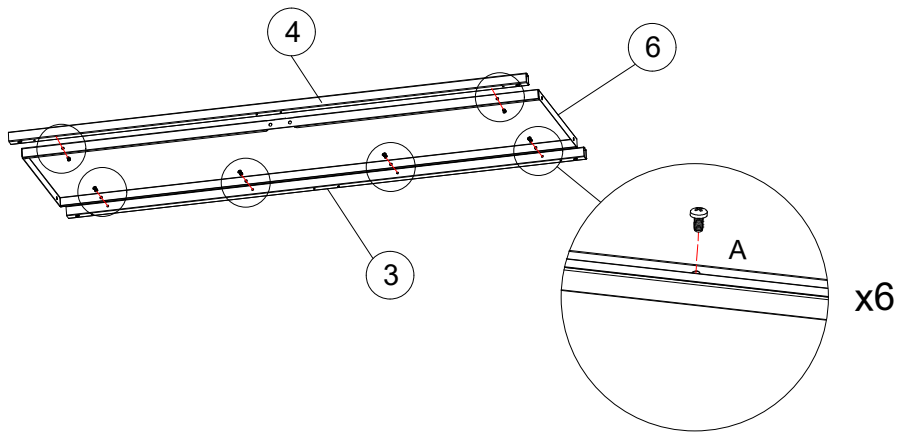
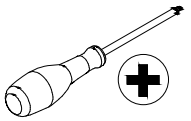
Box 1/1:

- (1) (2) (3) (4) (5) X2 (6) (7) (8) (9) (10) (11) (12)
 (13) X2 (14) X2 (15) X2 (16) X2 (17) X2 (18) (19)

<p>A × 63</p>  <p>M4x8mm</p>	<p>B × 4</p> 	<p>C × 1</p> 	<p>D × 4</p>  <p>M4x22mm</p>
<p>E × 4</p> 	<p>F × 8</p>  <p>M6x10mm</p>	<p>G × 2</p> 	
<p>H × 4</p>     <p>M3x8mm M3 T=3mm Ø3</p>		<p>I × 10</p>  <p>M6x30mm</p>	<p>13 × 2</p> 
<p>14 × 2</p> 	<p>15 × 2</p> 		

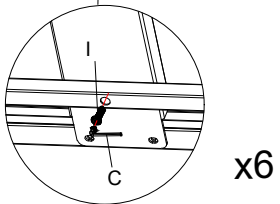
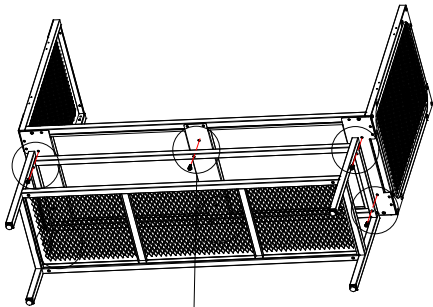
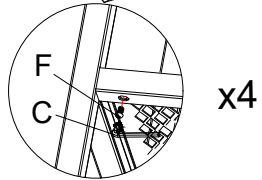
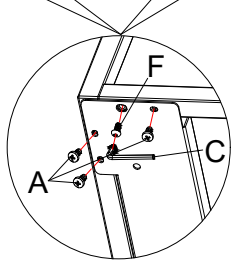
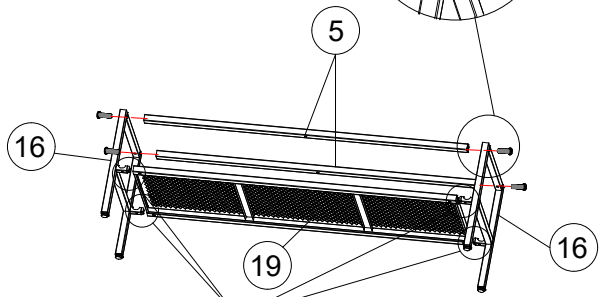
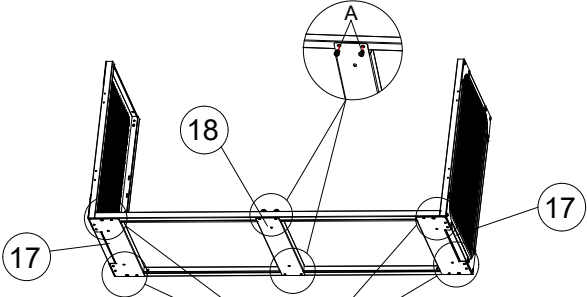
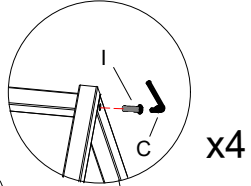
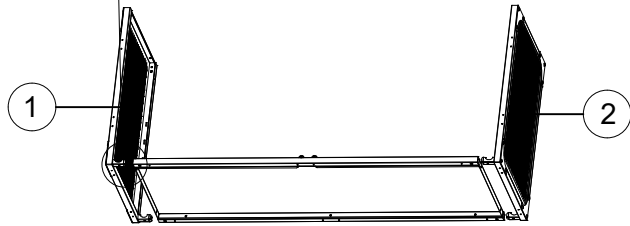
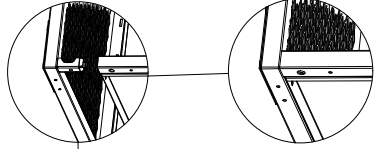
1

A x 8
M4x8mm




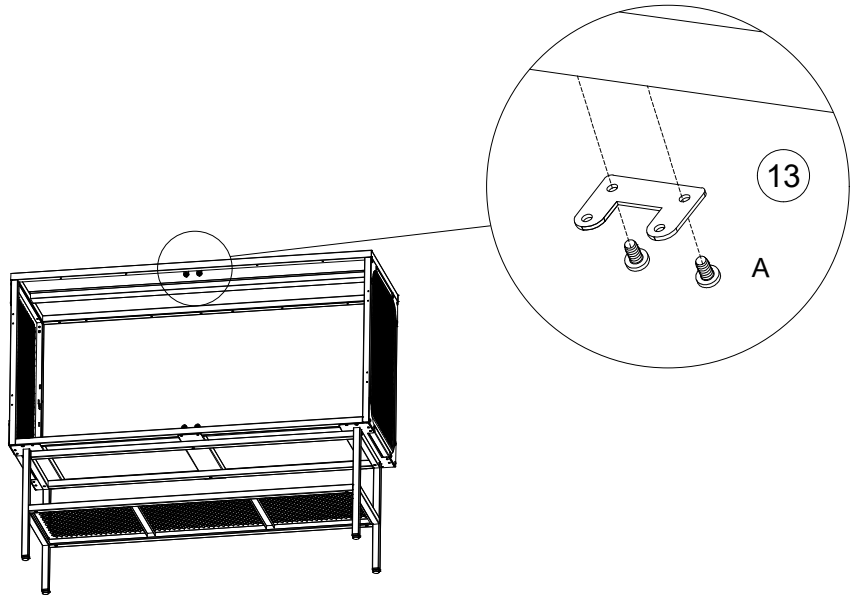
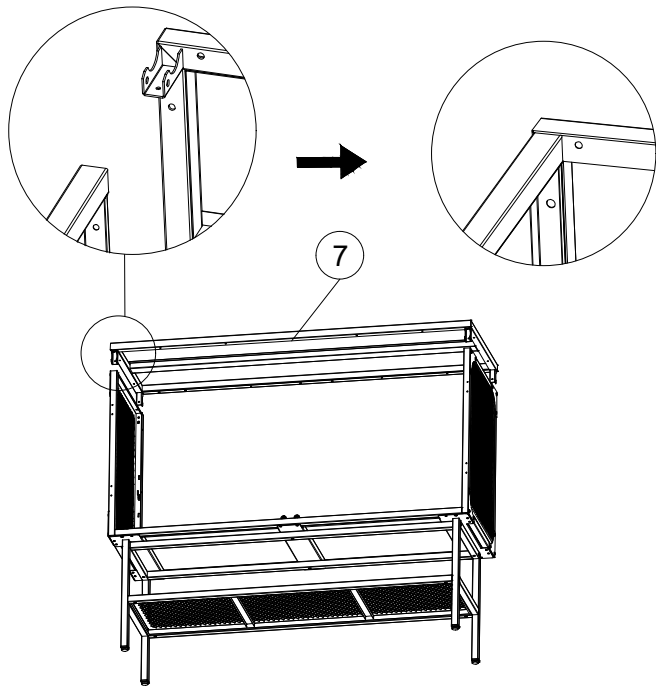
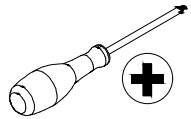
2

A x 16  M4x8mm	C x 1 	F x 8  M6x10mm	I x 10  M6x25mm	
-------------------------------------------------------------------------------------------------------	--------------------------------------------------------------------------------------------	-------------------------------------------------------------------------------------------------------	--------------------------------------------------------------------------------------------------------	-------------------------------------------------------------------------------------






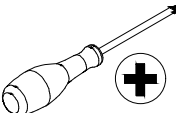



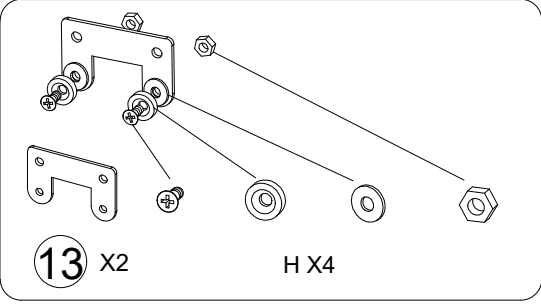
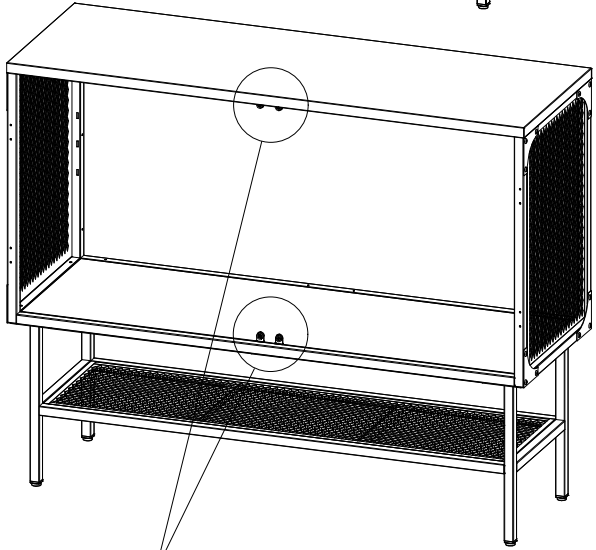
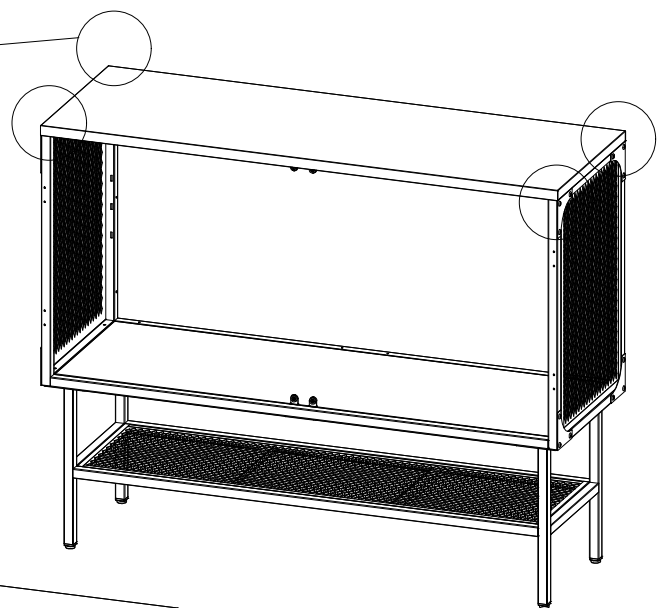
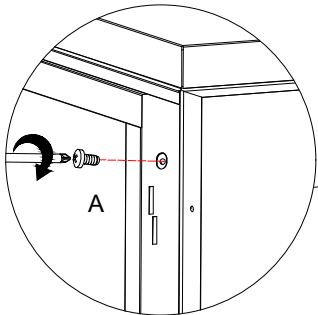
3

A x2

M4x8mm



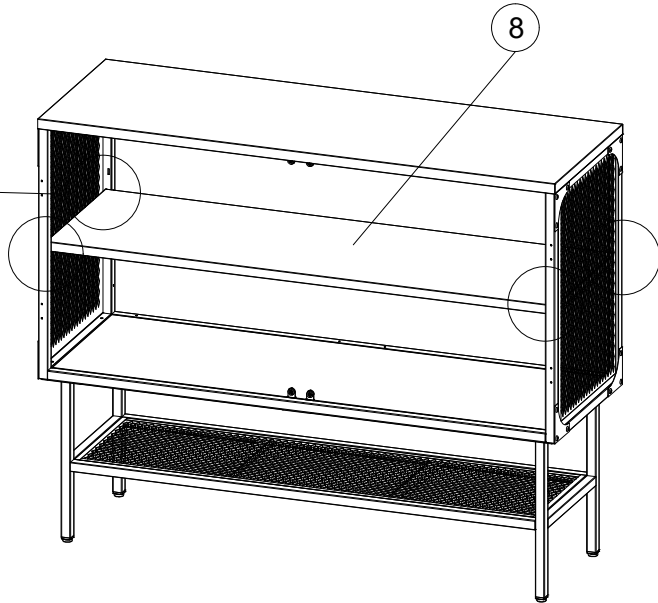
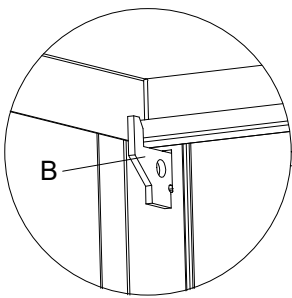
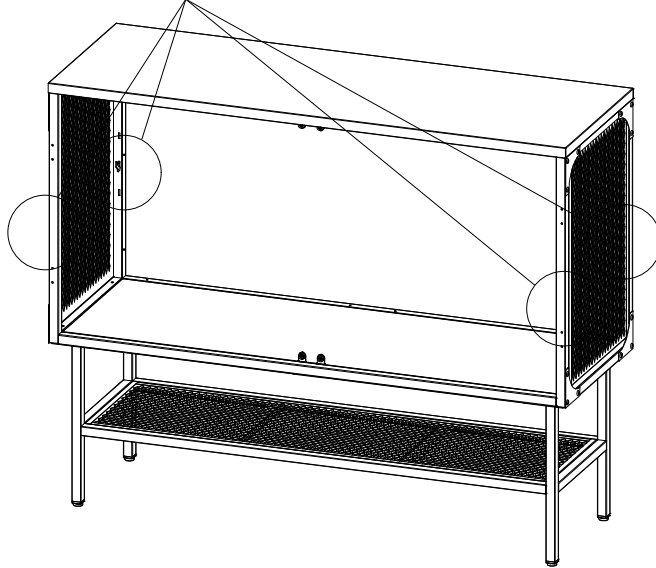
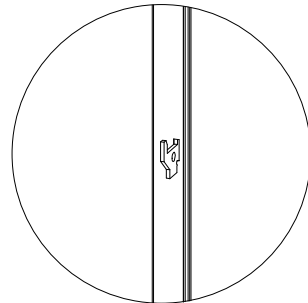
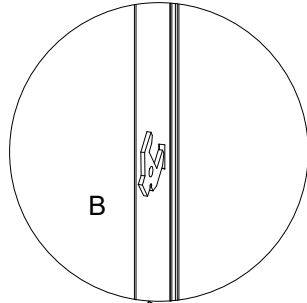
4

A x 4  M4x8mm	 M3x8mm	 M3	H x 4   T=3mm Ø3		 
------------------------------------------------------------------------------------------------------	---------------------------------------------------------------------------------------------	-----------------------------------------------------------------------------------------	------------------------------------------------------------------------------------------------------------------------------------------------------------------------------------------	--	-------------------------------------------------------------------------------------------------------------------------------------------------------------------------



5

B × 4

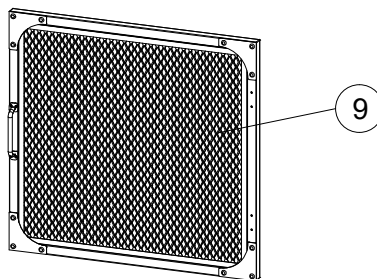
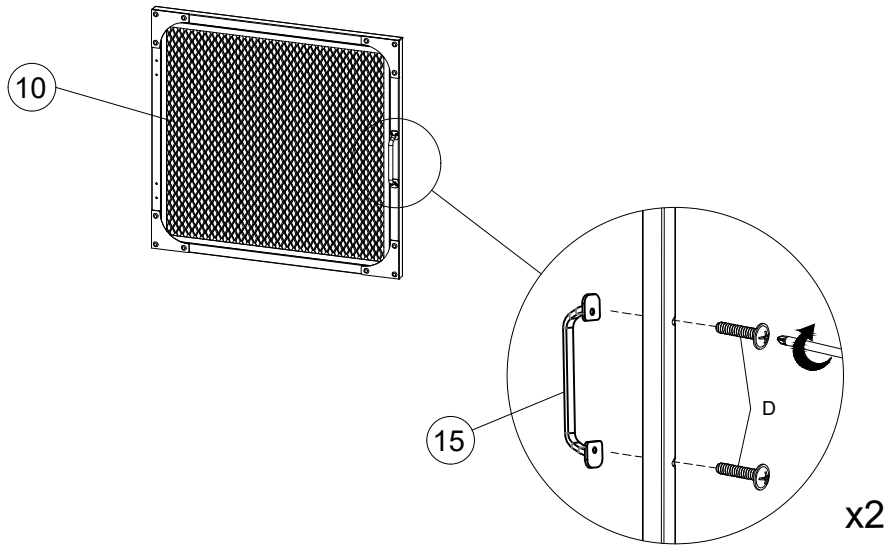
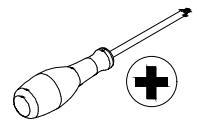


6



D × 4

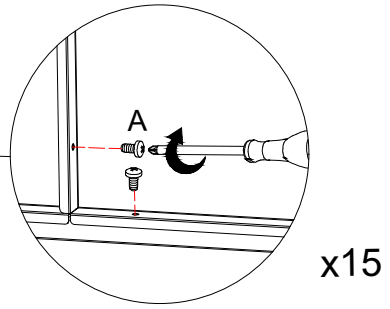
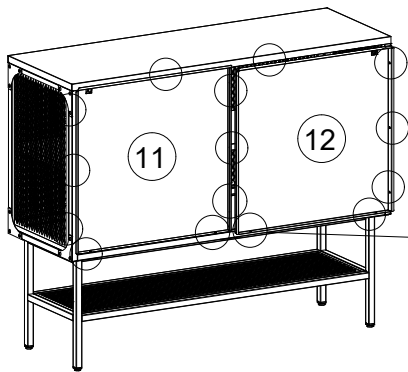
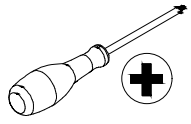


M4x22mm



7

A x 31  M4x8mm	E x 4 
-------------------------------------------------------------------------------------------------------	--------------------------------------------------------------------------------------------



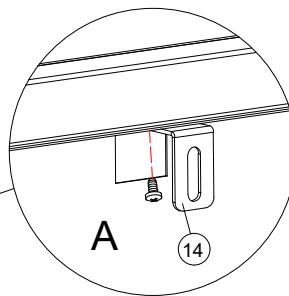
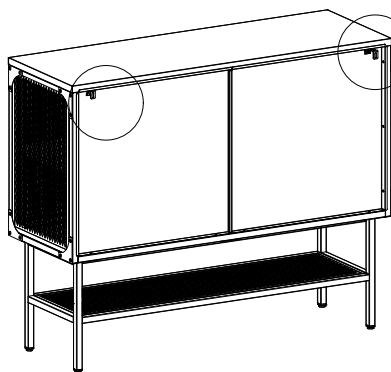
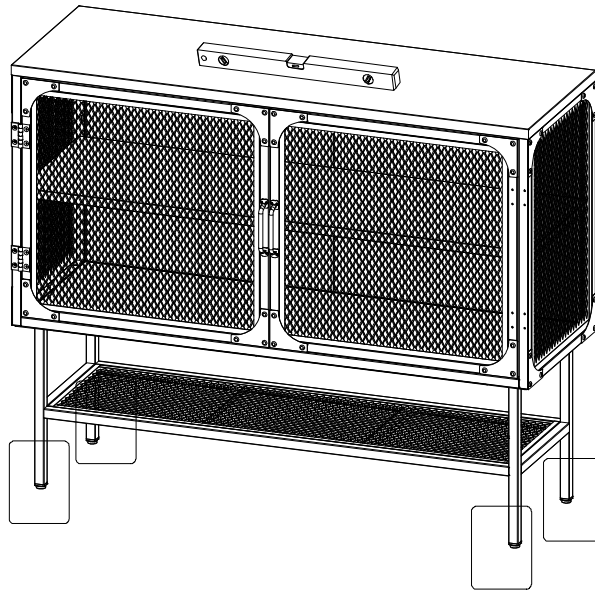
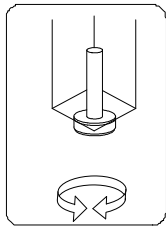
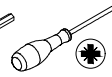
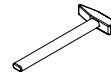
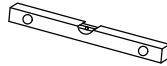
8

A x 2



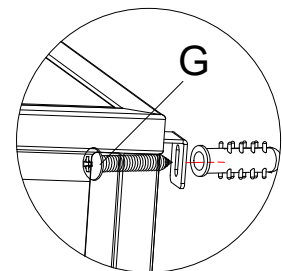
M4x8mm

G x 2

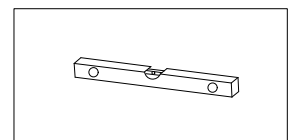
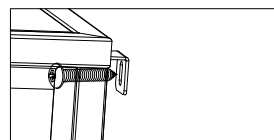
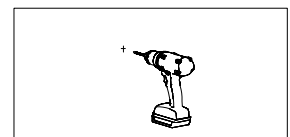
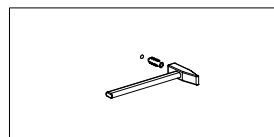


A

14



G



9

