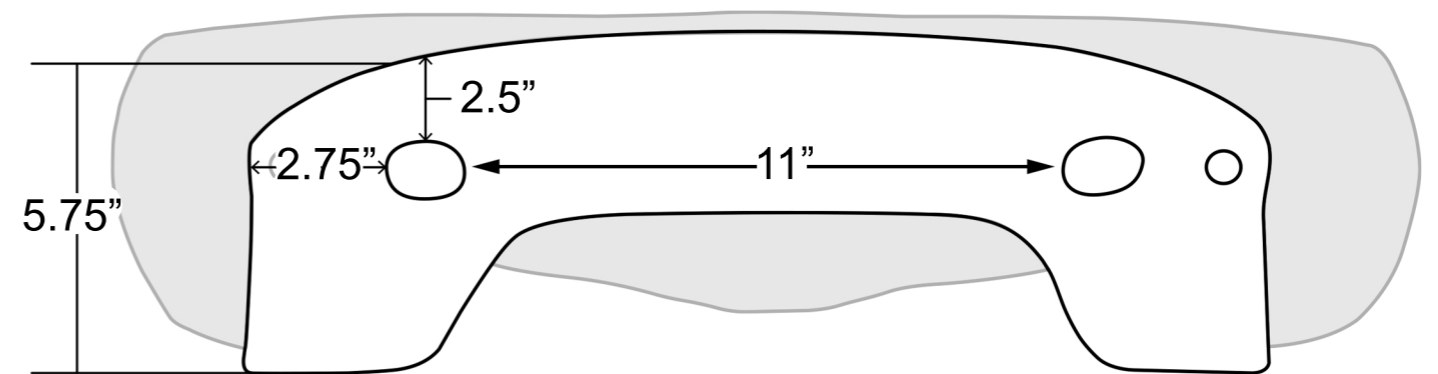
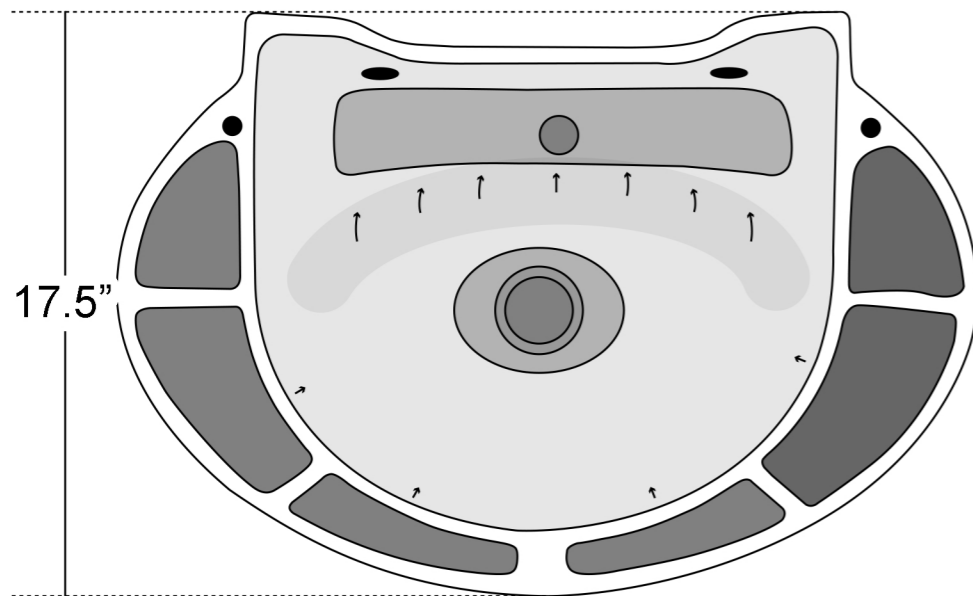
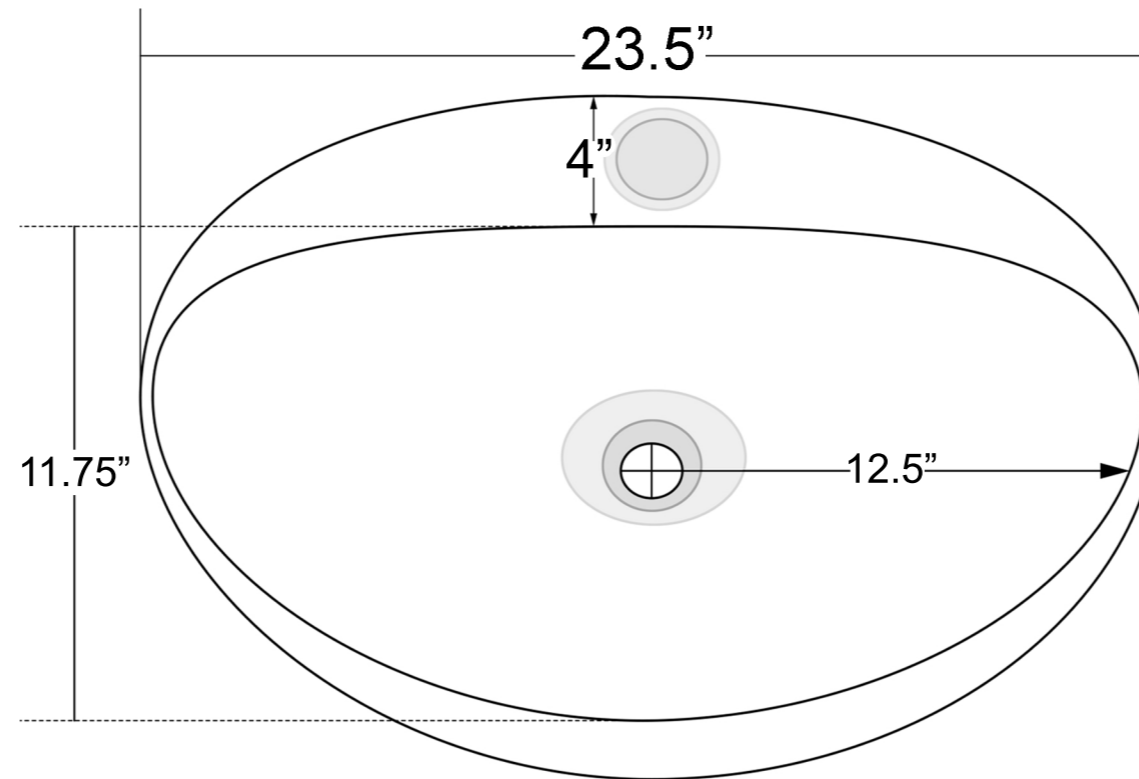


# CB-RC-WM-P



\* Measurements are approximate and may vary