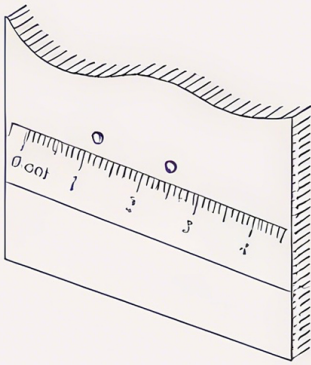
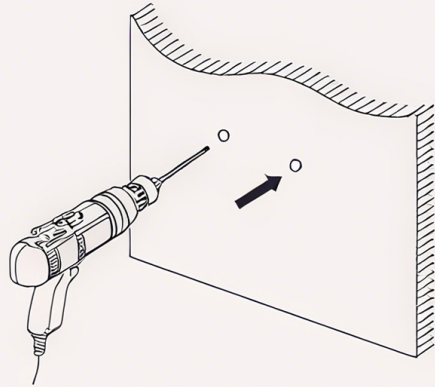


Installation Steps

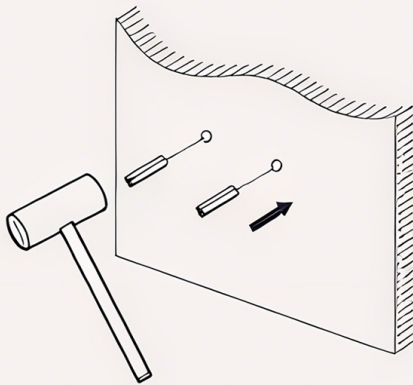
- 1 Determine the location and mark the position**



- 2 Choose the appropriate nail and drive it in**



- 3 Hang the picture and check the level**



- 4 Installation completed**

