

# LULANI

## Installation Instructions

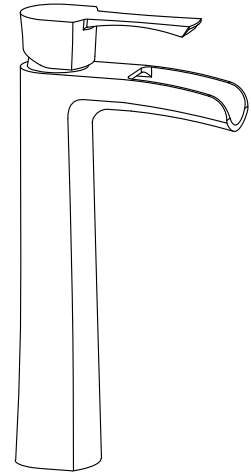
Barbados

BA-460-02

Single Handle Vessel Bathroom Faucet

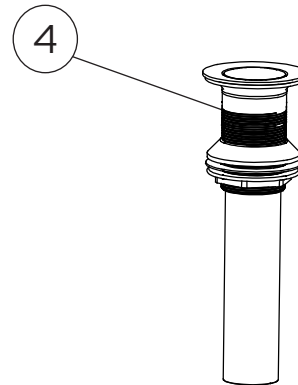
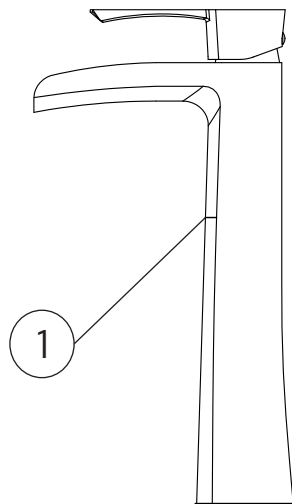
Thank you for selecting Lulani.


To ensure that your installation proceeds smoothly, please read these instructions carefully before you begin.



### Parts Included

1. Faucet
2. Above sink hardware: rubber O-ring
3. Below sink hardware: rubber washer, metal washer, mounting nut
4. Non over-flow pop-up drain



 **Note:** This faucet has been packaged with a NON over-flow pop-up drain. **DO NOT** use with an over-flow sink.

### Recommended Tools (not included)

- |                         |                    |
|-------------------------|--------------------|
| 1. Adjustable Wrench    | 6. Measuring Tape  |
| 2. Phillips Screwdriver | 7. Plumber's Putty |
| 3. Safety Goggles       | 8. Channel Locks   |
| 4. Flashlight           | 9. Allen Key       |
| 5. Plumber's Tape       |                    |



### Caution: Tips for removal of old faucet

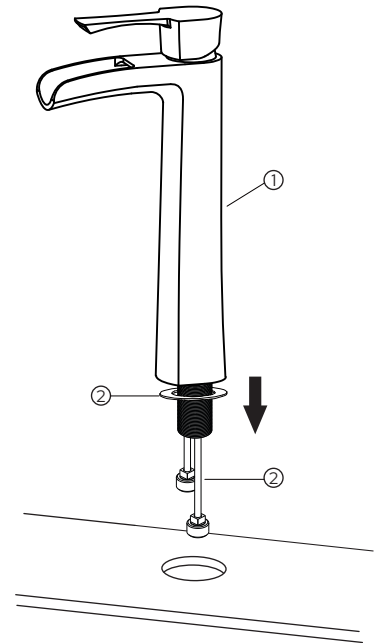
Always turn off the water supply before removing the existing faucet or replacing any part of the faucet. Open the faucet handle to relieve water pressure and ensure that water is completely shut off.

### Maintenance

Your new faucet is designed for years of trouble-free performance. Keep it looking new by cleaning it periodically with a soft cloth. Avoid abrasive cleaners, steel wool, and harsh chemicals as these will dull the finish and void your warranty.

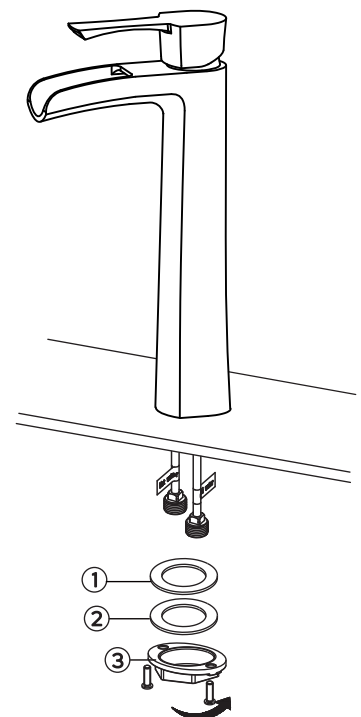
### Step 1

Place the faucet's (1) tail pipes (2) through the sink hole. Note that the rubber O-ring (3) should be between the faucet and the sink.



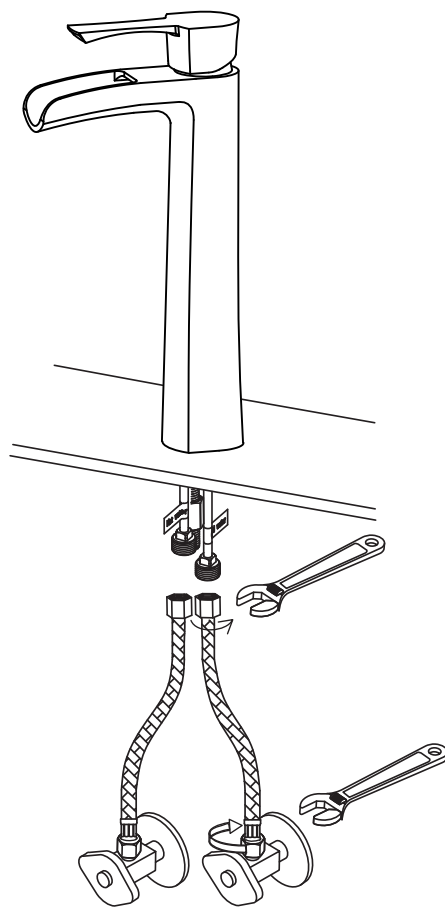
### Step 2

From under the sink, secure the faucet with the rubber washer (1), metal washer (2), and mounting nut (3). Use a Phillips screwdriver to secure the screws of the nut. Do not over tighten!



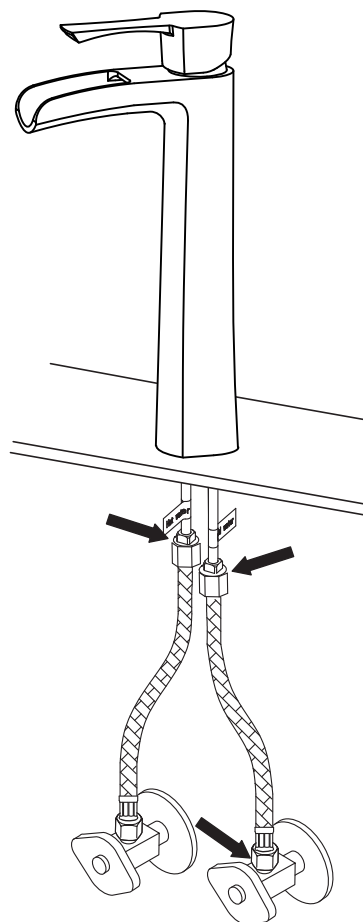
### Step 3

Connect the water supply lines to the faucet's tail pipes and to the water valves. Tighten each end with an adjustable wrench. **Do not over tighten!**



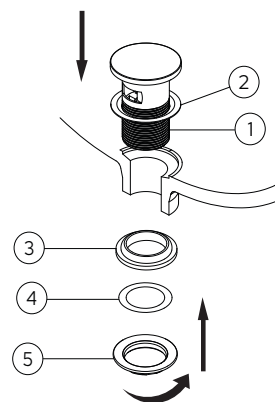
### Step 4

Check all connections (shown with arrows in the image) for leaks. Re-tighten if necessary.

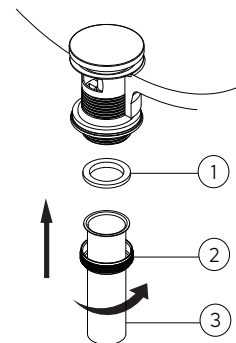


### Step 5

From the top of the drain hole, place the rubber gasket (2) on to the drain (1). Then insert through the installation hole. From under the drain hole, the rubber gasket (3), plastic washer (4), and metal nut (5) will be installed.

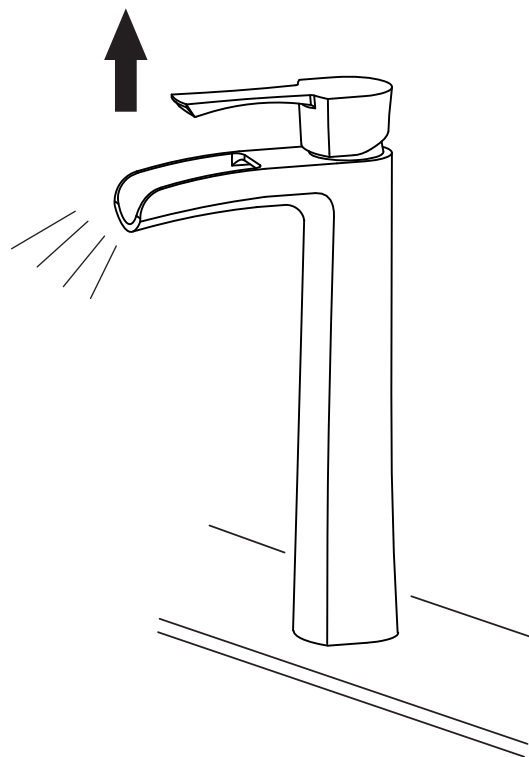


Install the non-threaded side in to the wall plumbing. Then, bring the tail pipe up to connect to the drain. Slide the rubber gasket (1) and metal gasket (2) over the threads of the drain body (3) and hand tighten. Do not over tighten.



### Step 6

Turn the faucet handle all the way on, turn on the hot and cold water supply and flush water lines for one minute. This will help to flush out any possible debris.



Congratulations! You've successfully finished installing your new faucet. For troubleshooting questions or concerns, please reference the Owner's Manual or visit our website at [www.lulani.com](http://www.lulani.com).

We value your opinion! Don't forget to leave us a review.