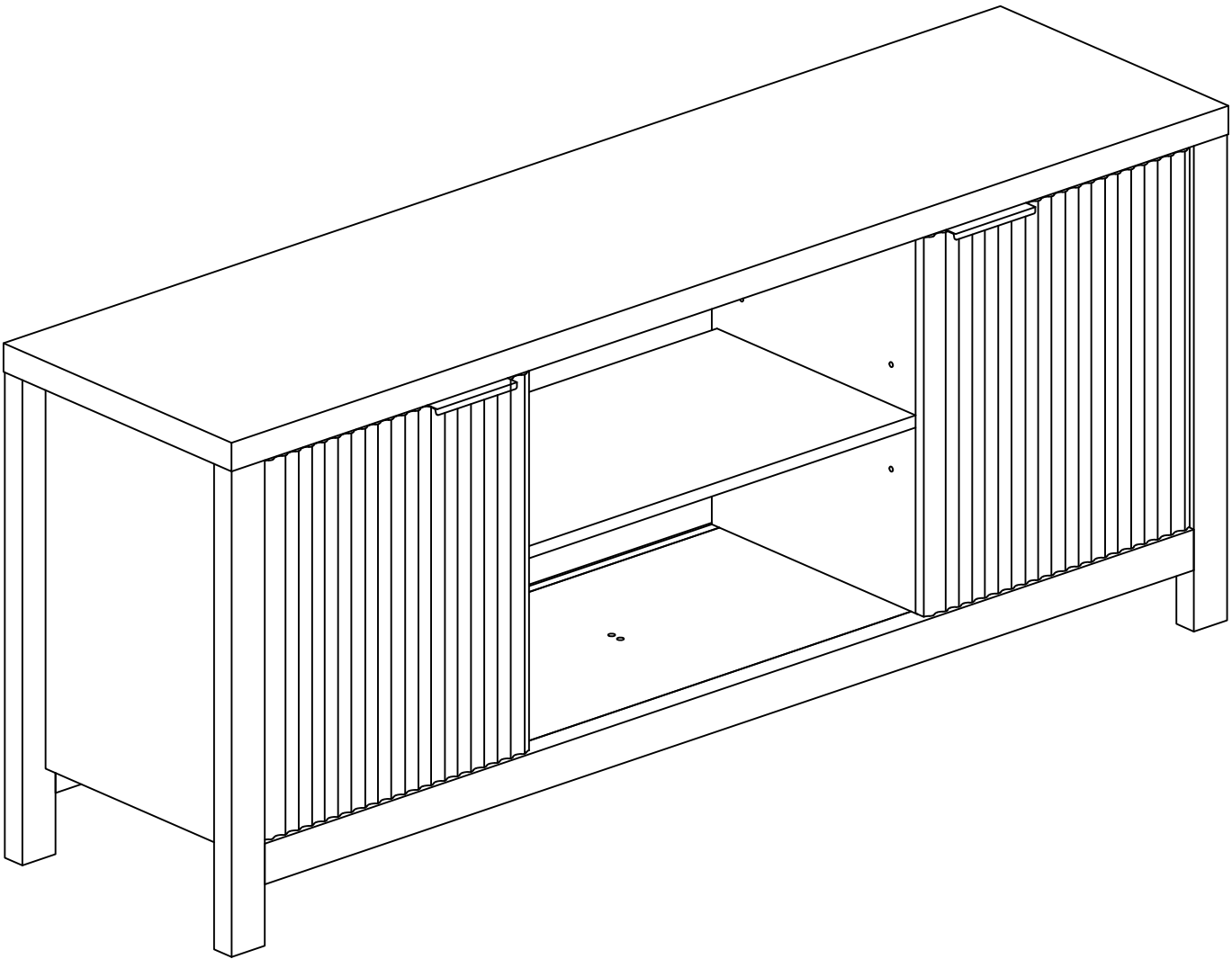
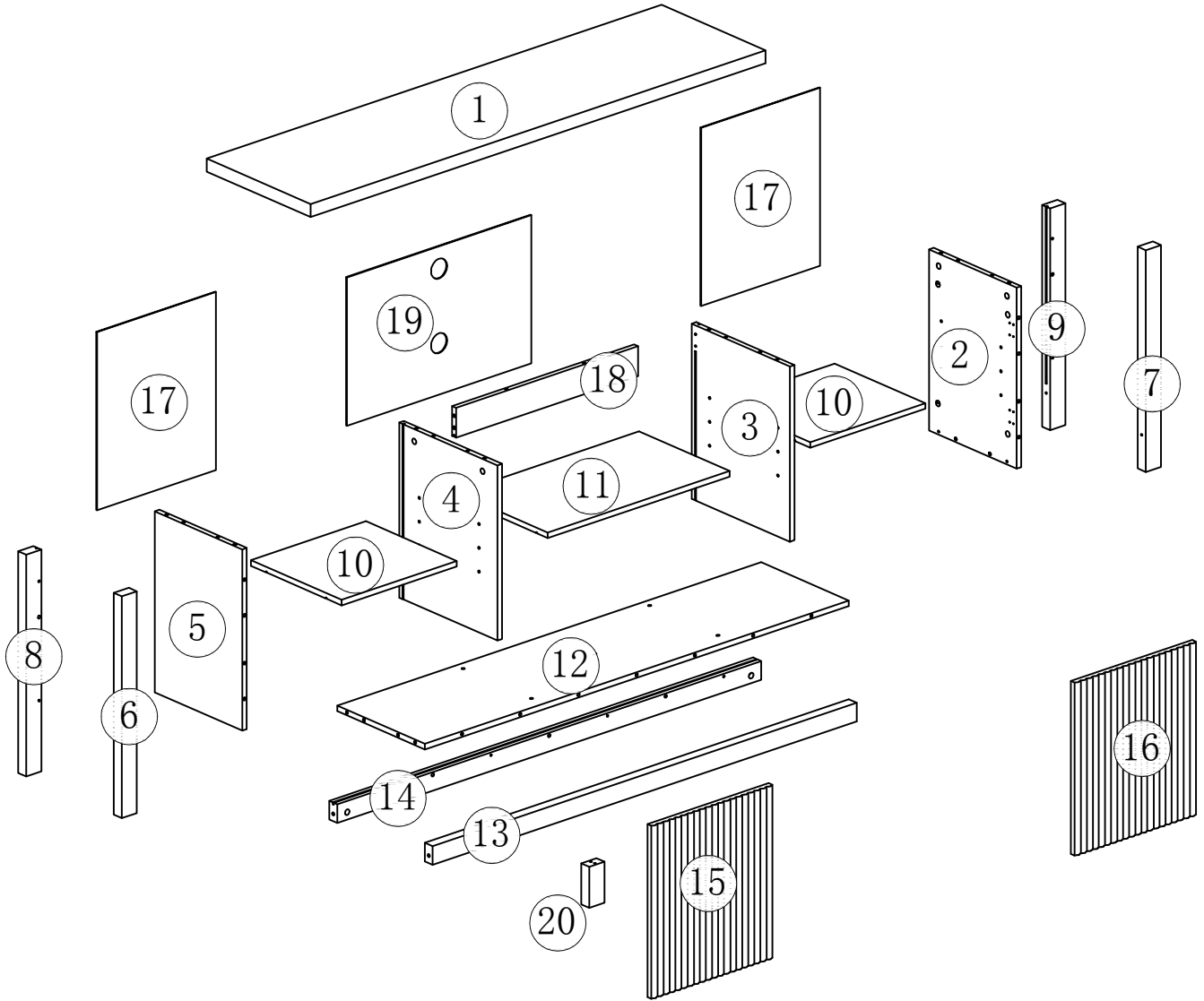


tv cabinet



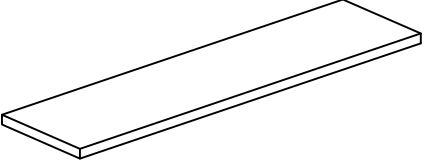
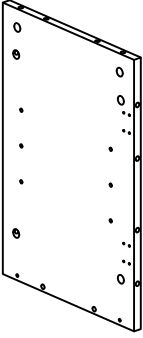
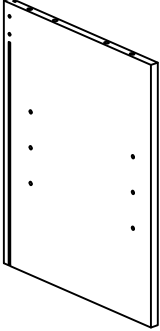
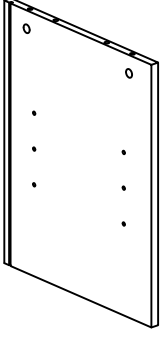
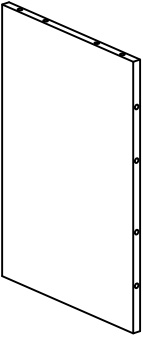




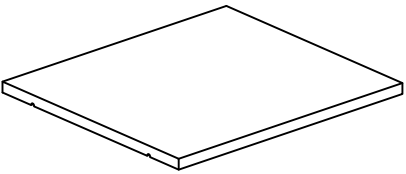
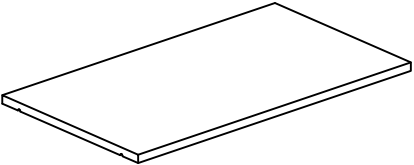
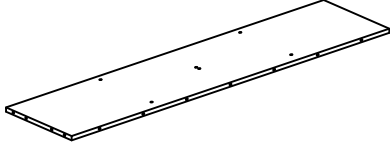
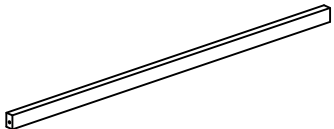
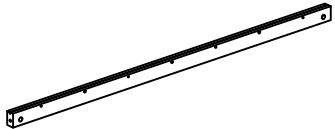
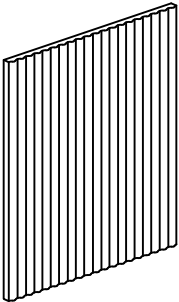
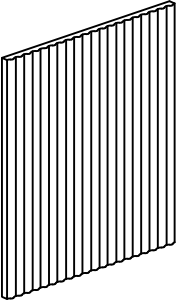


ASSEMBLY INSTRUCTION



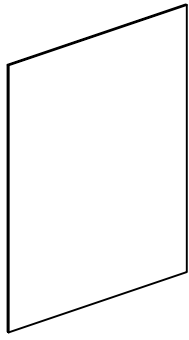
No.	PICTURE	SIZE	QTY	No.	PICTURE	SIZE	QTY					
A	∇11	⊕	ST6*40	38	G	X1	X1	ST3.5*14	12			
B	⊕	ST3.5*14	28	H					12			
C				2	J	J1 X2	J2 X2	J3 X2	J4 X2	J5 X1		2
D		8*35	26								1	
E		ST7*40	6		4#						1	
F			4								1	
											1	

ASSEMBLY INSTRUCTION

<p>①</p>  <p>X1</p>	<p>②</p>  <p>X1</p>	<p>③</p>  <p>X1</p>	
<p>④</p>  <p>X1</p>	<p>⑤</p>  <p>X1</p>	<p>⑥</p>  <p>X1</p>	
<p>⑦</p>  <p>X1</p>	<p>⑧</p>  <p>X1</p>	<p>⑨</p>  <p>X1</p>	
<p>⑩</p>  <p>X2</p>	<p>⑪</p>  <p>X1</p>	<p>⑫</p>  <p>X1</p>	
<p>⑬</p>  <p>X1</p>	<p>⑭</p>  <p>X1</p>	<p>⑮</p>  <p>X1</p>	<p>⑯</p>  <p>X1</p>

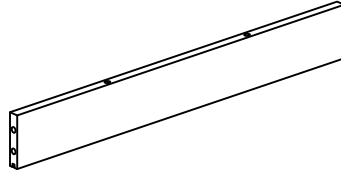
ASSEMBLY INSTRUCTION

17



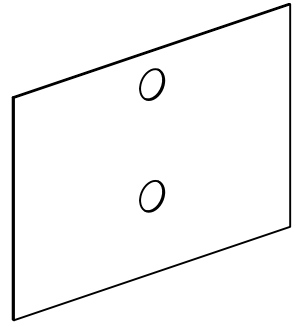
X2

18



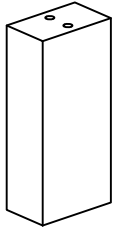
X1

19



X1

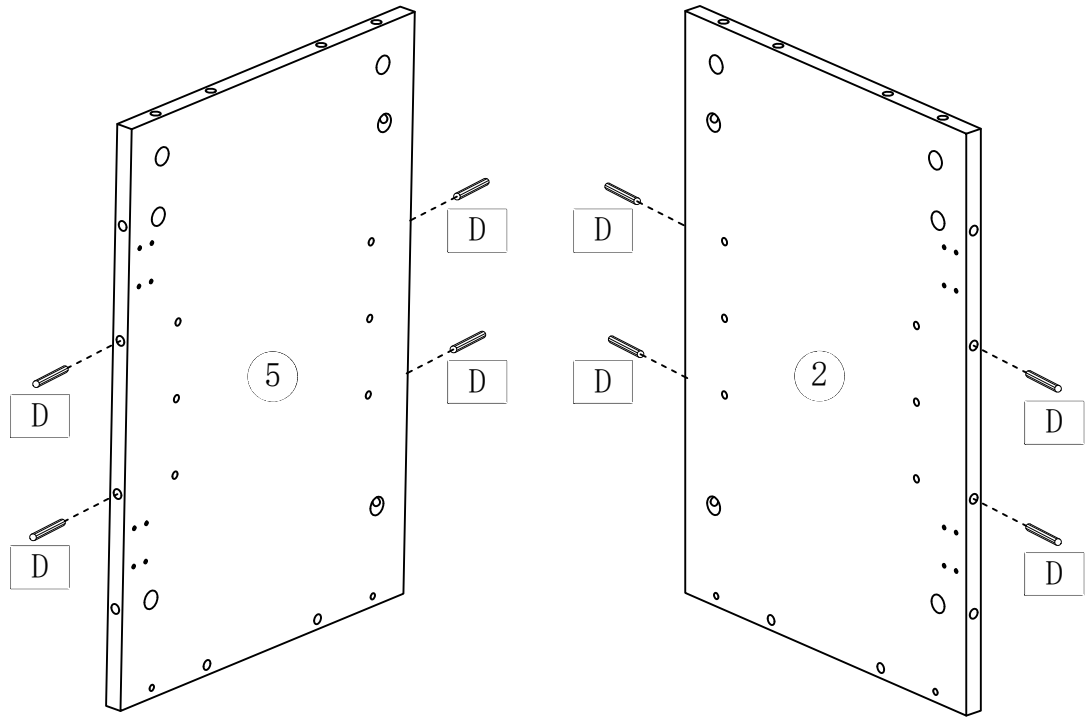
20




X1

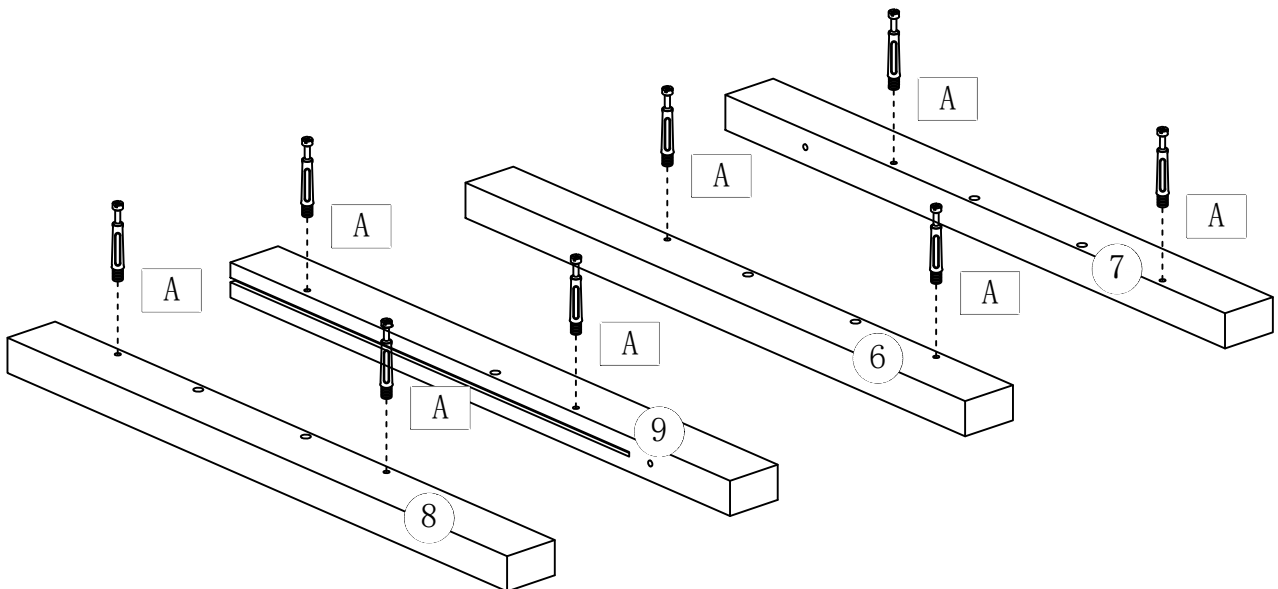
ASSEMBLY INSTRUCTION


STEP 1



D	8*35
	
X8	

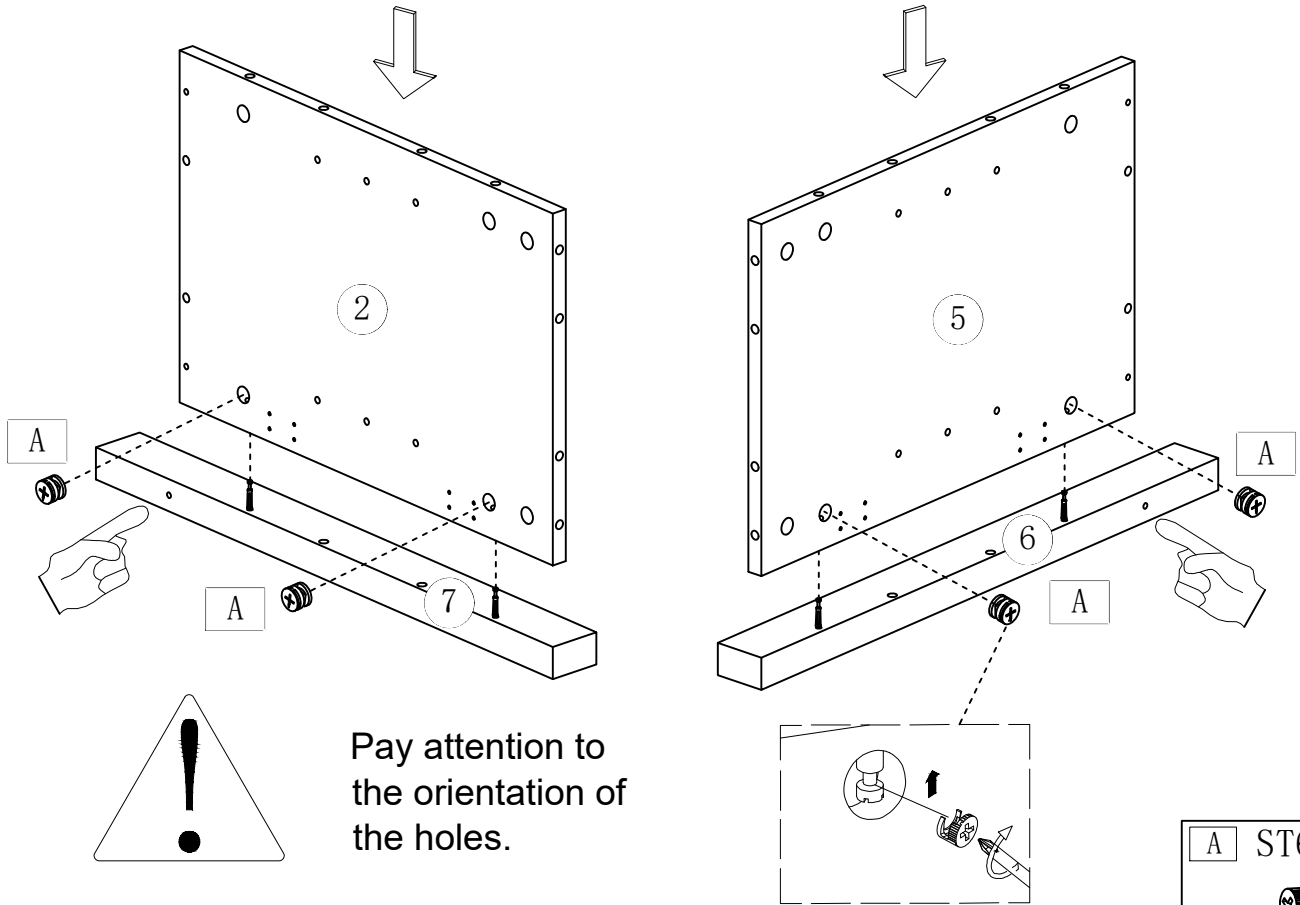
STEP 2



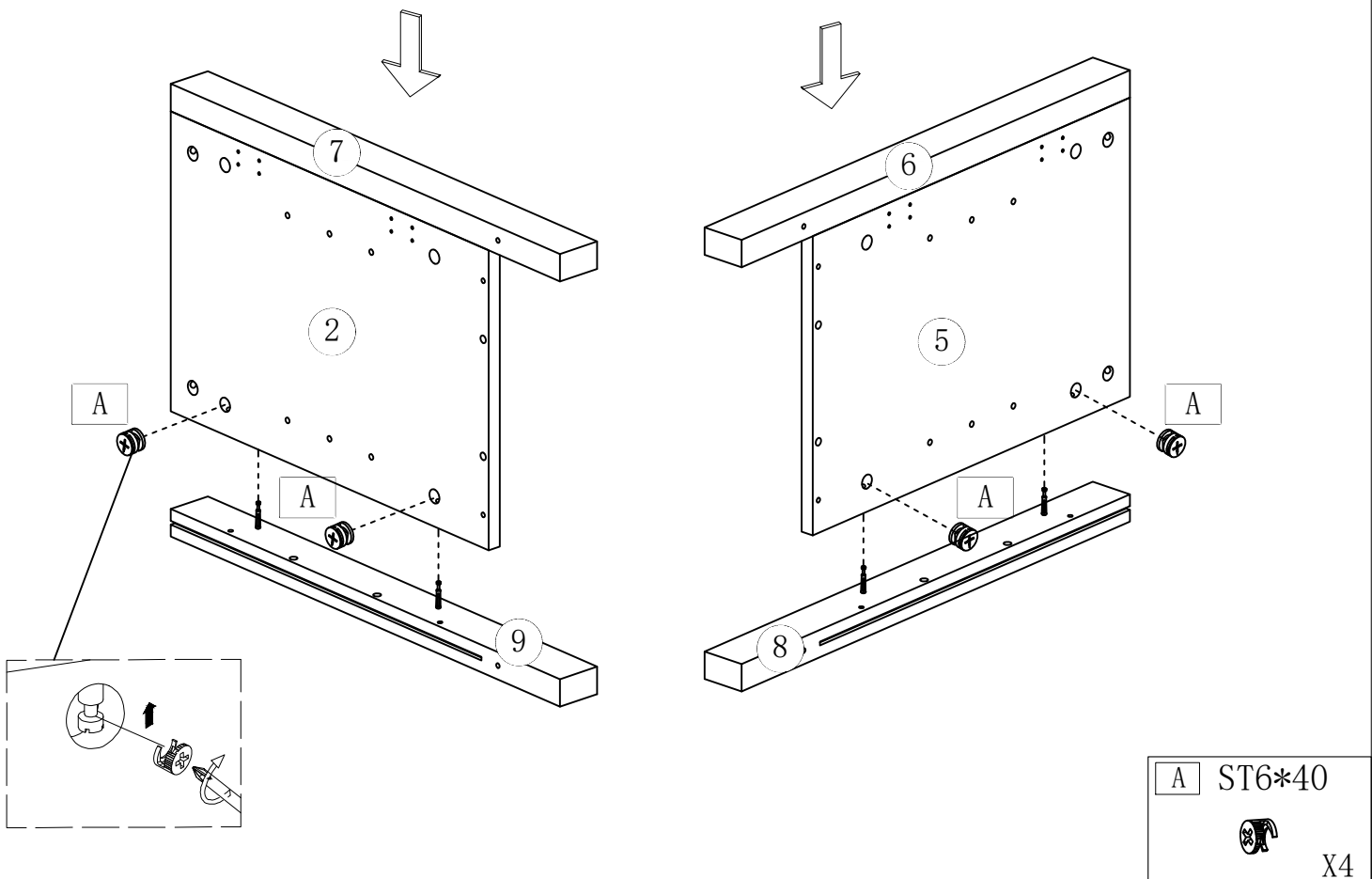
A	ST6*40
	
X8	

ASSEMBLY INSTRUCTION

STEP 3

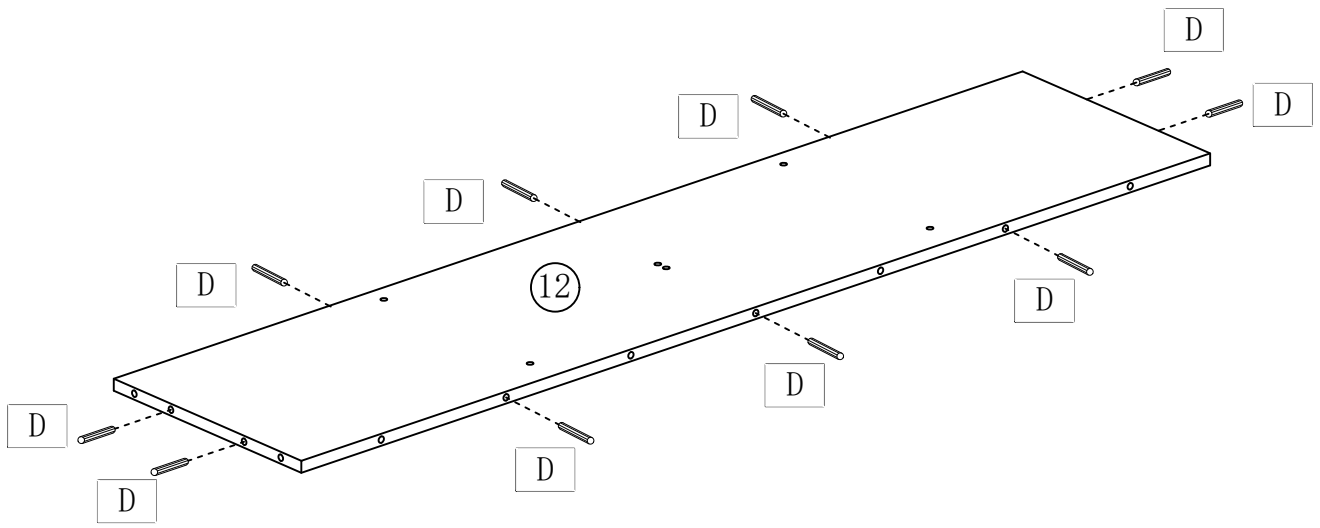



STEP 4



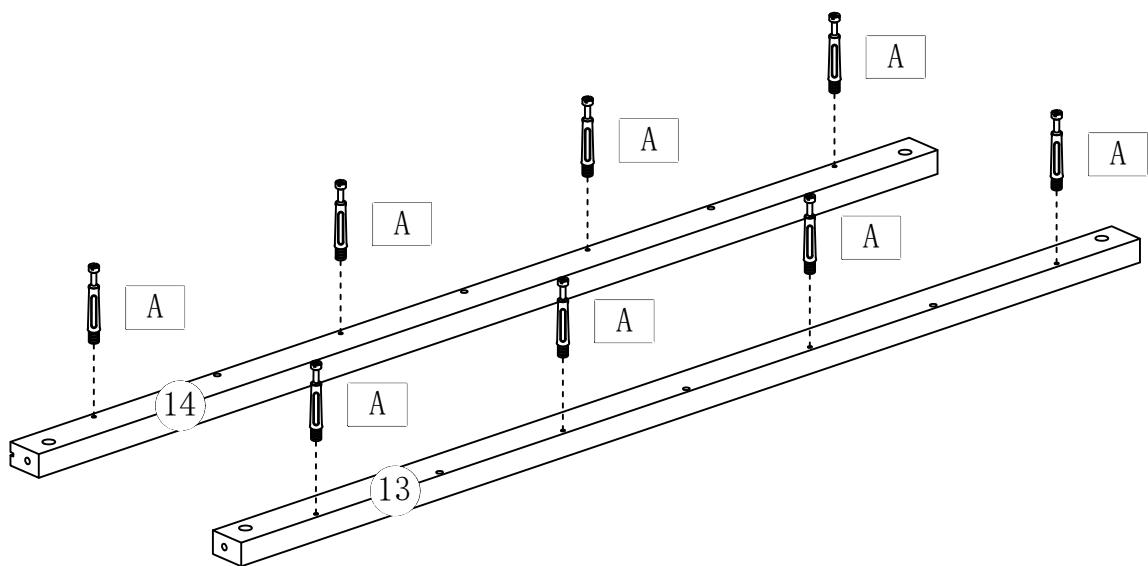
ASSEMBLY INSTRUCTION


STEP 5



D	8*35
	
X10	

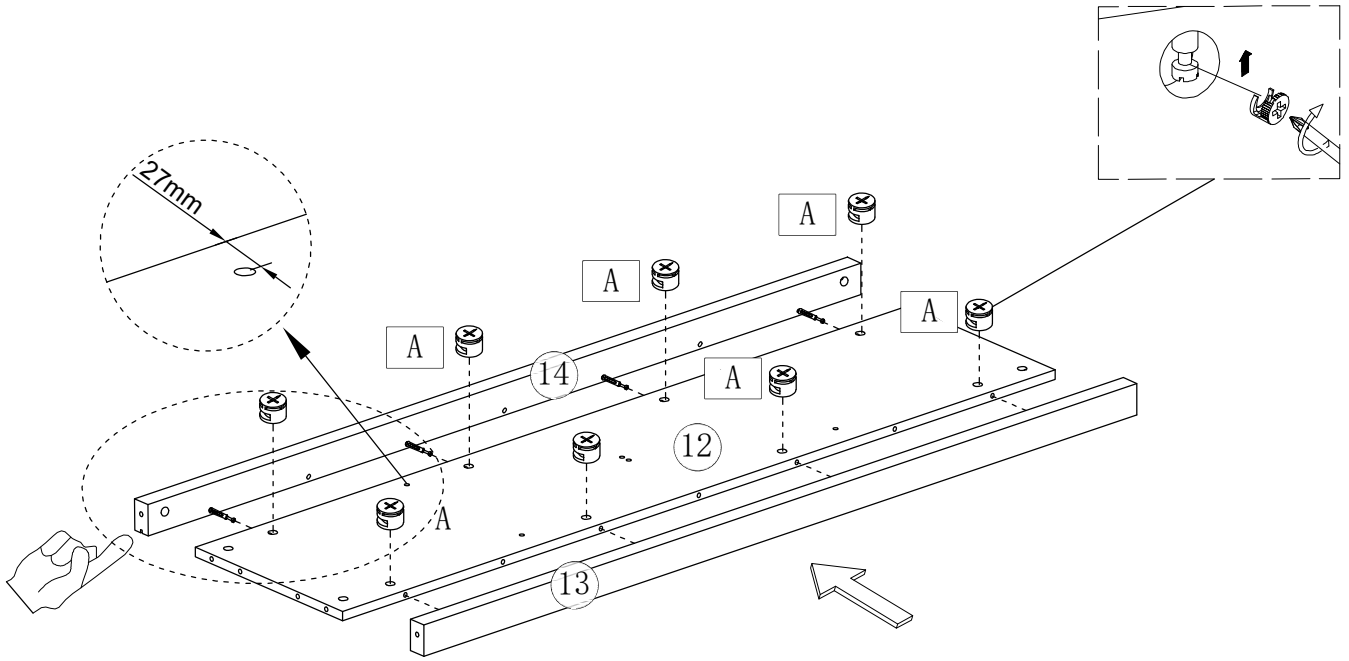
STEP 6



A	ST6*40
	
X8	

ASSEMBLY INSTRUCTION

STEP 7

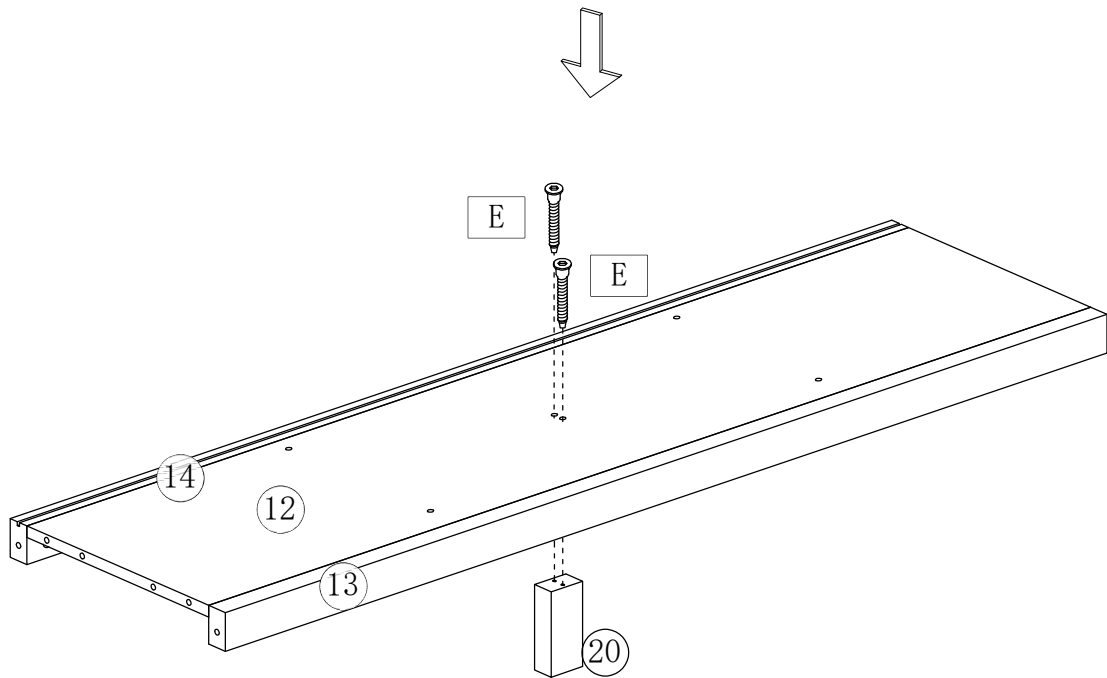


A ST6*40



X8

STEP 8



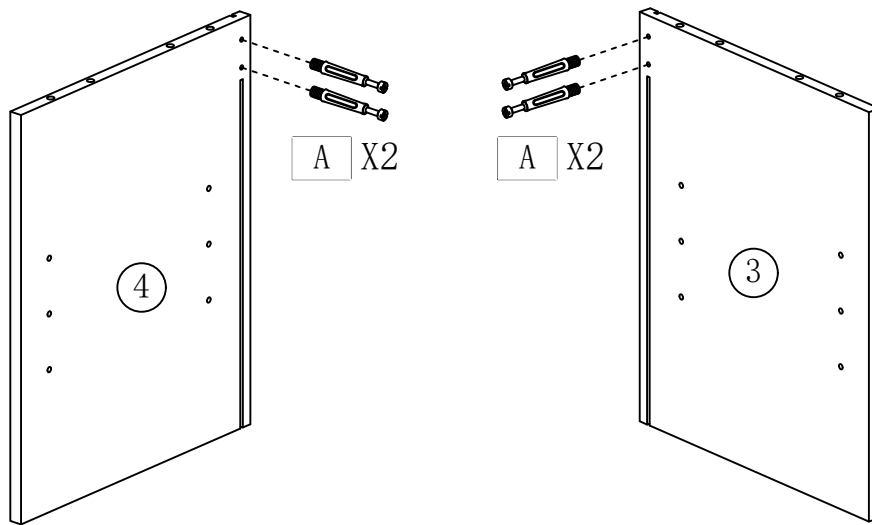
E ST7*40



X2

ASSEMBLY INSTRUCTION

STEP 9

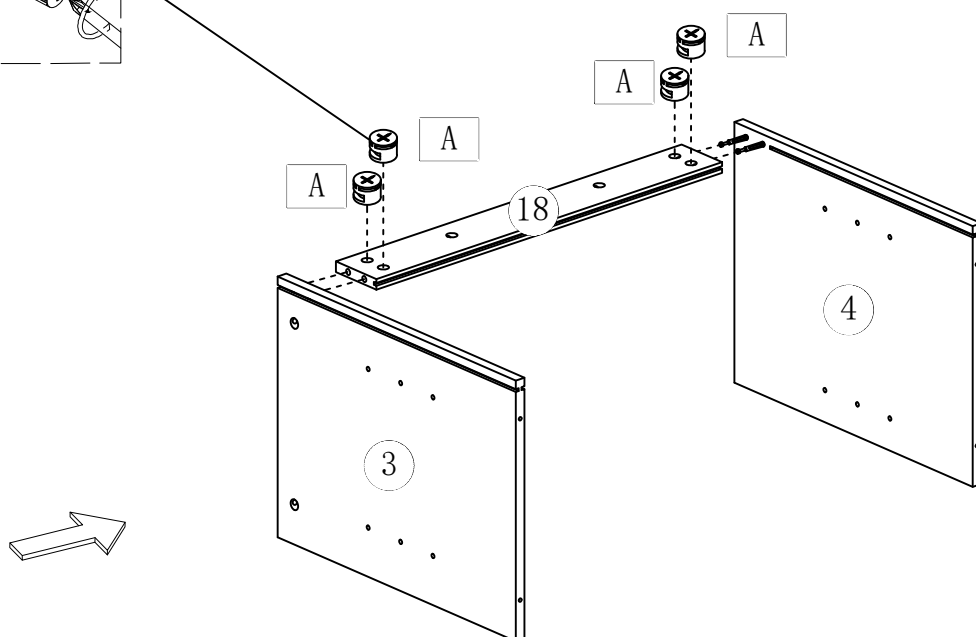
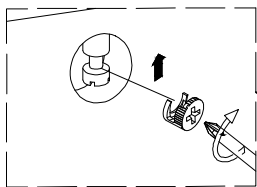


A ST6*40



X4

STEP 10



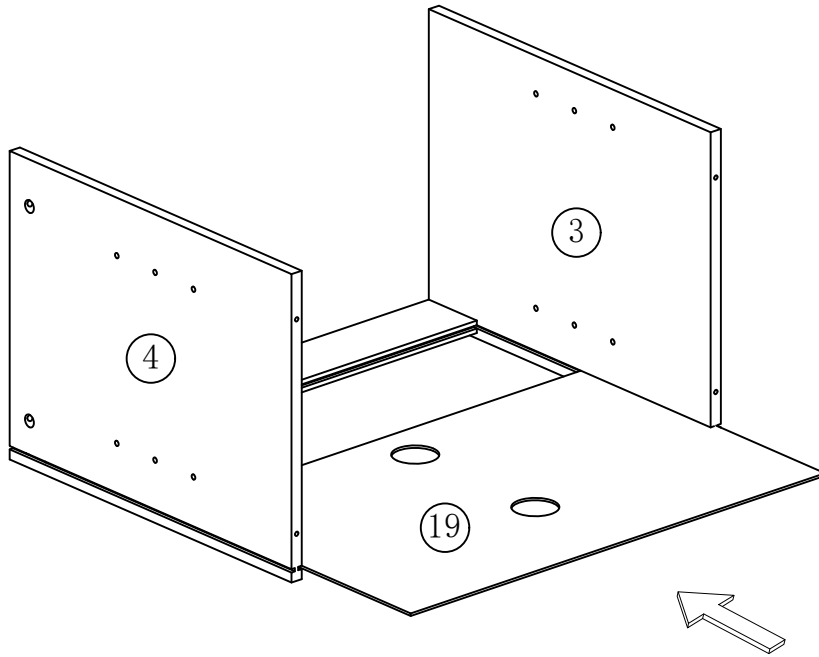
A ST6*40



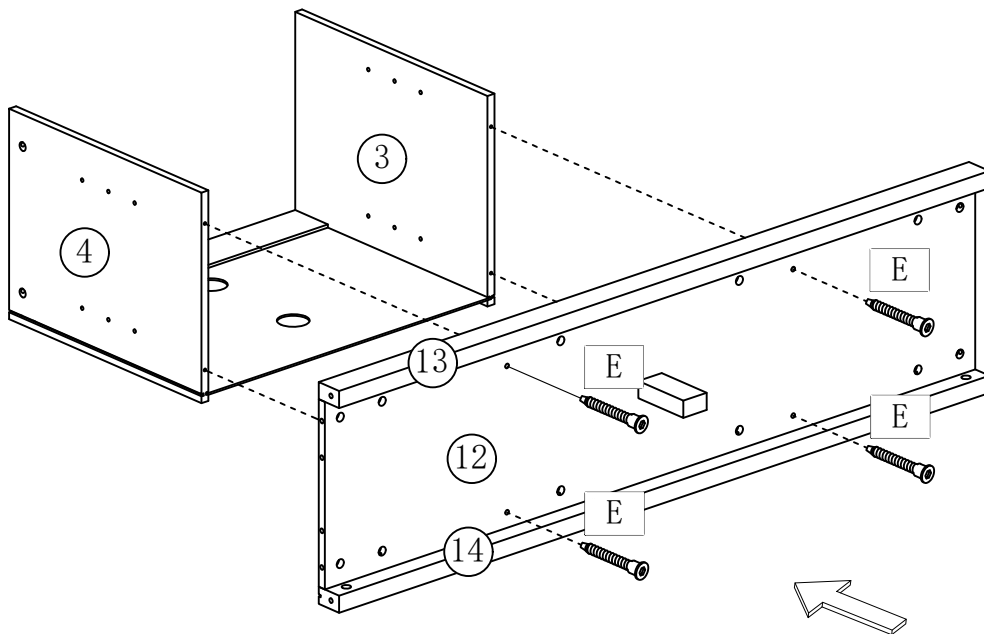
X4

ASSEMBLY INSTRUCTION

STEP 11



STEP 12



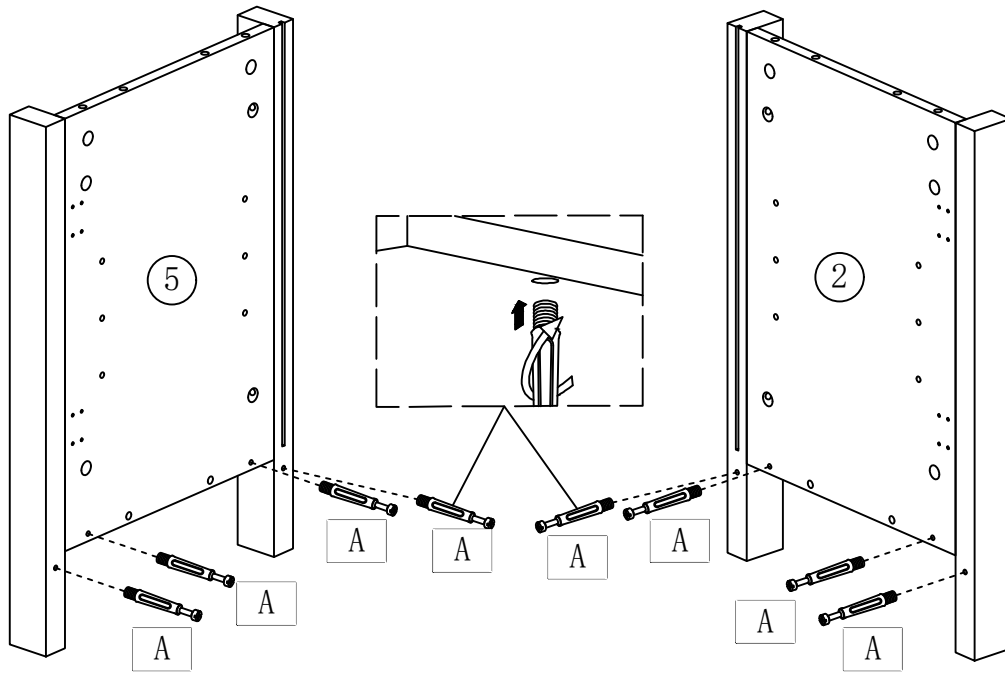
E ST7*40



X4

ASSEMBLY INSTRUCTION

STEP 13

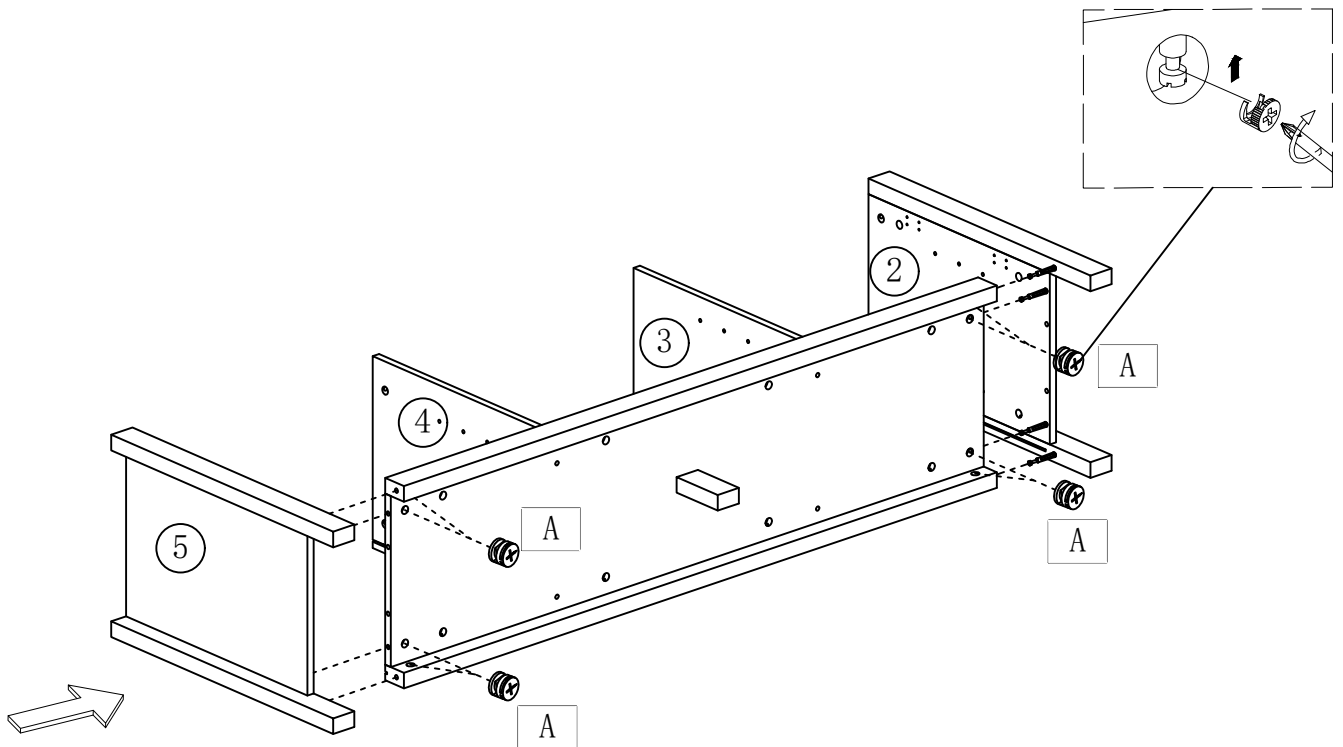


A ST6*40



X8

STEP 14



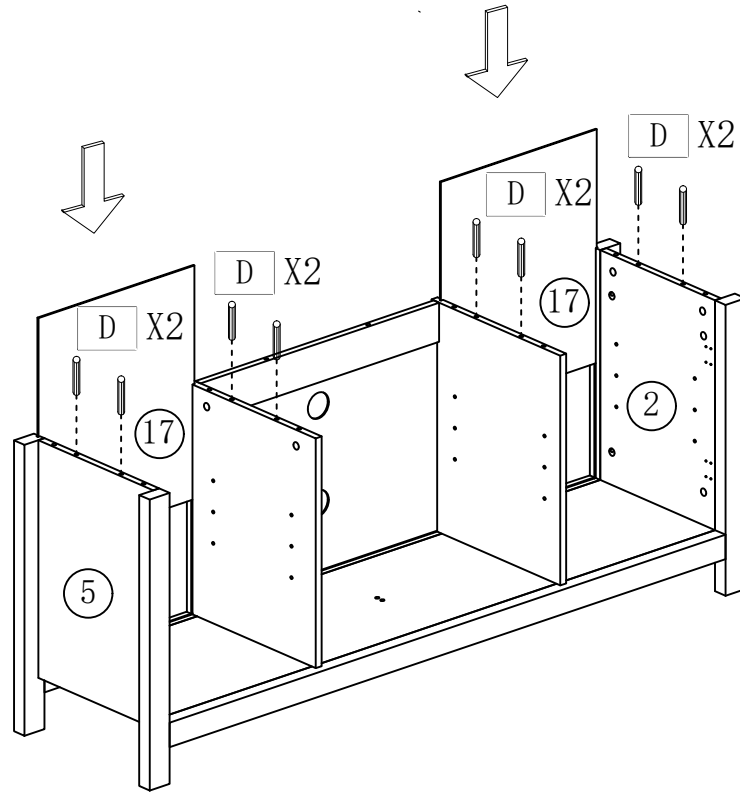
A ST6*40




X8

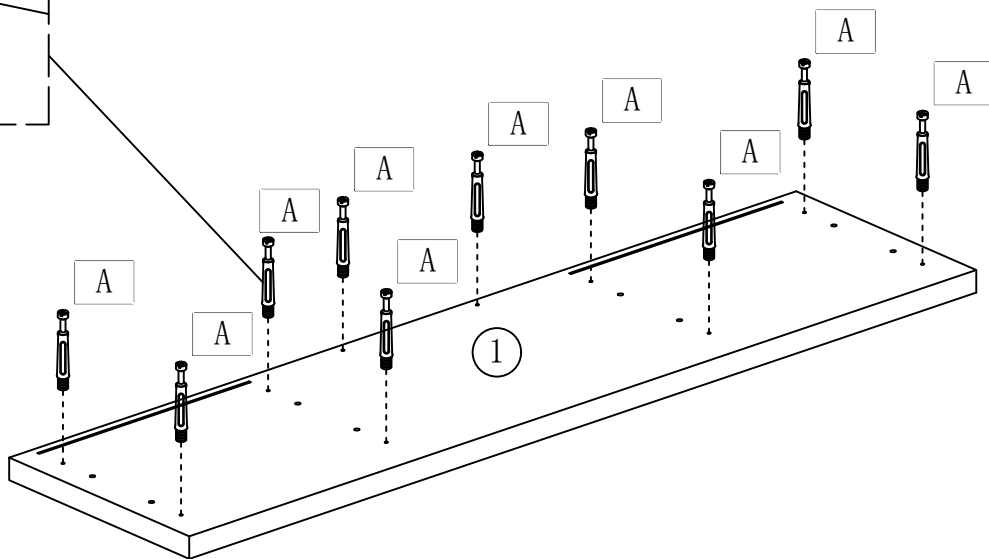
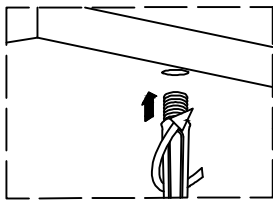
ASSEMBLY INSTRUCTION


STEP 15



D	8*35
	
X8	

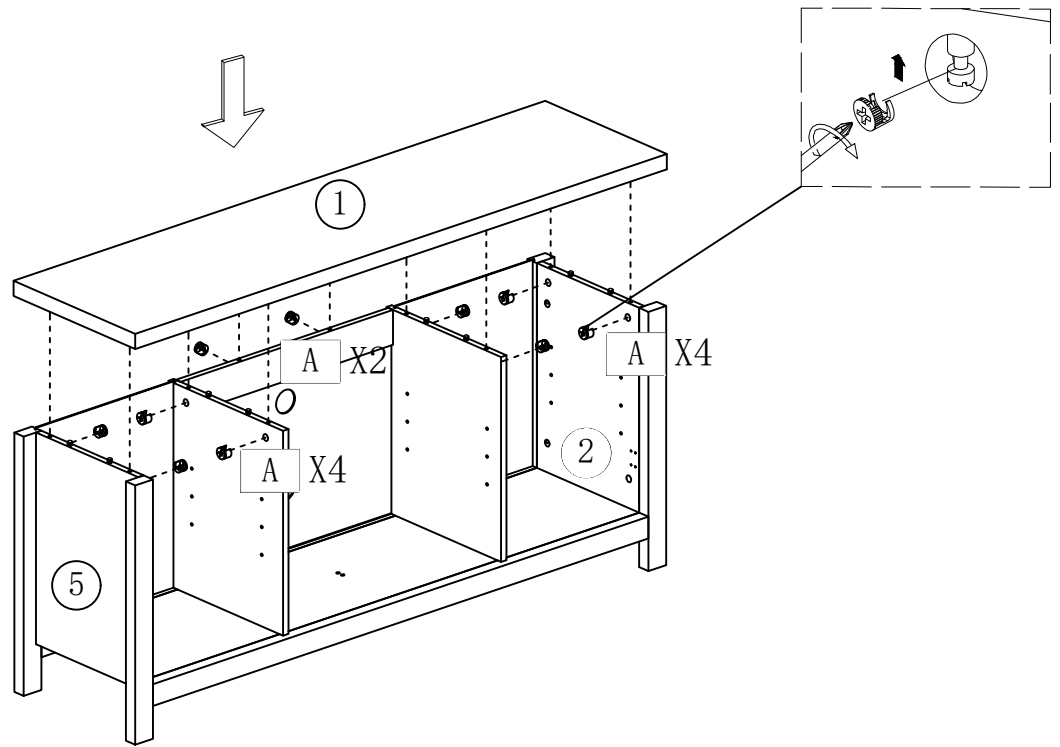
STEP 16



A	ST6*40
	
X10	

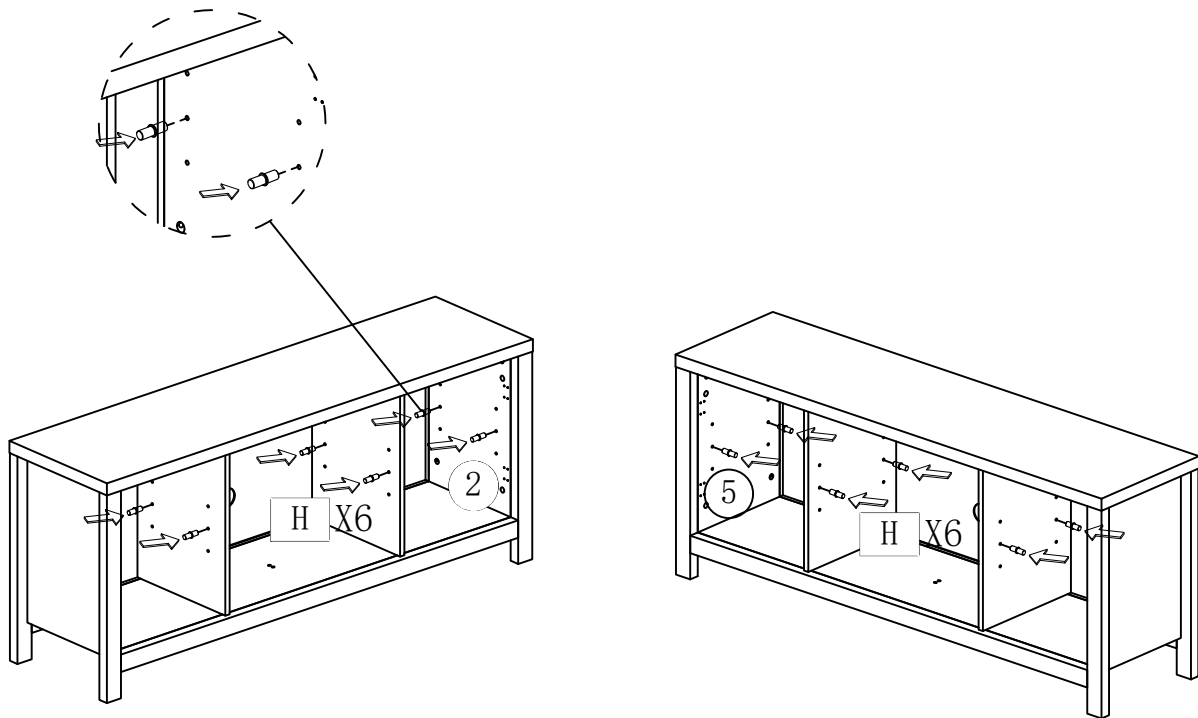
ASSEMBLY INSTRUCTION

STEP 17



A ST6*40
X10

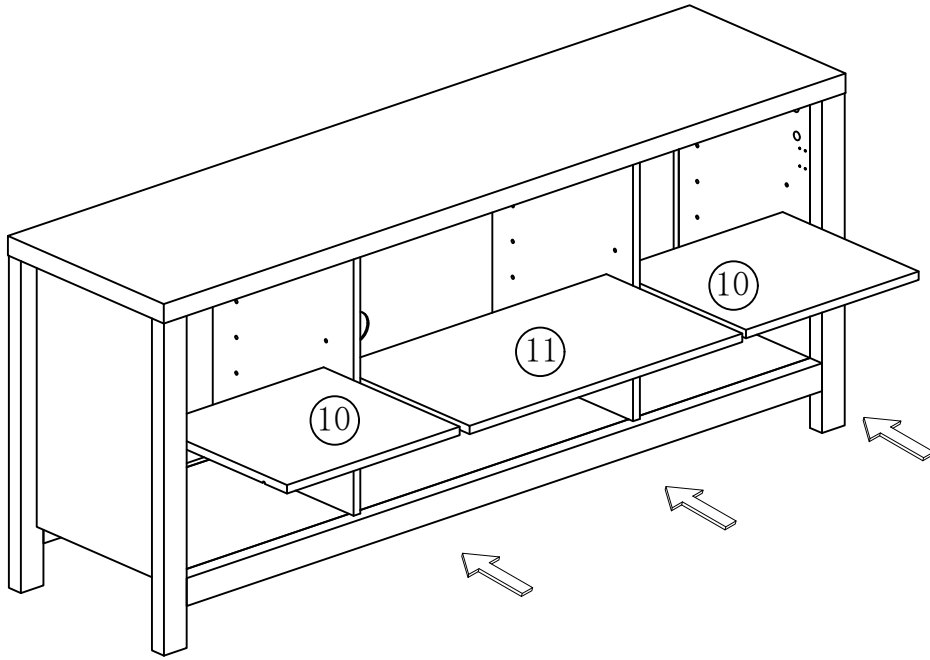
STEP 18



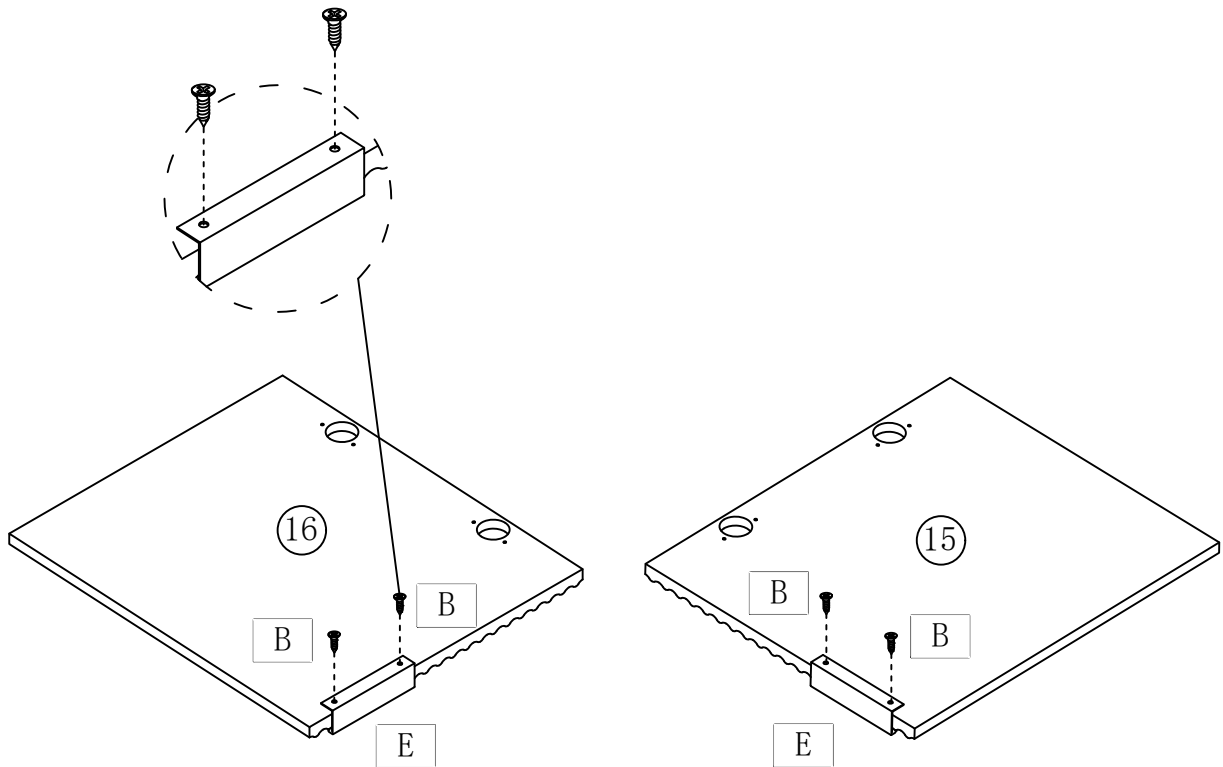
H
X12



ASSEMBLY INSTRUCTION

STEP 19



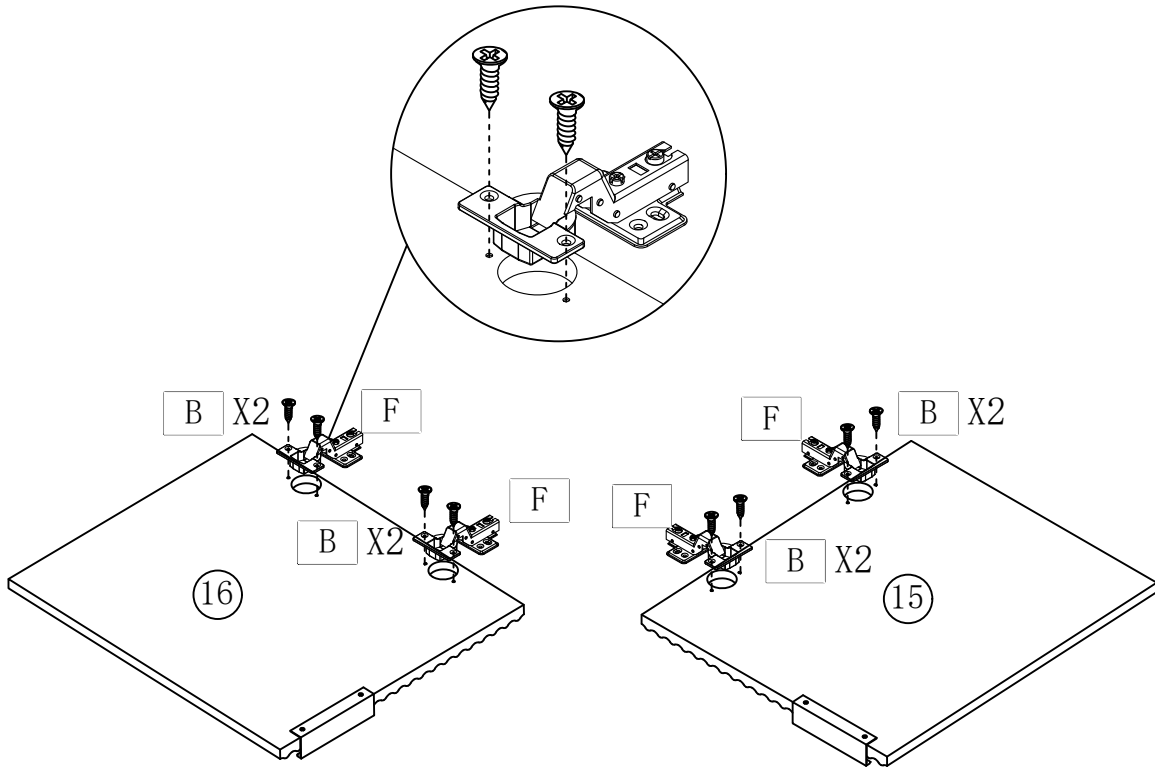
STEP 20





B	ST3.5*14	E
		
	X4	X2

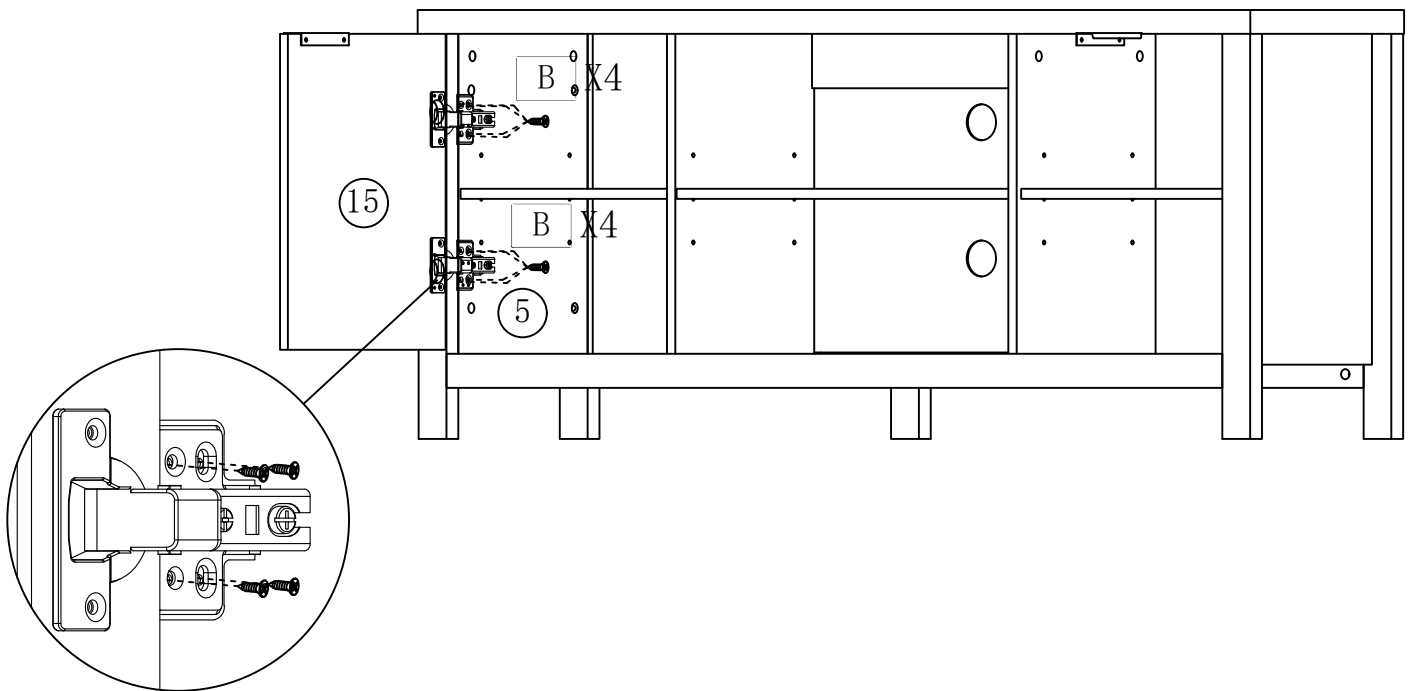
ASSEMBLY INSTRUCTION


STEP 21



B	ST3. 5*14	F	
			X4
		X8	

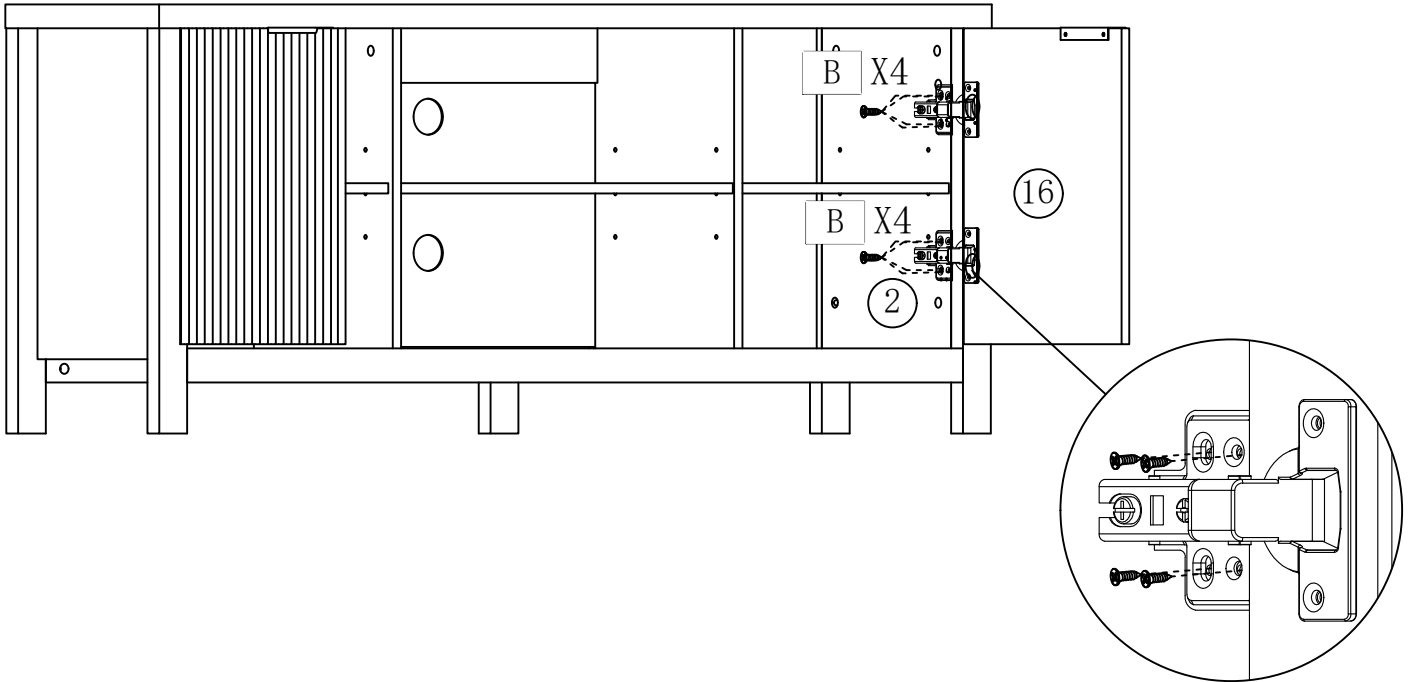
STEP 22



B	ST3. 5*14
	X8

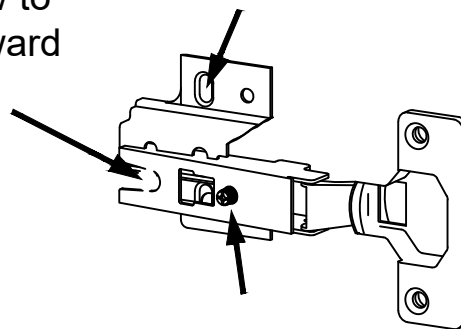
ASSEMBLY INSTRUCTION

STEP 23



2. Adjust this screw to make the door forward or backward

3. Adjust this screw to make the door go up or down



Note: After the door pane is installed, if the gap of the door is too large or too small, you can adjust this screw to adjust the gap of the door.

1. Adjust this screw to make the door turn left or right

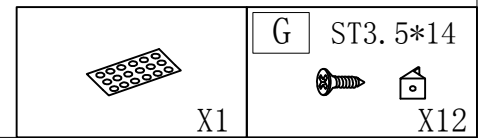
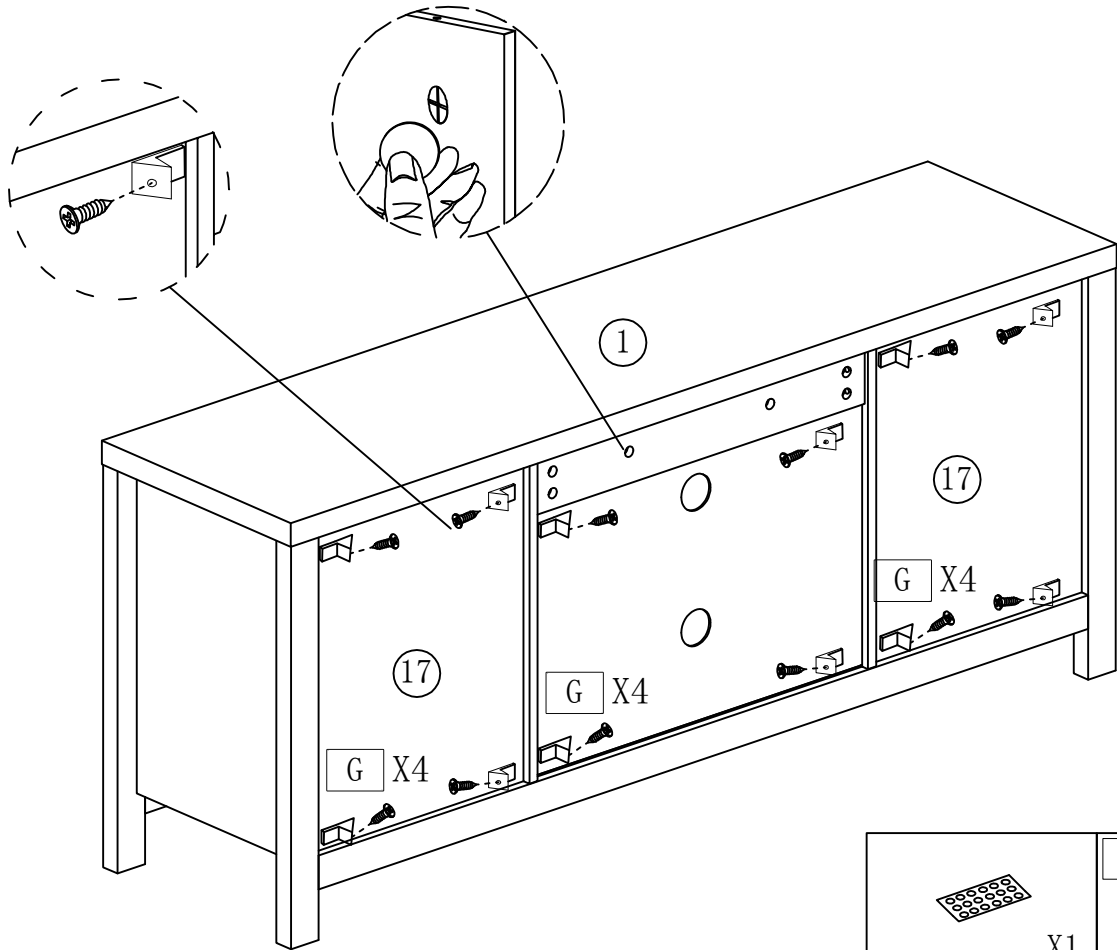
B ST3. 5*14



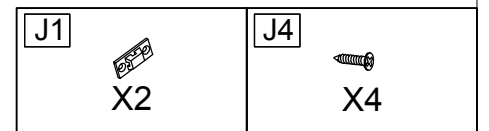
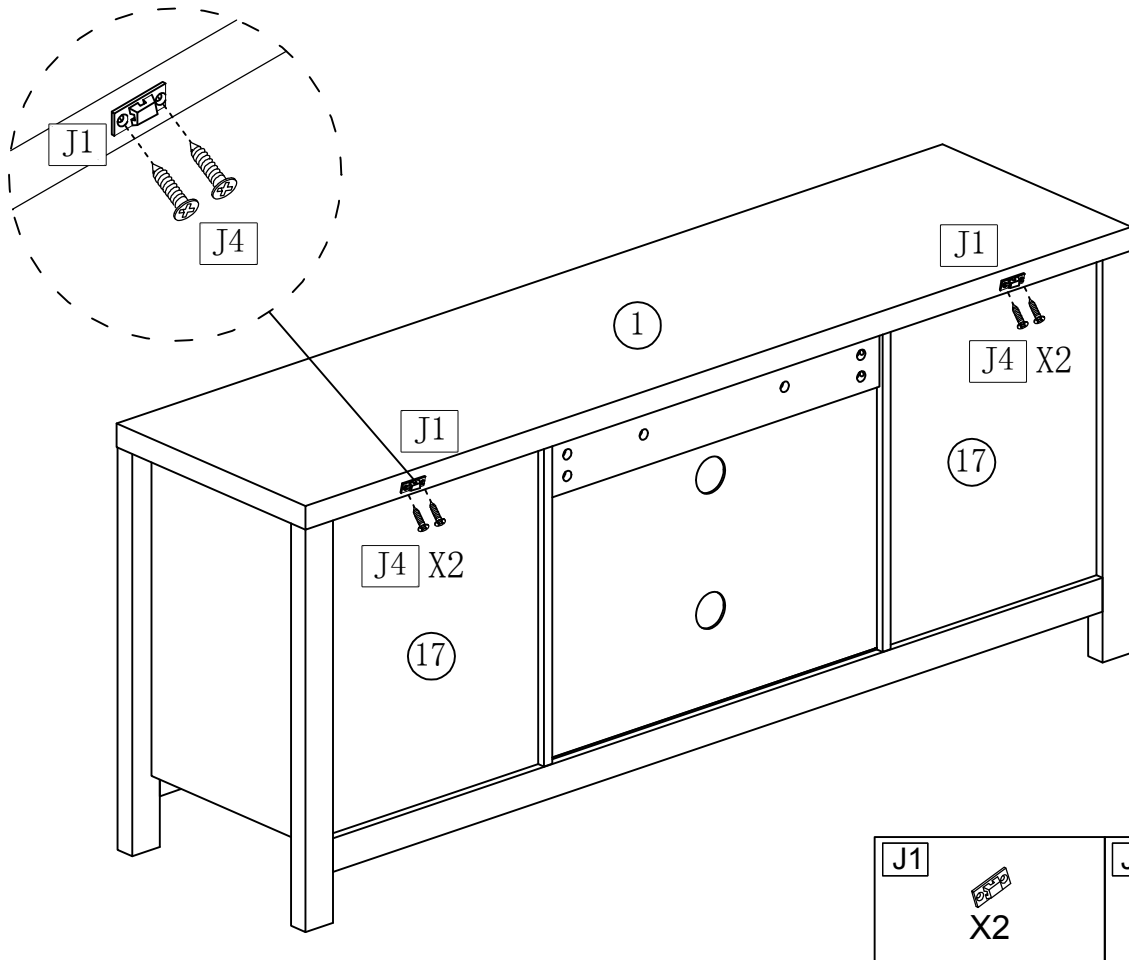
X8

ASSEMBLY INSTRUCTION

STEP 24

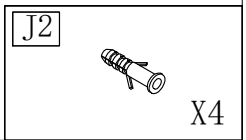
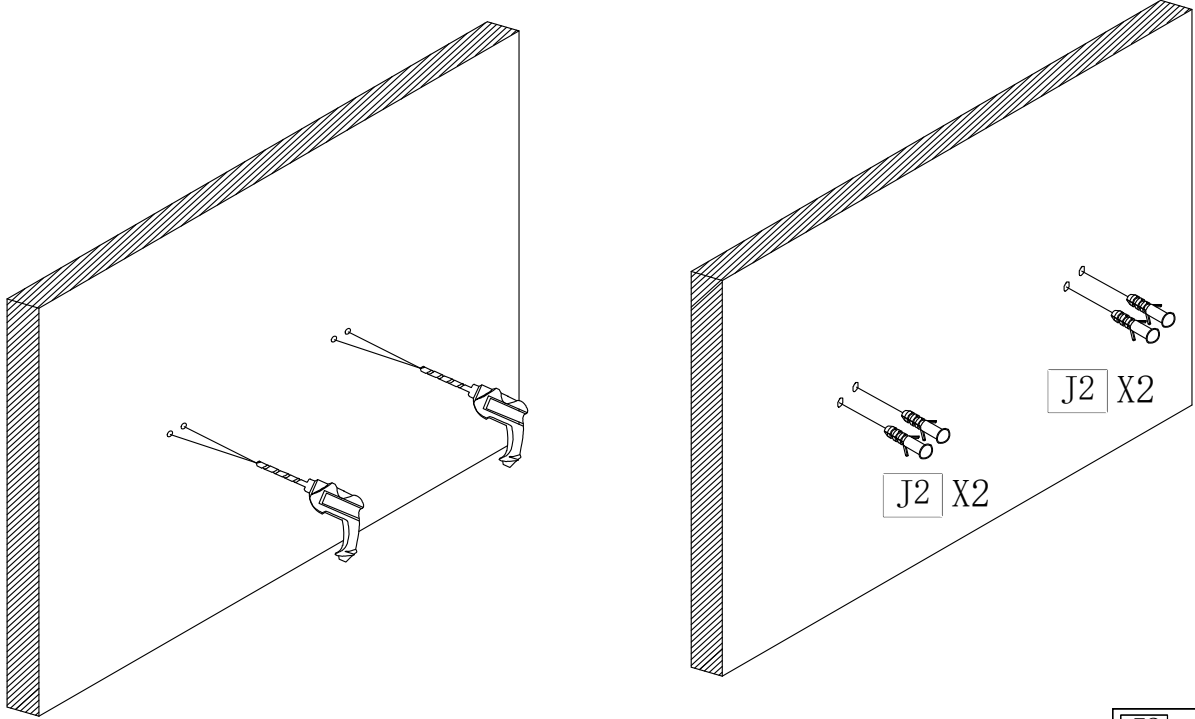


STEP 25

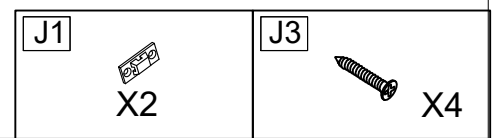
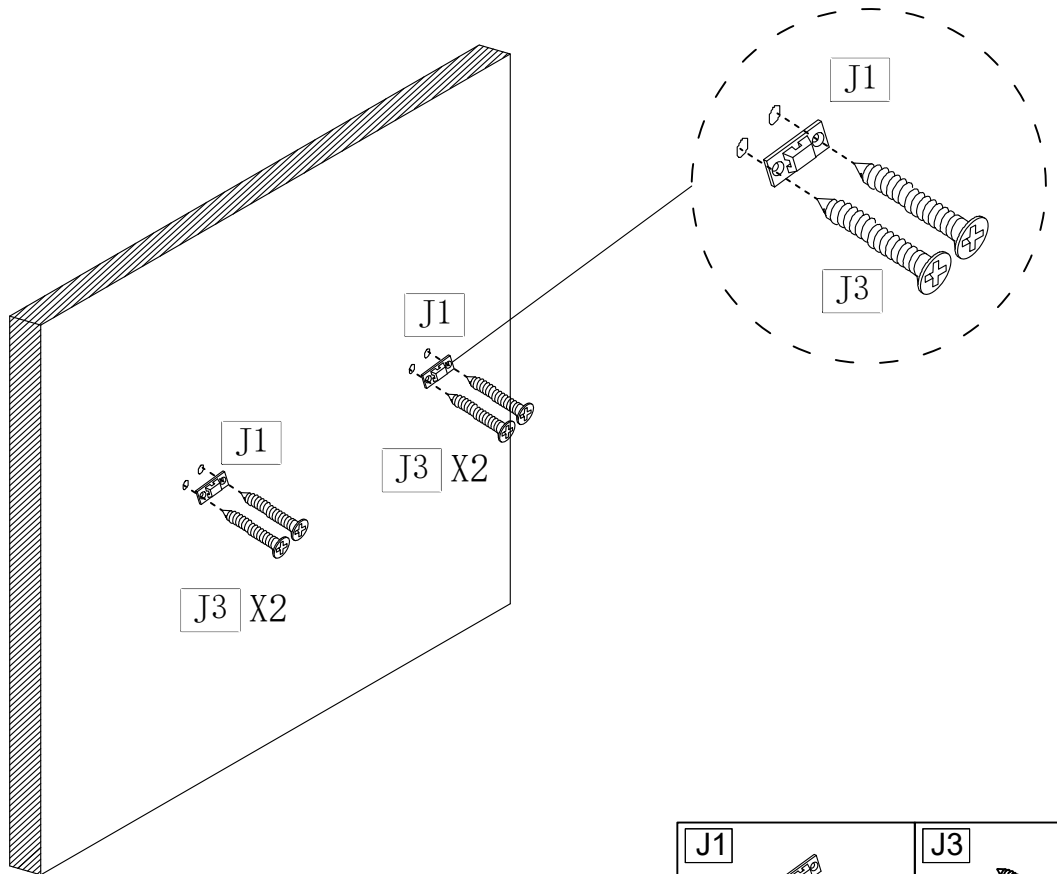


ASSEMBLY INSTRUCTION

STEP 26



STEP 27



ASSEMBLY INSTRUCTION

STEP 28

