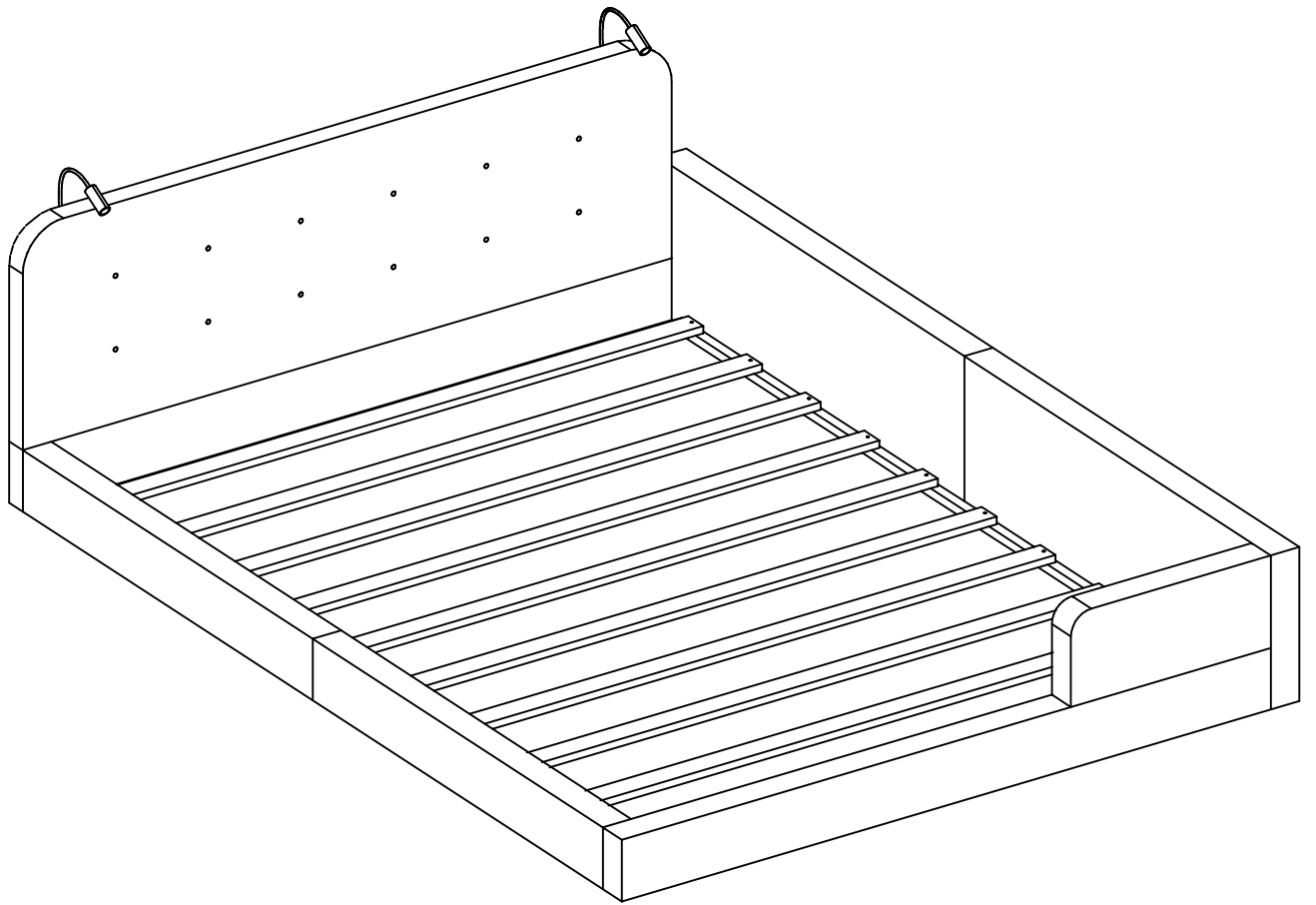
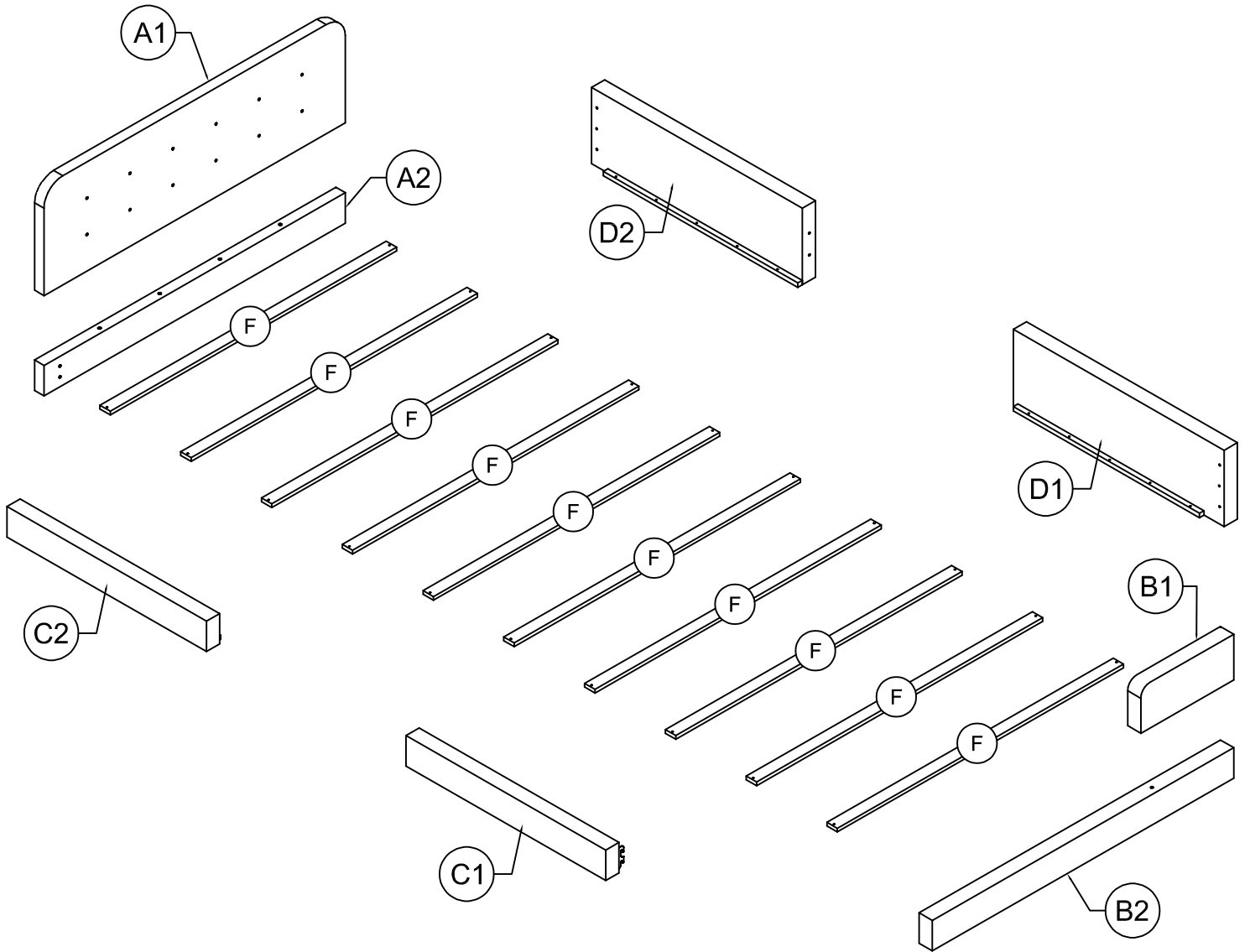


ASSEMBLY INSTRUCTION

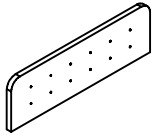


ASSEMBLY INSTRUCTION



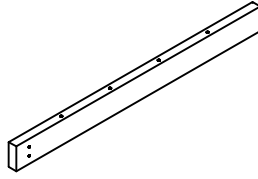
Part List

A1



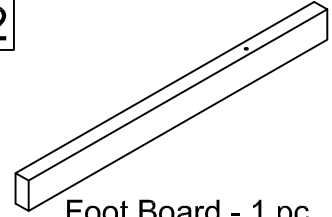
Head Board - 1pc
Tête de lit - 1pièce

A2



Head Board - 1pc
Tête de lit - 1pièce

B2



Foot Board - 1 pc
Pied de lit - 1 pièce

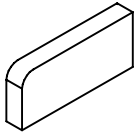
F



Slats - 10 pcs
Lattes - 10 pièces

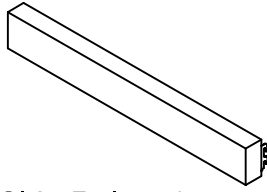
Part List

B1



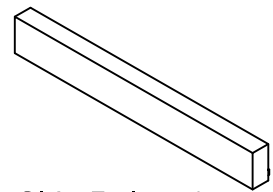
Foot Board - 1 pc
Pied de lit - 1 pièce

C1



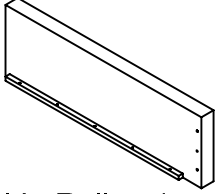
Side Rails - 1 pc
Rails latéraux - 1 pièce

C2



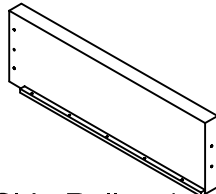
Side Rails - 1 pc
Rails latéraux - 1 pièce

D1



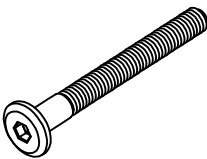

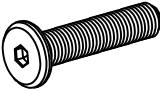

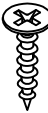
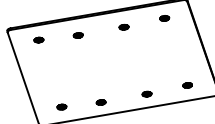
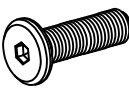
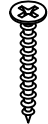
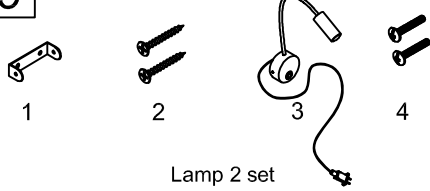
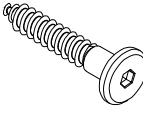
Side Rails - 1 pc
Rails latéraux - 1 pièce

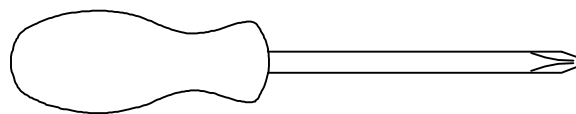
D2



Side Rails - 1 pc
Rails latéraux - 1 pièce

Hardware List

<p>1</p>  <p>1/4" x 40 mm Hex-Head bolts 7 pcs Boulons à tête hexagonale 1/4" x 40 mm 7 pièces</p>	<p>2</p>  <p>Allen Key 1 pc Clé Allen 1 pièce</p>	<p>3</p>  <p>1/4" x 35 mm Hex-Head bolts 2pcs Boulons à tête hexagonale 1/4" x 35 mm 2pièces</p>
<p>4</p>  <p>1/4" x 180 mm Hex-Head bolts 1 pc Boulons à tête hexagonale 1/4" x 180 mm 1 pièce</p>	<p>5</p>  <p>M4 x 20 mm Wood Screws 8pcs Vis à bois M4 x 20 mm 8pièces</p>	<p>6</p>  <p>Iron Plate 1 pc Plaque de fer 1 pièce</p>
<p>7</p>  <p>1/4" x 25mm Hex-Head bolts 4pcs Boulons à tête hexagonale 1/4" x 25 mm 4pièces</p>	<p>8</p>  <p>M4 x 30 mm Wood Screws 20 pcs Vis à bois M4 x 30 mm 20 pièces</p>	<p>9</p>  <p>Lamp 2 set Lampe 2 set</p>
<p>10</p>  <p>M4 x 50 mm Wood Screws 3pcs Vis à bois M4 x 50 mm 3pièces</p>		



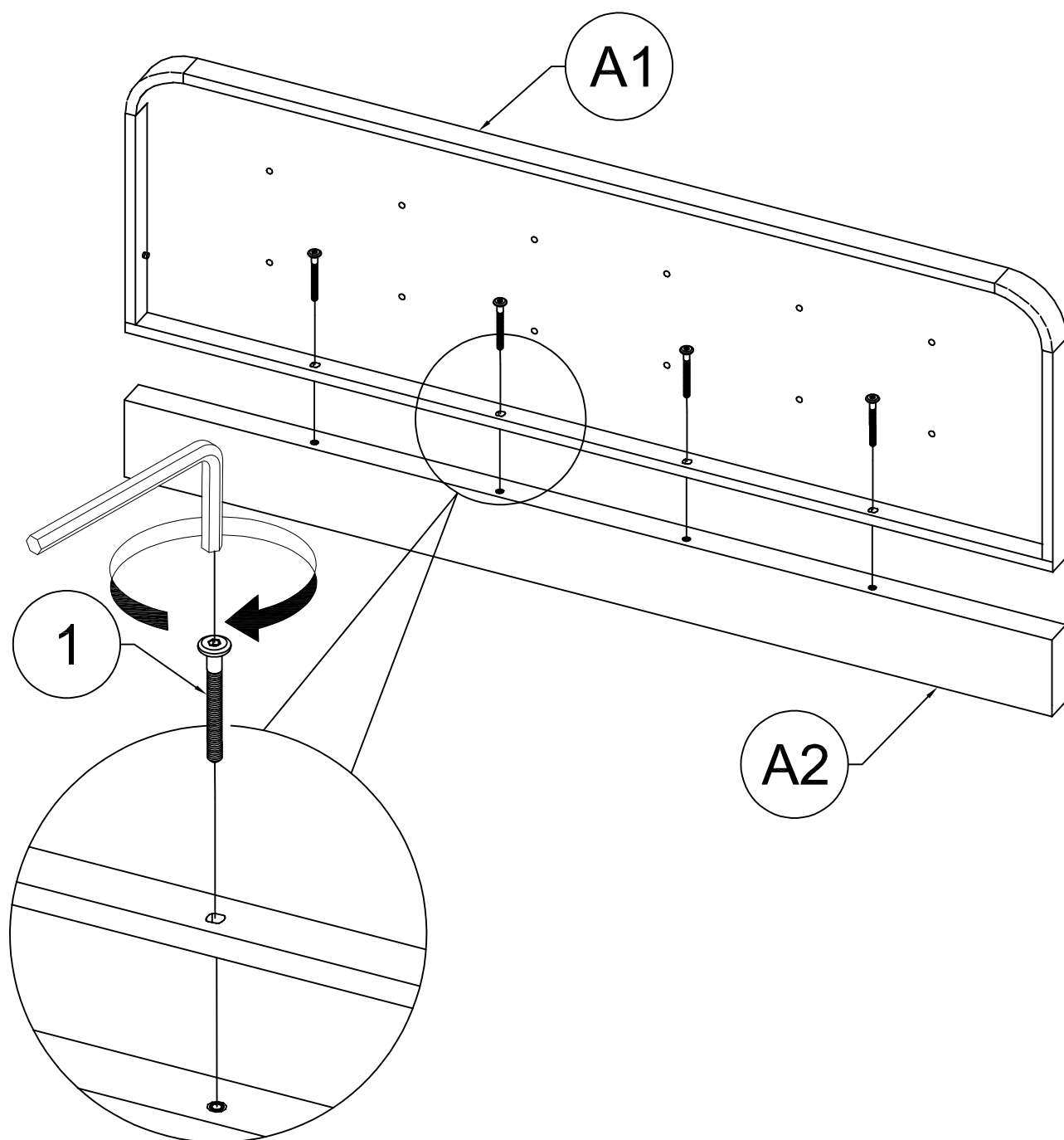
Assembly Tools Required (Not Included)
Outils D'assemblage Requis (Non Inclus)

STEP 1: Following below illustration:

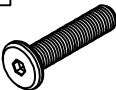
1

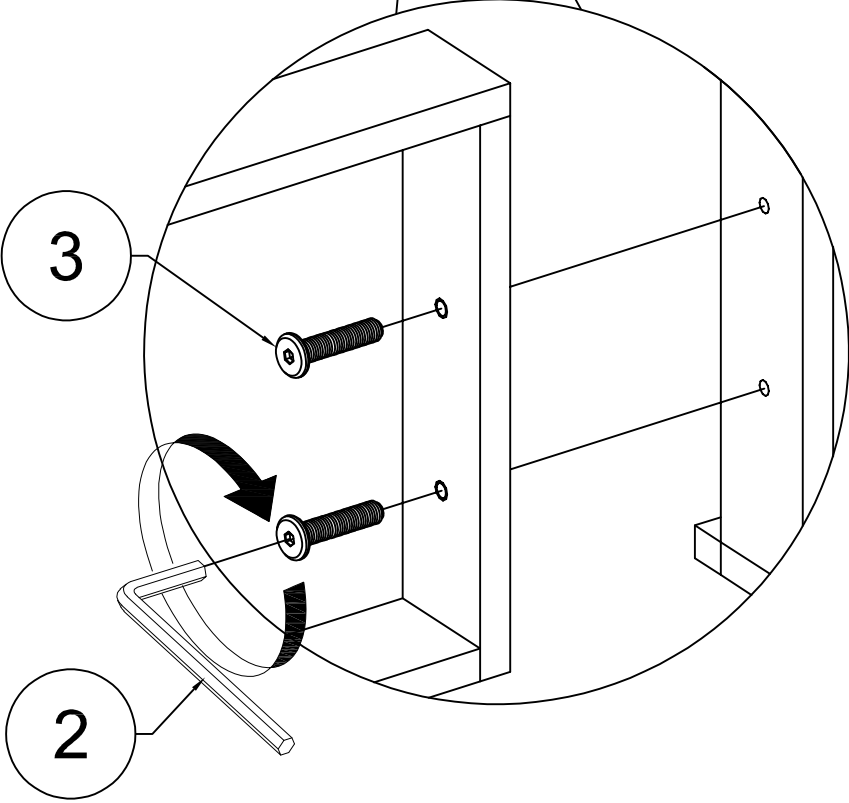
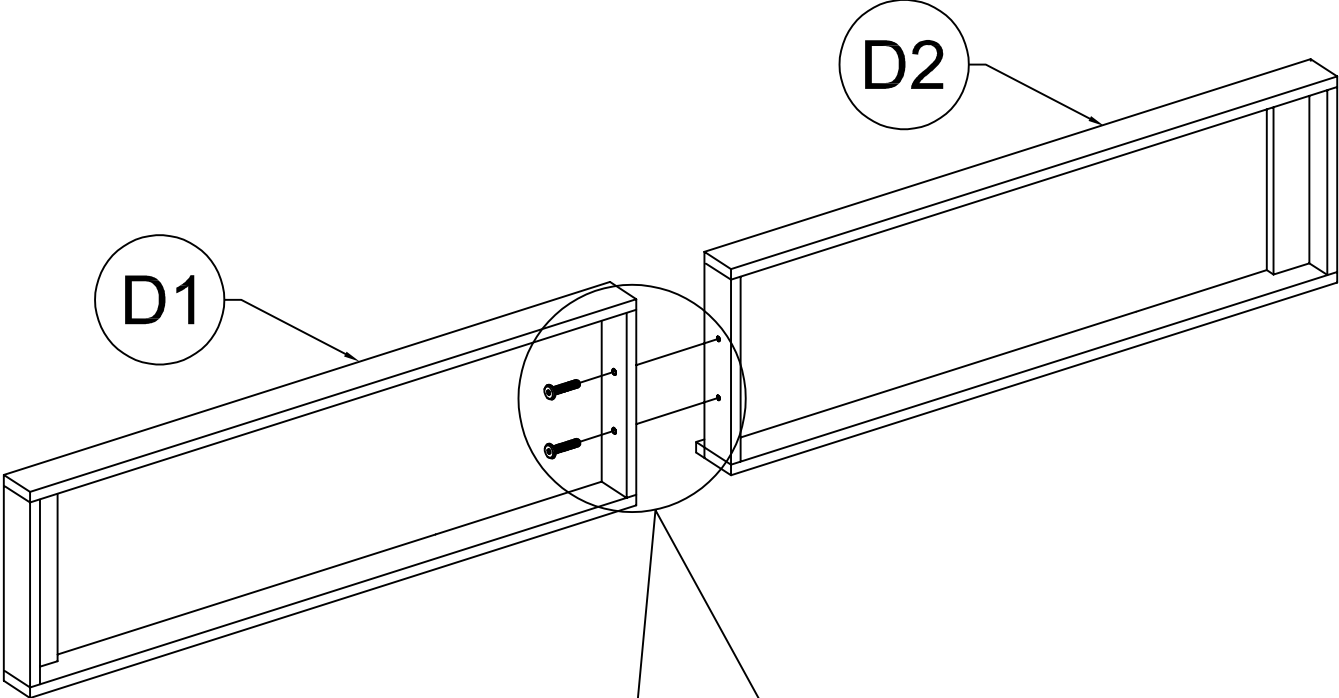


4pcs

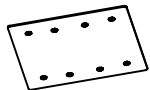



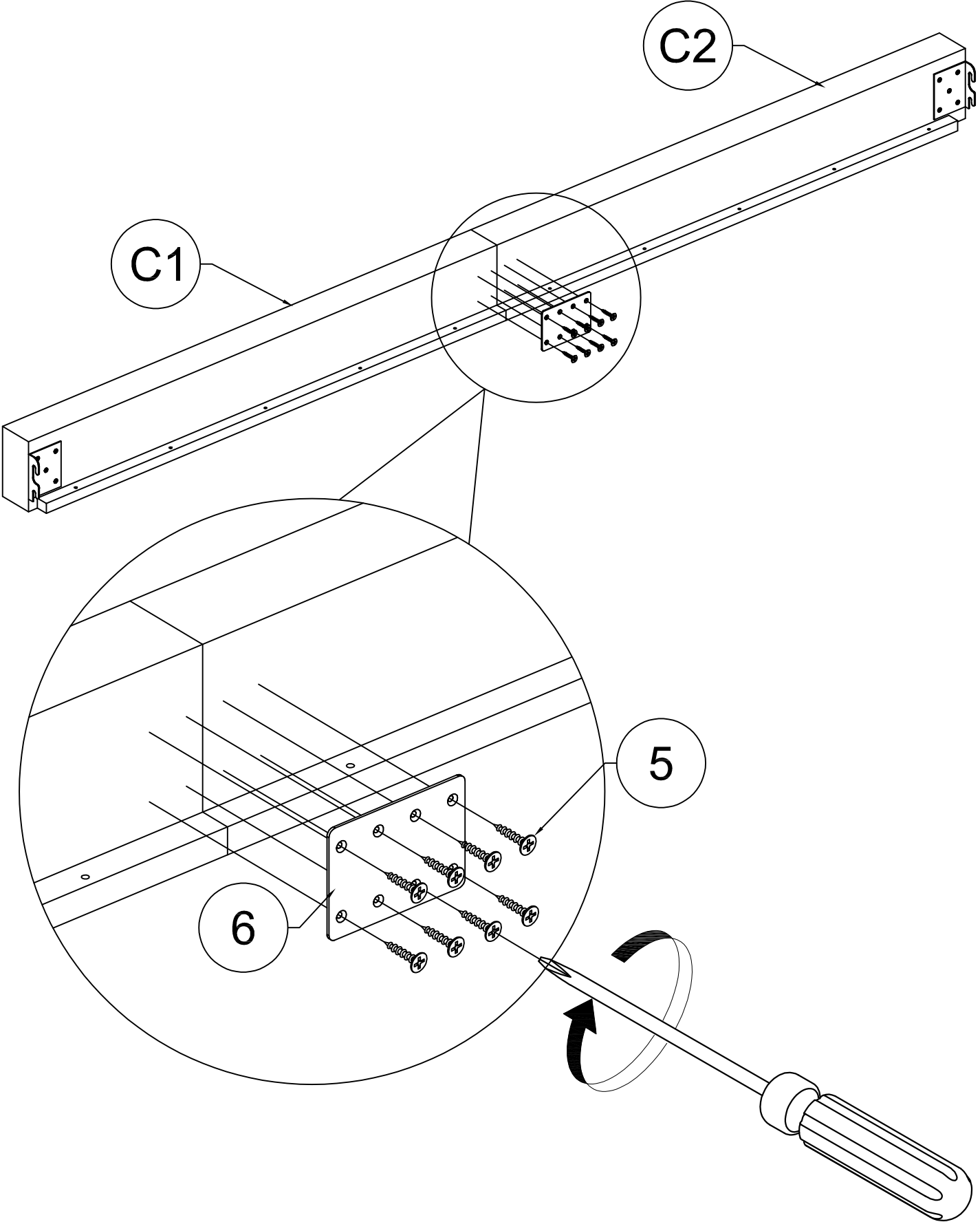
STEP 2: Following below illustration:

3	
2pcs	

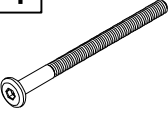


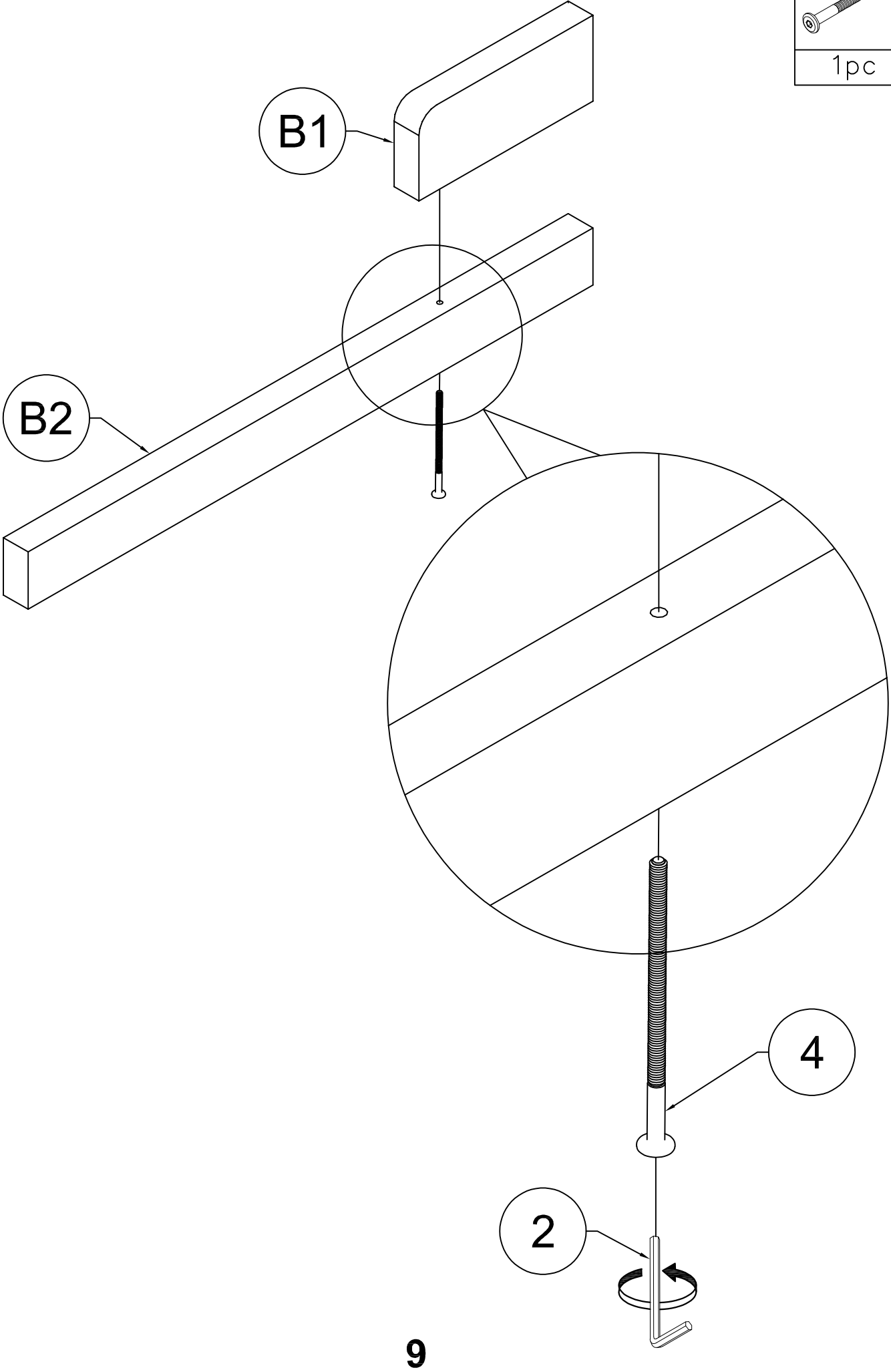
STEP 3: Following below illustration:

6 	5 
1pc	8pcs

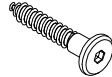



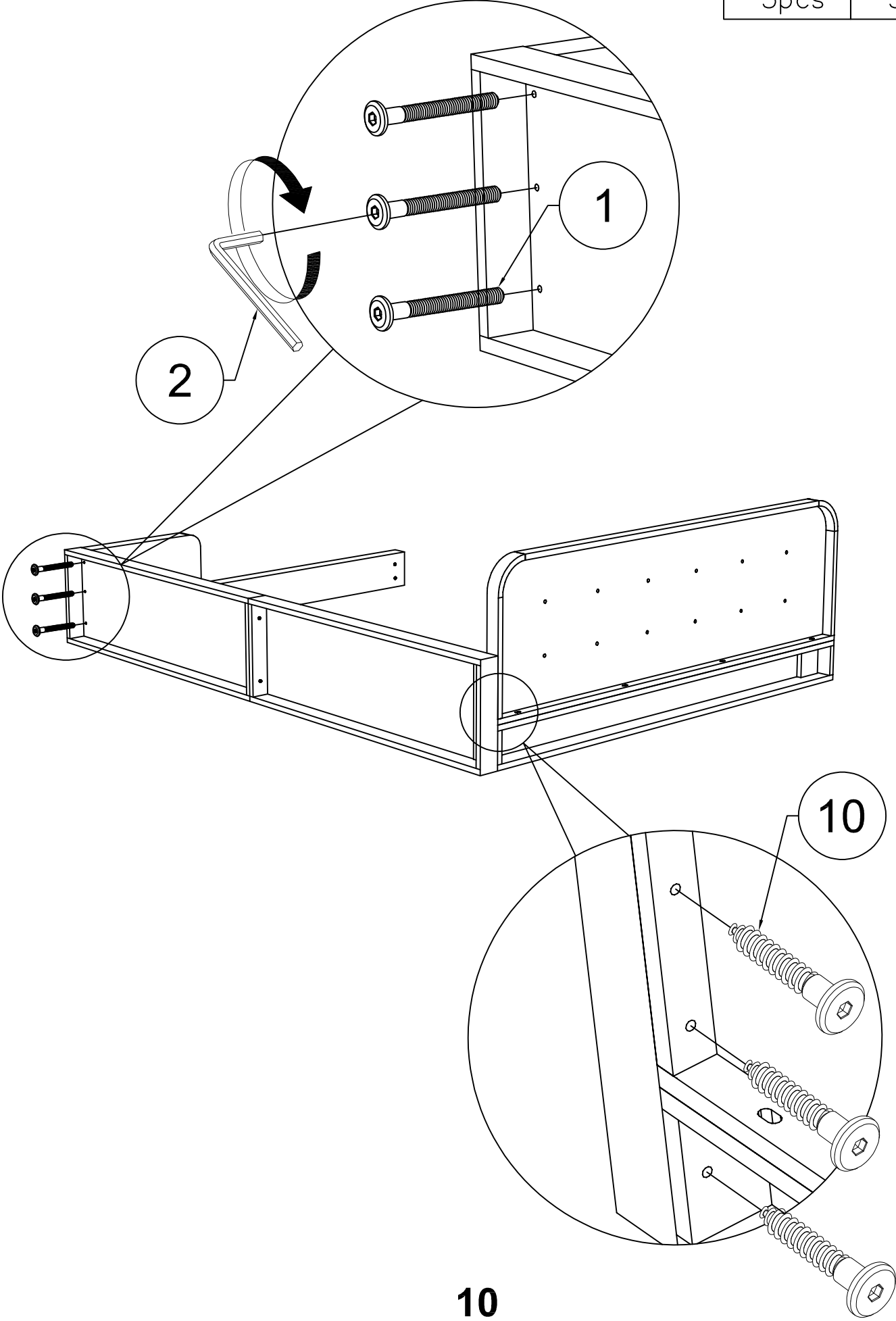
STEP 4: Following below illustration:

4

1pc




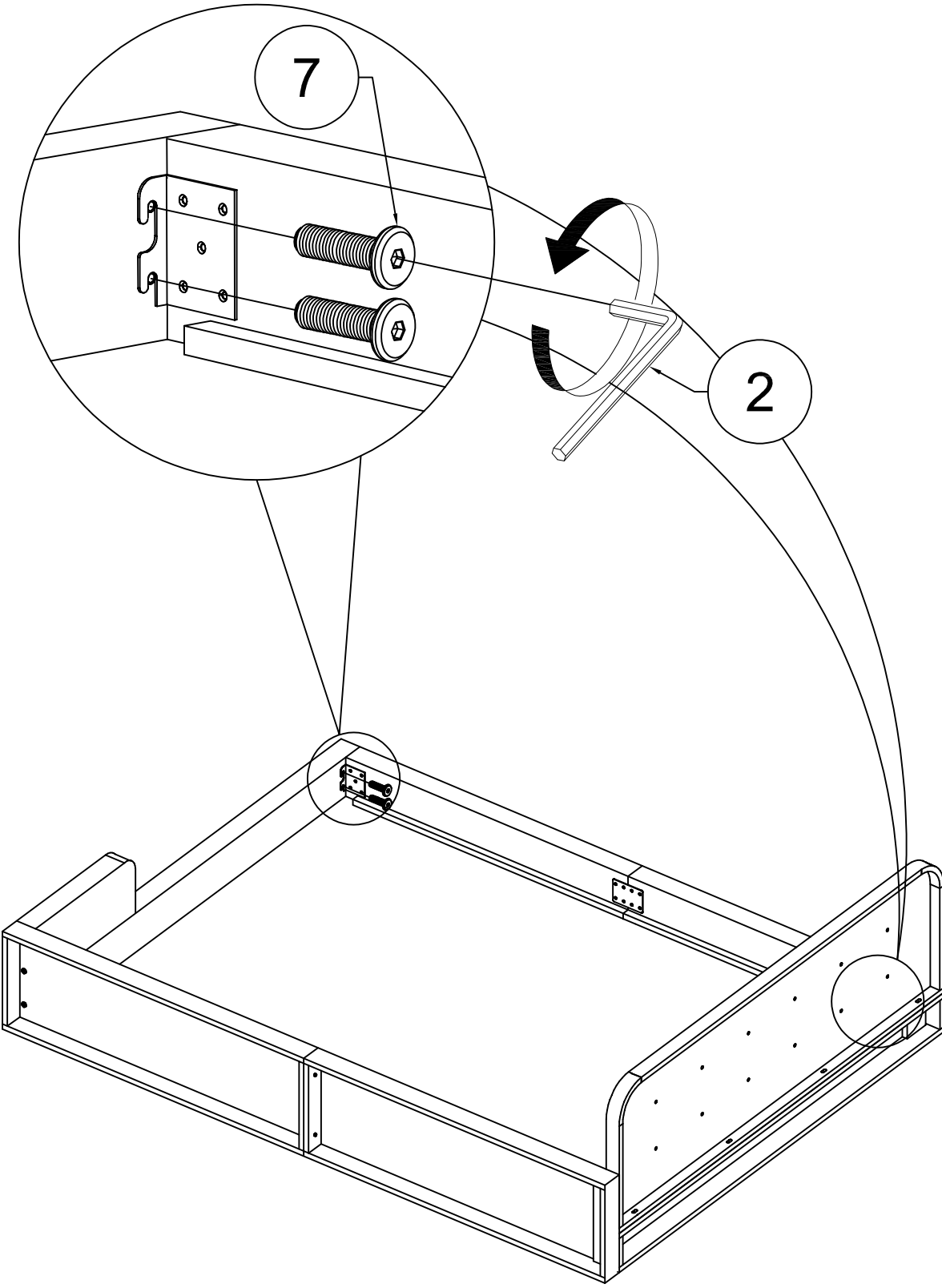
STEP 5: Following below illustration:

10	1
	
3pcs	3pcs



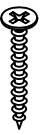
STEP 6: Following below illustration:

7

4pcs

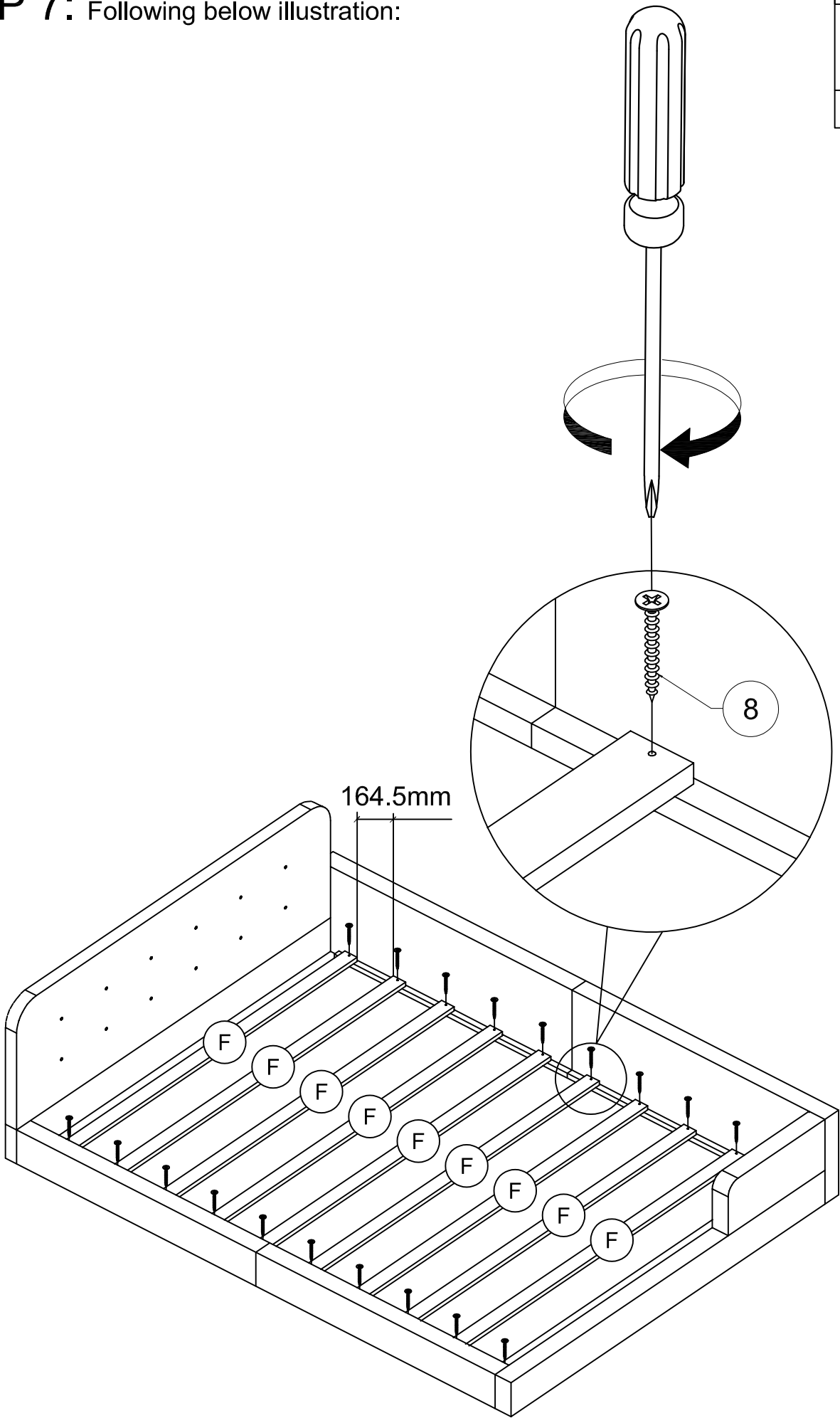


STEP 7: Following below illustration:


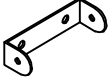
8

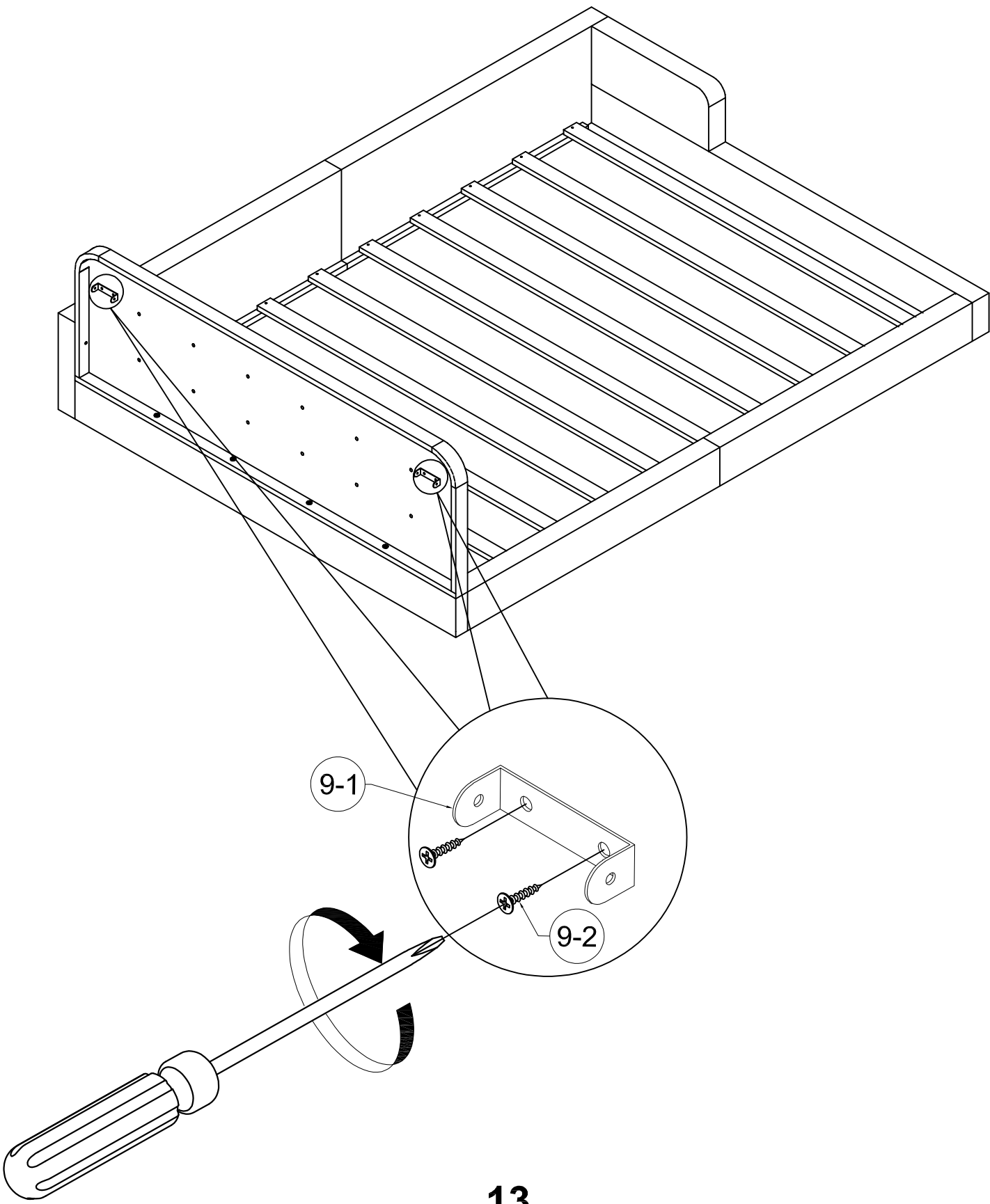


20pcs





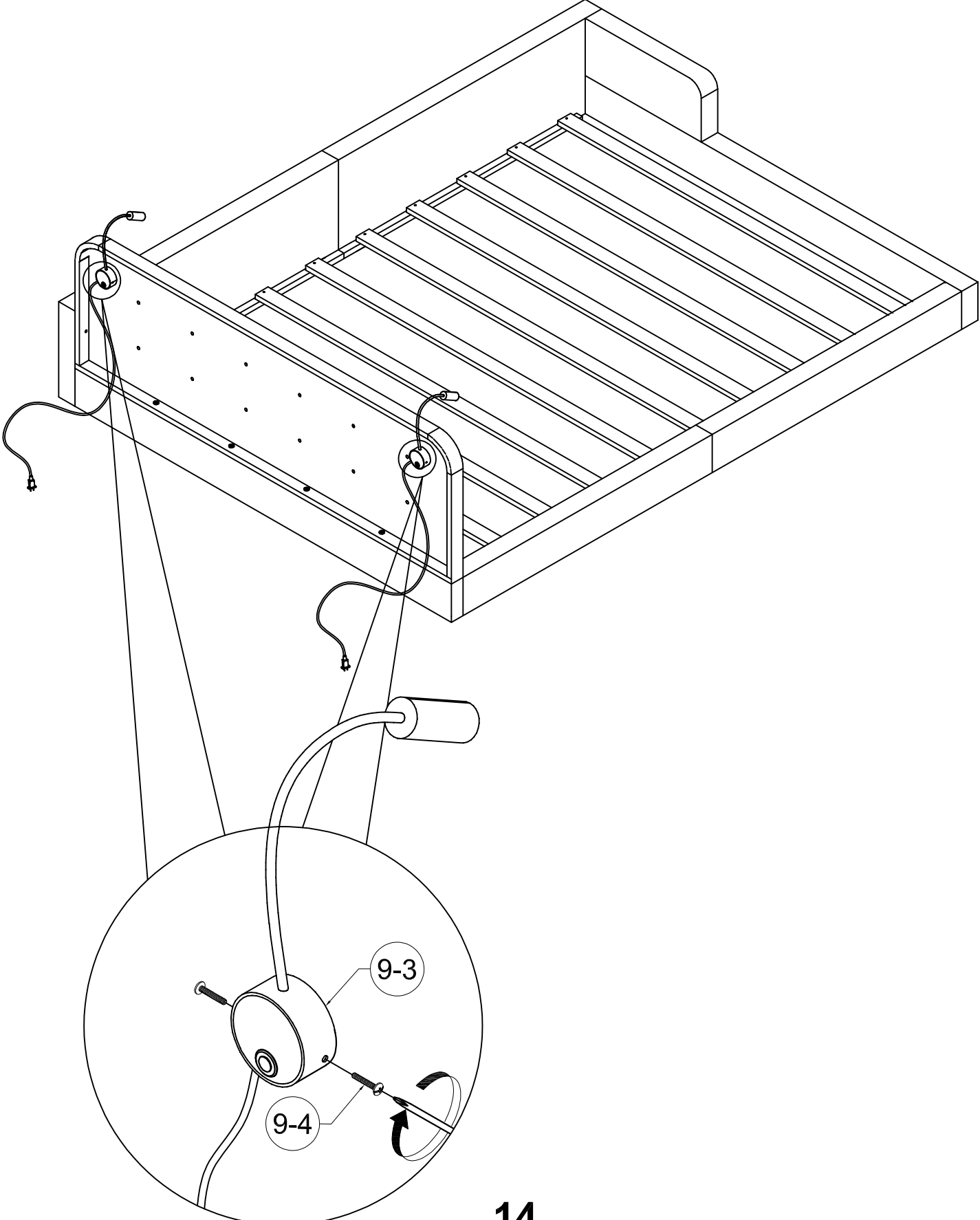
STEP 8: Following below illustration:

9-2	9-1
	
4pcs	2pcs



STEP 9: Following below illustration:

9-4	9-3
	
4pcs	2pcs



FINISH

