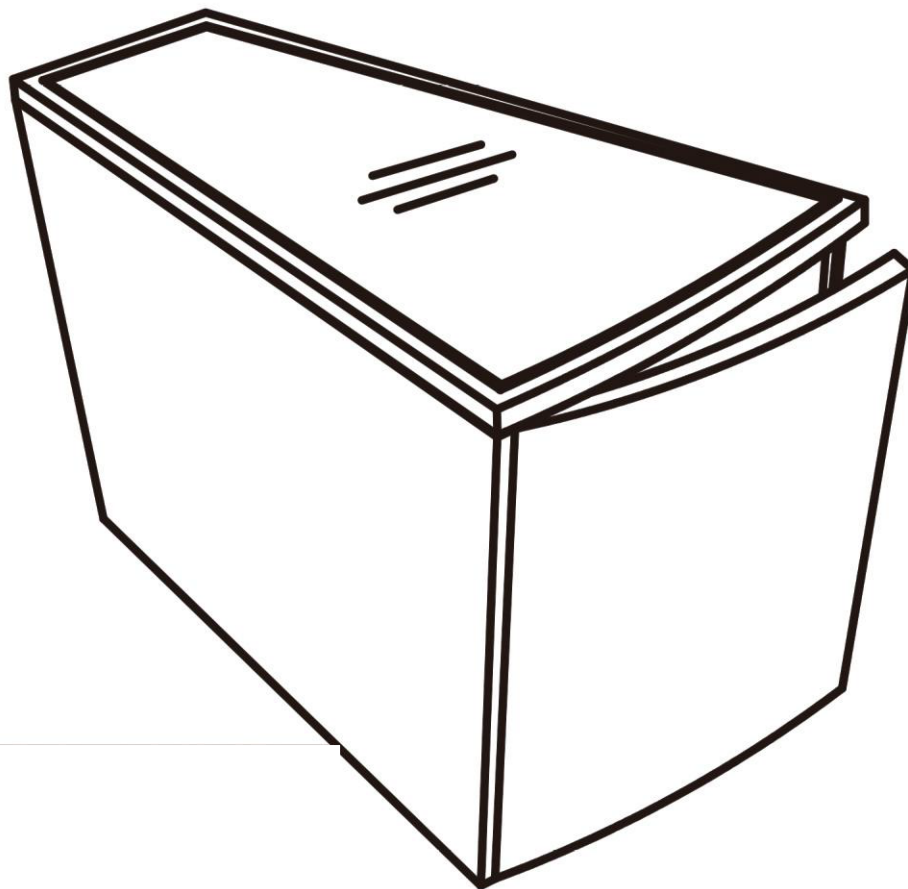
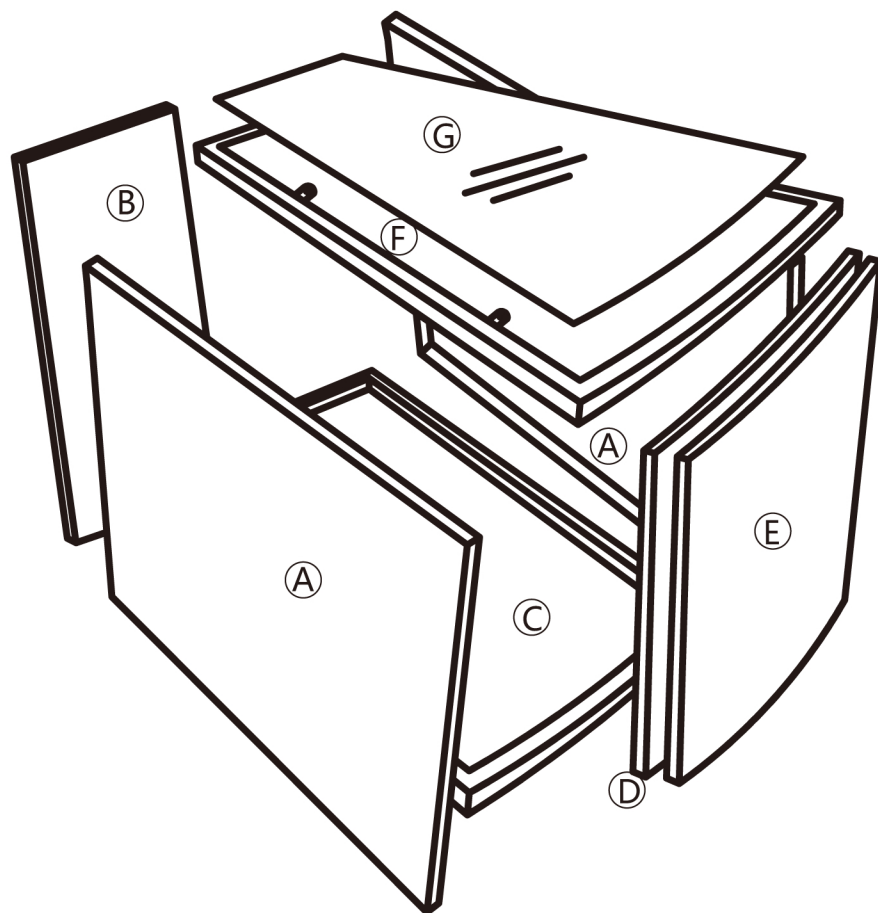


# Side Table Assembly Instruction

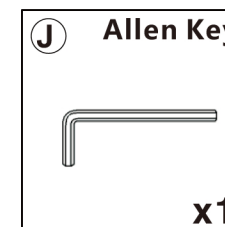
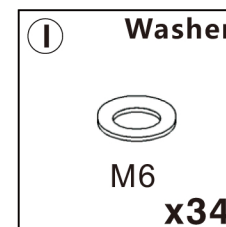
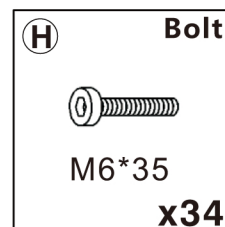


# SIDE TABLE

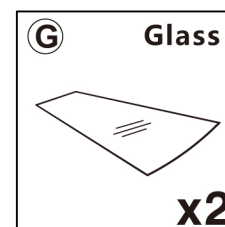
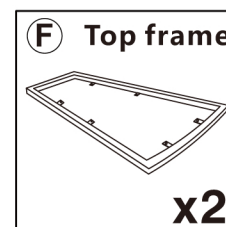
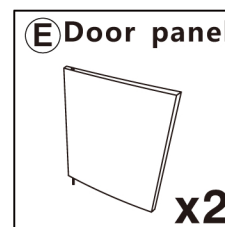
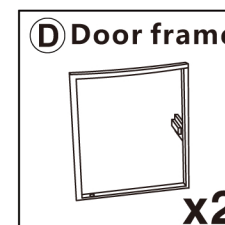
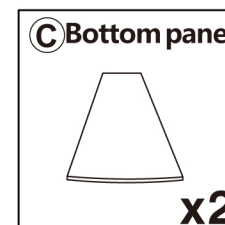
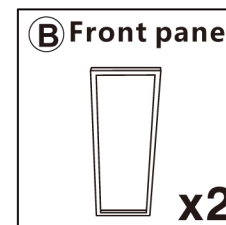
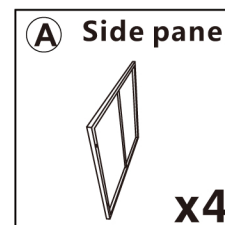


**X2**

## Hardware parts

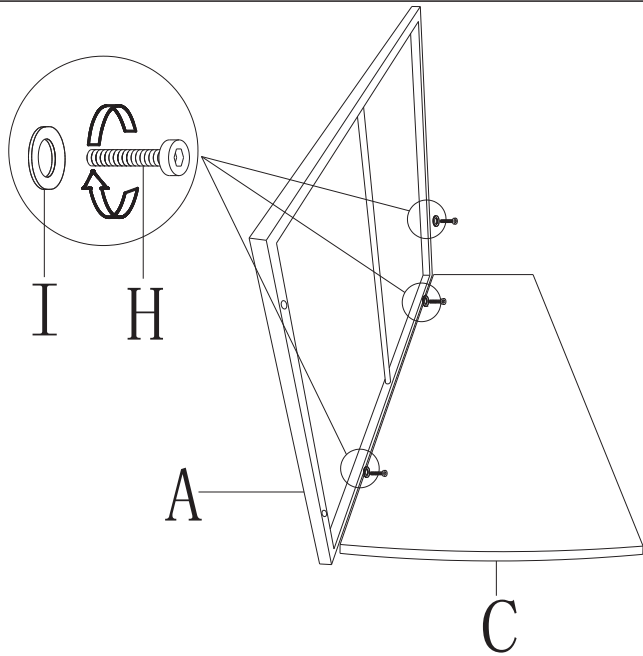


## Main structure accessories



The glass panels are in  
sofa box 1 and sofa box 2.

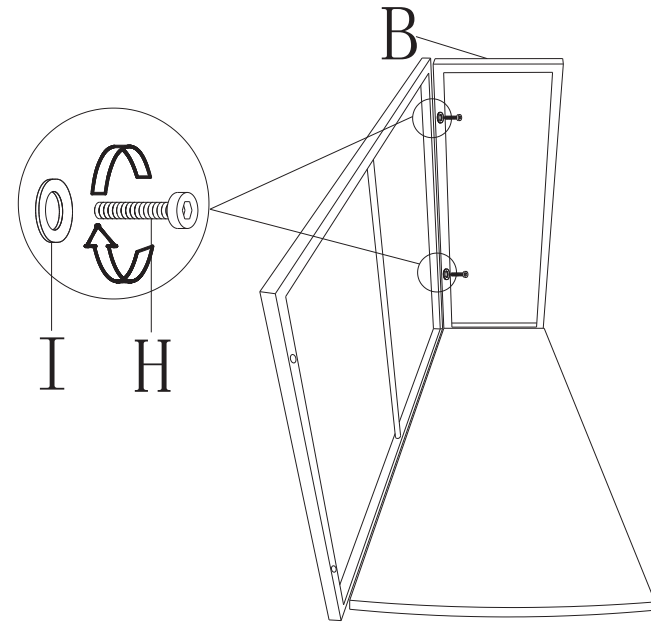
**STEP 1**



**X2**

Please DO NOT tighten the screws at this step yet. Wait to tighten all the screws until the product is fully installed.

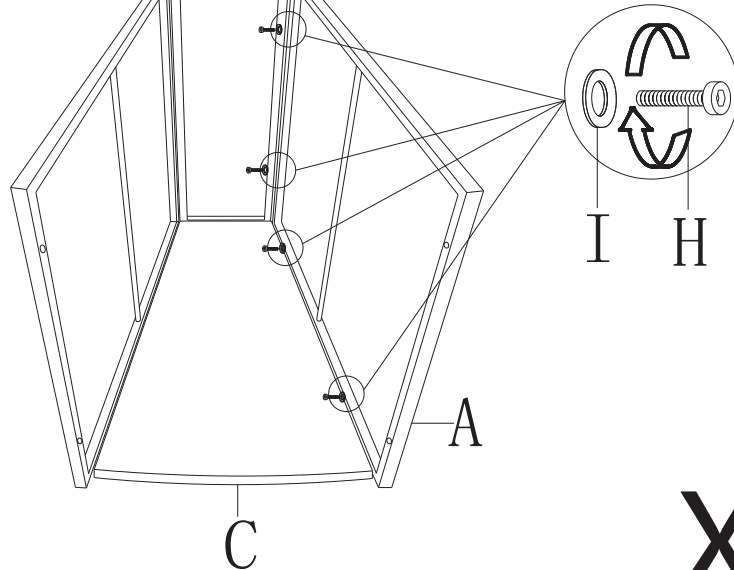
**STEP 2**



**X2**

Please DO NOT tighten the screws at this step yet. Wait to tighten all the screws until the product is fully installed.

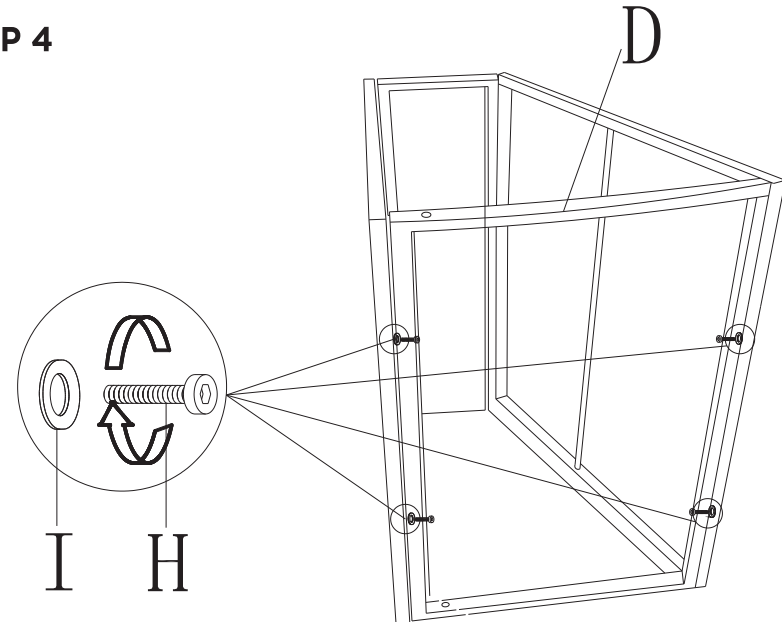
**STEP 3**



**X2**

Please DO NOT tighten the screws at this step yet. Wait to tighten all the screws until the product is fully installed.

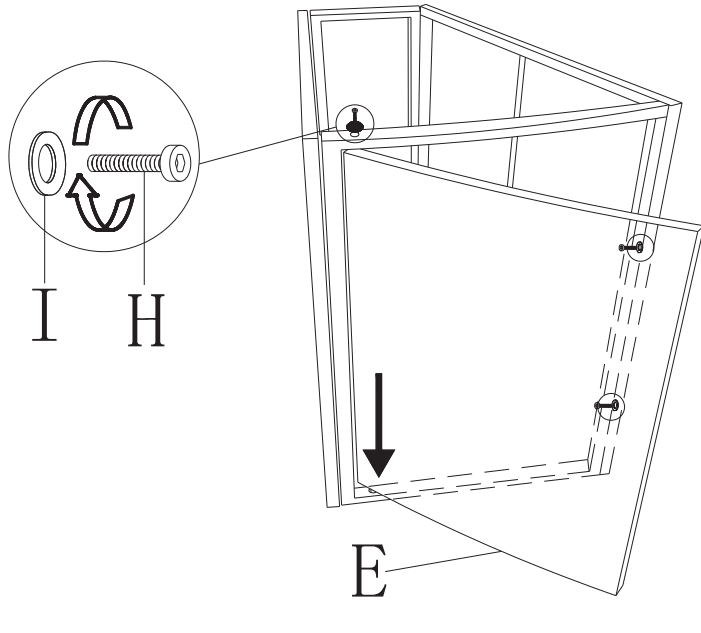
**STEP 4**



**X2**

Please DO NOT tighten the screws at this step yet. Wait to tighten all the screws until the product is fully installed.

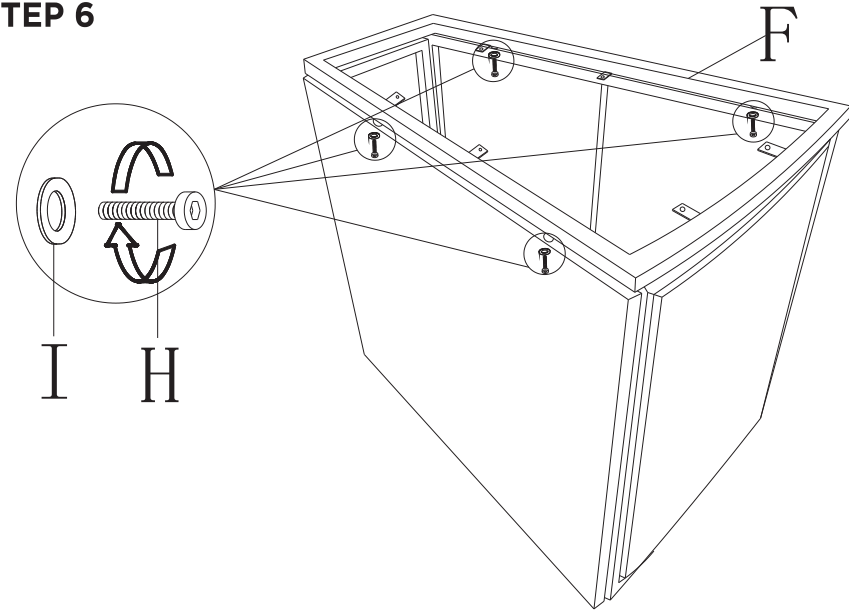
**STEP 5**



**X2**

Please DO NOT tighten the screws at this step yet. Wait to tighten all the screws until the product is fully installed.

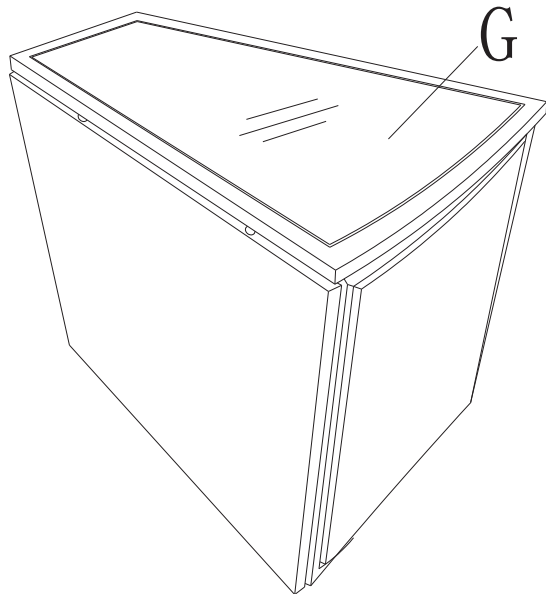
**STEP 6**



**X2**

Please DO NOT tighten the screws at this step yet. Wait to tighten all the screws until the product is fully installed.

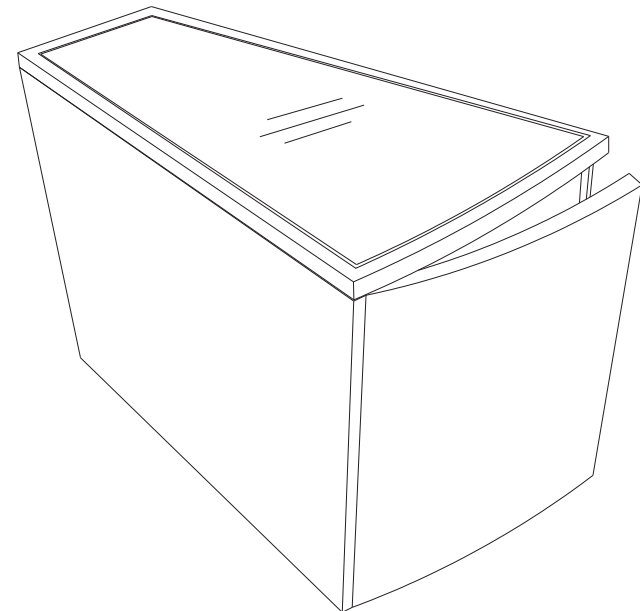
**STEP 7**



**X2**

Please DO NOT tighten the screws at this step yet. Wait to tighten all the screws until the product is fully installed.

**STEP 8**



**X2**