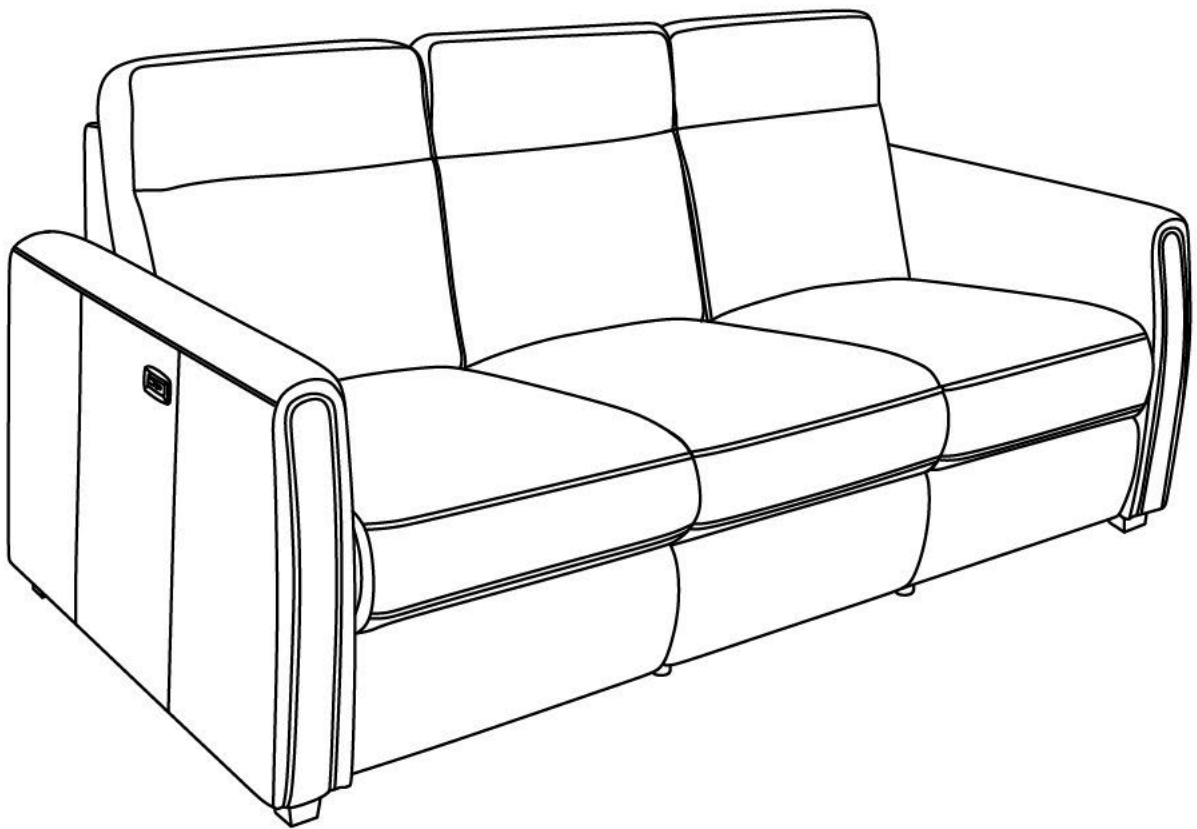


# Power Motion Sofa

## **Assembly Manual**

---



**▲ CAUTION**

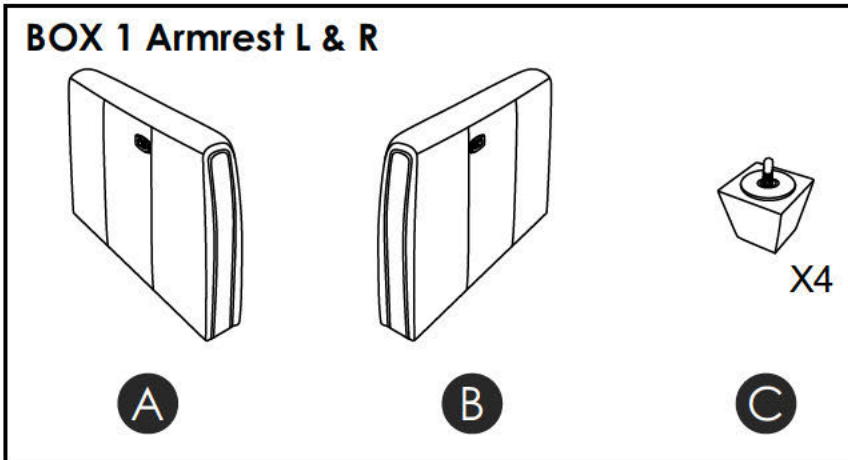
THIS ASSEMBLY MANUAL CONTAINS IMPORTANT SAFETY INFORMATION.

PLEASE READ AND KEEP FOR FUTURE REFERENCE.

---

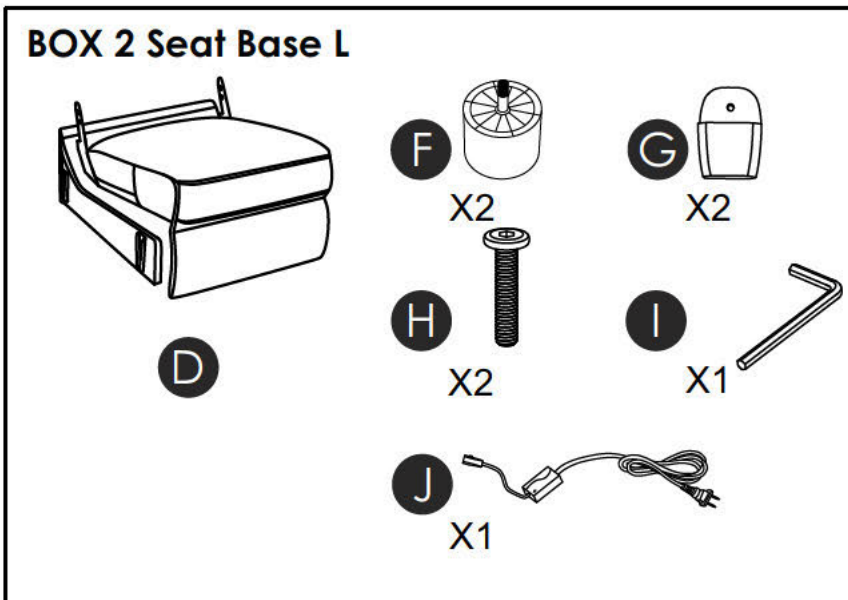
## COMPONENTS

### BOX 1 Armrest L & R



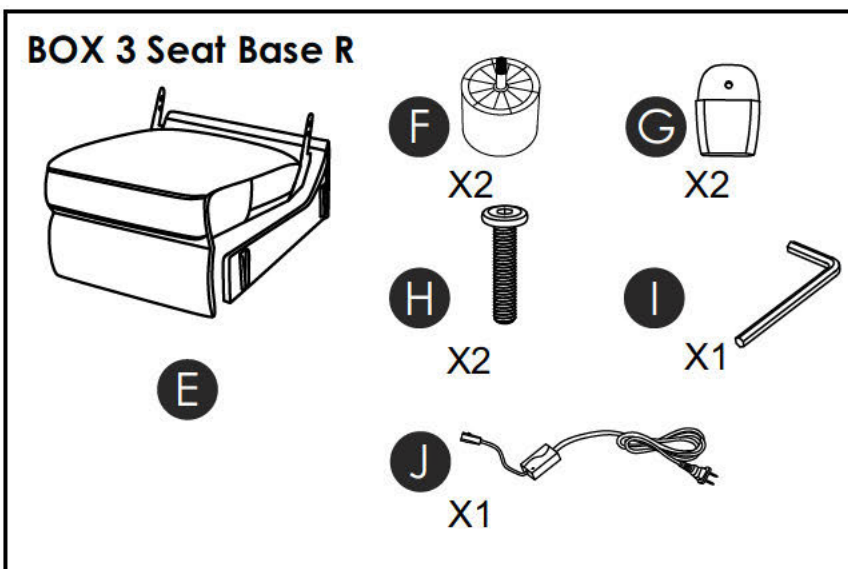
- A** Left Armrest  
1X
- B** Right Armrest  
1X
- C** Wooden Leg  
4X

### BOX 2 Seat Base L



- D** Seat Base-L  
1X
- F** Plastic Leg 1  
2X
- G** Plastic Leg 2  
2X
- H** Bolt  
2X
- I** Hex Key  
1X
- J** Adapter  
1X

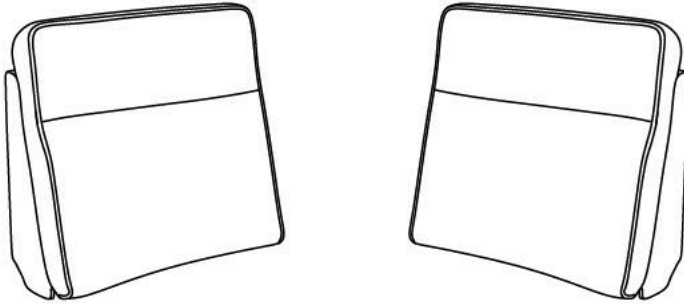
### BOX 3 Seat Base R



- E** Seat Base-R  
1X
- F** Plastic Leg 1  
2X
- G** Plastic Leg 2  
2X
- H** Bolt  
2X
- I** Hex Key  
1X
- J** Adapter  
1X

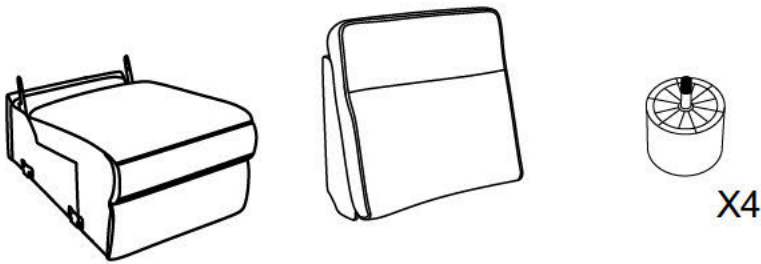
## COMPONENTS

### BOX 4 Backrest of Base L & R



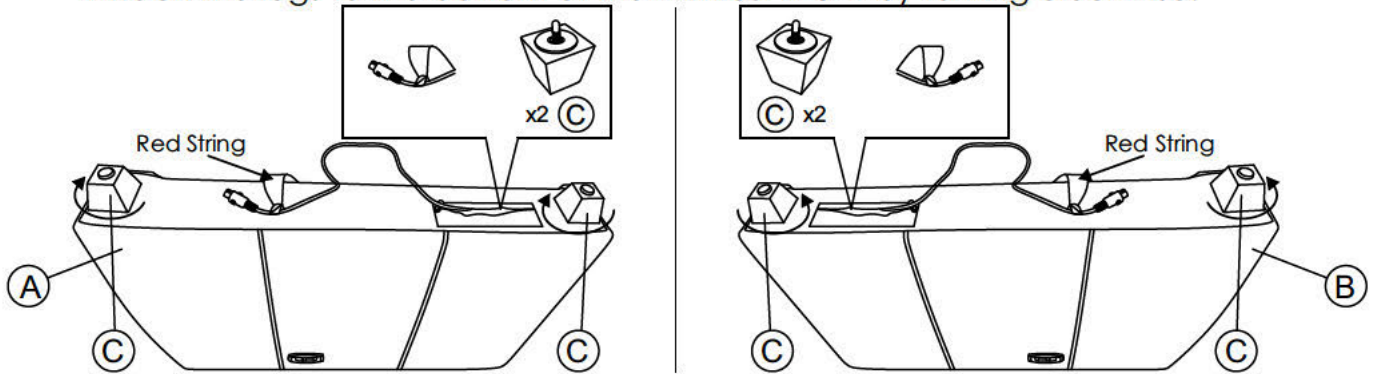
- K** Left Backrest  
1X
- L** Right Backrest  
1X

### BOX 5 Armless Seat

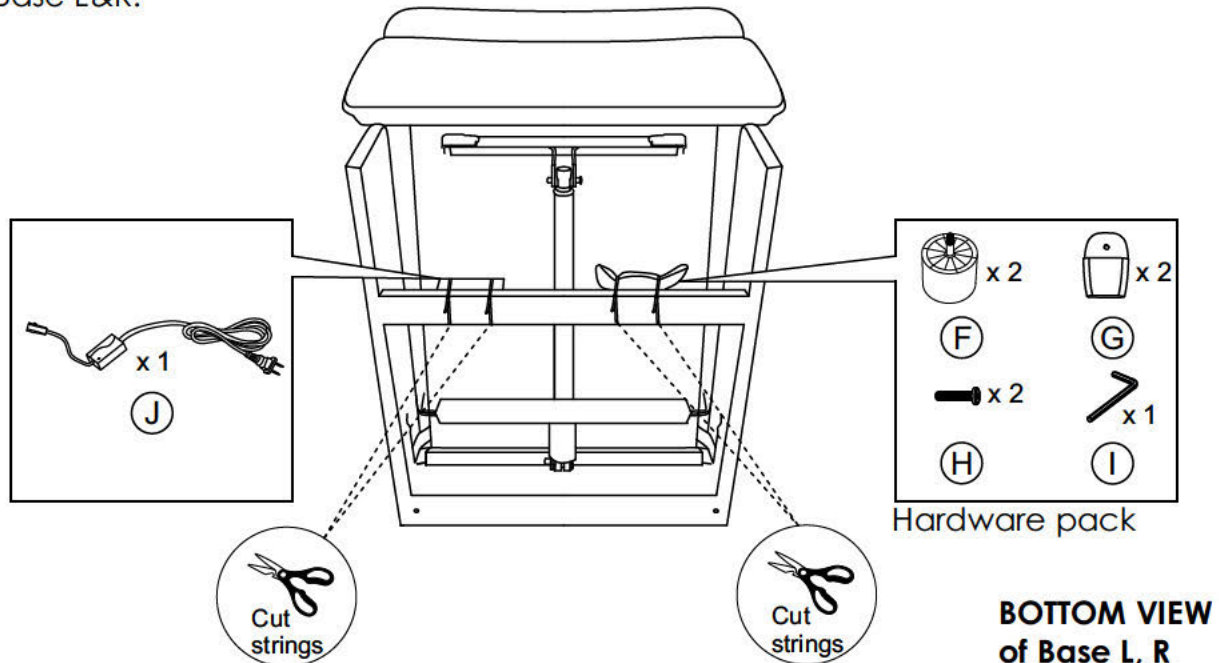


- M** Seat Base  
1X
- N** Backrest  
1X
- F** Plastic Leg 1  
4X

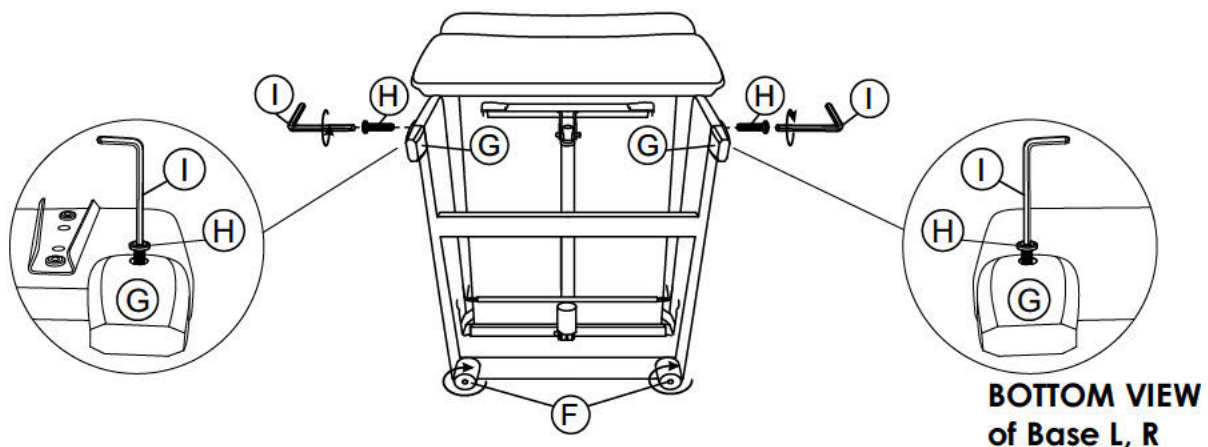
- 1** Locate the Power Control connector and the Wooden legs with the red string at the bottom of Armrest A and B.  
Attach the legs to the bottom of the Armrest A & B by turning clockwise.



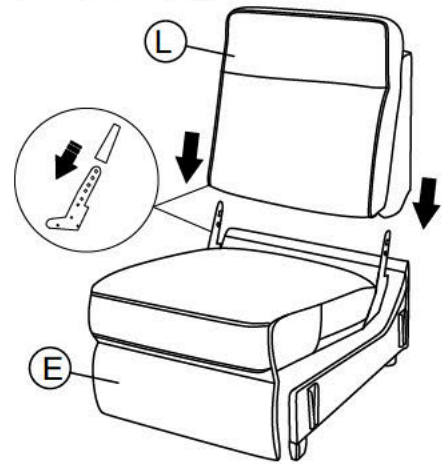
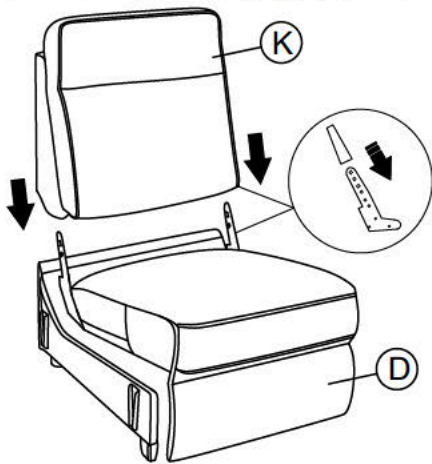
- 2** Locate the Adapter and the Hardware pack with the red string at the bottom of Seat Base L&R.



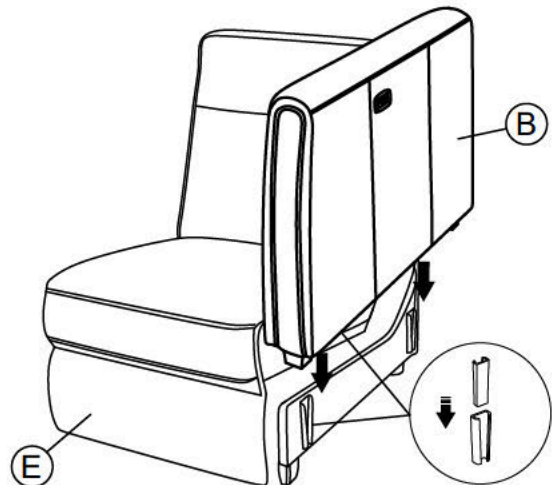
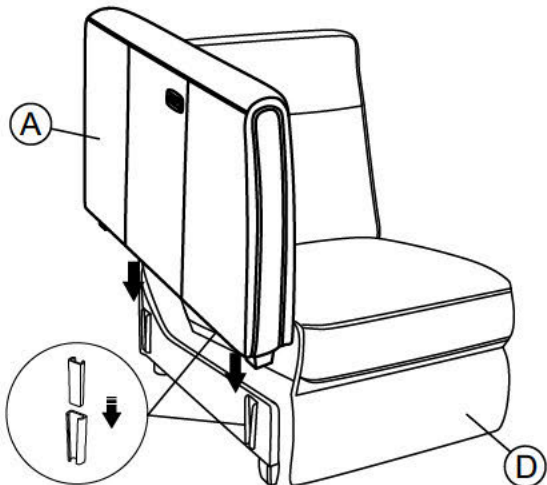
- 3** Attach the Plastic leg 1 (F) to the bottom of the Seat base by turning clockwise.  
Attach the Plastic leg 2 (G) to the bottom of the Seat base with Bolts (H) and Hex key (I).



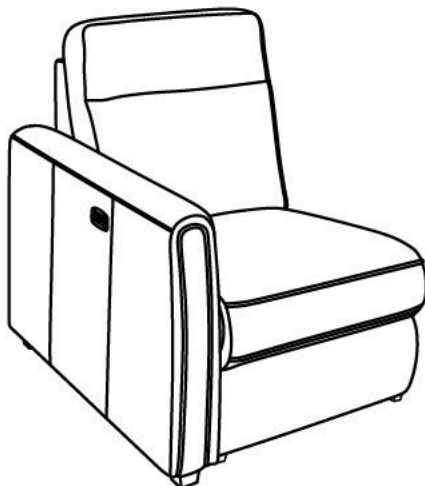
- 4 Attach the Backrest (K)(L) to the Seat Base-L (D), Seat Base-R (E).



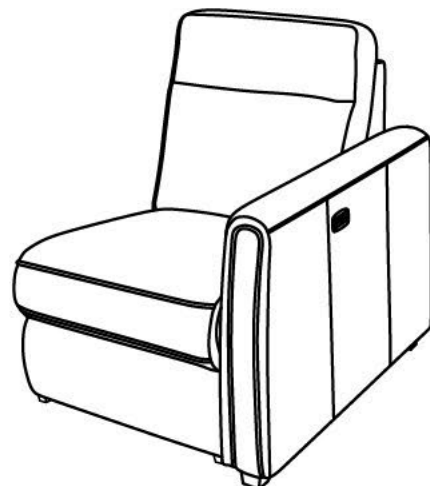
- 5 Attach Left Armrest (A) To Seat Base-L (D), Attach Right Armrest (B) To Seat Base-R (E).



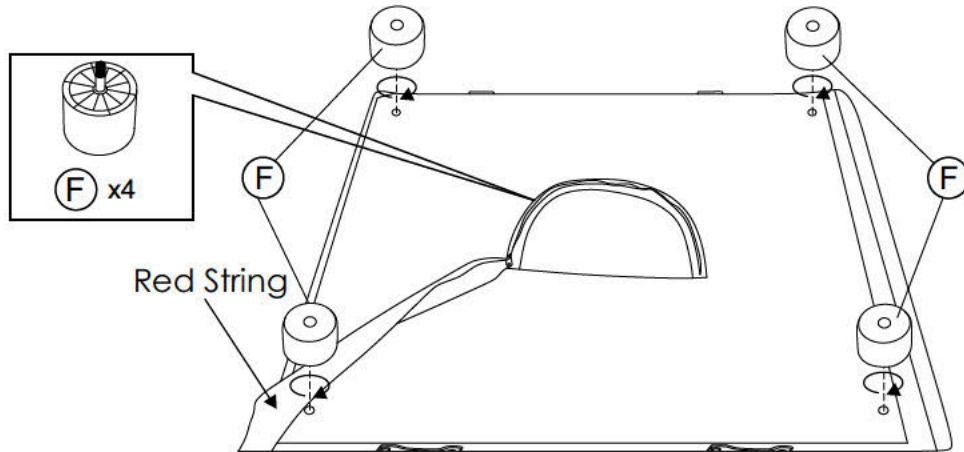
LAF



RAF

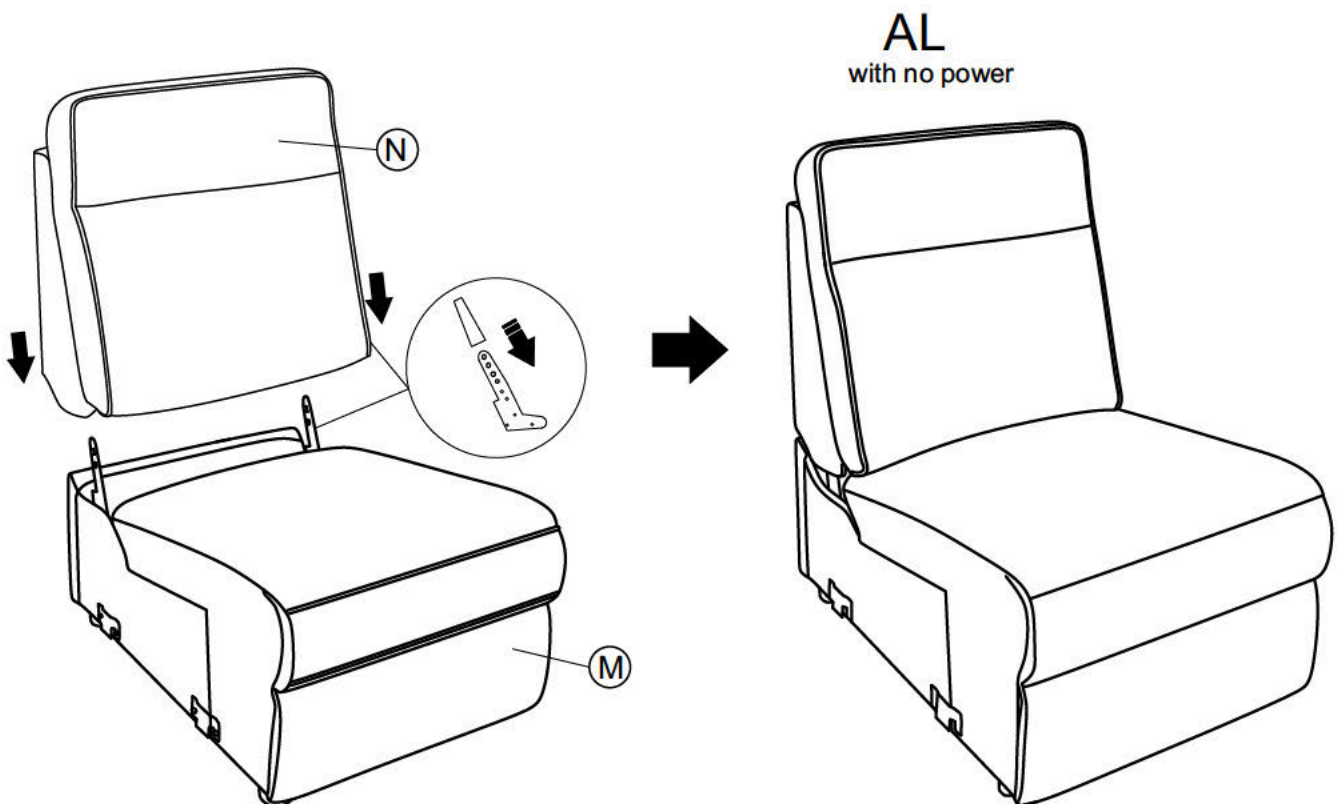


- 6 Locate the Plastic legs 1 (F) with the red string at the bottom of the Armless Seat Base . Attach the Plastic leg 1 (F) to the bottom of the Armless Seat Base by turning clockwise.

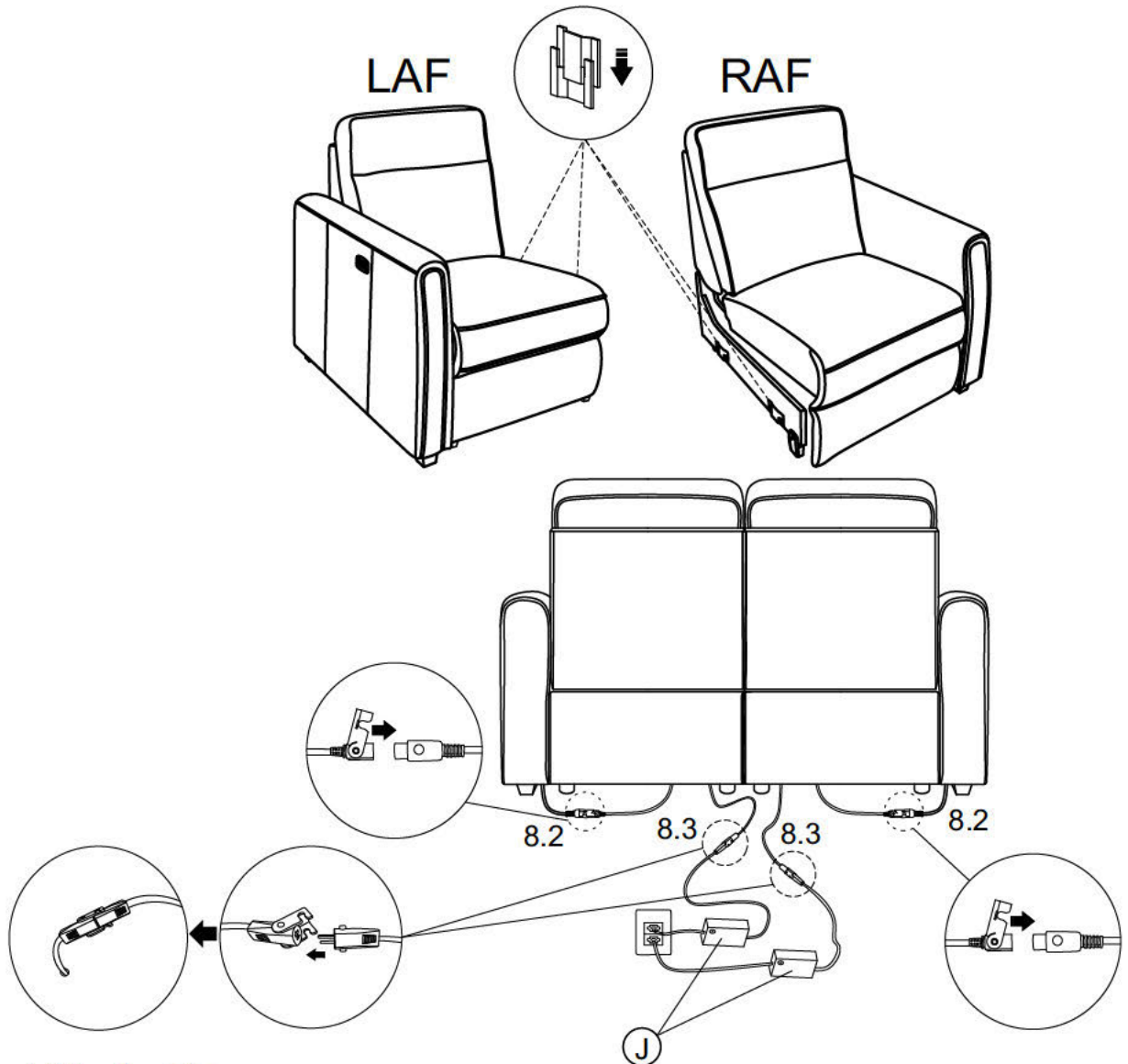


**BOTTOM VIEW**

- 7 Attach the Backrest (N) to the Seat Base (M).



## 8 POWER MOTION LOVESEAT SOFA:

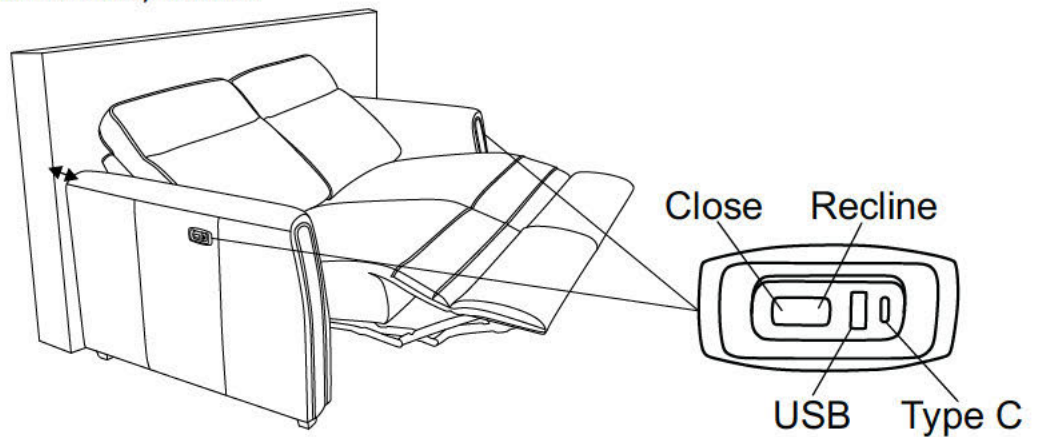


8.1 Attach the LAF to the RAF.

8.2 Connect the Power Cable of the Armrest (A) & (B) to the Seat Base (D) & (E).

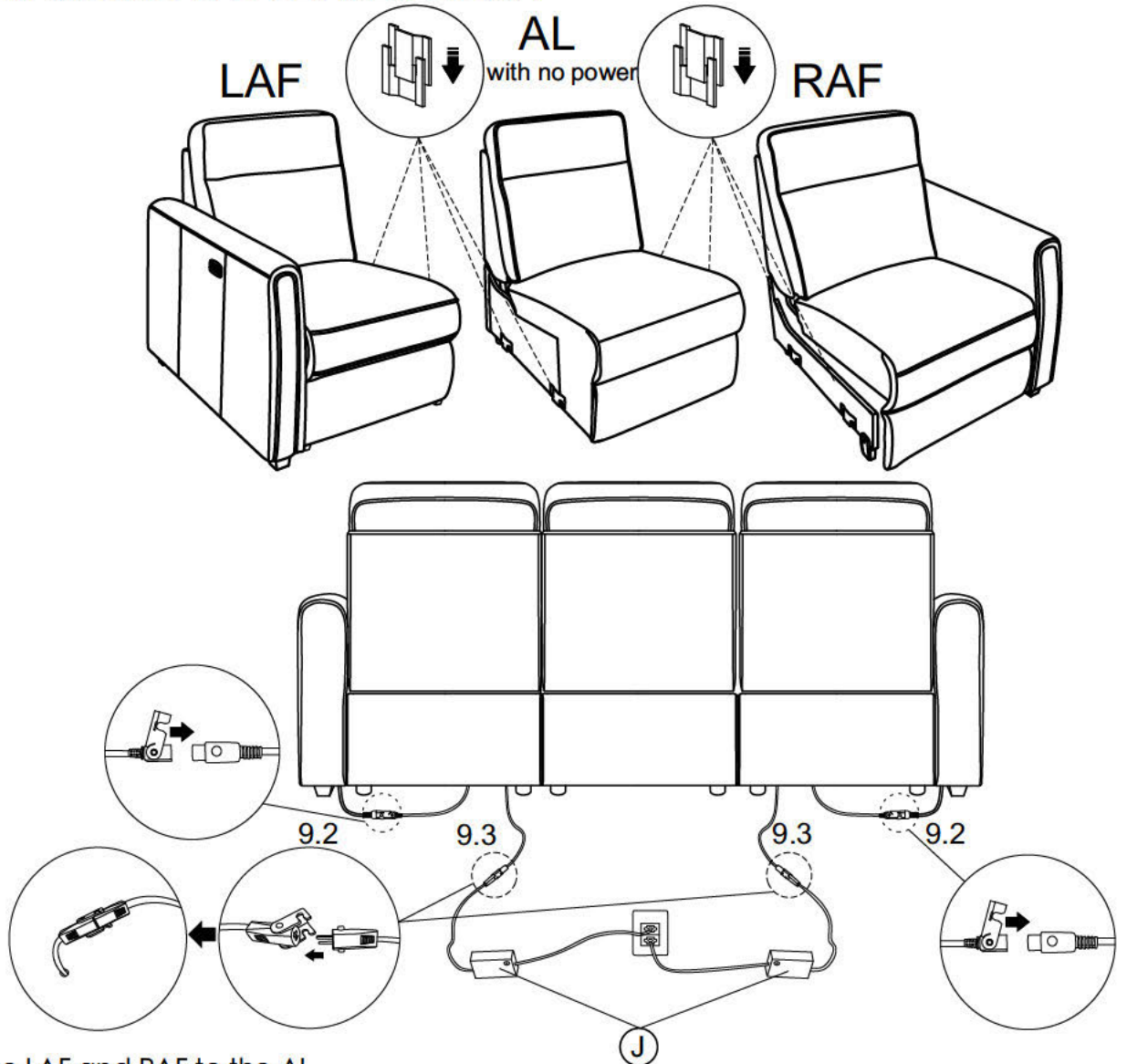
8.3 Connect one end of the Power Adapter to the Connection Jack under the Seat Base, and then connect the Adapter plug to the Power Outlet.

8.4 Assembly completed, it's ready to use.



zero wall clearance

## 9 POWER MOTION 3 SEATER SOFA

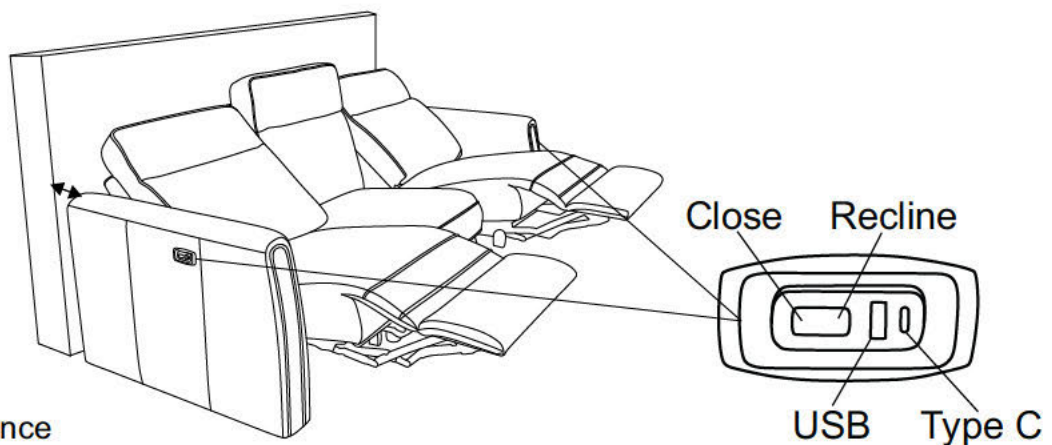


9.1 Attach the LAF and RAF to the AL.

9.2 Connect the Power Cable of the Armrest (A) & (B) to the Seat Base (D) & (E).

9.3 Connect one end of the Power Adapter to the Connection Jack under the Seat Base, and then connect the Adapter plug to the Power Outlet.

9.4 Assembly completed, it's ready to use.



zero wall clearance

# Design Exquisite Furniture For Your Home

---

## PRODUCT WARRANTY

- 1-year limited on cover against splitting, peeling, and/or tearing.
- 1-year limited on internal and external frame structure.
- 1-year limited on cushioning material, seat springs and mechanism.

## Contact us:

We make all efforts to guarantee that the products you receive are in excellent condition. If there are any parts missing or damaged, the Customer Service Team will be happy to provide free replacements for you. We have professional warehouses where the current inventory of parts is enough so that they will arrive in your hands as fast as possible.

Assistance with assembly or product details is available; don't hesitate to get in touch with us to get priority service.