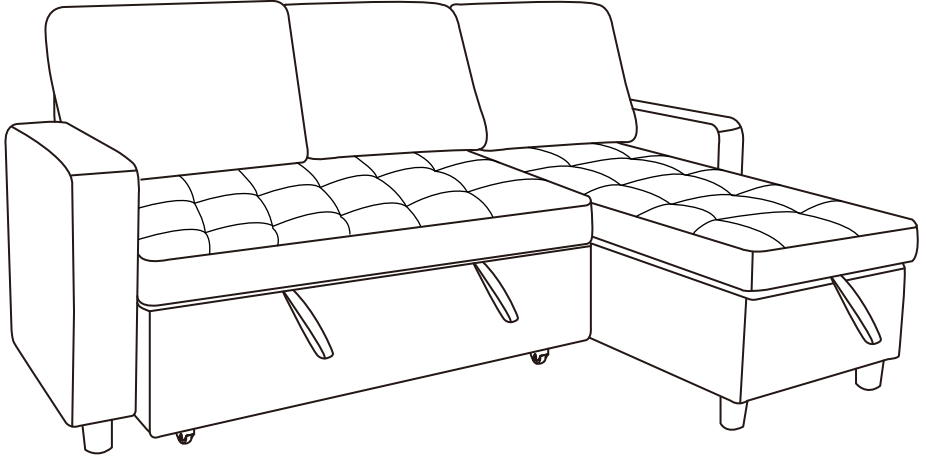


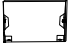
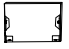
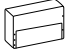
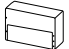
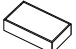











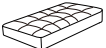
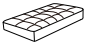
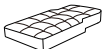

Product Installation Manual

Important Notes:

1. Please read this manual thoroughly before starting the assembly process.
2. Keep this manual in a safe place for future reference.
3. Carefully open the storage seat frame and remove the hardware package.

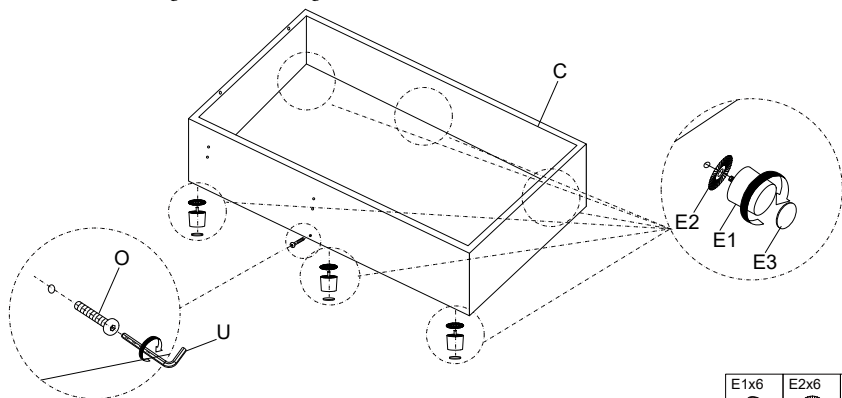
Note: When assembling, tighten the screws only halfway (50%) initially.
Once the assembly is complete, tighten all screws fully.



LABEL		DESCRIPTION	QTY
A1		Backrest	2
A2		Consort's seat backrest	1
B1		Left Armrest	1
B2		Right Armrest	1
C1		Storage Frame	1
C2		Storage cover plate	1
D		Seat cushion mesh bag	1
E1		Sofa Leg	10
E2		Plastic Gasket	10
E3		Felt foot pad	10
F1		Left pulley linkage	1
F2		Right pulley linkage	1
G		Activity frame cover plate	1
H1		Front Panel	1
H2		Side Panel	2
I		Rear pole of activity frame	1
J1		Seat Cushion(Big)	1
J2		Activity frame cushion(Small)	1
J3		Noble Consort Seat Cushion	1
J4		Back Cushion	2

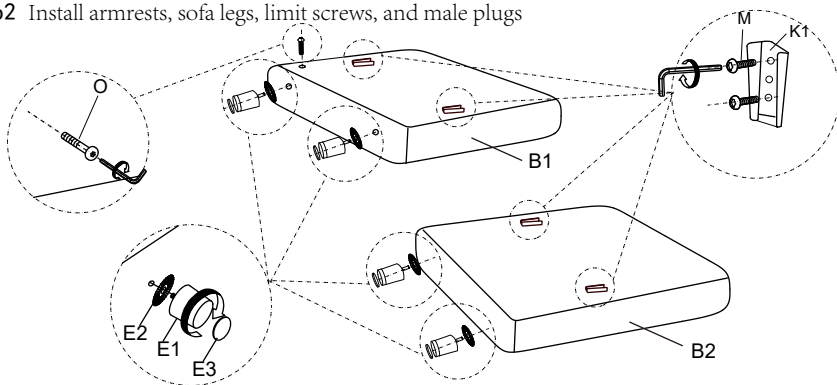
LABEL		DESCRIPTION	QTY
J5		Consort's Seat Back Cushion	1
K1		female plug	6
K2		Male plug	2
L		M6x20mm	4+1
M		M6x15mm	40+1
N		M6x30mm	9+1
O		M6x60mm	2+1
P		M6x40mm	6+1
Q		Washer	6+1
R1		M6x30mm	4
R2		One hand twisted rubber nut	2
S		Seat support block	7
T		Corner Brace	4
U		Allen Key	1
V		Backrest cloth cover	1
W1		Left connecting rod	1
W2		Right connecting rod	1

Step1 Install storage frame sofa legs and limit screws



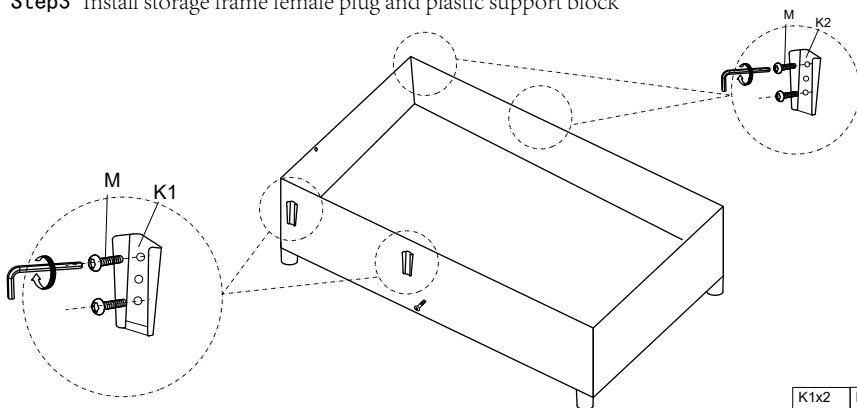
E1x6	E2x6	E3x6	Ox1	Ux1

Step2 Install armrests, sofa legs, limit screws, and male plugs



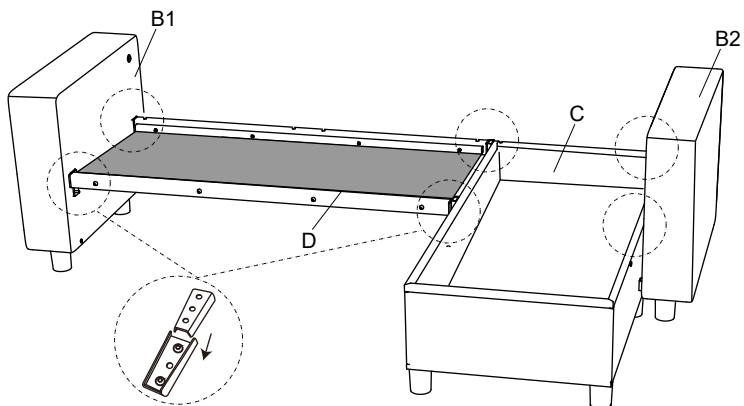
K1x4	E1x4	E2x4	E3x4	Ox1	M x8	Ux1

Step3 Install storage frame female plug and plastic support block

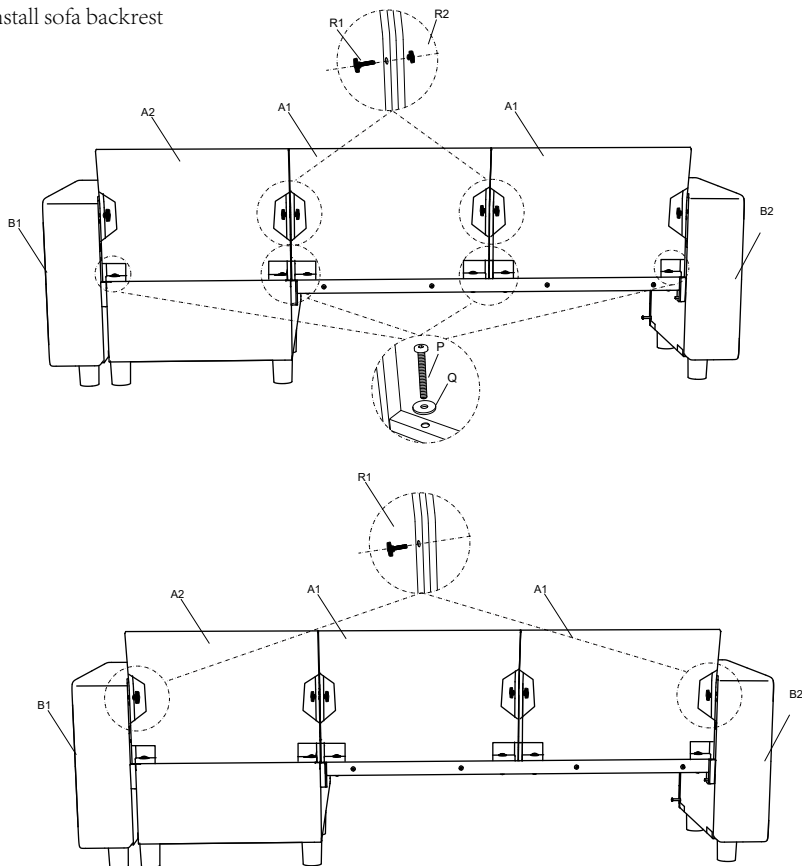


K1x2	K2x2	M x8	Ux1

Step4 Assemble and connect the sofa

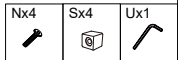
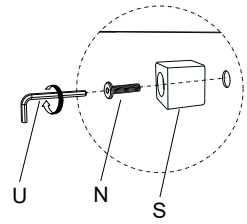
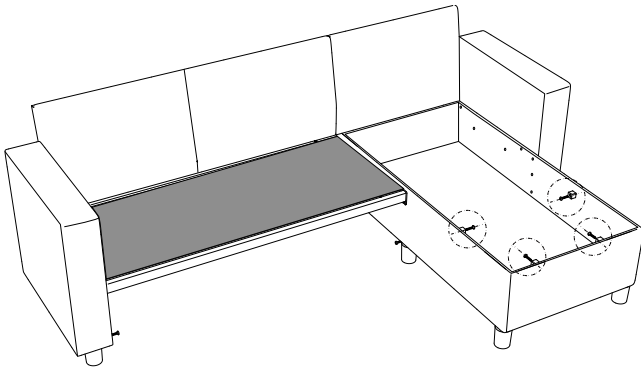


Step5 Install sofa backrest

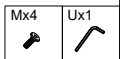
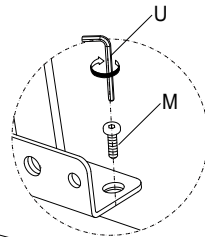
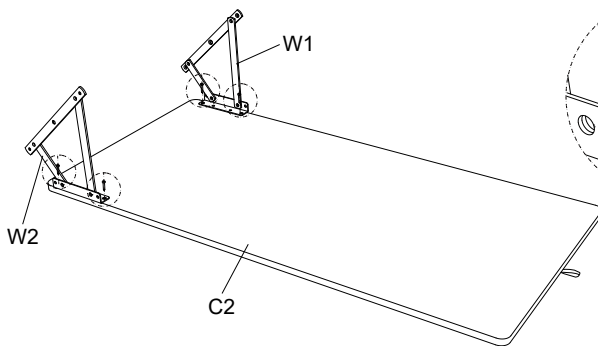


R1x4	R1x2	Px6	Qx6	Ux1

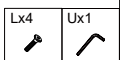
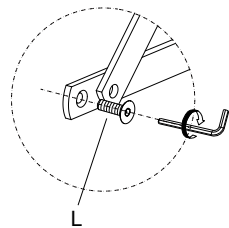
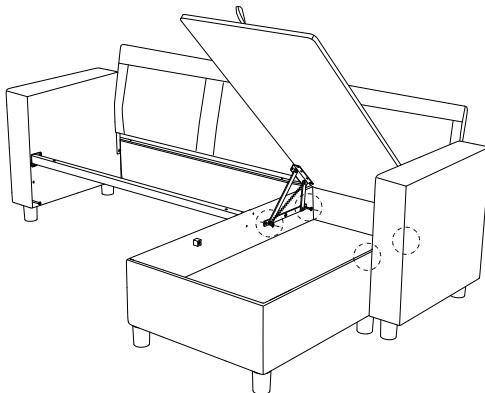
Step6 Install seat limit support block.



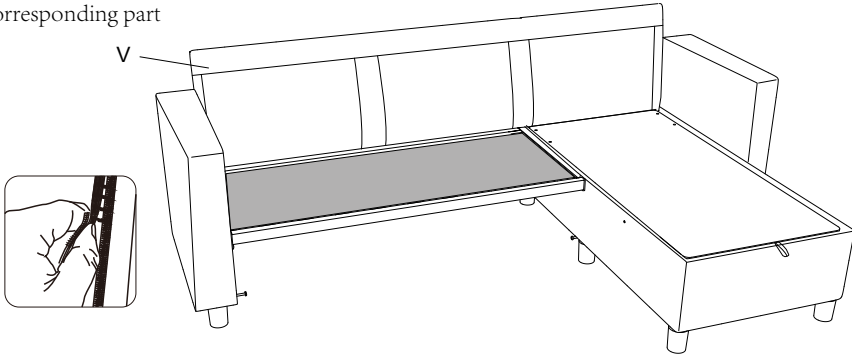
Step7 Connection between hinge and storage board.



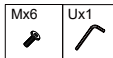
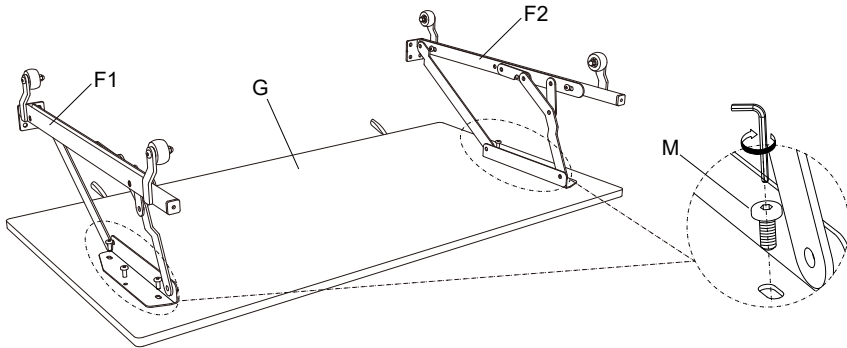
Step8 Connect the hinge to the storage box.



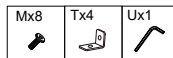
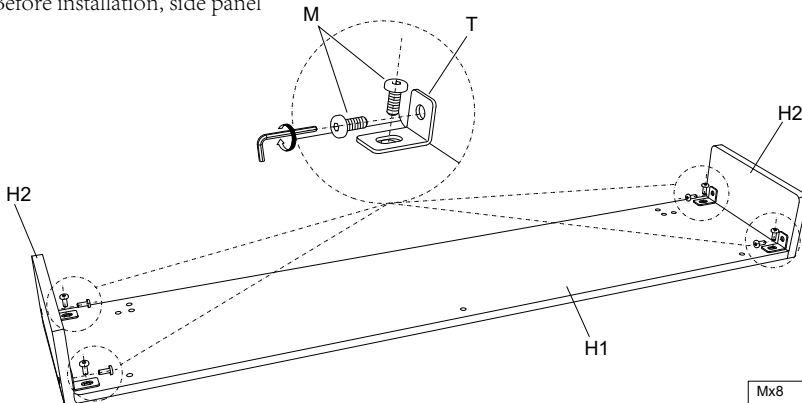
Step9 Tear off the Velcro seal on the backrest, put on the sofa backrest cloth cover, and paste the corresponding part



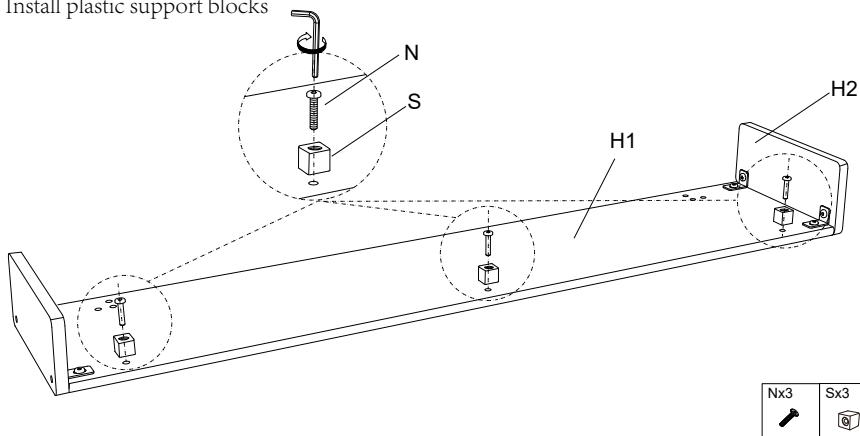
Step10 Install the roller link and connect the movable frame cover plate



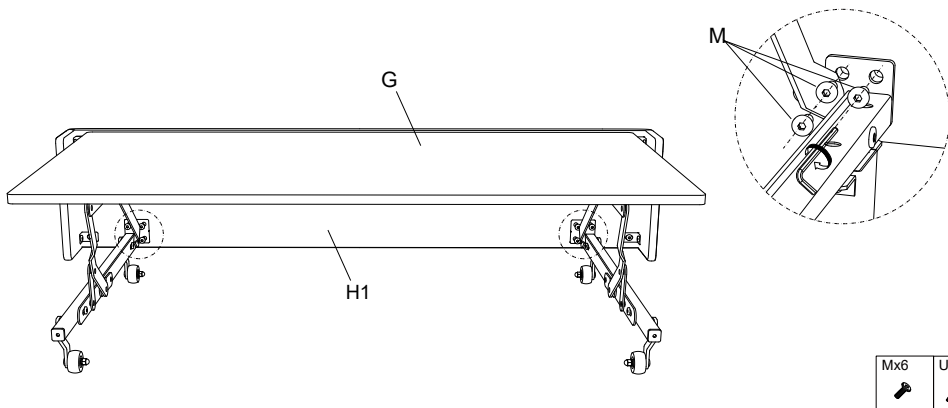
Step11 Before installation, side panel



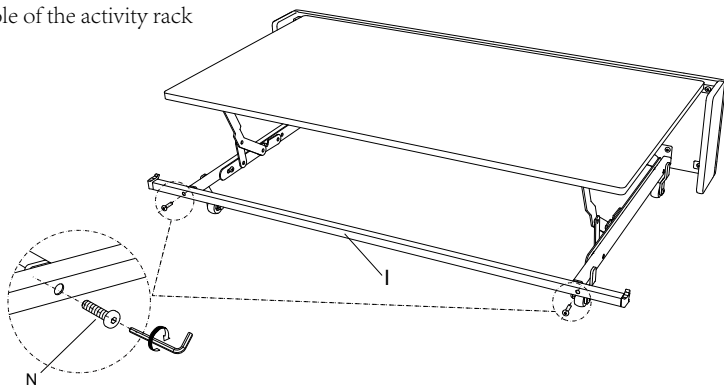
Step12 Install plastic support blocks



Step13 Connect the baffle to the movable seat frame

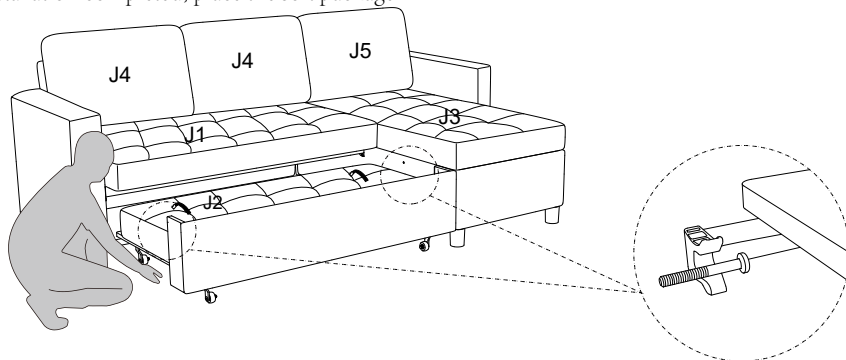


Step14 Install the rear pole of the activity rack



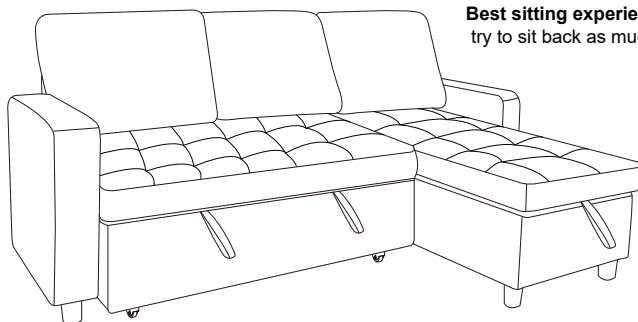
Note: After all components are assembled, tighten all screws.

Step15 Installation completed, place the soft package



Note: Lift the movable frame and place the limit piece behind the screw.
After placing the activity frame, place the seat cushion

Step16 Sofa combination form display



Best sitting experience suggestion:
try to sit back as much as possible.

or

