



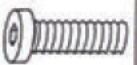




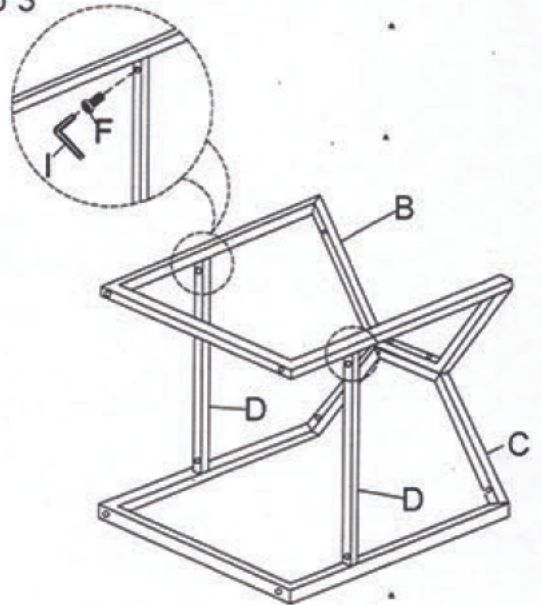


# ASSEMBLY INSTRUCTION

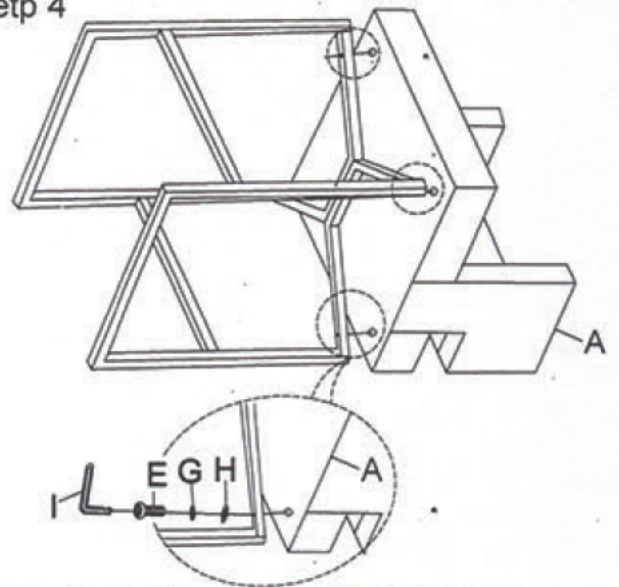
NO.	PART	QTY
A	 Backrest	1
B	 Left leg	1
C	 Right leg	1
D	 Rail	2

NO.	HARDWARE	QTY
E	 Bolt M6*38MM	6
F	 Bolt M6*15MM	4
G	 Washer M6	6
H	 Flat Washer M6*16MM	6
I	 Allen Key 4MM	1

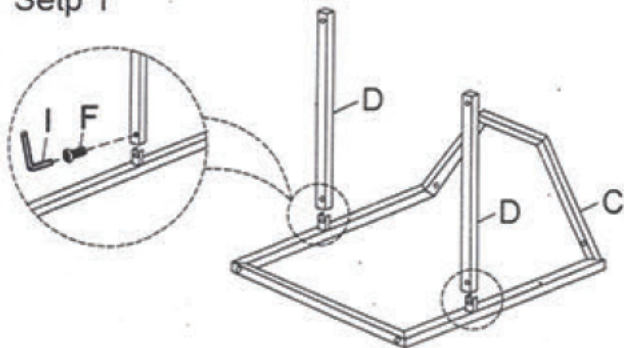
Setp 3



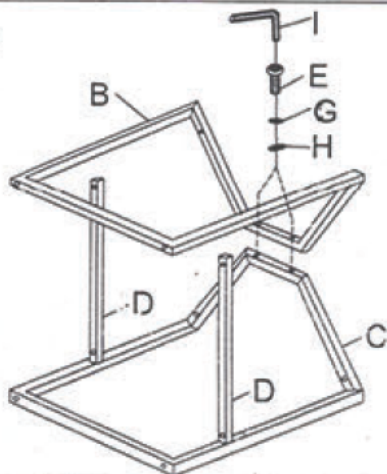
Setp 4



Setp 1



Setp 2



Setp 5

