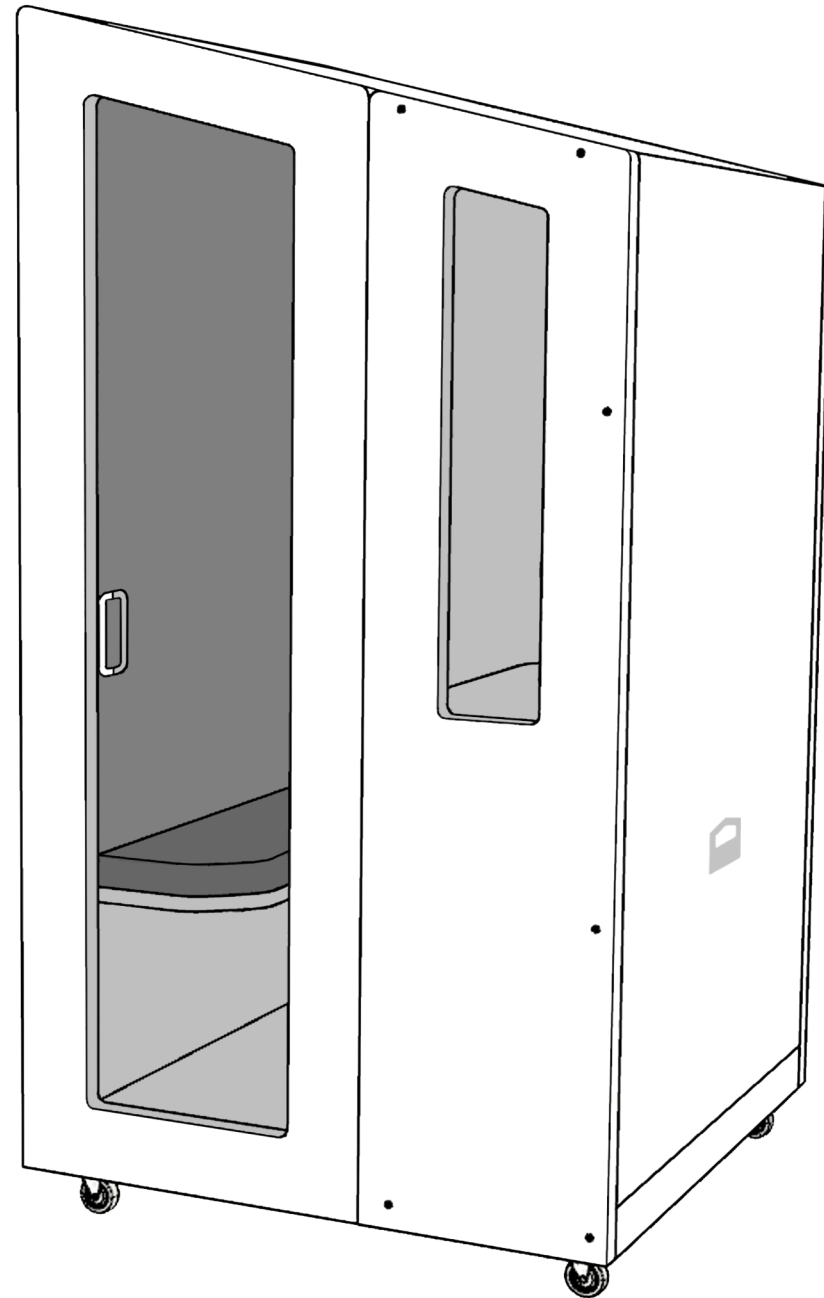




NOOK

SOLO POD

Assembly Instructions





Nook Parts and Tools Required

Nook Parts

Shell

Roof
Side (Long)
Side (Short)
Base
Castors (4of)

Door Optional

Door (with Handle)
Door Hinge Panel

Rear Wall [Optional]

Rear Wall

Interior

Acoustic Wall Panel
Acoustic Roof Panel (with Vents)
Seat Bracket (2of)
Table Leg Assembly (with Fans)
Table Leg Cupboard (with Power)
Table Top
Seat
Seat Cushion
Seat Cushion Wall

General

Hardware Kit

A minimum of 2 people
required for construction

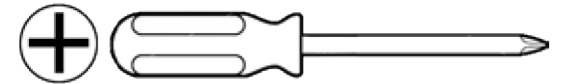


Tools Required

Allen Key 4mm + 5mm



Phillips Screwdriver



Socket Wrench & 13mm Hex Socket

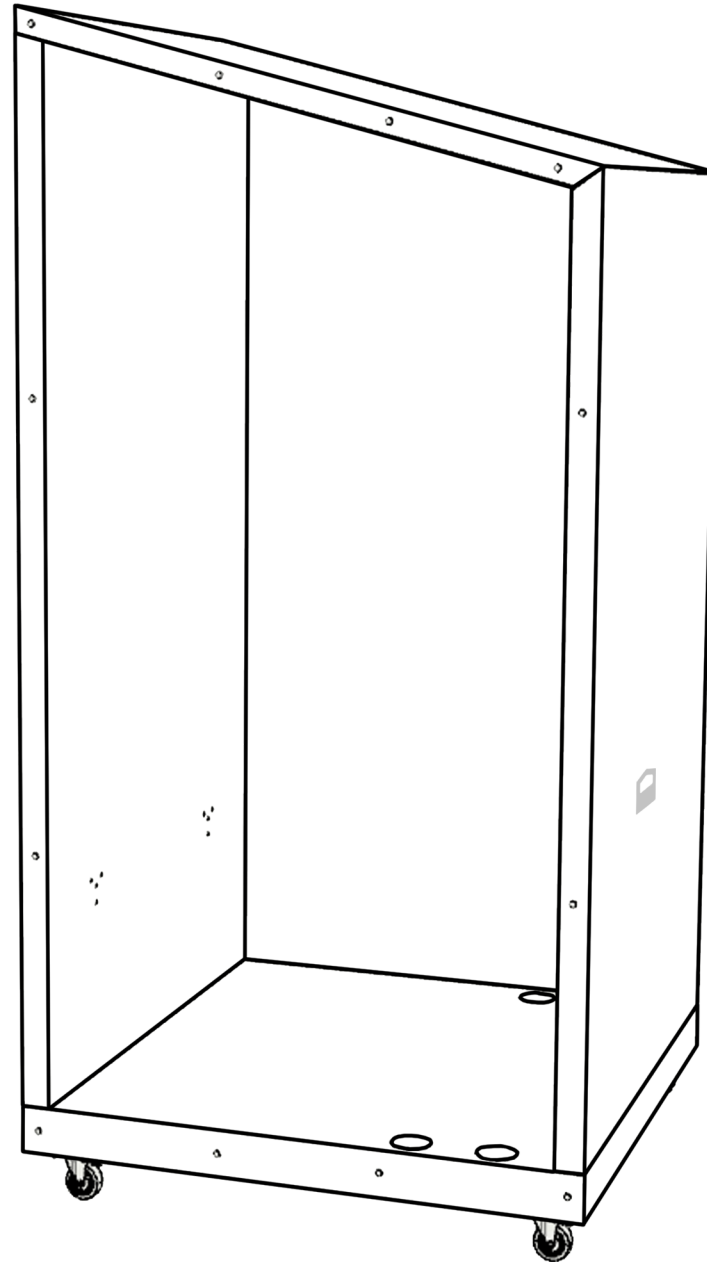
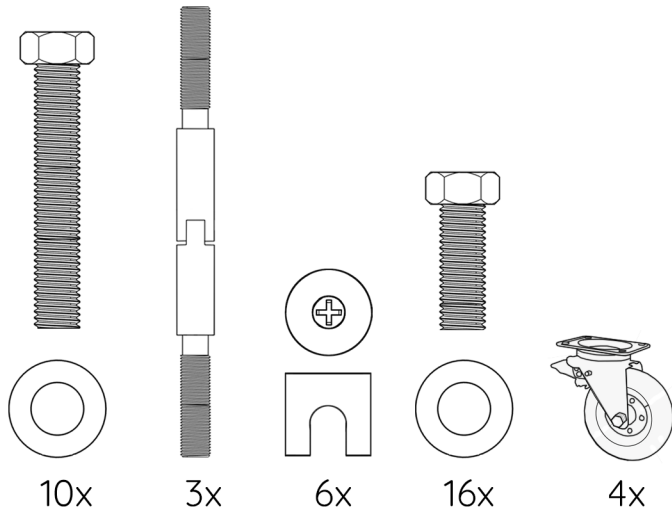




Section A

Shell

Parts Required:





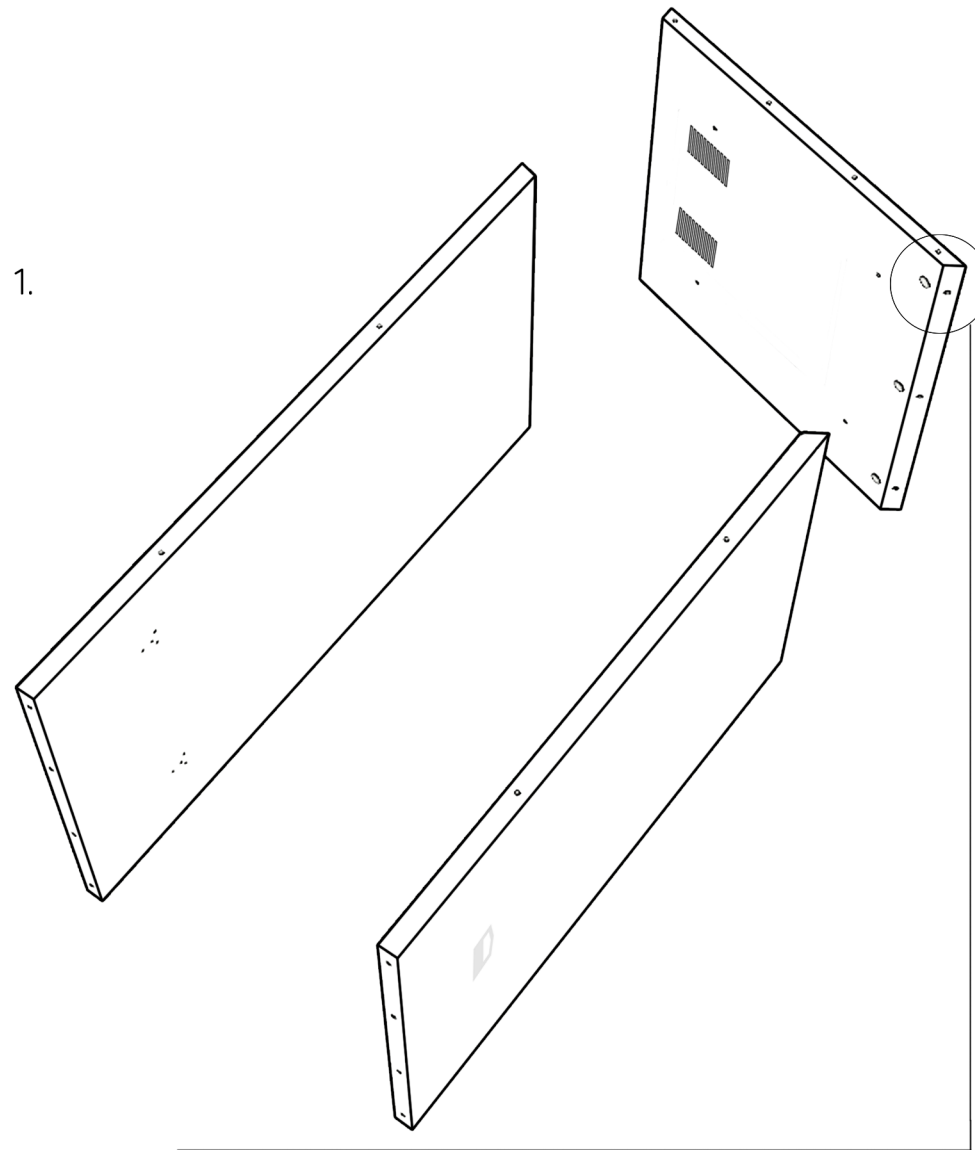
Section A

1. Layout the Front and Back Shell, with the Roof aligned above.
2. Insert Zip-Bolts in the 3 angled holes.
3. Place the Zip-Bolt Screw Head onto the Bolt.
4. Turn the Zip-Bolt to catch the Screw Head and Screw in place. Turn the Zip-Bolt until it is half way.

Zip-Bolt Installation Video

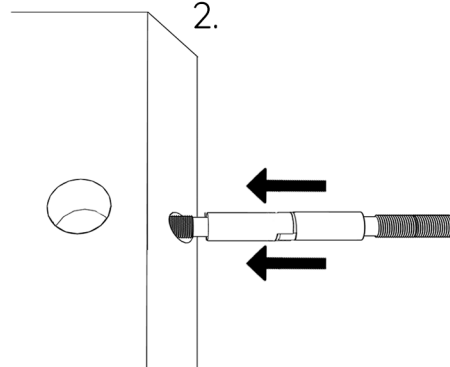


1.

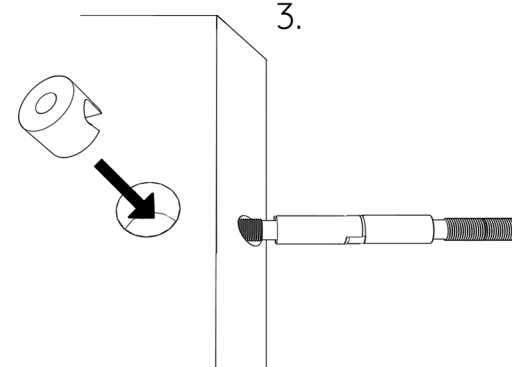


Overview

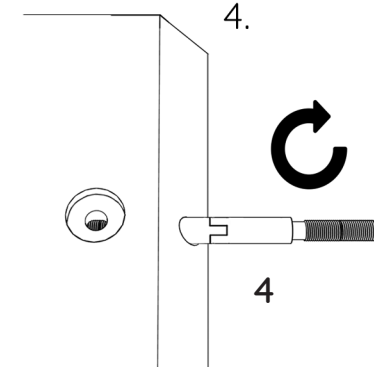
2.



3.



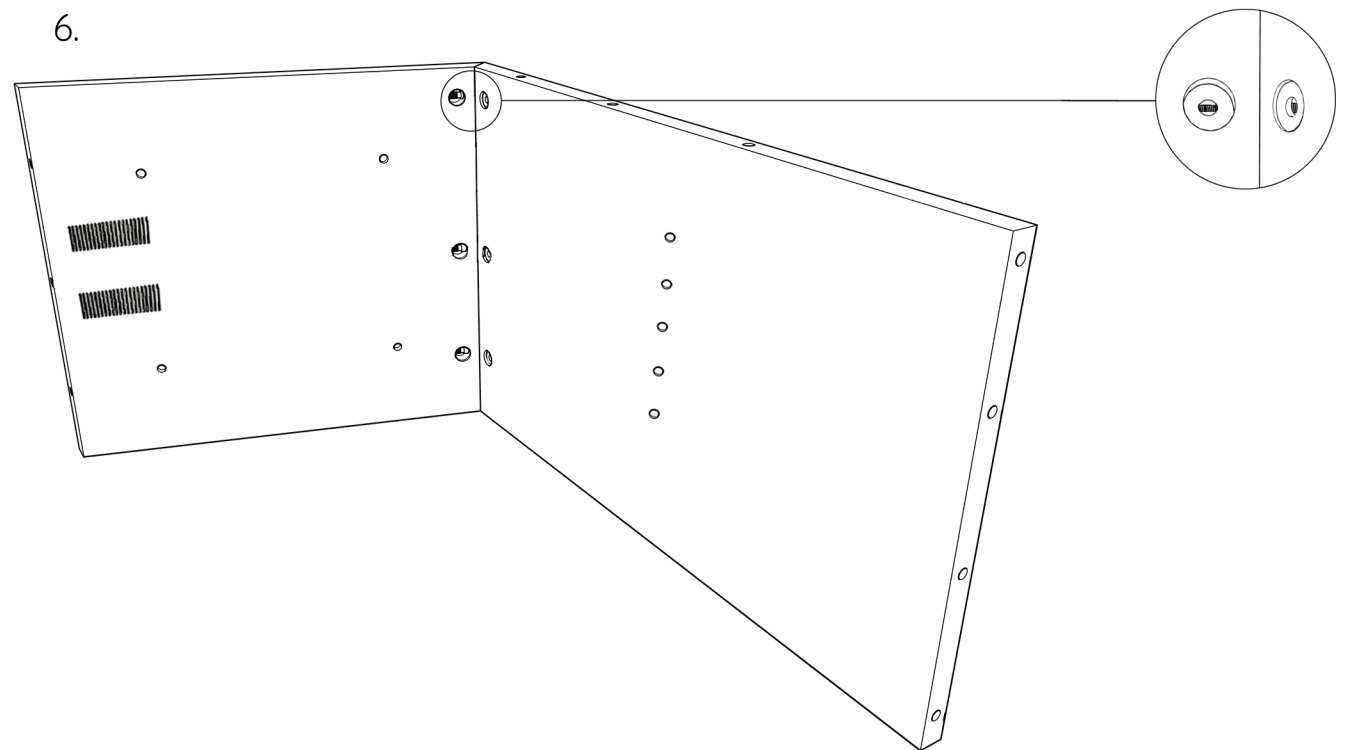
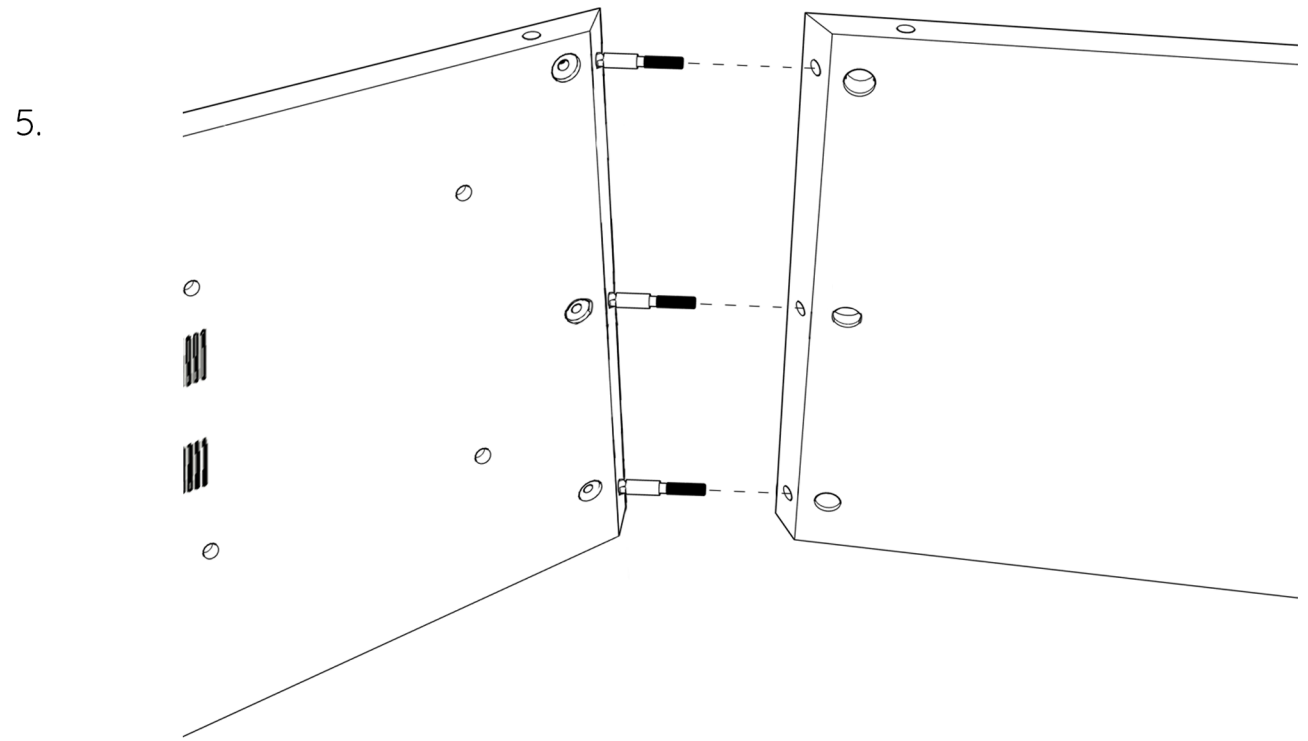
4.





Section A

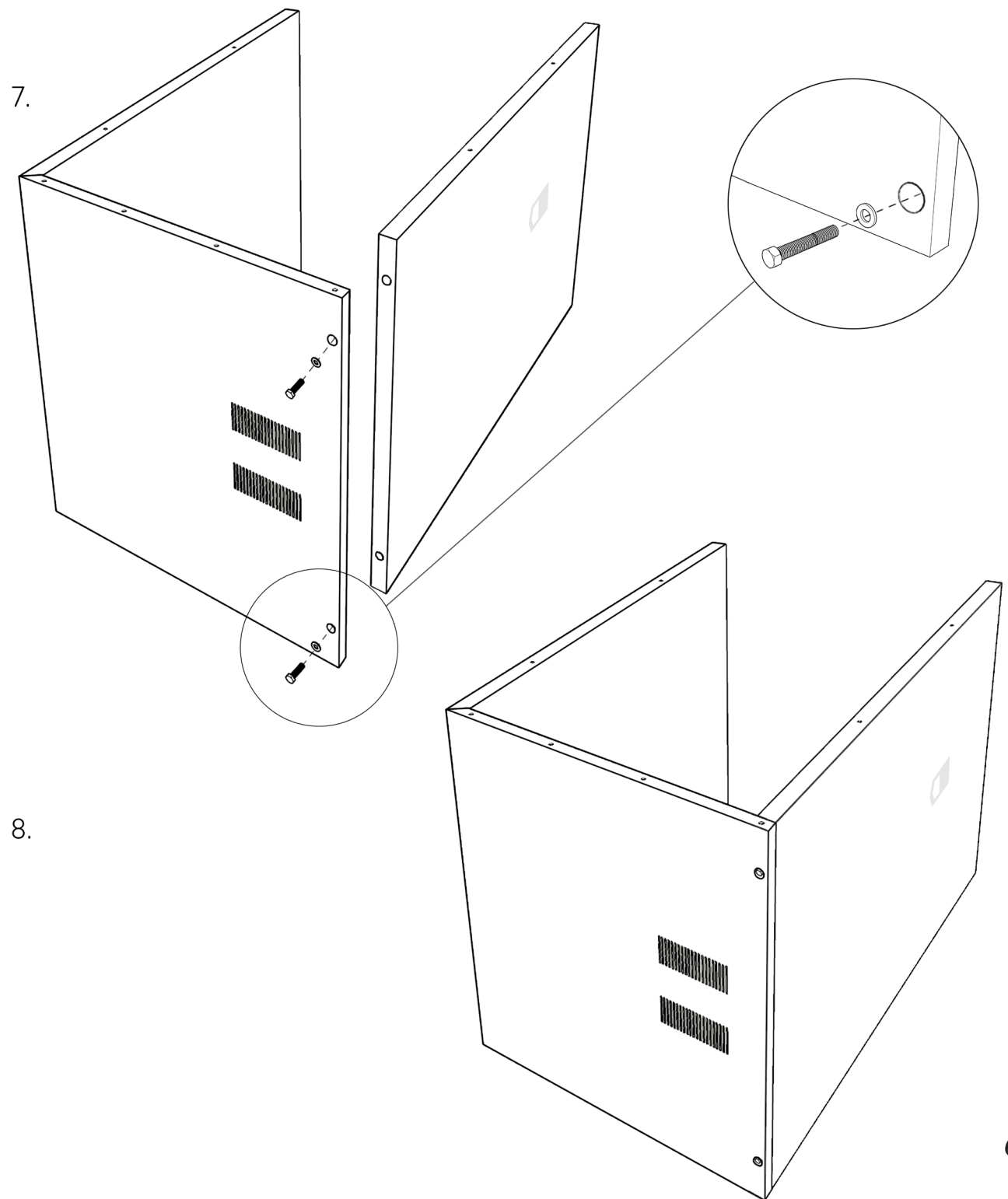
5. Bend all three Zip-Bolts at the knuckle and insert the loose ends into the top of the Front Shell.
6. As per step 3-4, place the Zip-Bolt Screw Head onto the Bolt in the Front Shell and tighten.





Section A

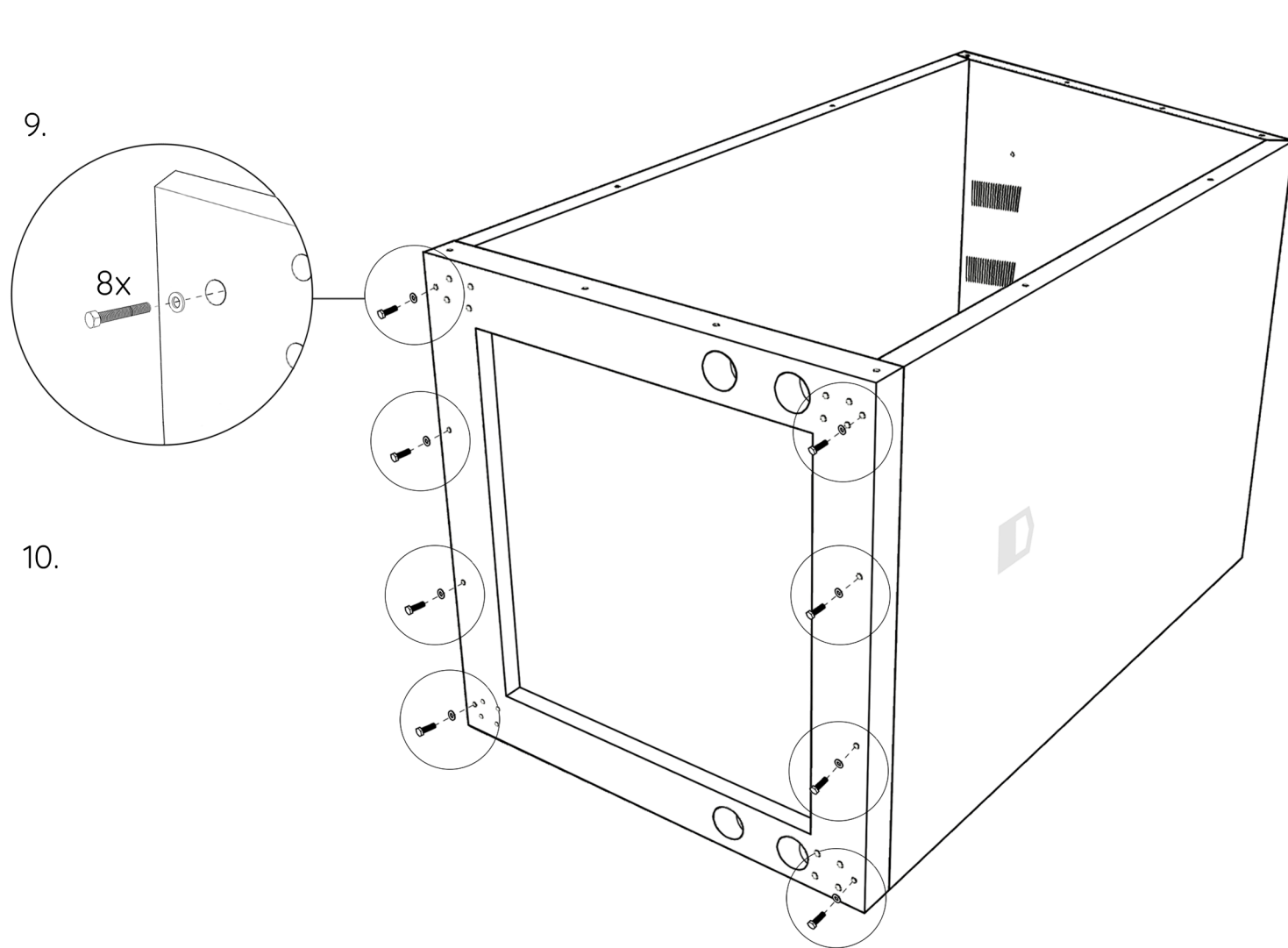
7. Place the bolt and washer through the Roof, down into the top of the Back Shell.
8. Tighten the Bolts making sure it is secure.





Section A

9. Offer the base up to the bottom of the shell and secure in place using the Bolts & Washers supplied.
10. Tighten the Bolts making sure it is secure.





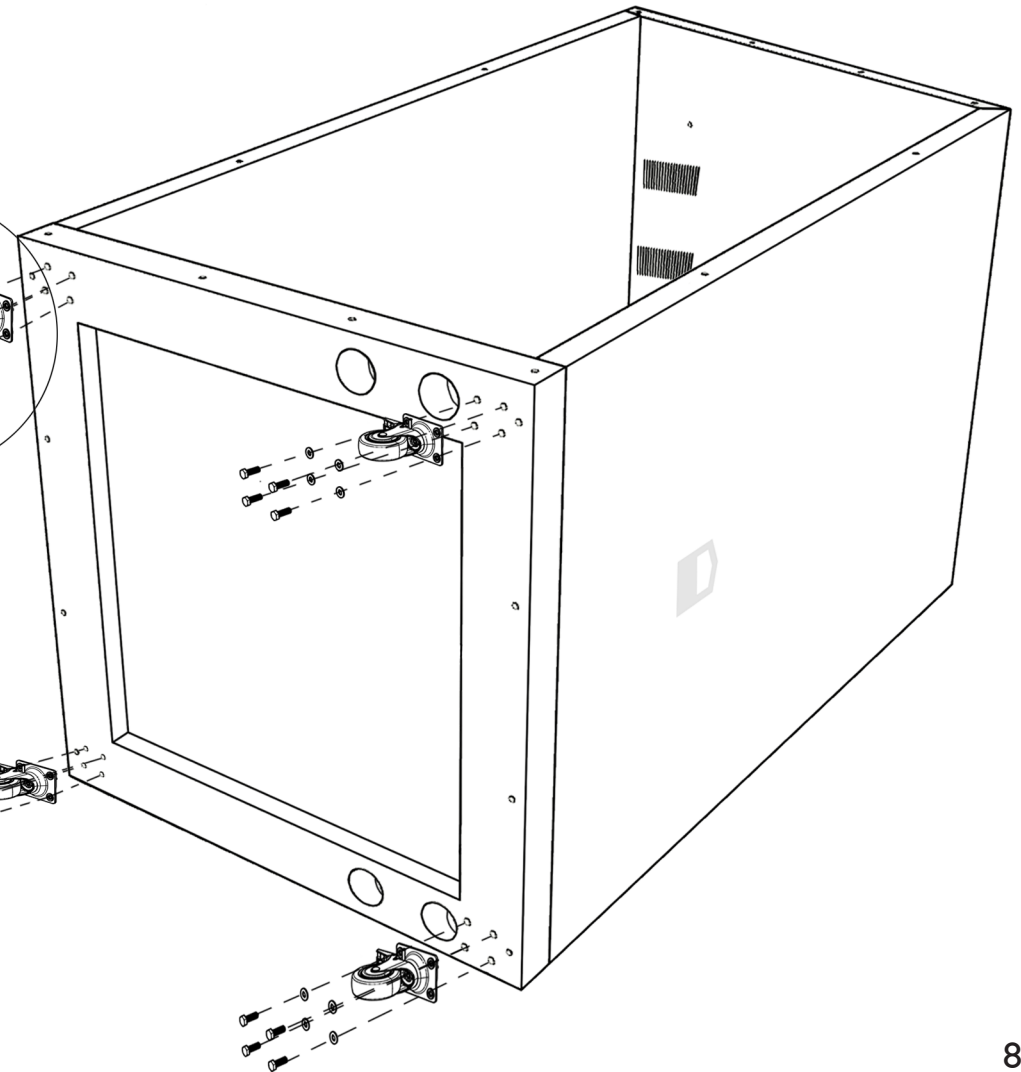
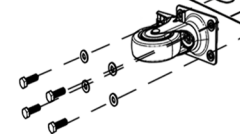
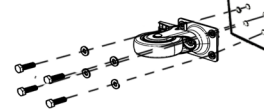
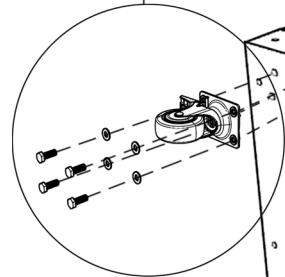
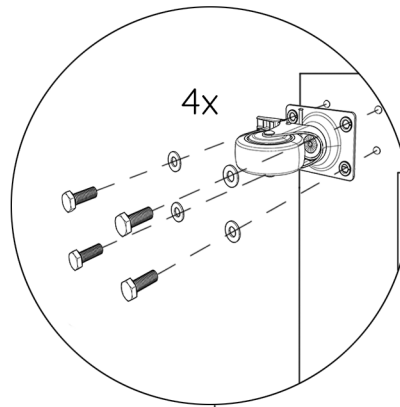
Section A

11. Align the Castor with the 4 Bolt and Washer holes.

Ensure the holes are orientated as shown in the diagram.

Insert the Bolt and Washers in place and tighten.

11.



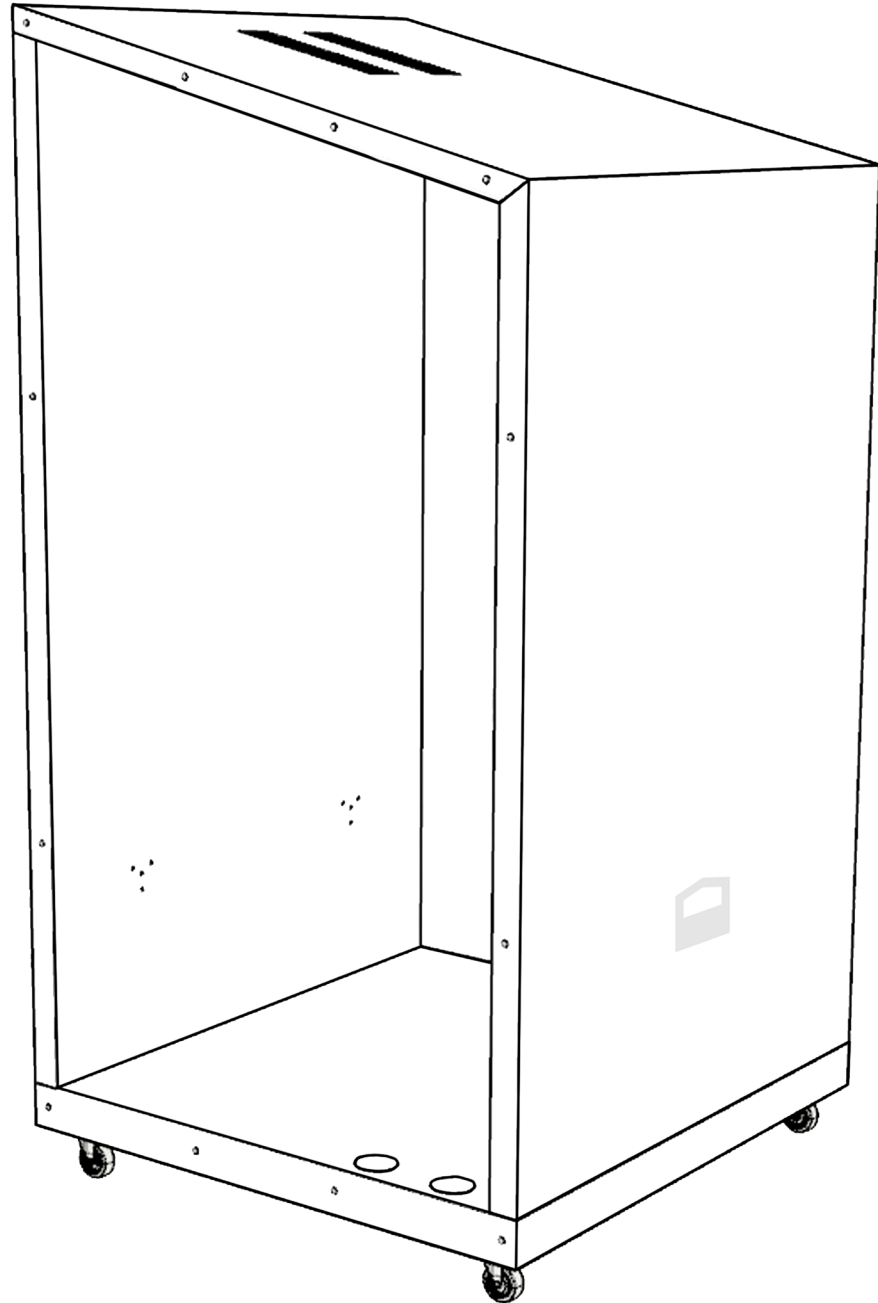


Section A

Note:

Make sure all the Castors are locked before flipping your Nook Solo upright.

12. With two people, turn your Nook Solo upright

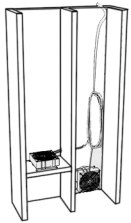




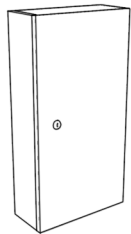
Section B

Table and Shelf Edge Assembly

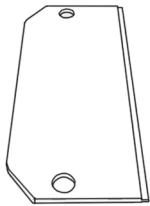
Parts Required:



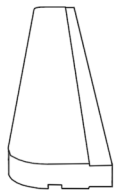
Fan Unit
1x



Power Box
1x



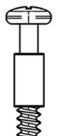
Desk
1x



Shelf
1x



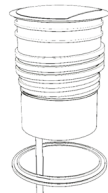
4x



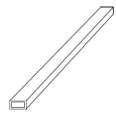
9x



Vent
1x

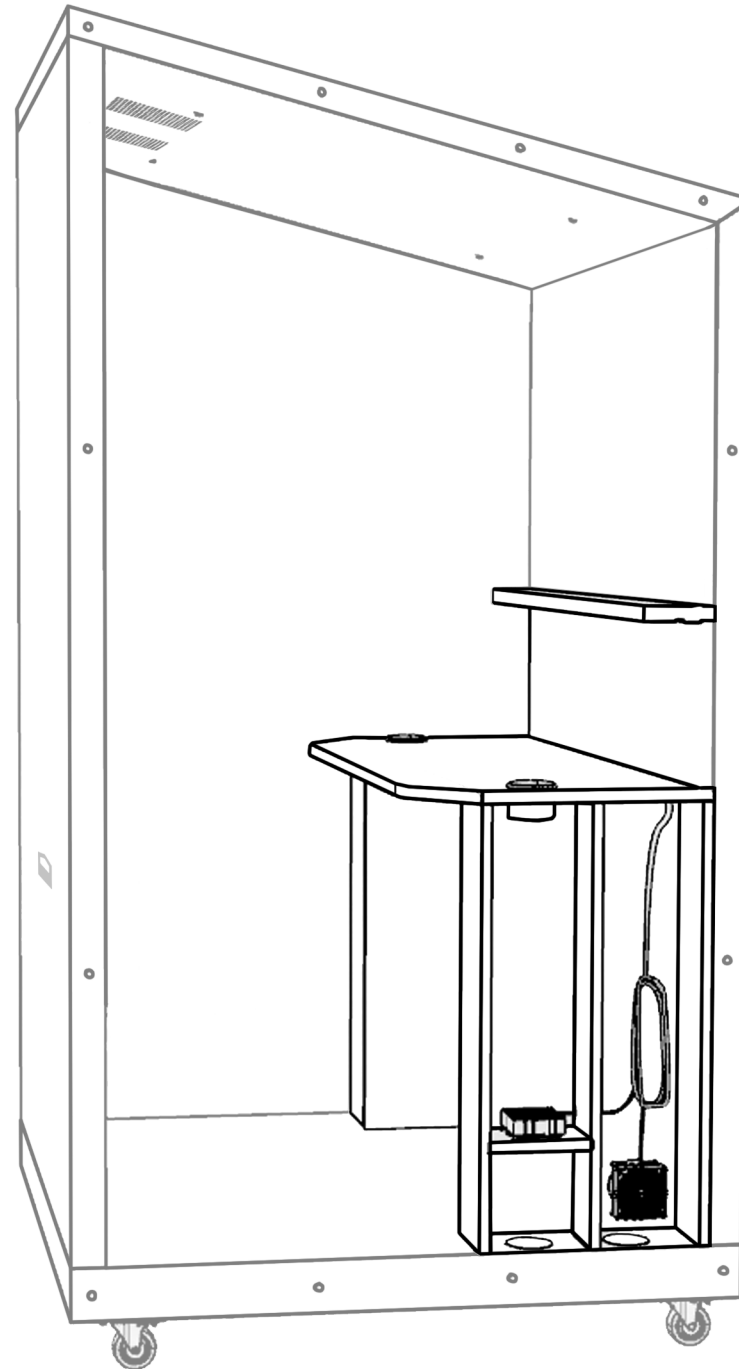


Power Insert
1x



Cable Cover
1x

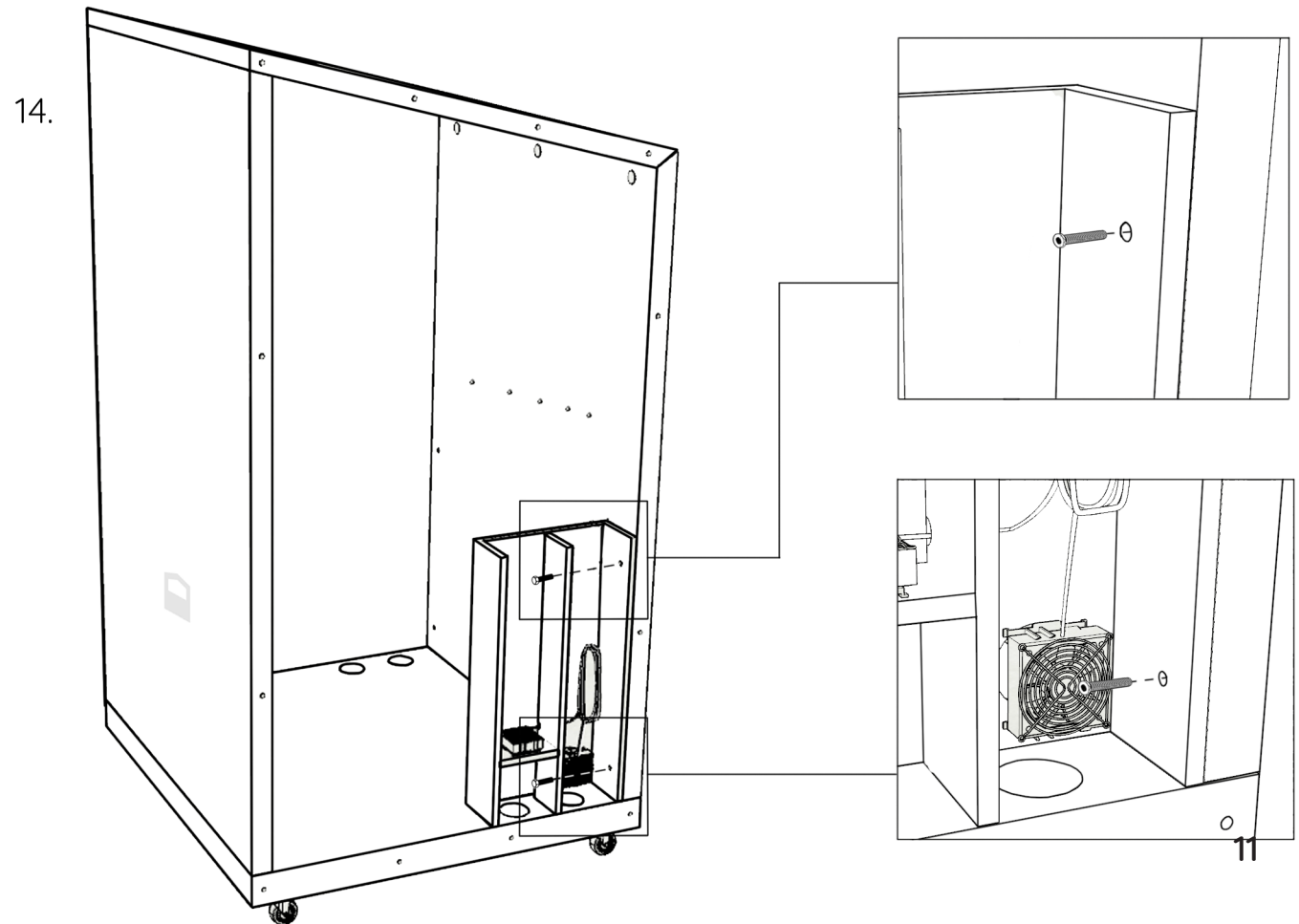
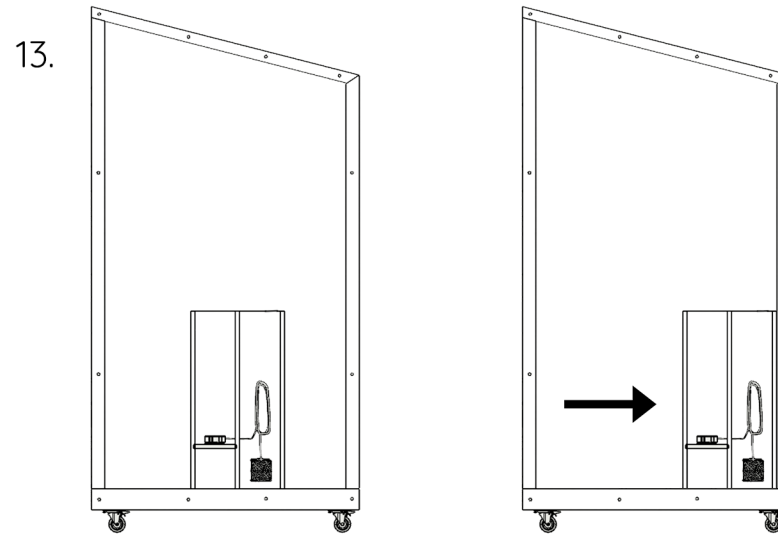
If you have purchased the LED kit
skip to page 17





Section B

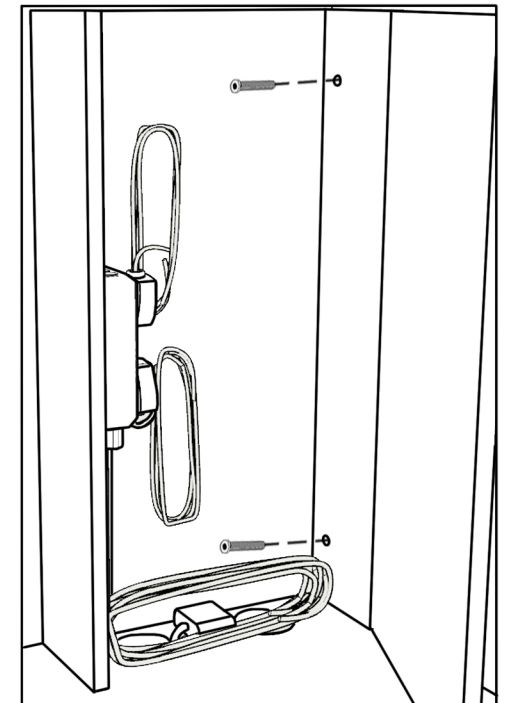
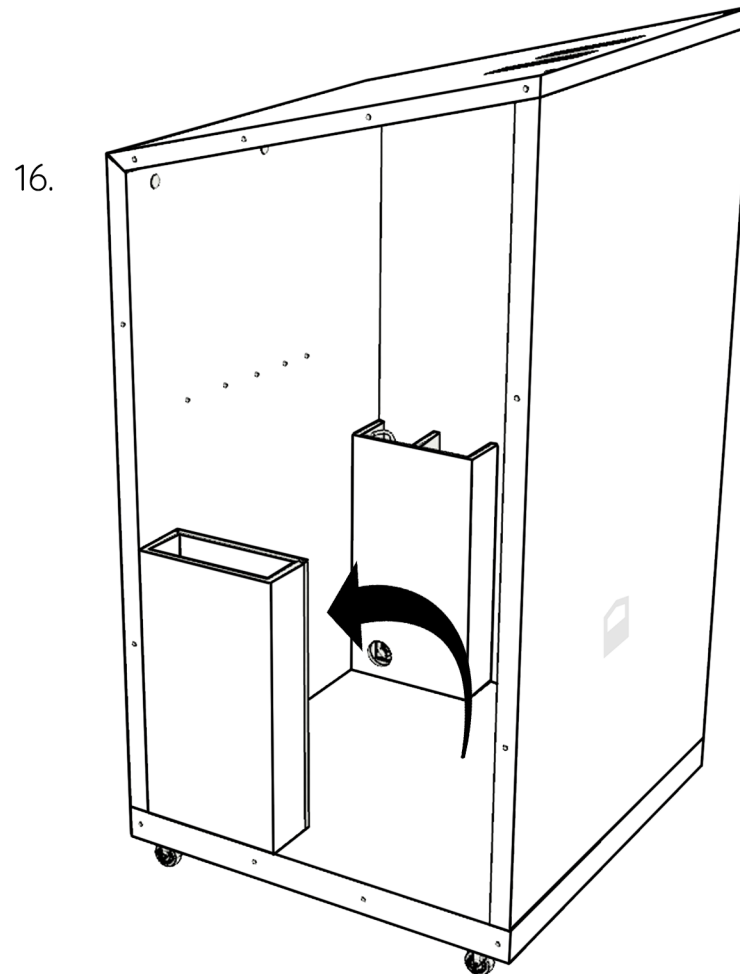
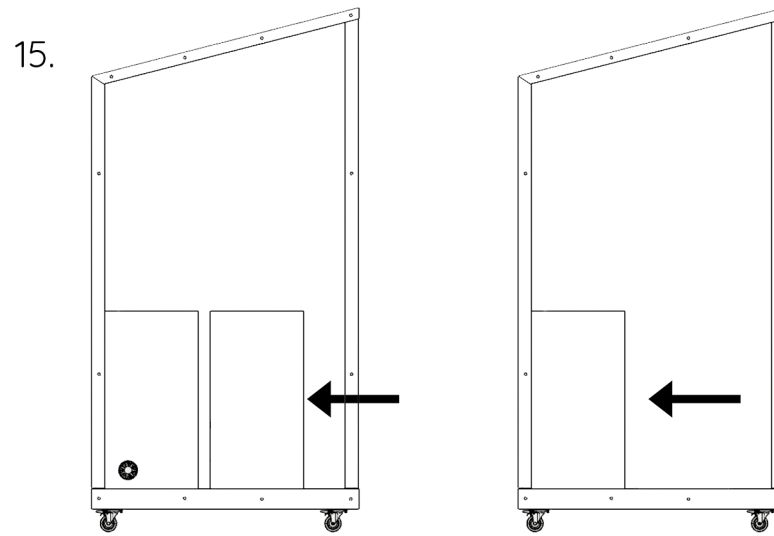
13. Take the Fan Unit and place it in your Nook Solo Shell. Make sure the exposed side of the Fan Unit faces out from your Nook.
14. Align the Fan Unit with the two holes, using the Bolt to secure it in place.





Section B

15. Take the Power Box and place it into your Nook Solo Shell. Make sure the Power Box door faces inside your Nook.
16. Open the Power Box door and align it with the two holes into the Shell of the Nook. Use the Bolts to secure it in place.

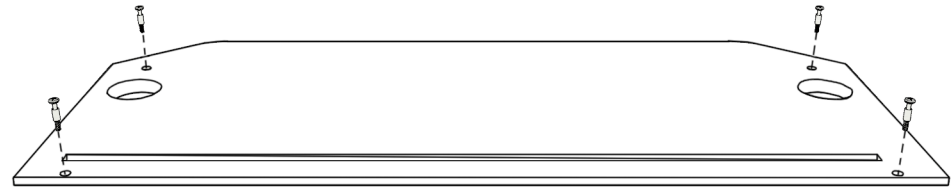




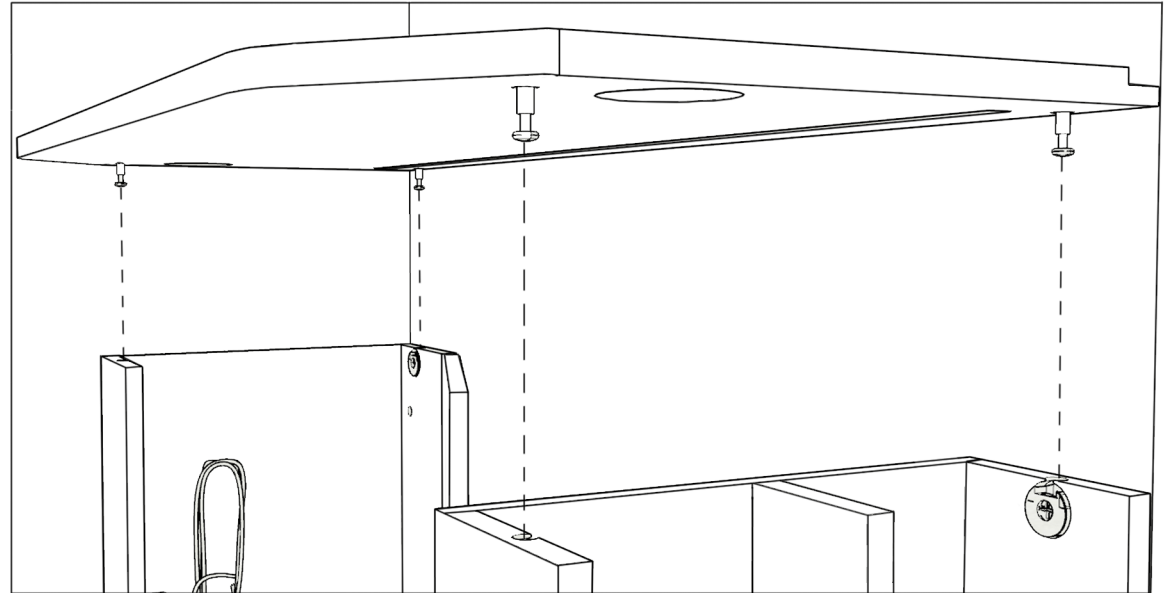
Section B

17. Turn your Table upside down and insert 4 Pins and tighten.
18. Place the Table above the 4 holes from the Power Box and Fan Unit, and lower into place
19. Tighten the Screws from the four points, two in the Fan unit and 2 in the Power Box

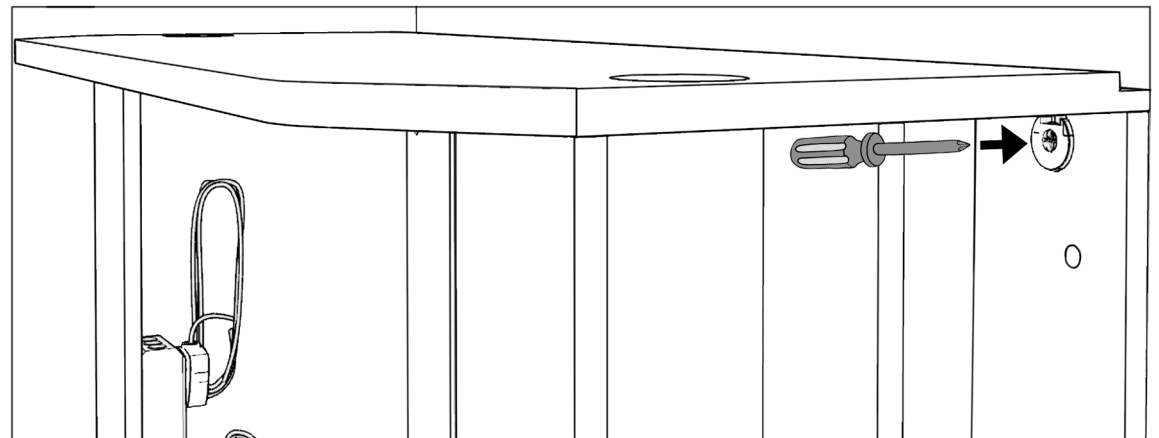
17.



18.



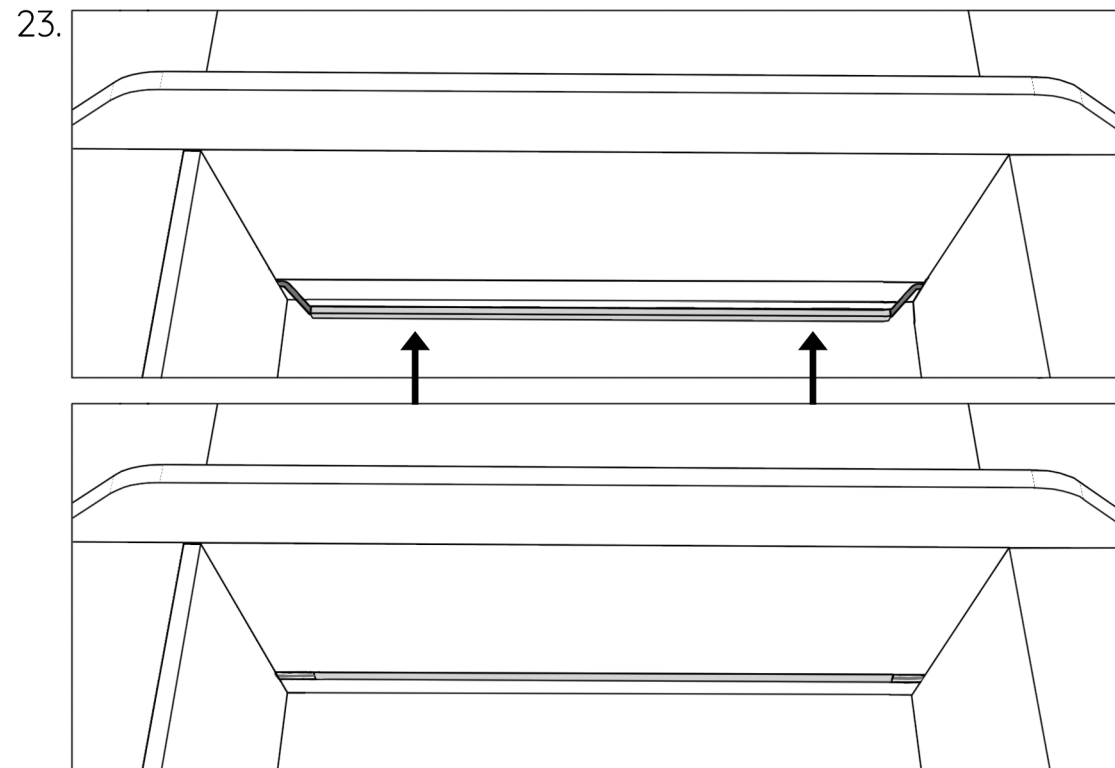
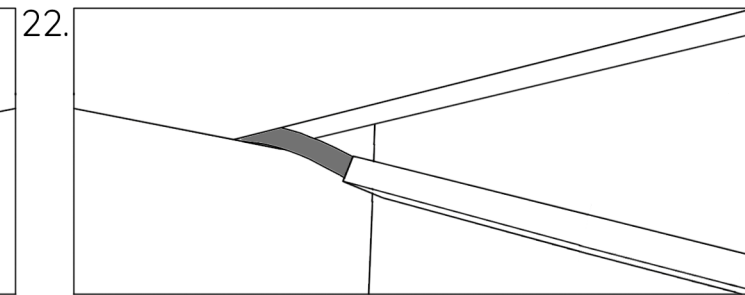
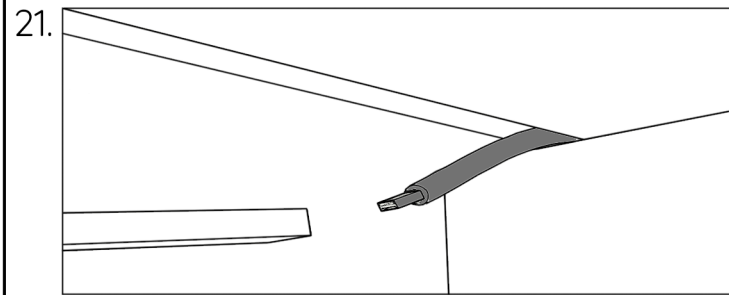
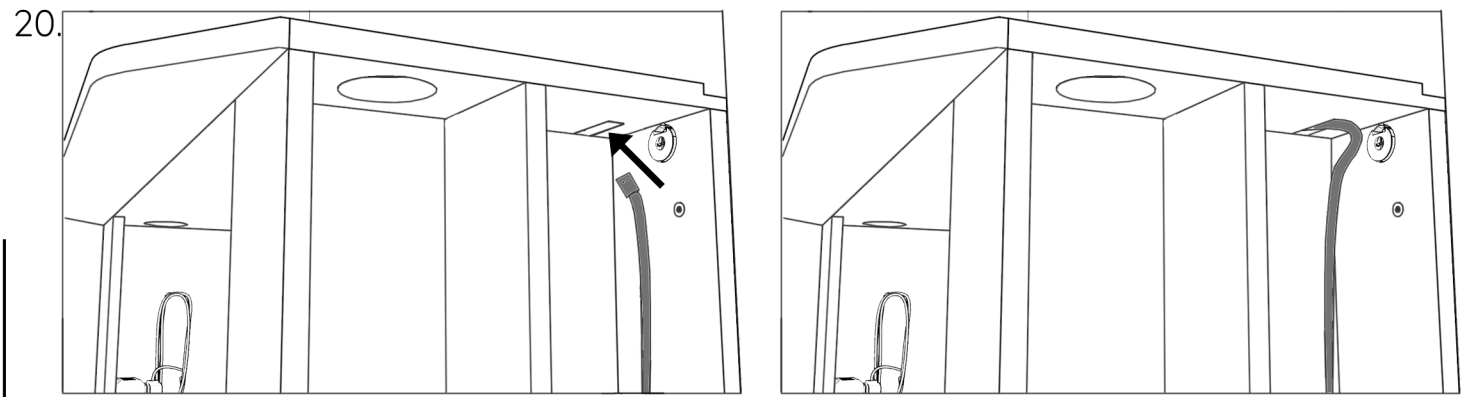
19.





Section B

20. Untie the Fan Unit cables, and put the USB through the groove cut out on the underside of the desk.
21. Put the USB cable through the Cable Cover until it comes out the other end.
22. Push the USB cable head up through the Groove on the underside of the table leading into the Power Box. Let it hang freely with enough cable to reach the USB Plug. Don't plug it in until the Nook's construction is complete
23. Push the Cable Cover into the groove until it is flush with the table's underside.

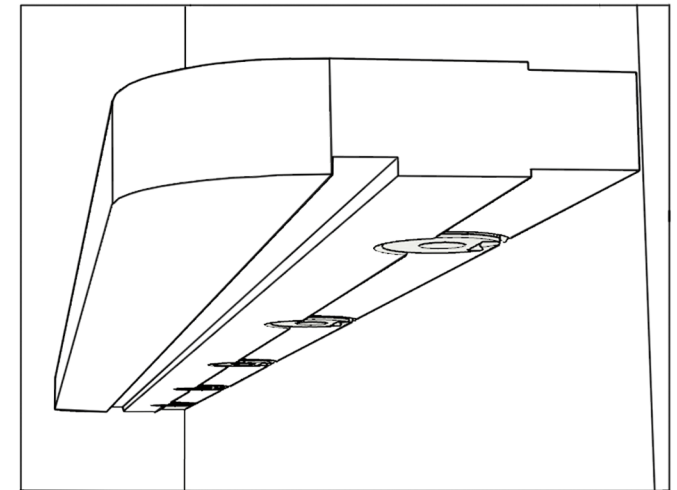
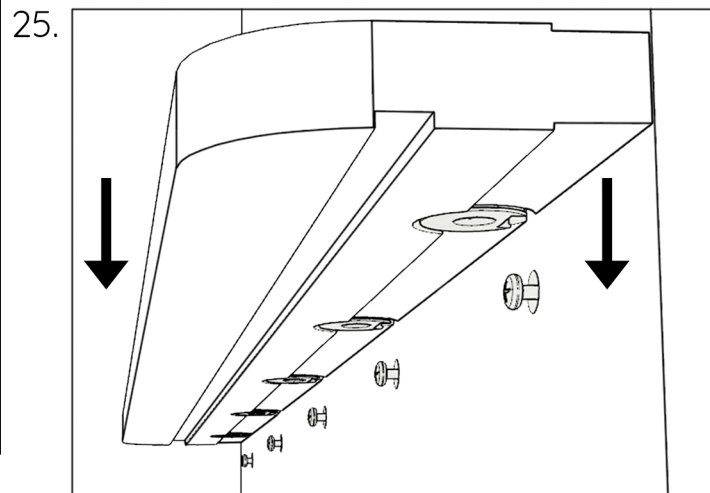
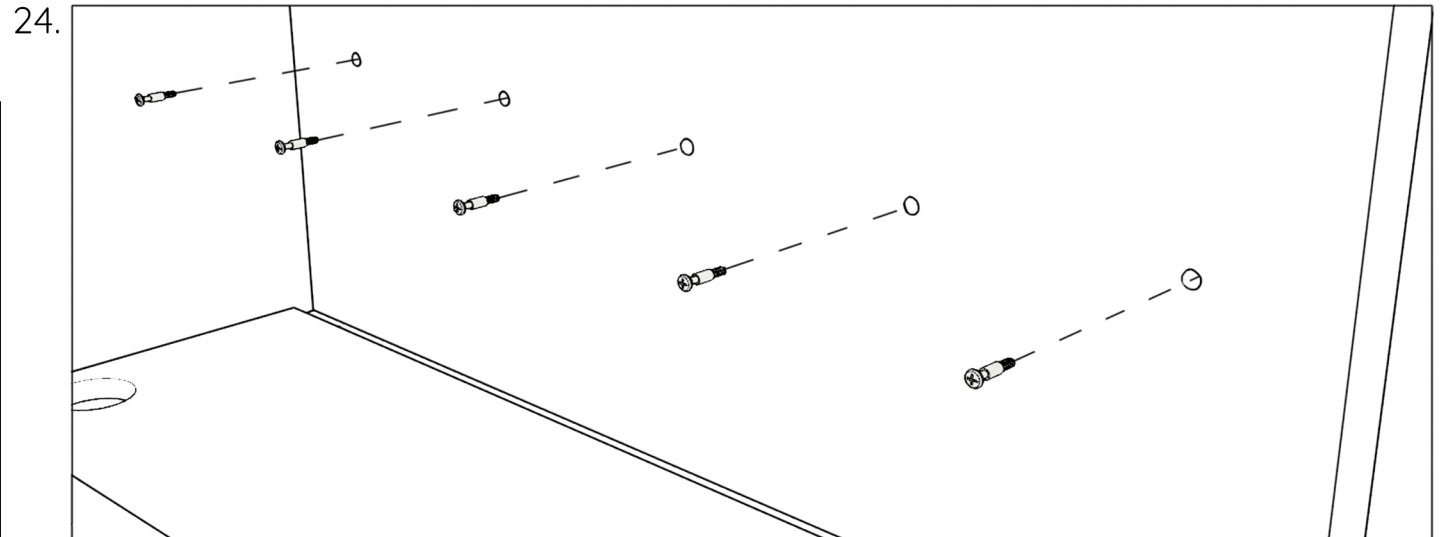




Section B

24. Take five Pins, and screw them in until tight on the inside of the Front Shell.

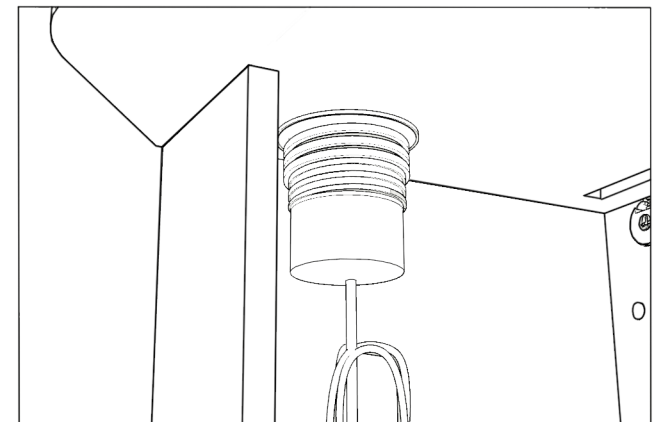
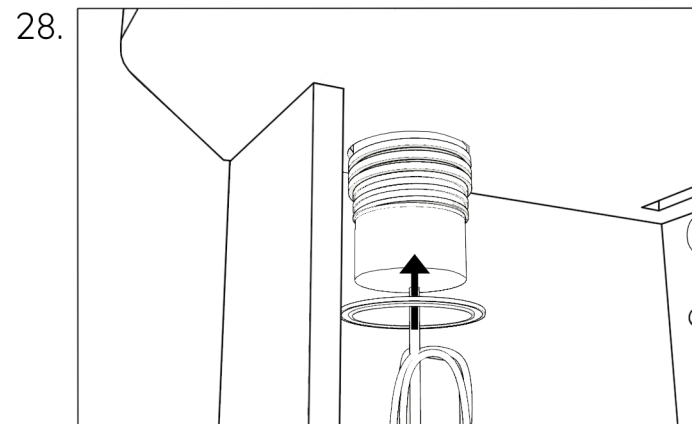
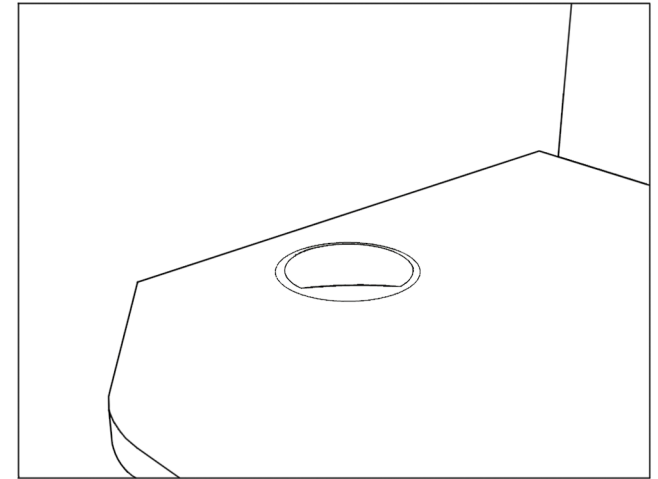
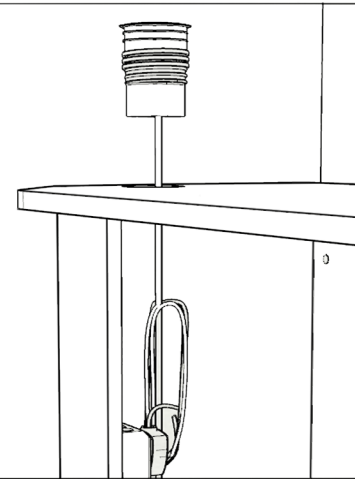
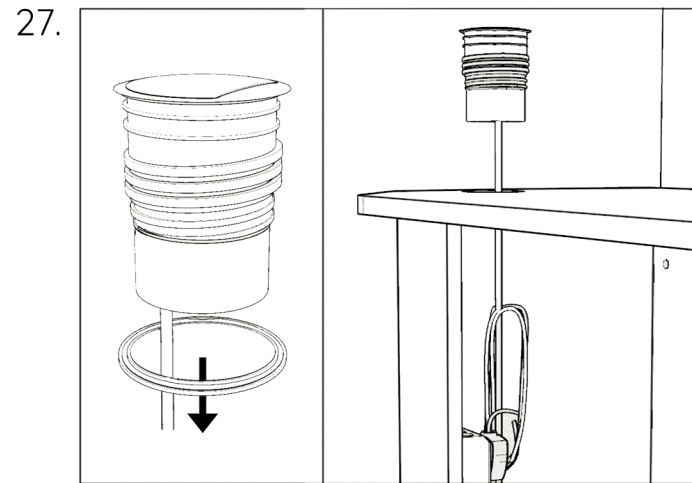
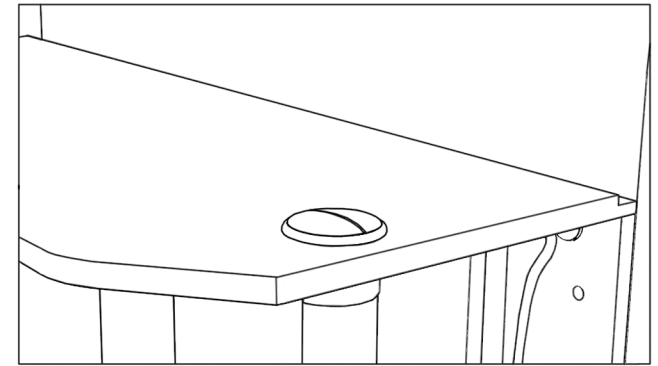
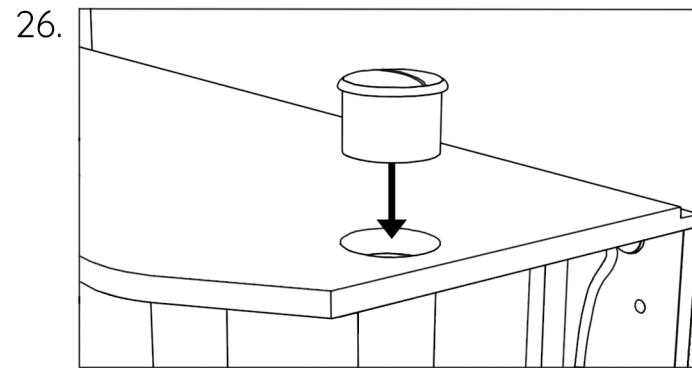
25. Take the Shelf and place it down onto the set of Pins. Tighten them to secure the Shelf to the Nook Shell.





Section B

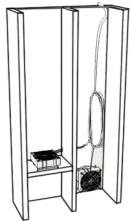
26. Place the Vent Cover into the Desk cut-out above the Fan Unit.
27. Take your Power Insert and unscrew tightening belt. Place the wires and Power Insert into the Desk cut-out above the Power Box until it is snug to the Table.
28. Take the tightening belt and screw it back on underneath the Desk to secure the Power Insert.



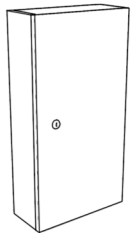


Section B1

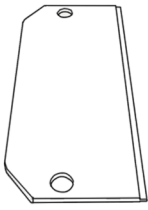
Table, Shelf Edge and LED Assembly



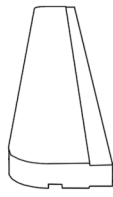
Fan Unit
1x



Power Box
1x



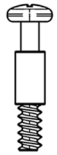
Desk
1x



Shelf
1x



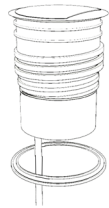
4x



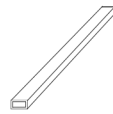
9x



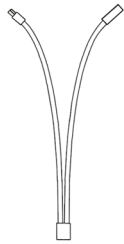
Vent
1x



Power Insert
1x



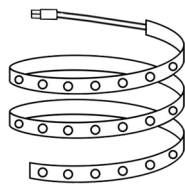
Cable Cover
1x



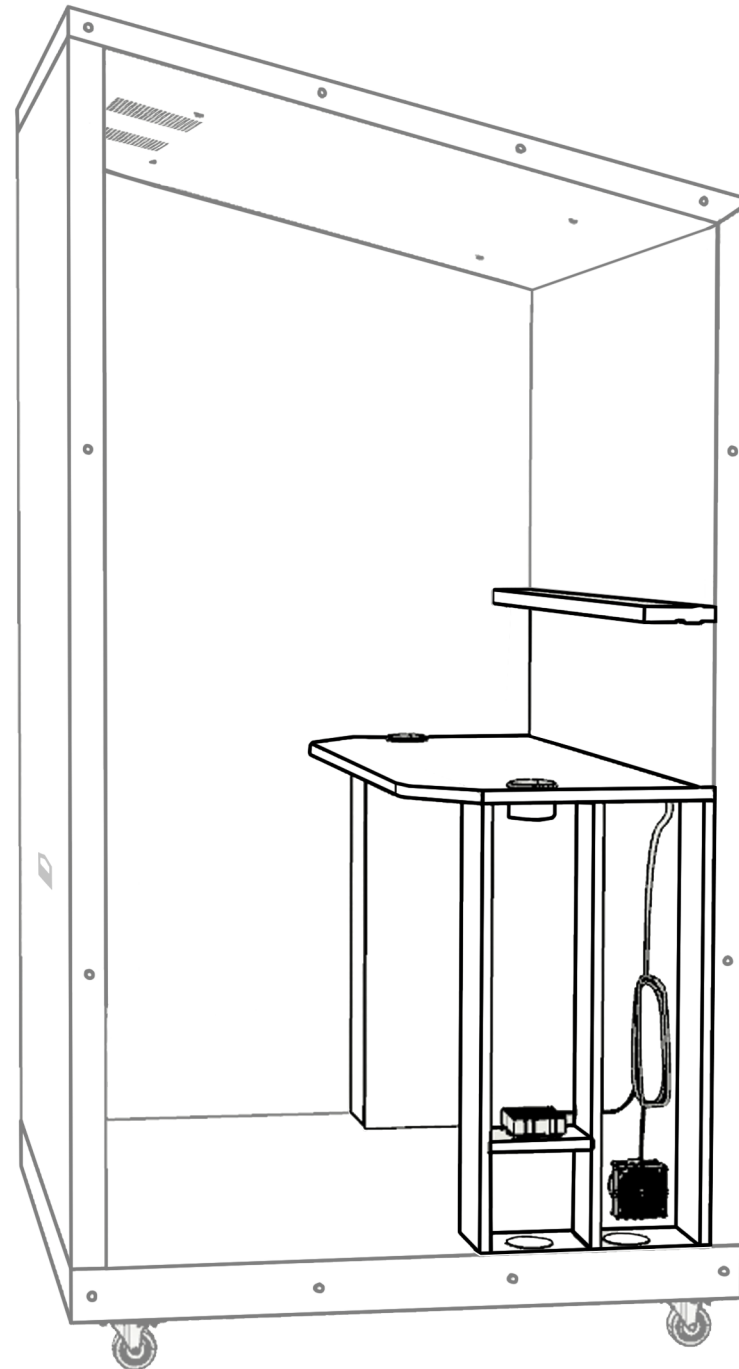
LED
Switch
1x



Power
Plug
1x



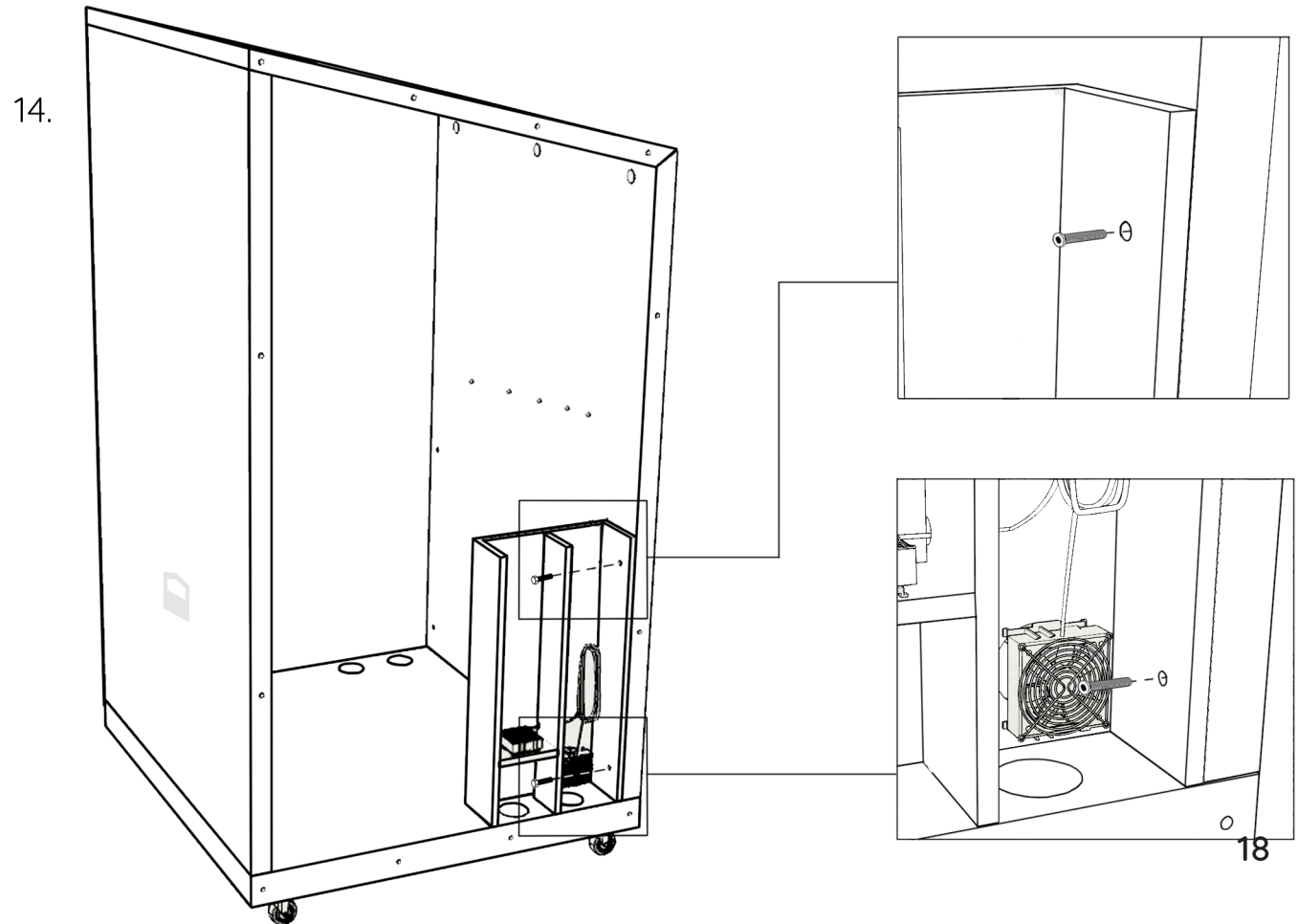
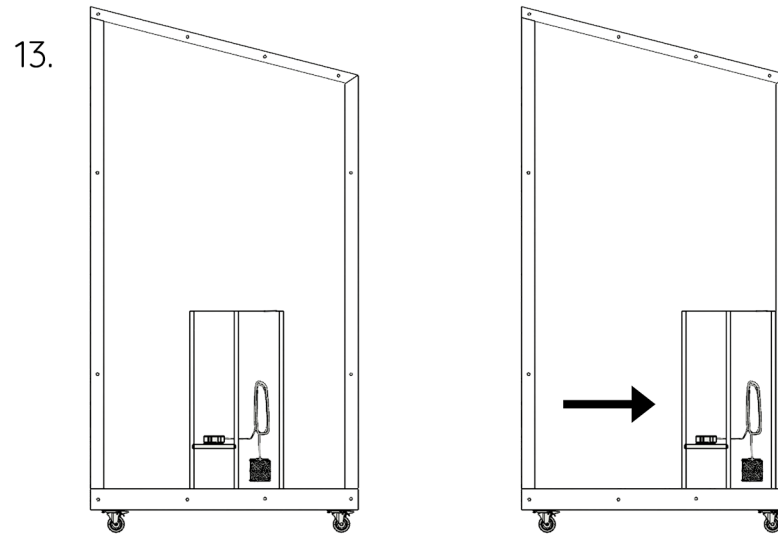
LED
Strip
1x





Section B1

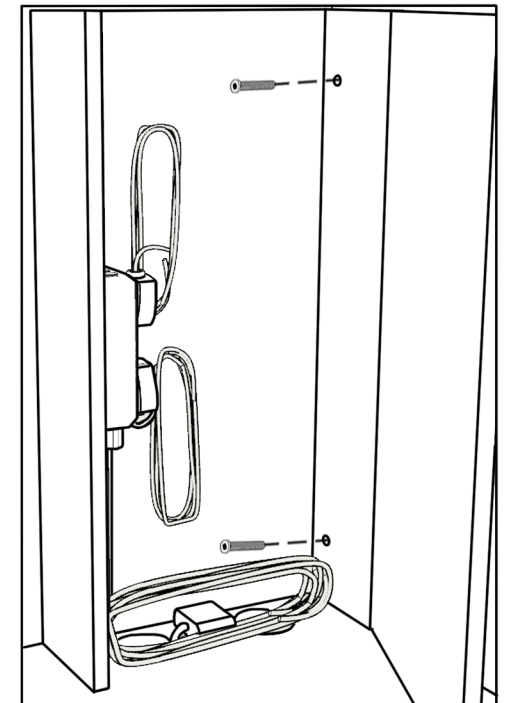
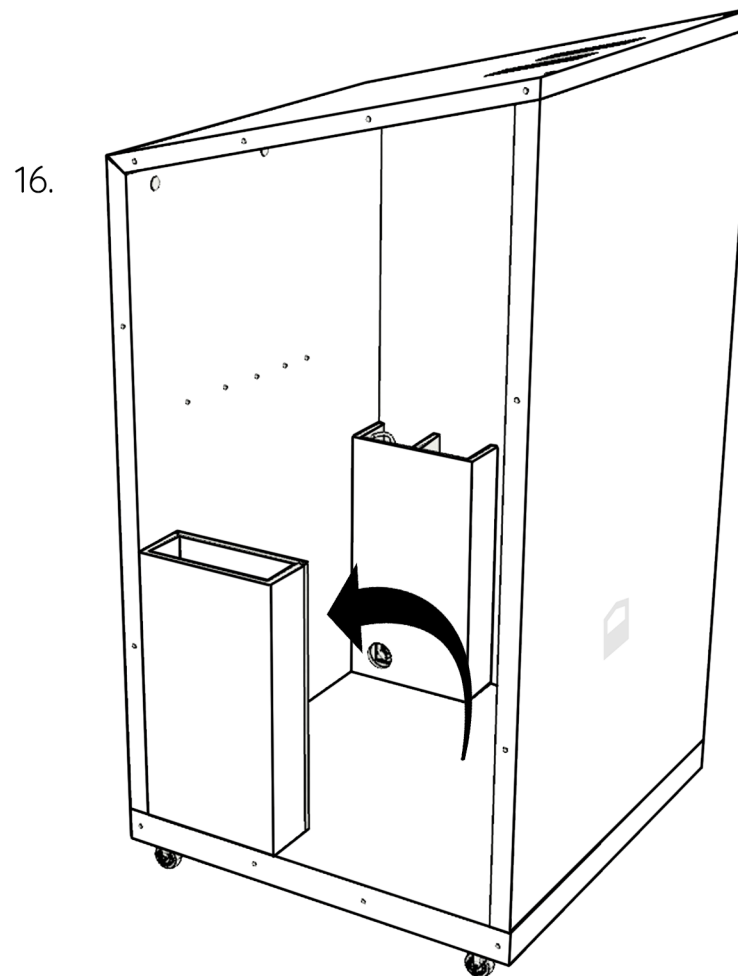
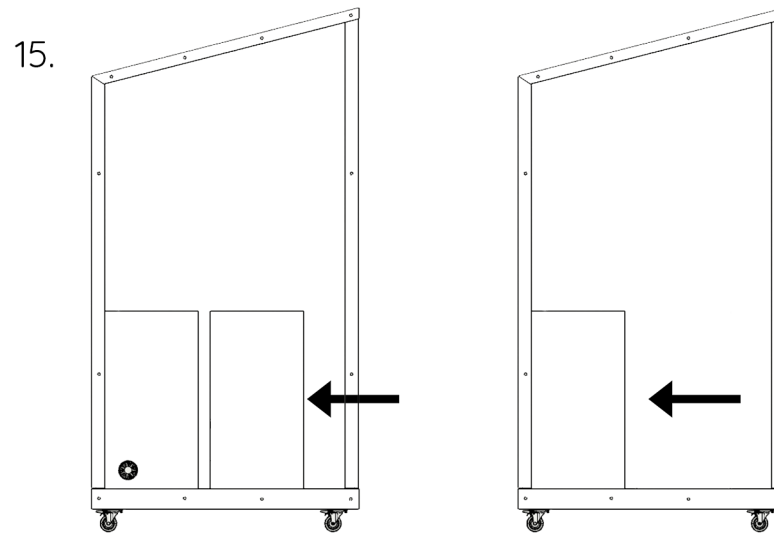
13. Take the Fan Unit and place it in your Nook Solo Shell. Make sure the exposed side of the Fan Unit faces out from your Nook.
14. Align the Fan Unit with the two holes, using the Bolt to secure it in place.





Section B1

15. Take the Power Box and place it into your Nook Solo Shell. Make sure the Power Box door faces inside your Nook.
16. Open the Power Box door and align it with the two holes into the Shell of the Nook. Use the Bolts to secure it in place.

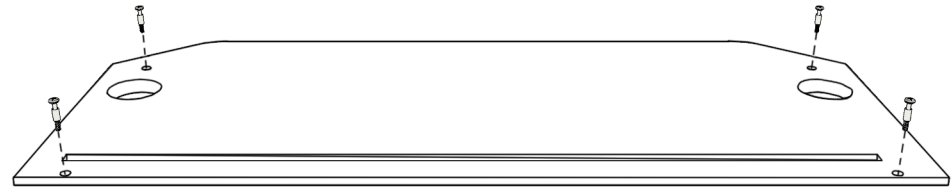




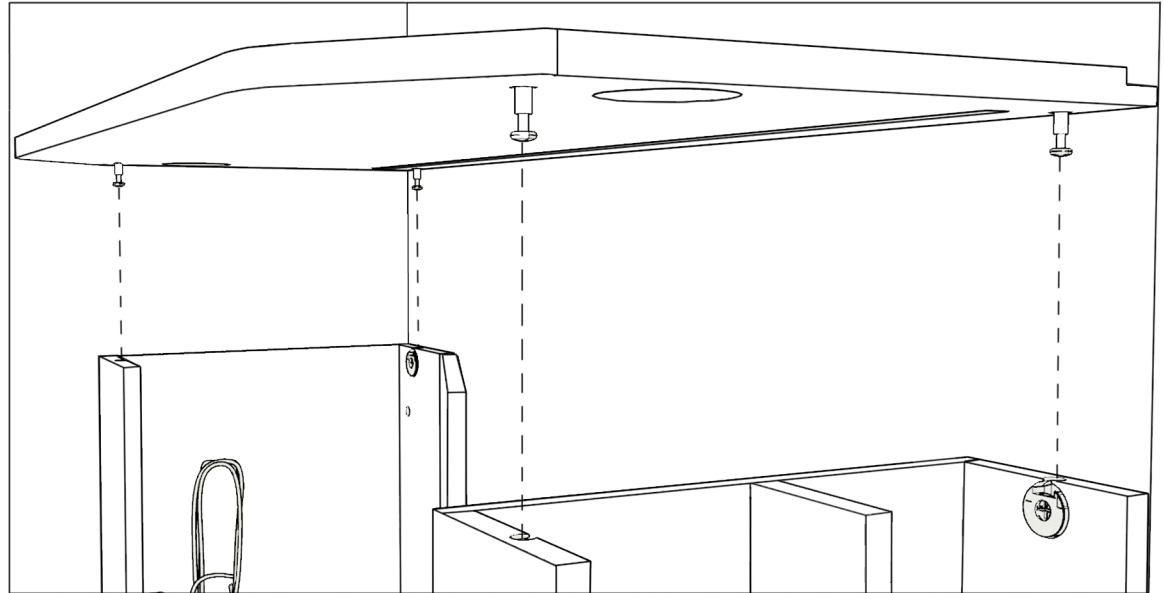
Section B1

17. Turn your Table upside down and insert 4 Pins and tighten.
18. Place the Table above the 4 holes from the Power Box and Fan Unit, and lower into place
19. Tighten the Screws from the four points, two in the Fan unit and 2 in the Power Box

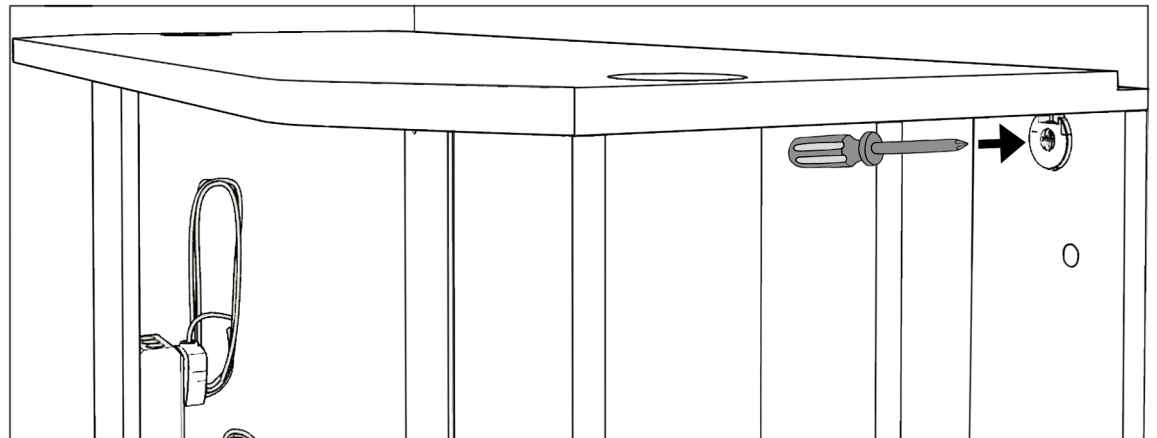
17.



18.



19.





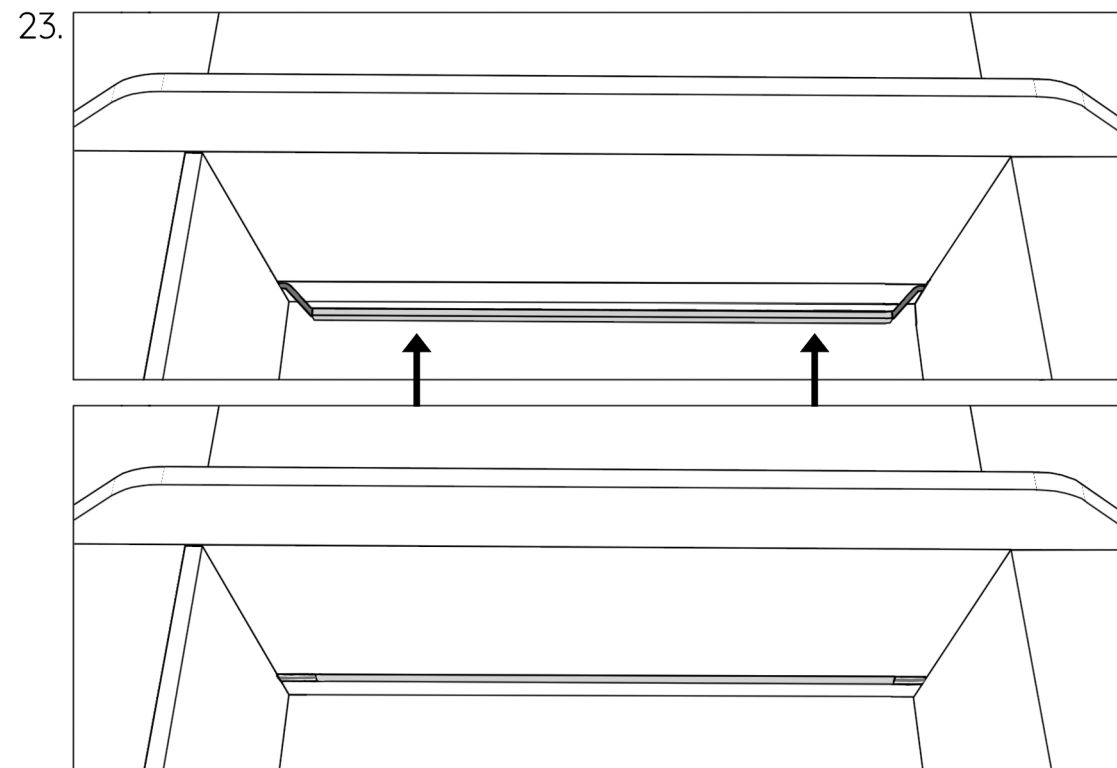
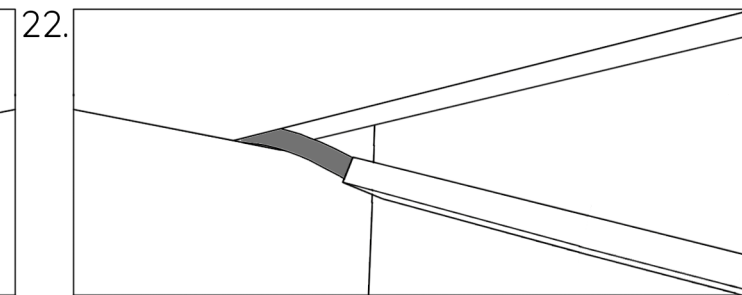
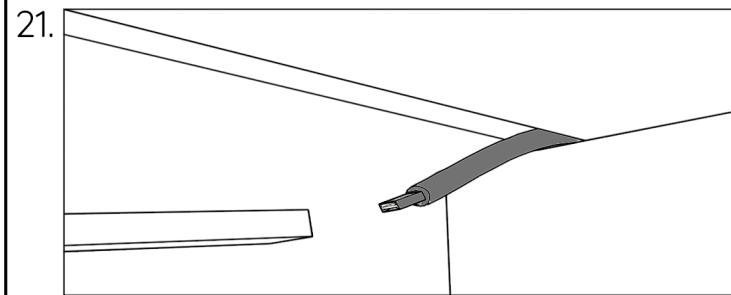
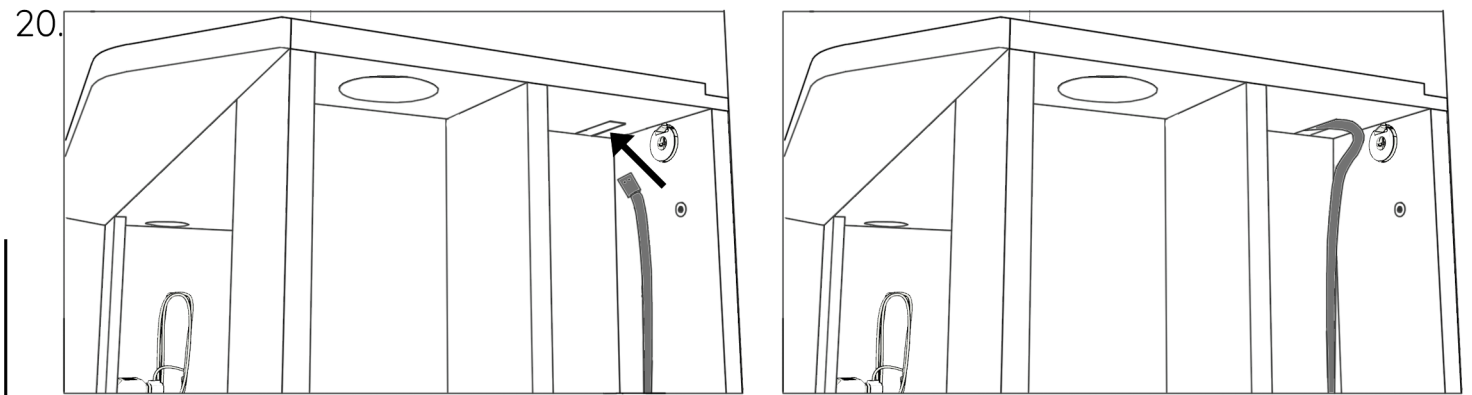
Section B1

20. Untie the Fan Unit cables, and put the USB through the groove cut out on the underside of the desk.

21. Put the USB cable through the Cable Cover until it comes out the other end.

22. Push the USB cable head up through the Groove on the underside of the table leading into the Power Box. Let it hang freely with enough cable to reach the USB Plug. Don't plug it in until the Nook's construction is complete

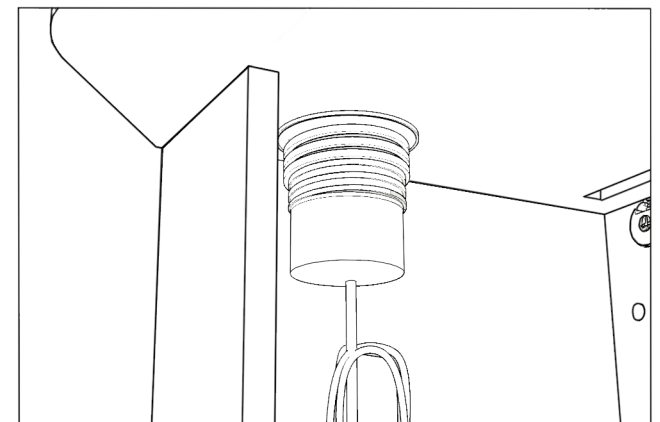
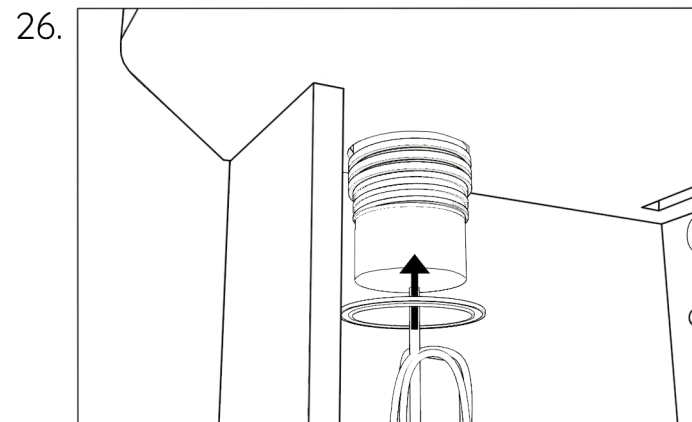
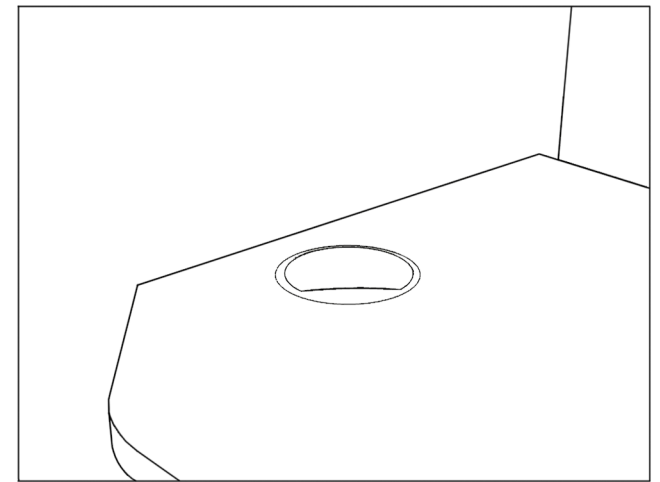
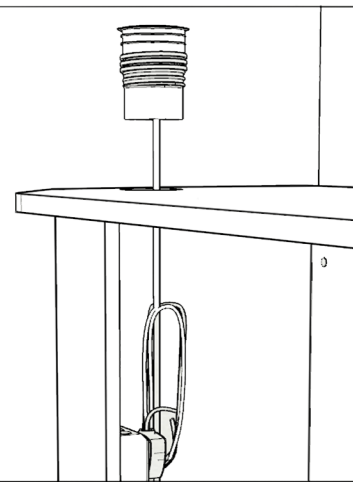
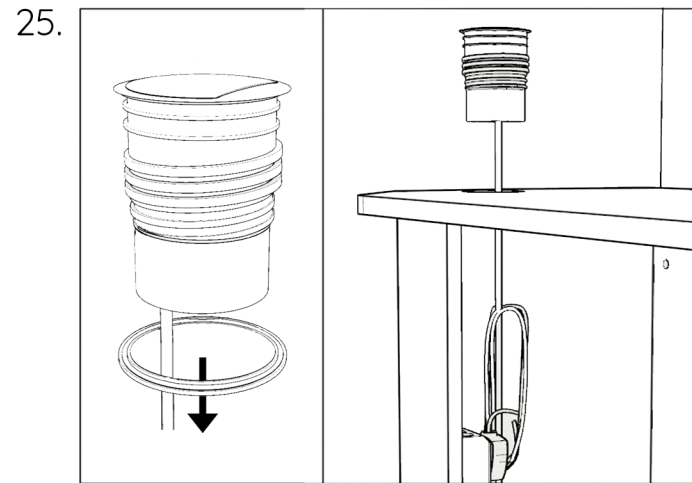
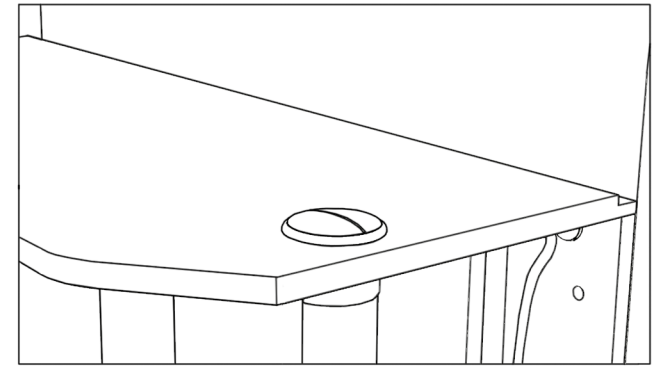
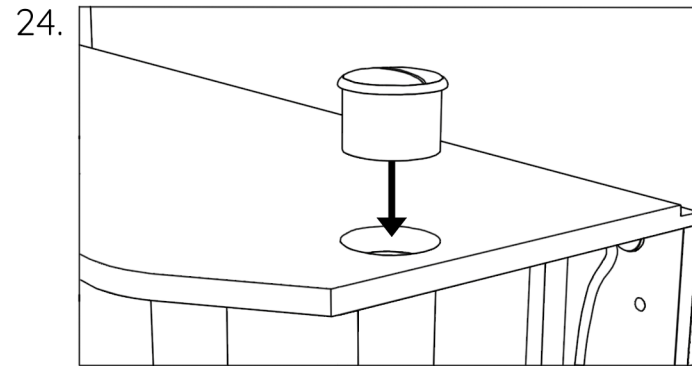
23. Push the Cable Cover into the groove until it is flush with the table's underside.





Section B1

24. Place the Vent Cover into the Desk cut-out above the Fan Unit.
25. Take your Power Insert and unscrew tightening belt. Place the wires and Power Insert into the Desk cut-out above the Power Box until it is snug to the Table.
26. Take the tightening belt and screw it back on underneath the Desk to secure the Power Insert.



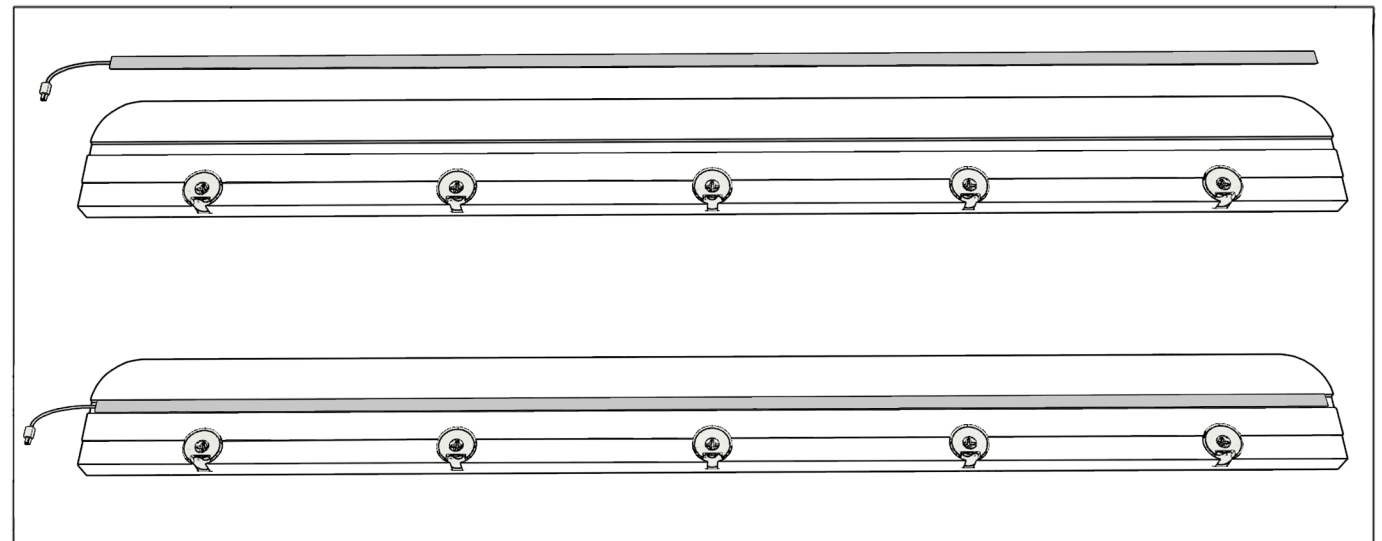
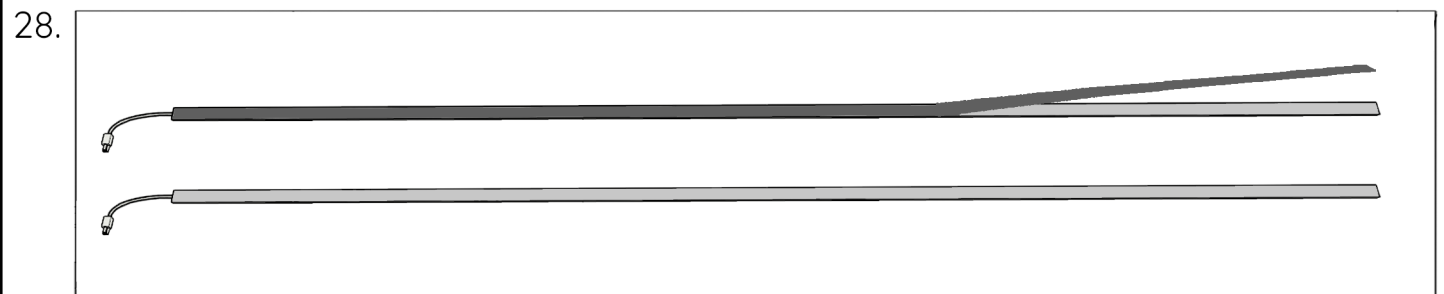
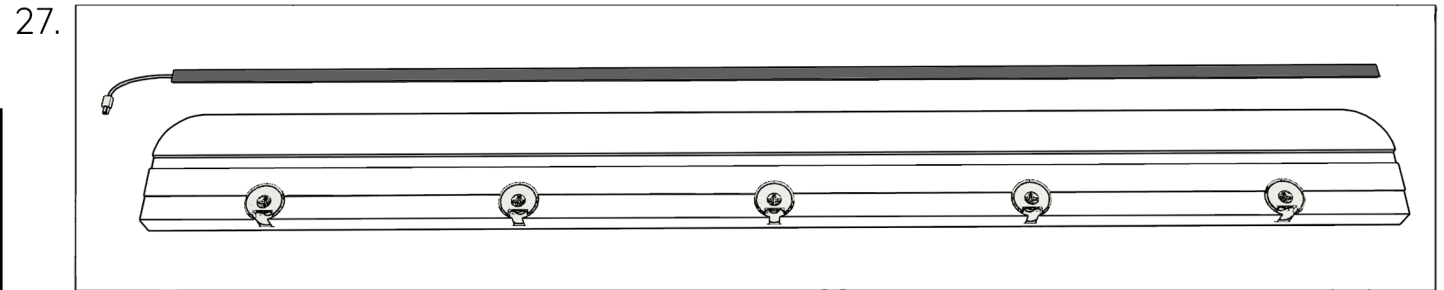


Section B1

27. Take the LED strip, and make sure the cable end is facing the power box side next to the shelf.

28. Remove the sticky cover for the LED strip, and place it into the pre cut section on the underside of the shelf.

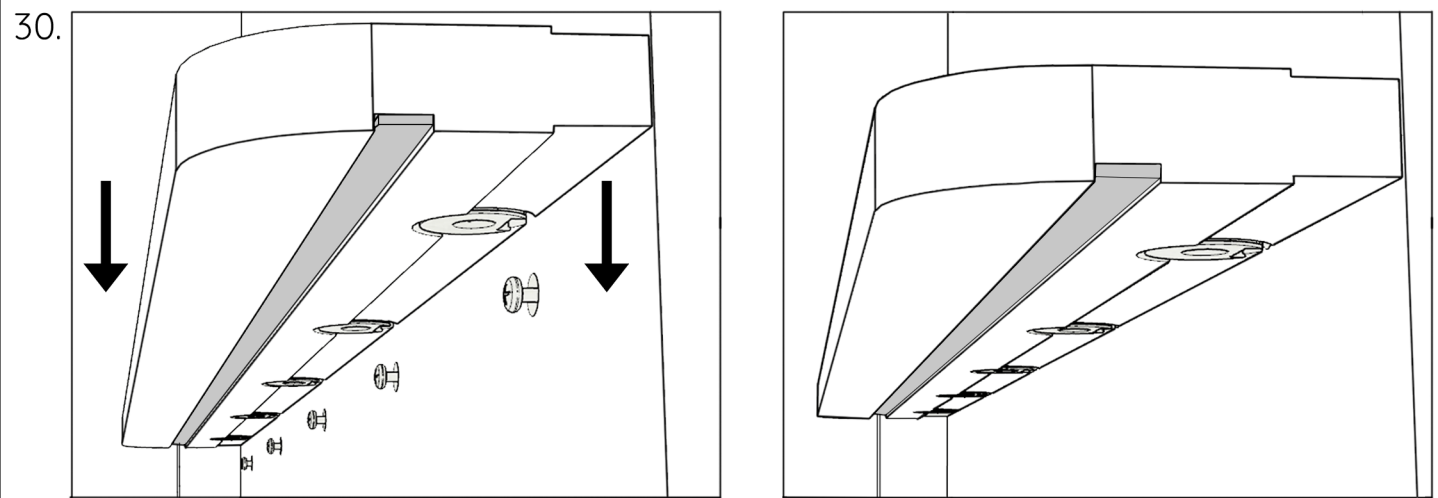
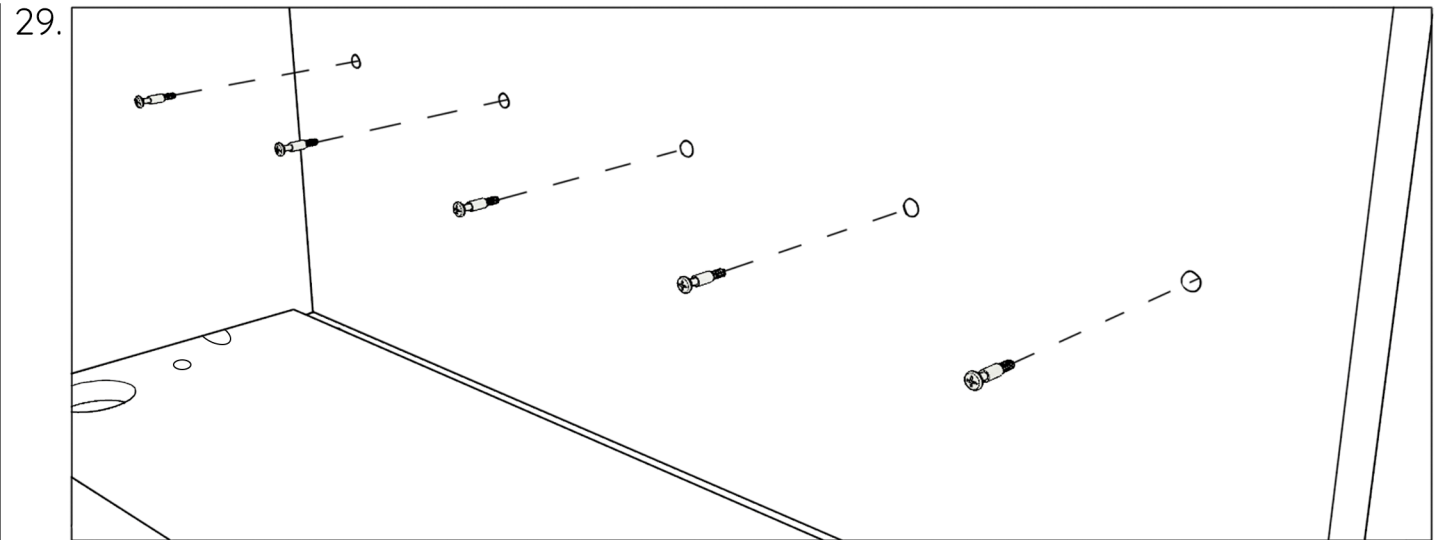
Press along the LED strip to make sure it's stuck down even and secure.





Section B1

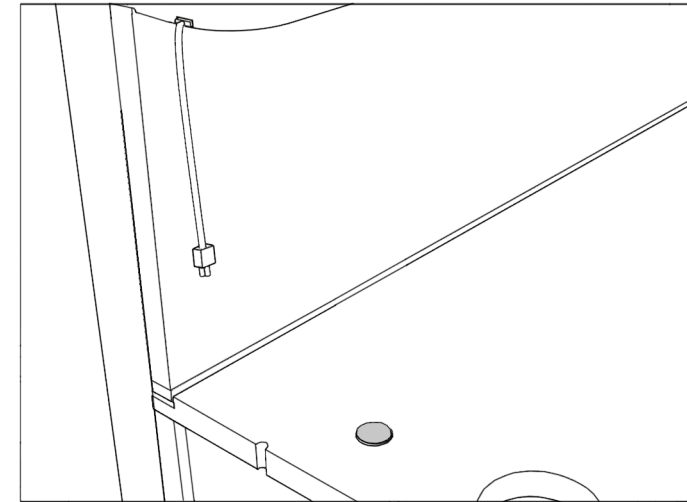
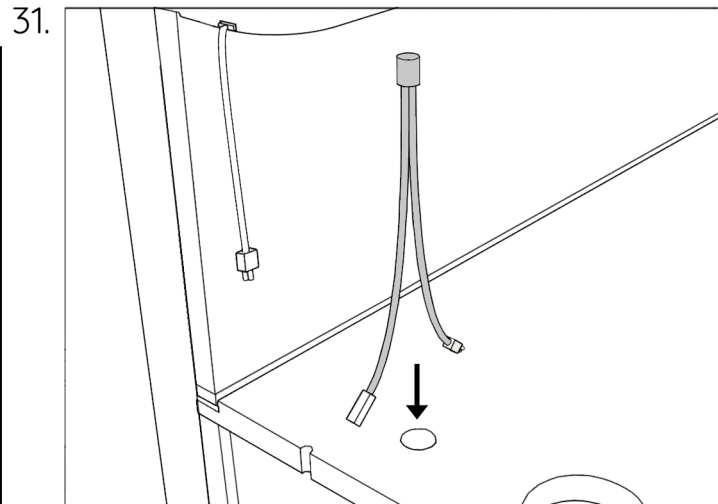
29. Take five Pins, and screw them in until tight on the inside of the Front Shell.
30. Take the Shelf and place it down onto the set of Pins. Tighten them to secure the Shelf to the Nook Shell.



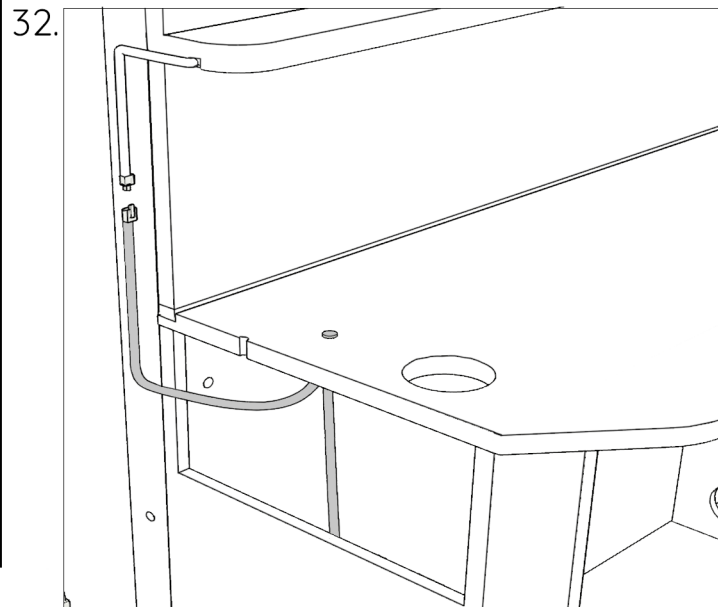


Section B1

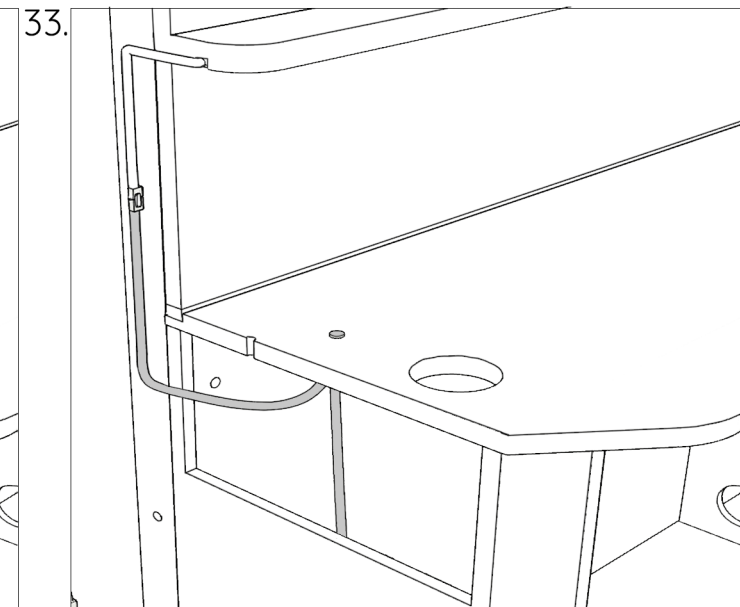
31'. Take the LED Switch cable and feed the cables through the small hole, pushing the cylindrical top flush to the table.



32. Take the female connector and run it up the side of the Solo, where it'll be tucked forward and hidden by the Solo shell.



33. Connect the LED strip and LED Switch.





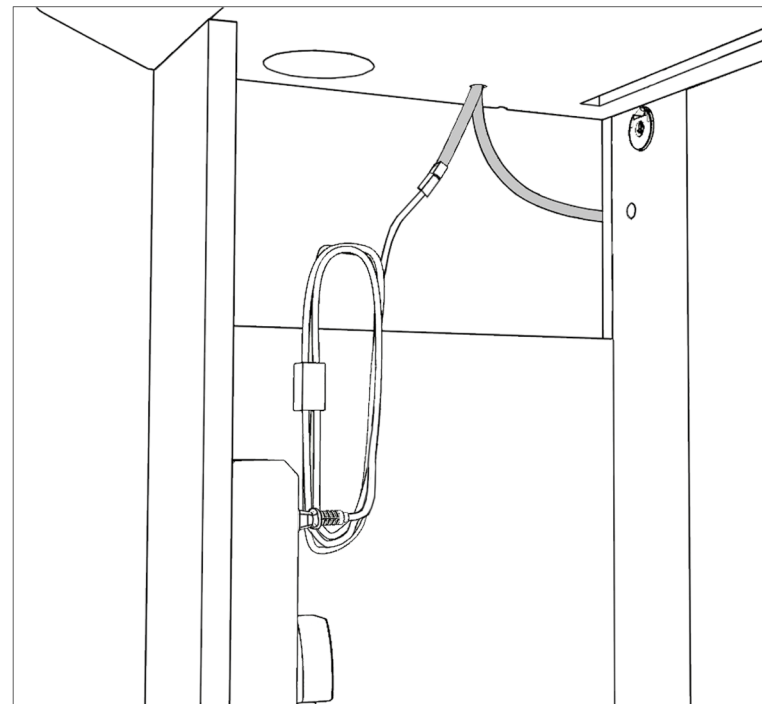
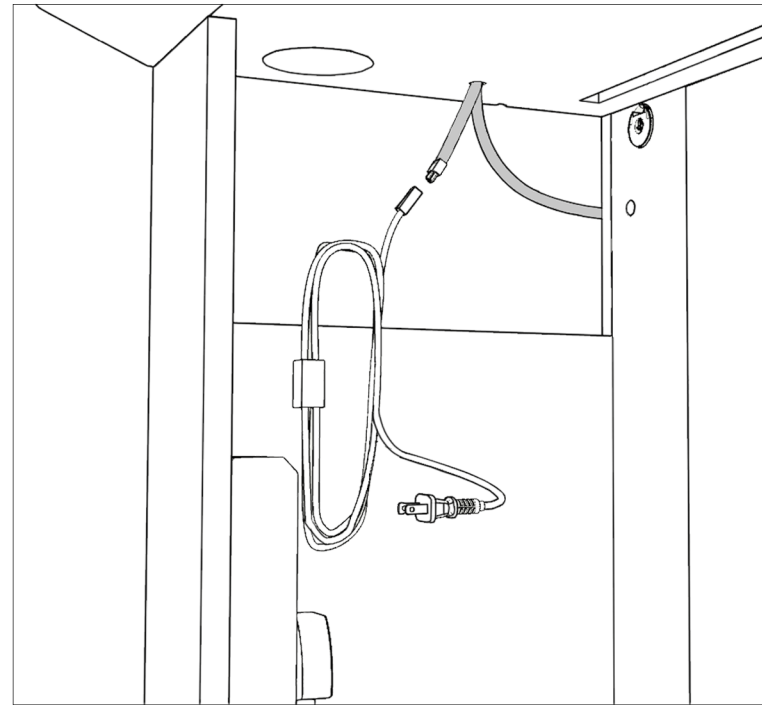
Section B1

34. Take the Power Plugs female end and connect it with the the LED Switch Connector inside the Power Box. Put the Power Plug into the multi plug adapter.

LED Instructions:

Short press on the LED Switch on the Desktop button for on / off, longer hold for dimming

34.



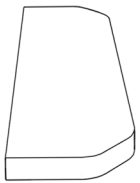


Section C

Seat assembly and Upholstery installation

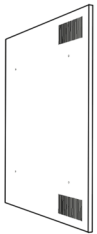
Parts Required:

Upholstery



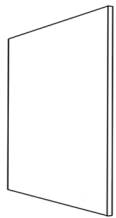
Seat

1x



Roof

1x



Back

1x



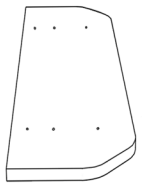
Lower Shelf

1x

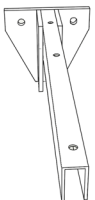


Upper Shelf

1x



1x



2x



6x



8x



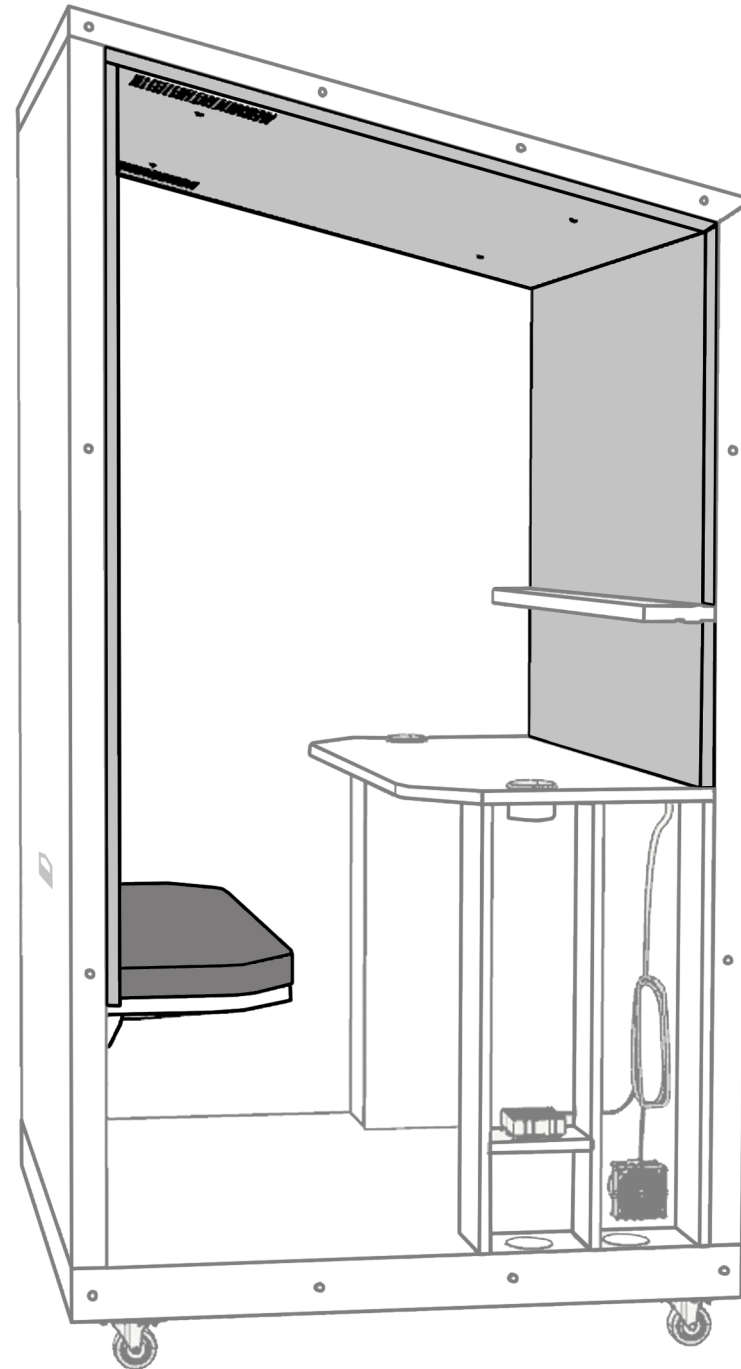
Fir Tree Clip

4x



Velcro

6x

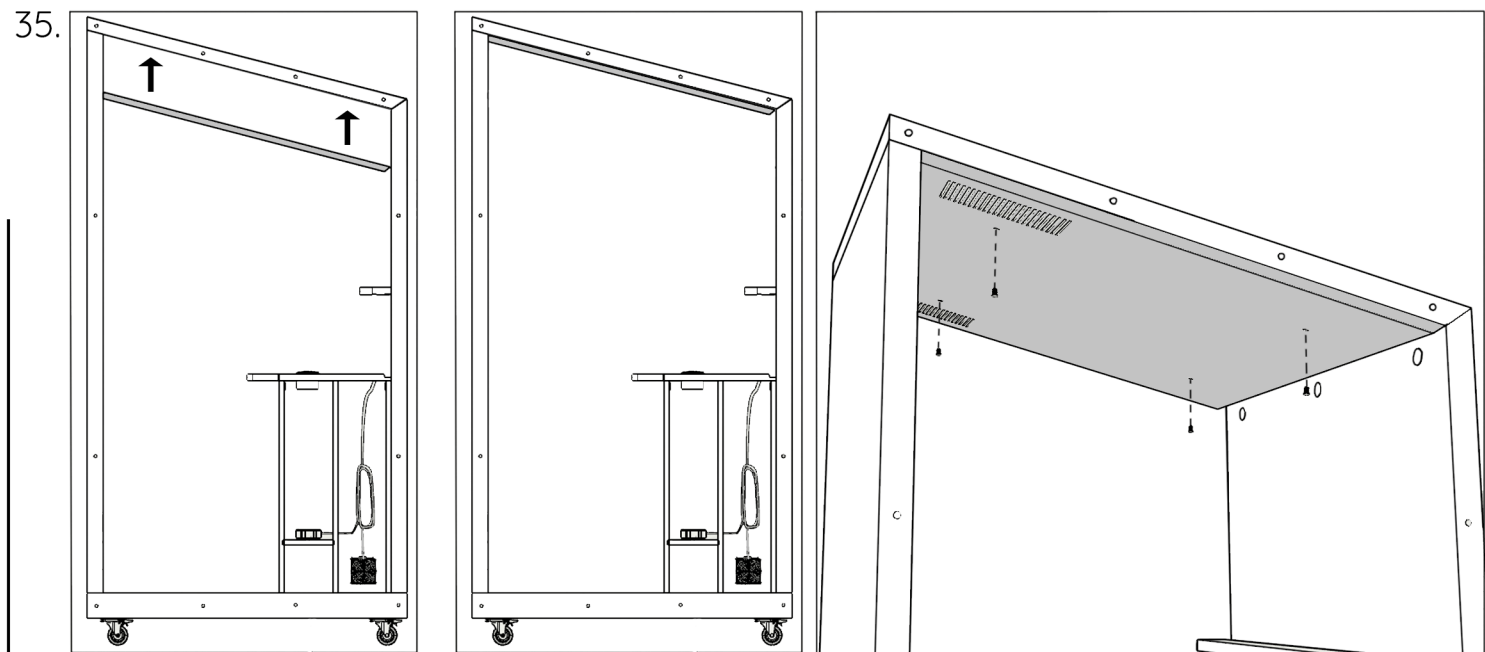




Section C

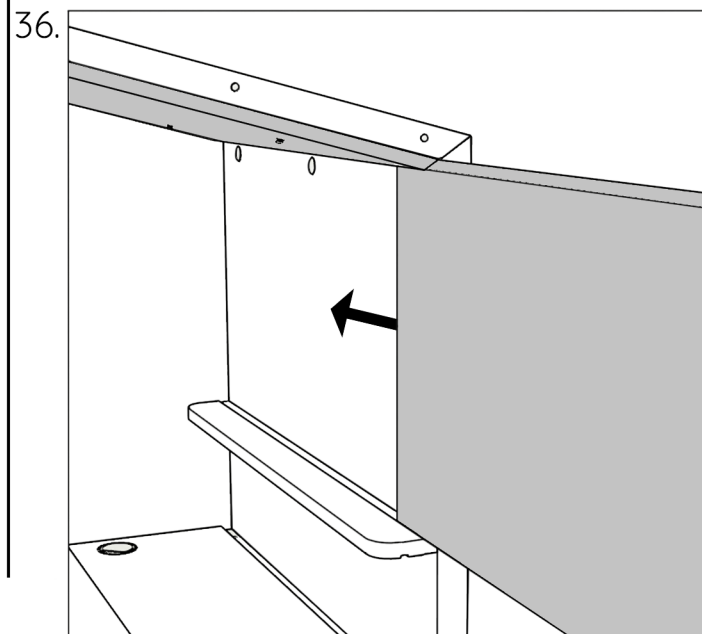
35. Push the Roof Upholstery to the roof, ensuring the end closest to the Shelf has a cut angle facing down.

Push 4 Fir Tree Clips into the Upholstery Holes.

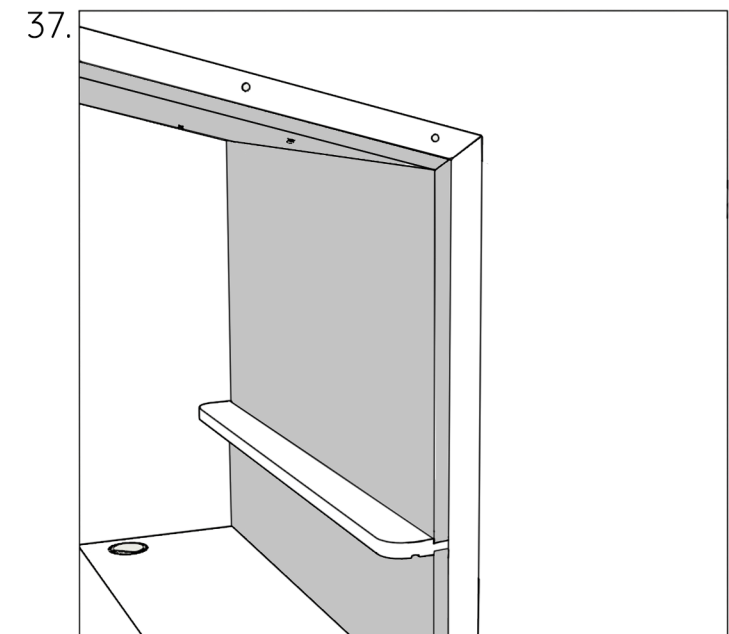


36. Take the Upper Shelf Upholstery and slide it into its fitted slot.

Make sure the upholstery is put in the correct way, matching its counterpart with the mitred edge.



37. Repeat this process for the Lower Shelf Upholstery beneath the Shelf



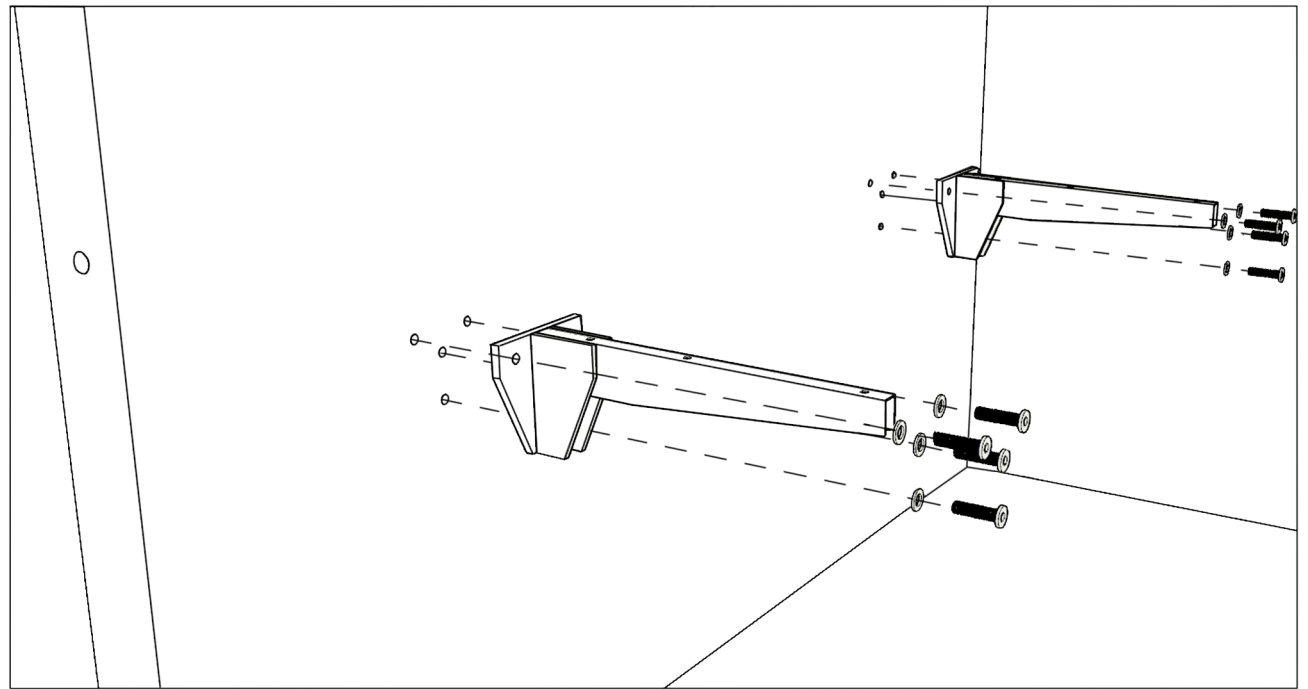


Section C

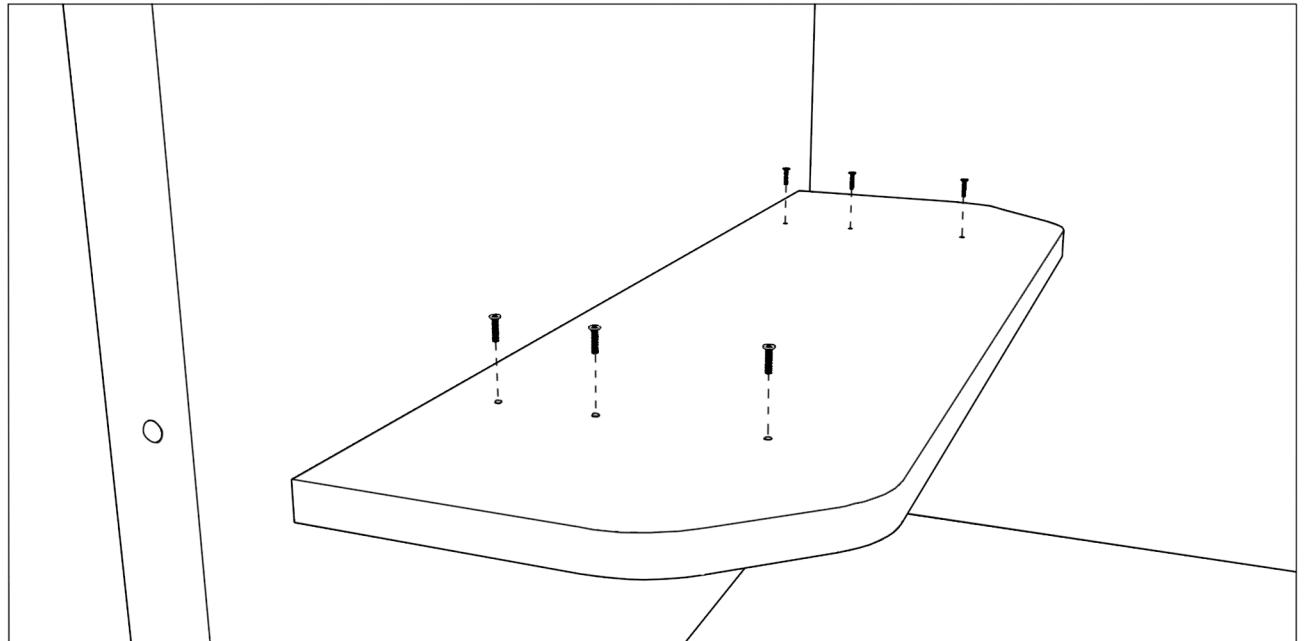
38. Line up the Seat Brackets with the pre-drilled holes, and insert the 4 Washers and Bolts in each hole and tighten.

39. Place the Seat on top and align the holes, and insert the 6 Bolts and tighten.

38.



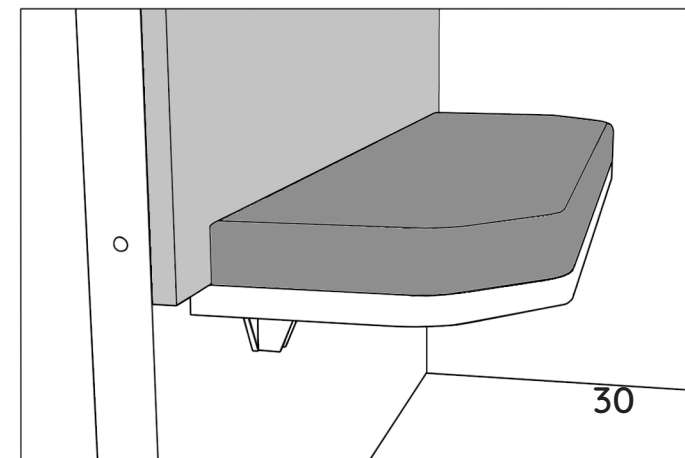
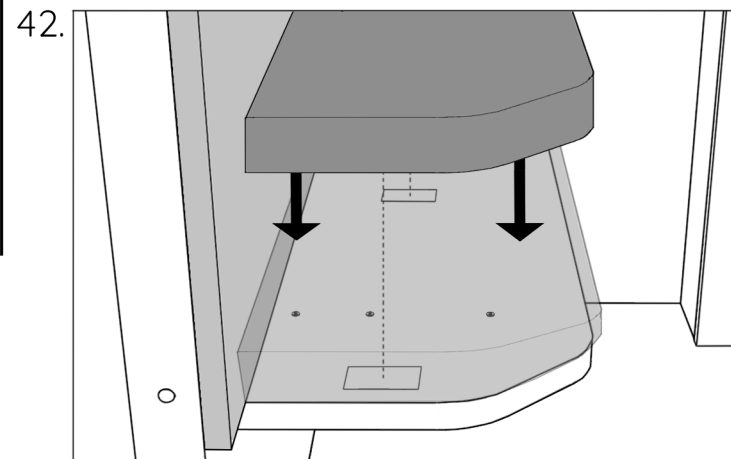
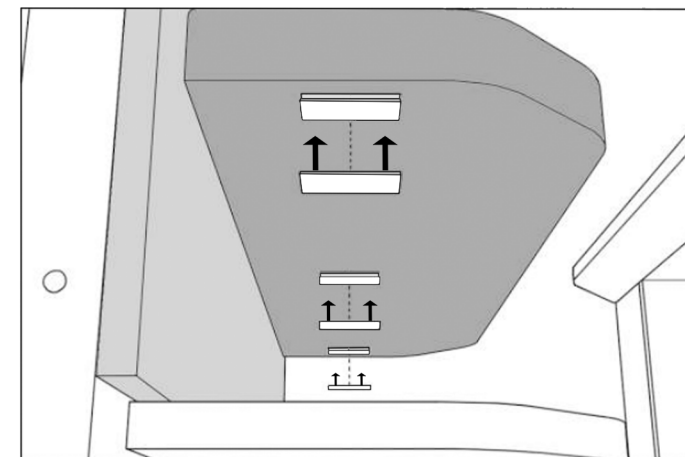
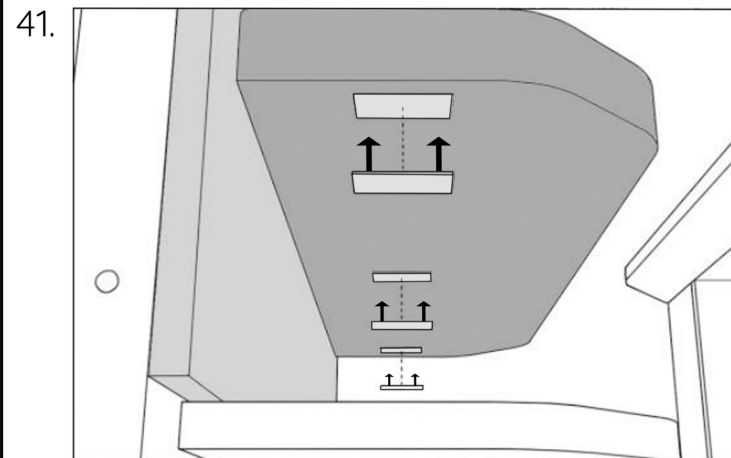
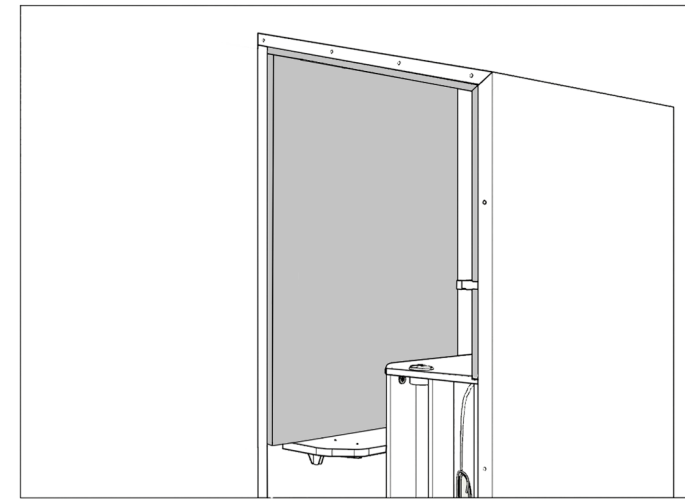
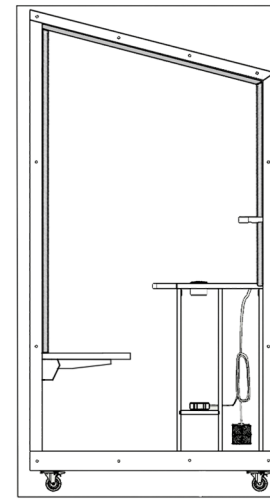
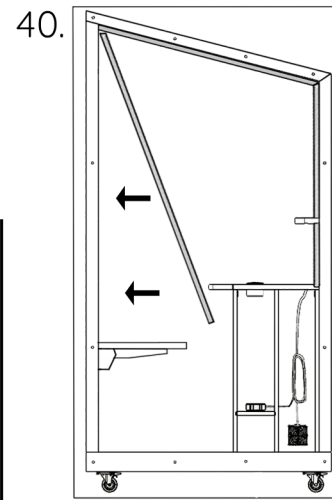
39.





Section C

40. Take the Back Upholstery and angle it into position. Push it onto the velcro on the Back wall to secure it in place. Make sure the upholstery is put in the correct way, matching its counterpart with an angled top.
41. Affix the 3 loose velcro strips to the 3 fixed velcro strips on the underside of the seat cushion. Remove the protective covering from the sticky side of the velcro. Position the cushion on the bench and press down in each location for 10 seconds to ensure a firm, long lasting grip.
42. Place the Seat Upholstery on top of the Seat and sit on the Seat to allow the Velcro adhesive to set firmly.

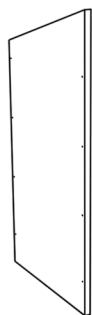




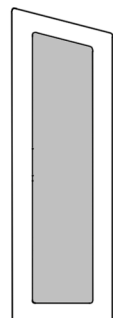
Section D

Handle, Walls and Doors Installation

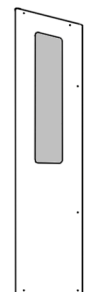
Parts Required:



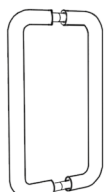
Back Wall



Door



Window Panel



Handle



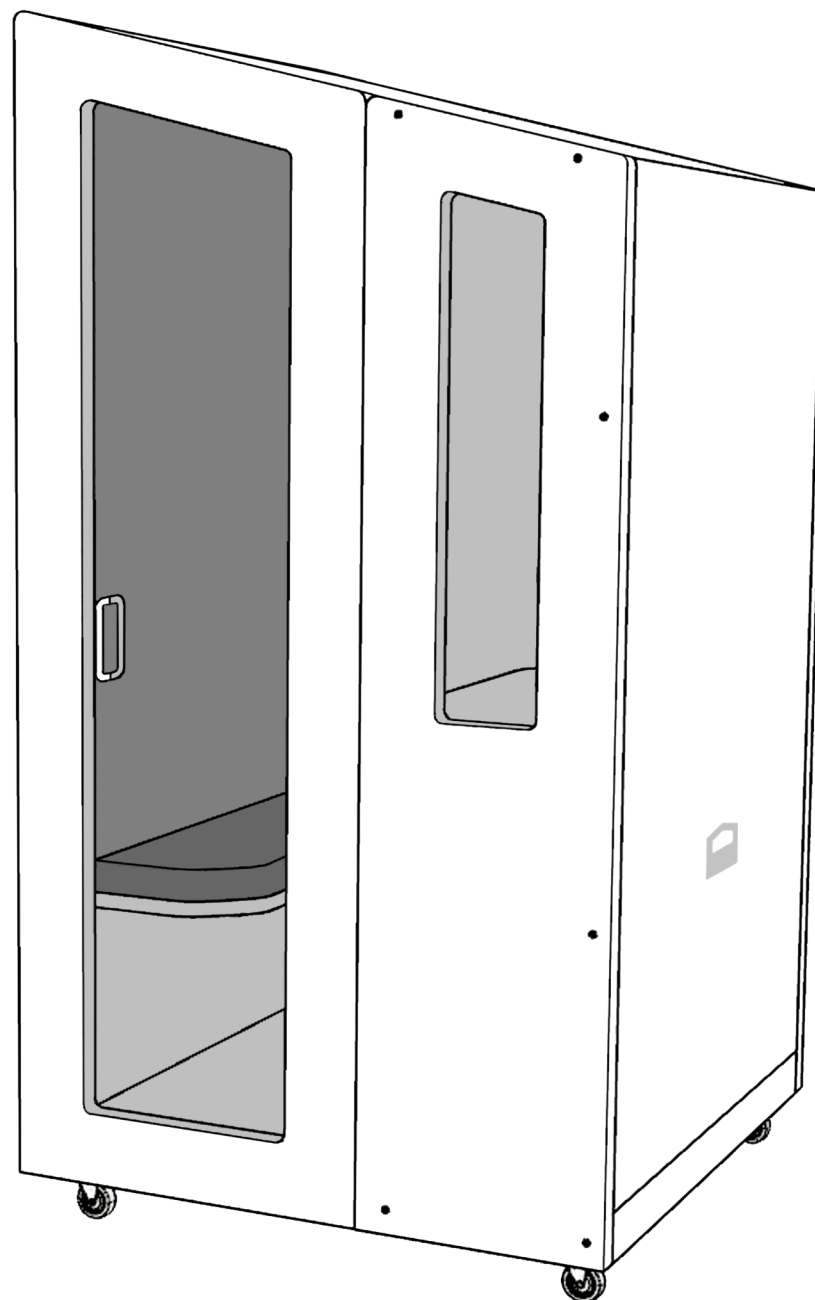
14x



52x



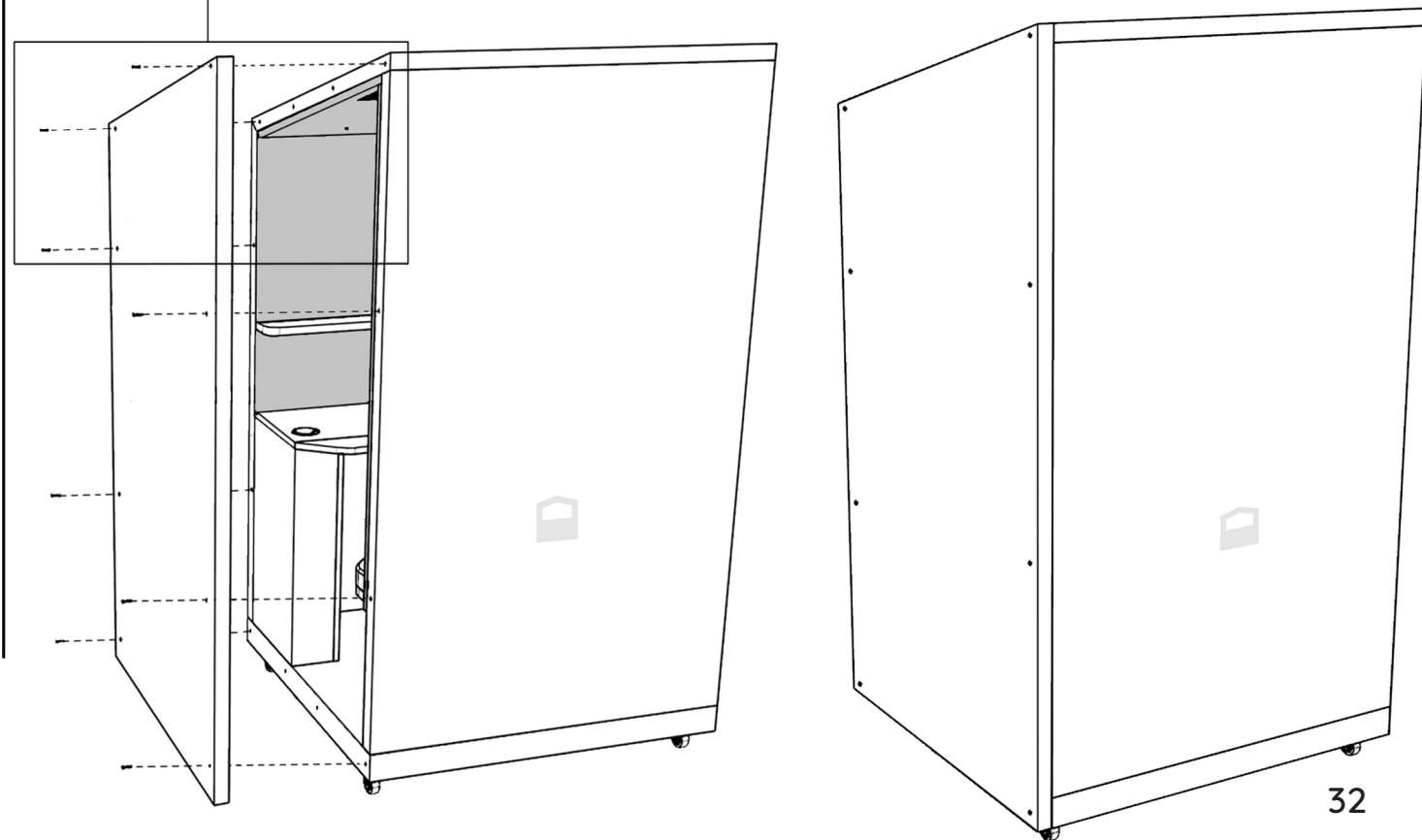
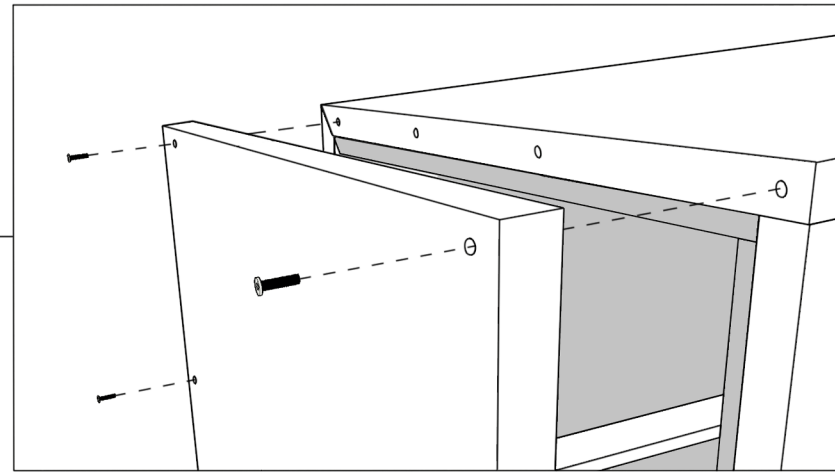
Hinge
1x





Section D

43. Take the Back Wall and align it with the holes for the 8 Bolts, place them in and tighten.

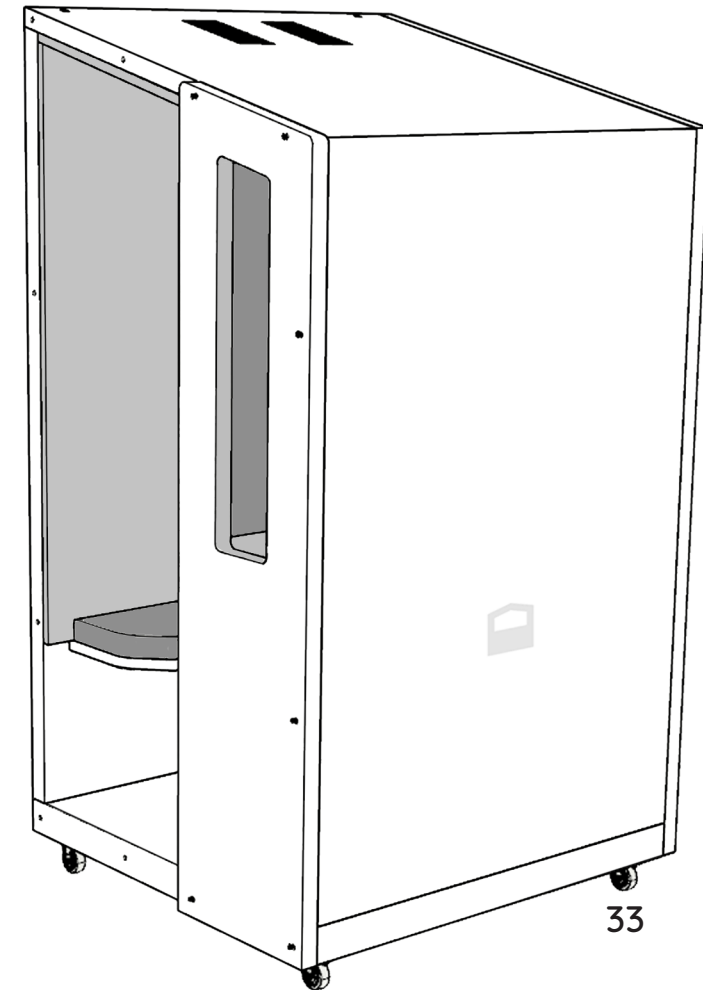
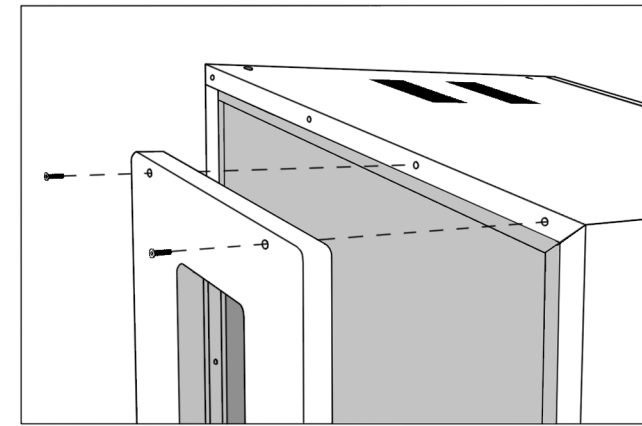
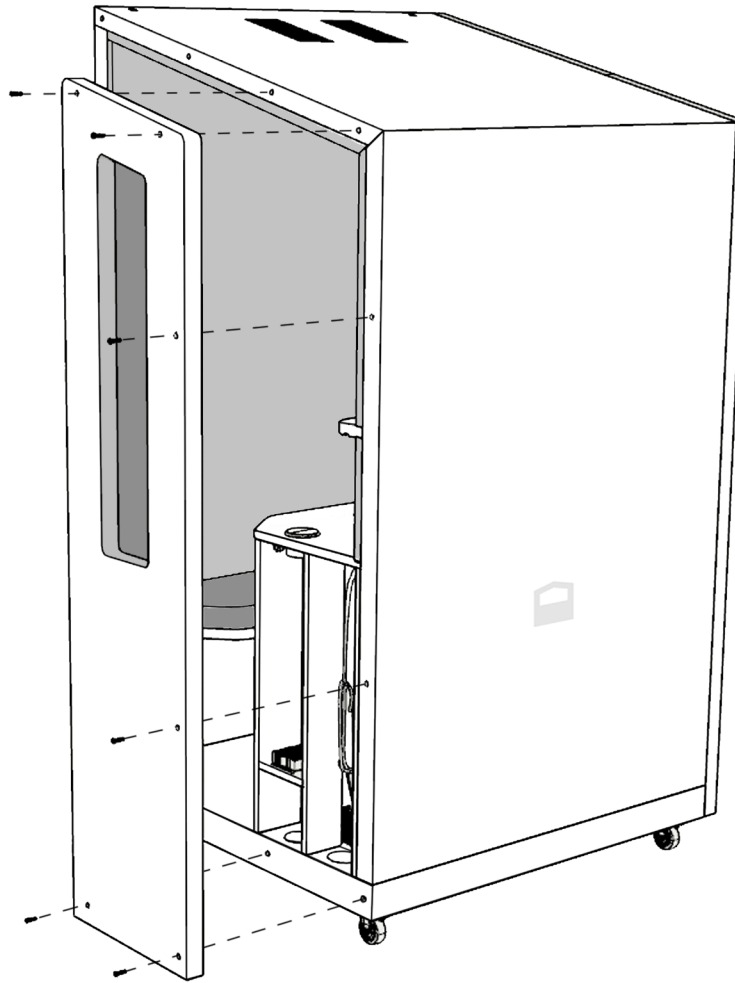




44.

Section D

44. Take the Window Panel and align it with the holes for the 6 Bolts, place them in and tighten.



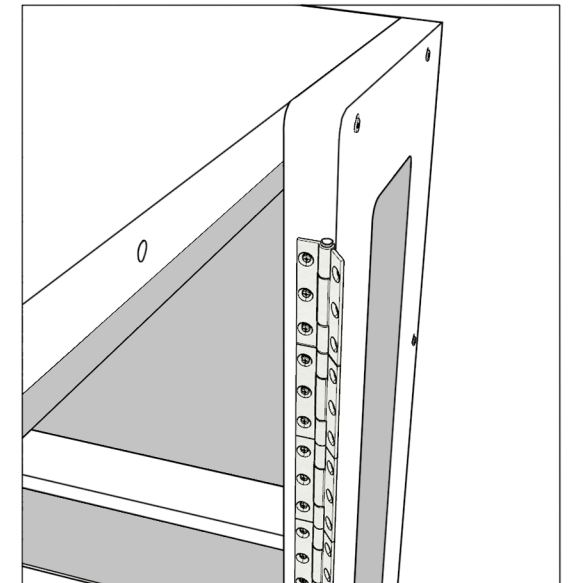
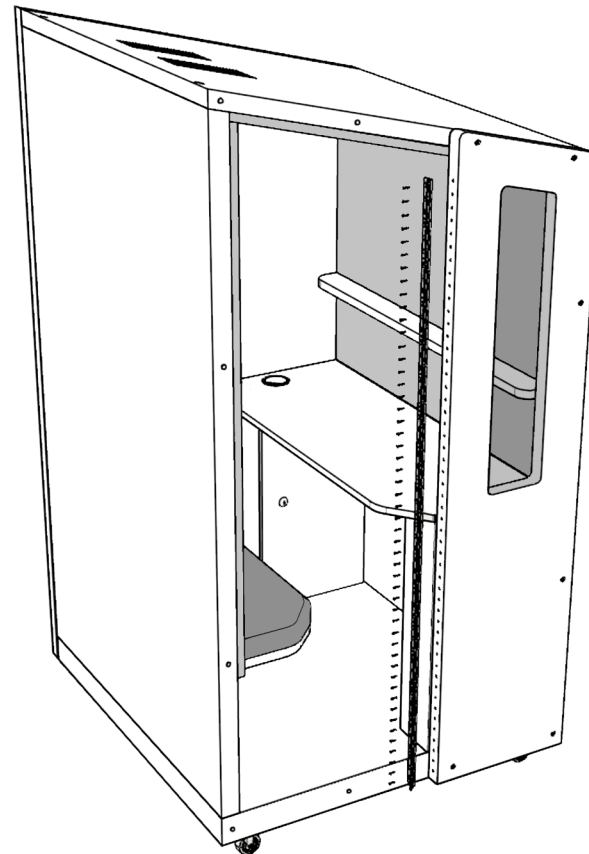
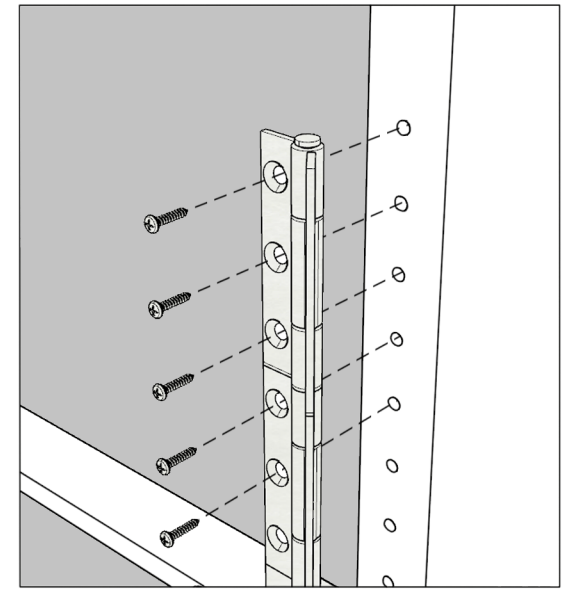
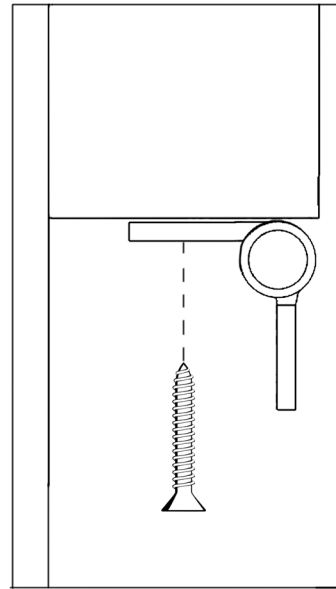


45.

Section D

45. Place the Hinge against the Window Panel edge and secure the top Screws first, and work down fixing the 26 through the Hinge to attach the Hinge

Note:
Make sure the Hinge is the correct orientation.

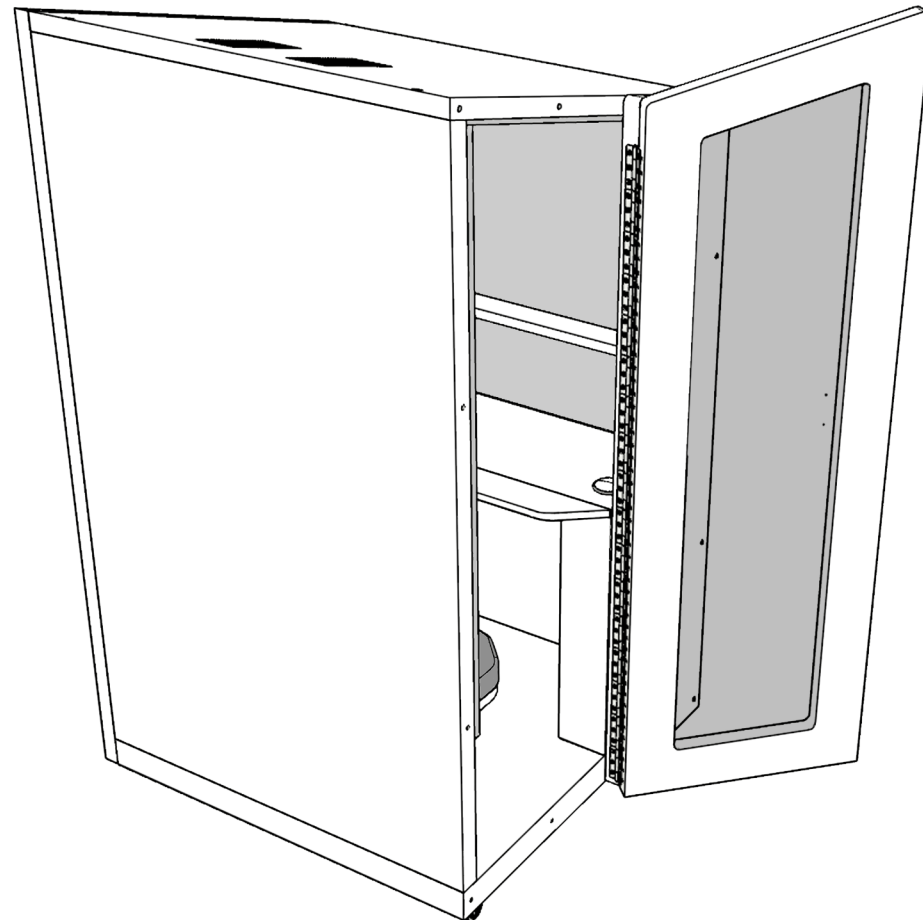
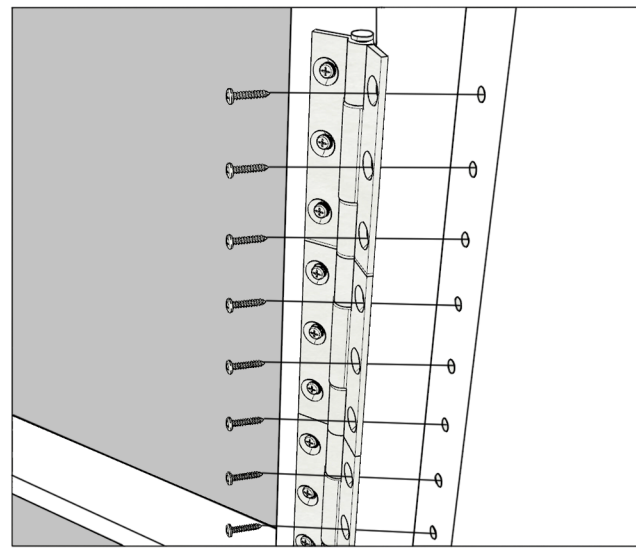




46.

Section D

46. Take the Door and offer it up to the Hinge and secure the top Screws first, and work down fixing the 26 Screws.





Section D

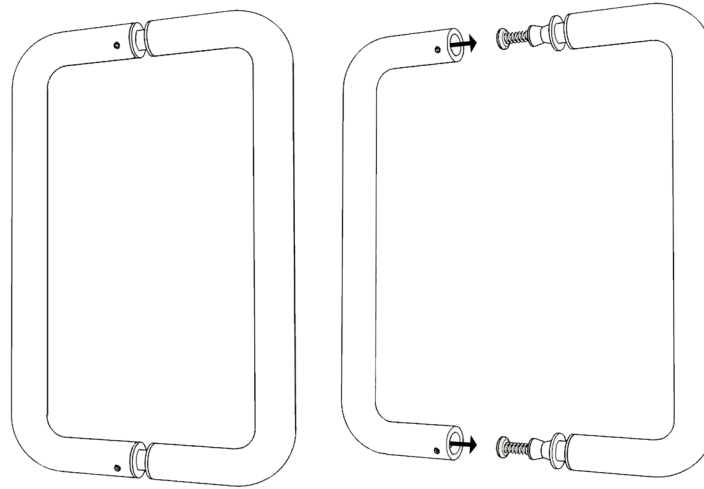
47. With the provided Allen Key, unscrew the four Screws around the Handle.

Note:

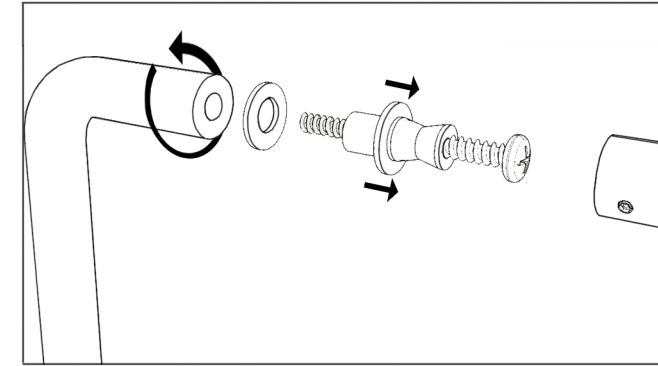
The Screws in the Handle are very small and only need to be loosened to separate the two handles.

48. Unscrew the Bolt from the Handle and remove the furthest Washer.
49. Take Bolt pieces and place them in the Door making sure the Bolt passes through the Door and Washer into the Handle, and screw it tight. Then attach the Handle on the Bolt head side, and tighten the four Screws around the Handle securing the Door Handle.

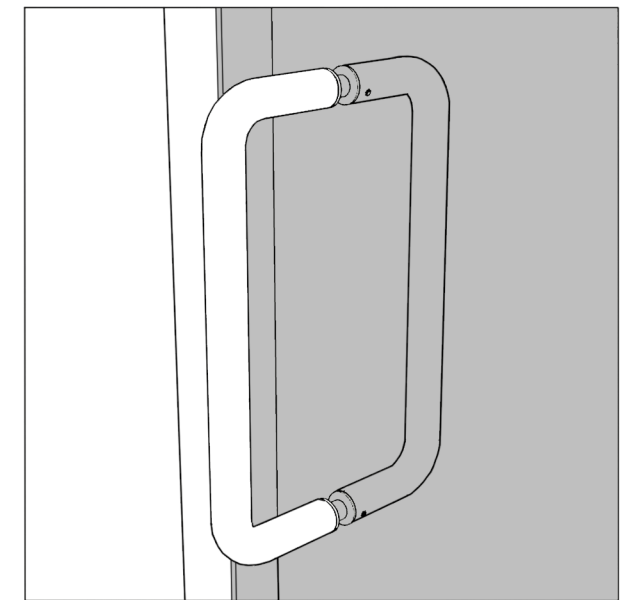
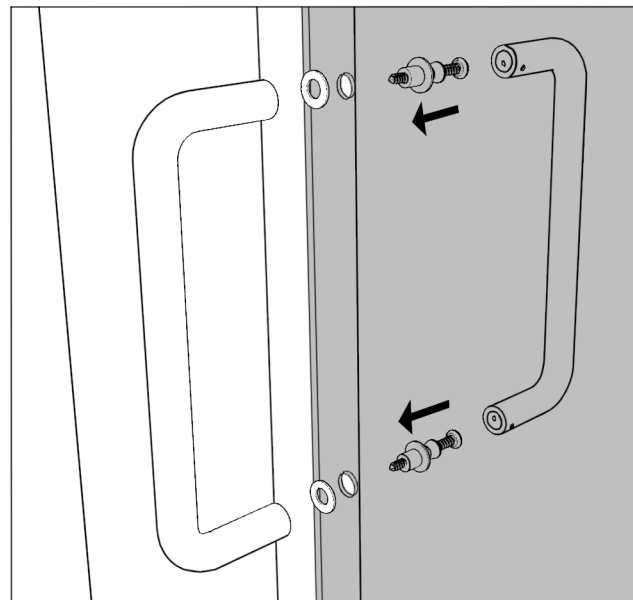
47.



48.



49.

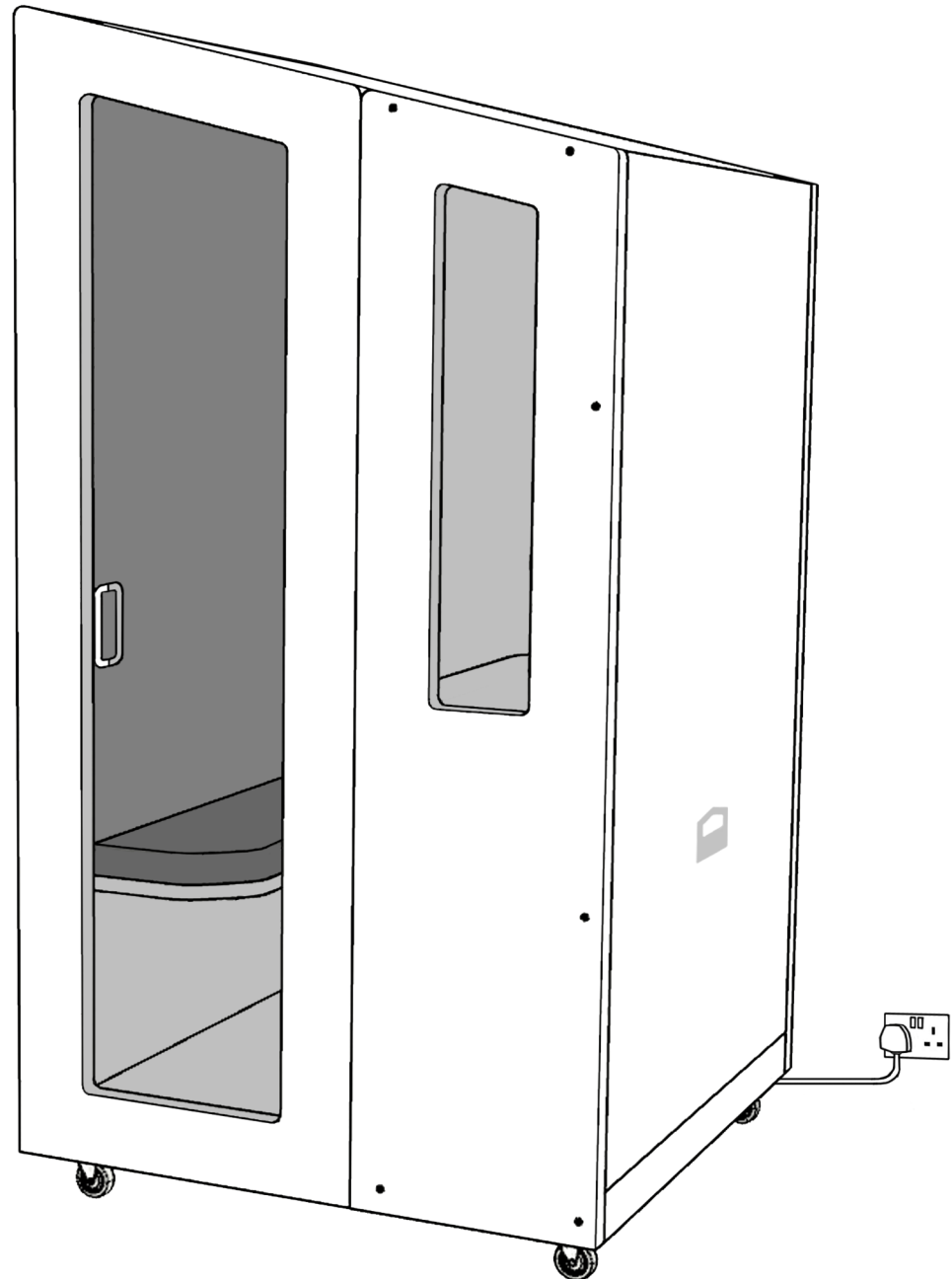




Section D

50. In the Power Box, connect all the plugs into sockets, and allow the main Power Cable to be dropped down through the circular cut out.

Take the main Power Cable and plug it into an electric outlet and enjoy using your Nook Solo





We hope you enjoy your new Nook.

Should you have any questions or feedback, or require any assistance with any aspect of this installation, please get in touch with your Nook Dealer.

Regards,
The Nook Team