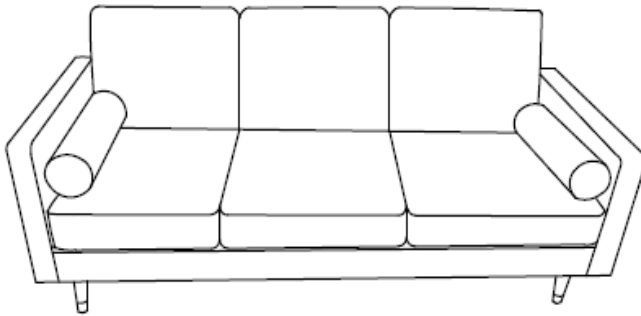


# HUGO SOFA BED

## ASSEMBLY GUIDE



[www.furniturebox.co.uk](http://www.furniturebox.co.uk)

Scan QR code for more tips,  
advice and assembly video or visit  
[furniturebox.co.uk/club/hugo-sofabed](http://furniturebox.co.uk/club/hugo-sofabed)



**Important - Please read these instructions fully before starting assembly**



**SAFETY AND  
CARE ADVICE**



**NO POWER TOOLS**

**SAFETY AND CARE ADVICE**

- Check you have all the components and tools listed.
- Remove all fittings from the plastic bags and separate them into their groups.
- We do not recommend the use of power drills/drivers for inserting screws, as this could damage the unit. Only use hand screwdrivers and Allen keys.
- Keep children and animals away from the work area, small parts could cause choking if swallowed.
- Make sure you have enough space to layout the parts before starting.
- Assemble the item as close to its final position (in the same room) as possible.
- Do not overtighten the nuts to avoid causing damage to the threads.
- Only clean using a damp cloth and mild detergent, do not use bleach or abrasive cleaners.
- From time to time check that there are no loose screws on this unit
- This product should not be discarded with household waste. Take to your local authority waste disposal centre



## IMPORTANT INFORMATION



30 MINUTE  
BUILD








ONE  
PERSON



MAXIMUM  
CAPACITY  
250Kg

PLEASE CHECK CAREFULLY AND MAKE SURE YOU HAVE ALL FITTINGS AND TOOLS LISTED BELOW BEFORE YOU START.

### **HARDWARE LIST:**

A :		2PCS	B :		2PCS
C :		8PCS	D :		1PCS
E :		2PCS			

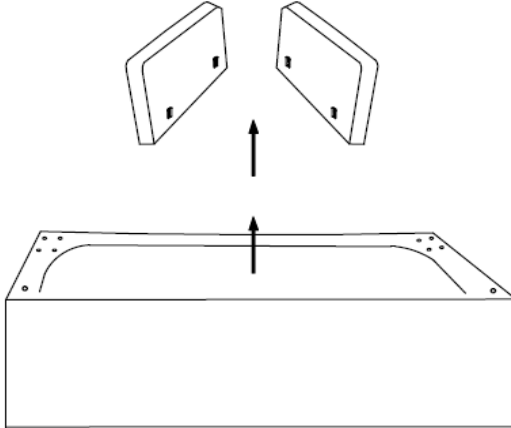
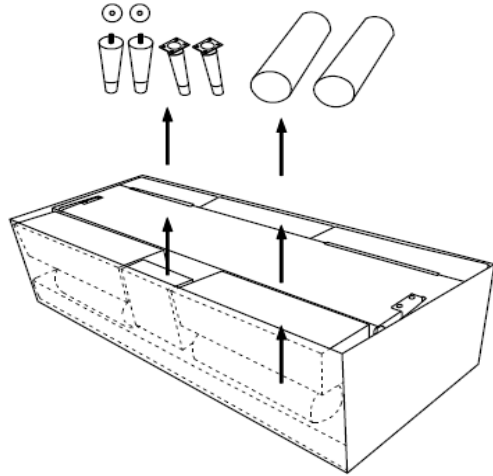
**NOTE:** The quantities above are the correct amount to complete the assembly. In some cases more fittings may be supplied than are required.

## STEP 1

Use a clean, flat, soft surface to avoid any bumps or scratches.

**NOTE: We recommend you assemble your sofa bed as close to its final location as possible.**

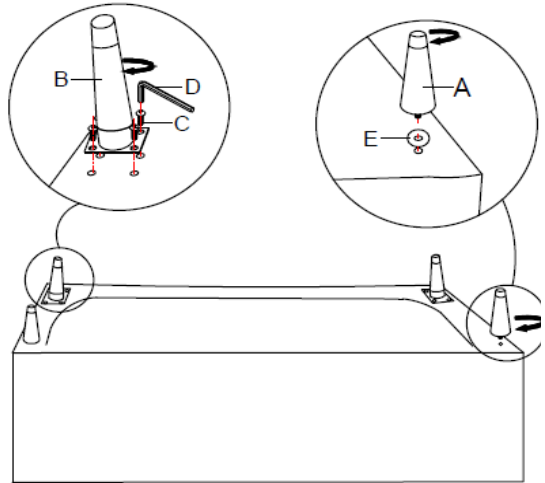
Place sofa face down and remove the components from the compartments on the seat base.



## STEP 2

Attach the 2x legs [A] to the back of the sofa - these screw on with 1x washer [E] for each leg.

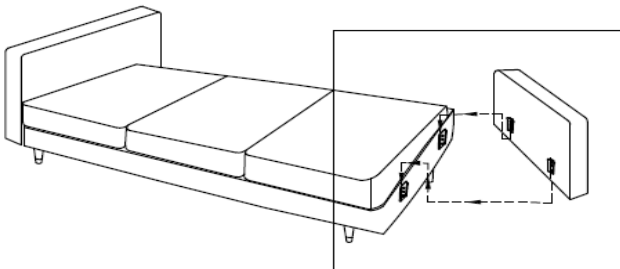
Attach the 2x legs [B] to the front of the sofa - use 4x bolts [C]. Tighten with Allen key [D]



## STEP 3

Carefully flip sofa onto its feet. Slot 2x armrests into the brackets on either side. These will click into place.

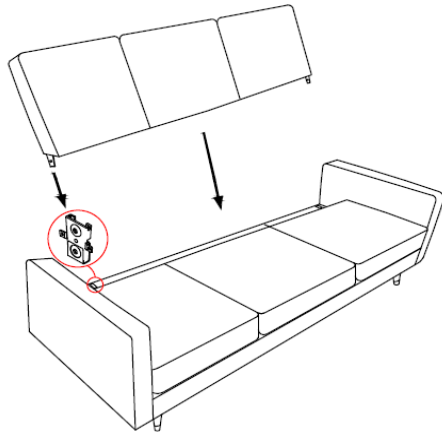
**NOTE:** Take care when assembling sections to avoid any possible entrapments



## STEP 4

Slot sofa back into brackets on sofa frame. This will click into place.

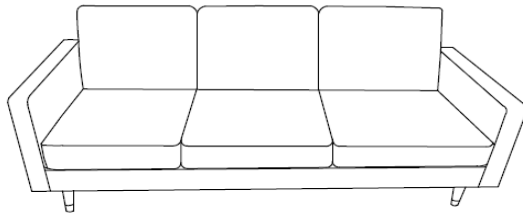
**NOTE:** Take care when assembling sections to avoid any possible entrapments



## STEP 5

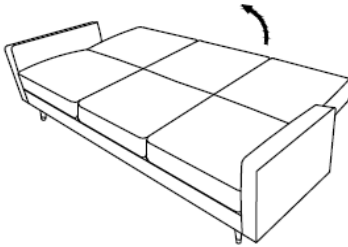
Assembly is now complete!

See following pages for instructions on how to fold into sofa / bed.

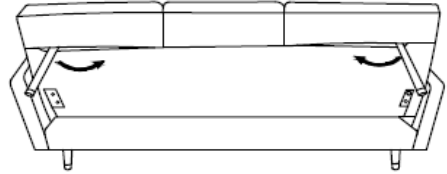


## Sofa Assembly

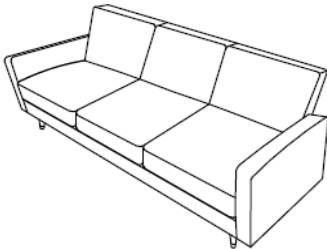
1.



2.

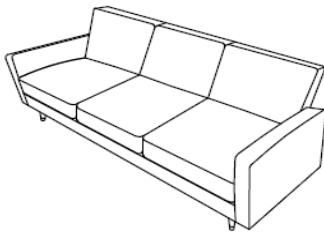


3.

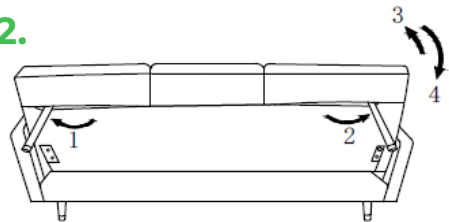


## Bed Assembly

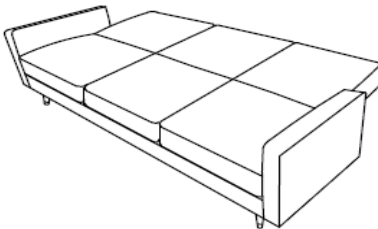
1.



2.



3.





## OUR 2 YEAR\* GUARANTEE

our products come with a 2 year guarantee to give you peace of mind shopping at Furniturebox

\*excludes some garden furniture items which have a 1 year guarantee



## WHAT THE GUARANTEE COVERS



### PRE-INSERTED FIXINGS

e.g. lose metal threads



### FAULTY JOINTS

e.g. legs bending



### EXTERNAL FIXING FAULTS

e.g. bonding/glue



### STRUCTURAL INTEGRITY

e.g. the frame of the product



## ACTIVATE YOUR GUARANTEE ONLINE

scan this QR code with your phone to read the full guarantee online and register your product. It only takes a moment to fill out. Or visit: [furniturebox.co.uk/our-guarantee](https://furniturebox.co.uk/our-guarantee)

Furniturebox UK, Unit 6, St Modwen's Park,  
Chippenham, SN15 5BD  
Tel: 01747 863333 Email: [sales@furniturebox.co.uk](mailto:sales@furniturebox.co.uk)