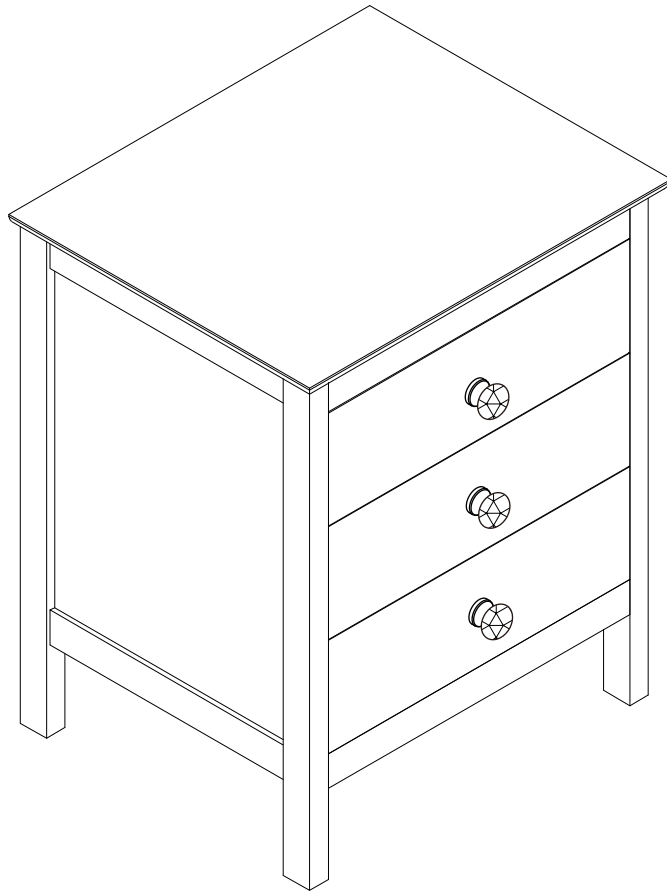
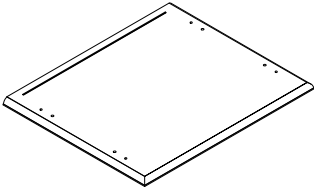
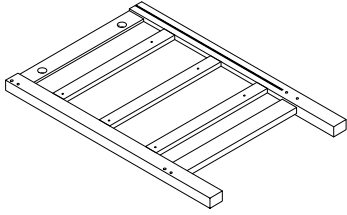
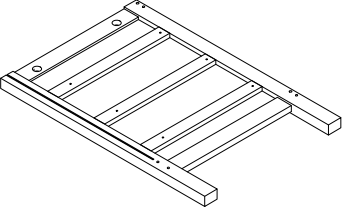
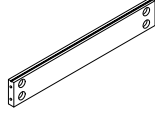
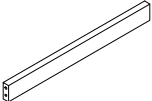
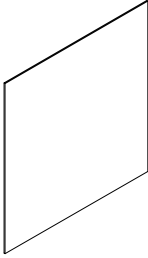
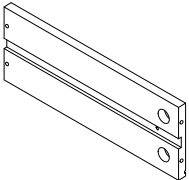
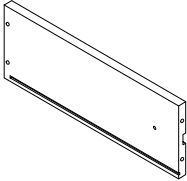
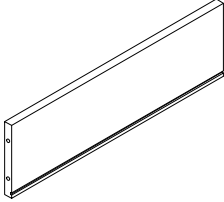
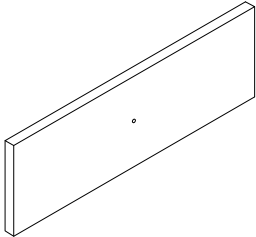
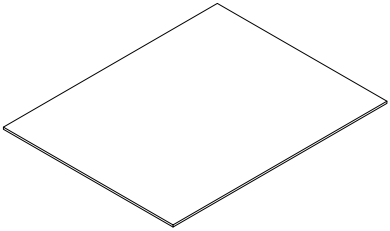
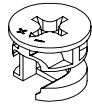
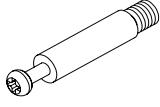
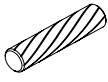
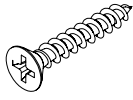


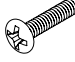
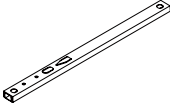



# Installation & Assembly






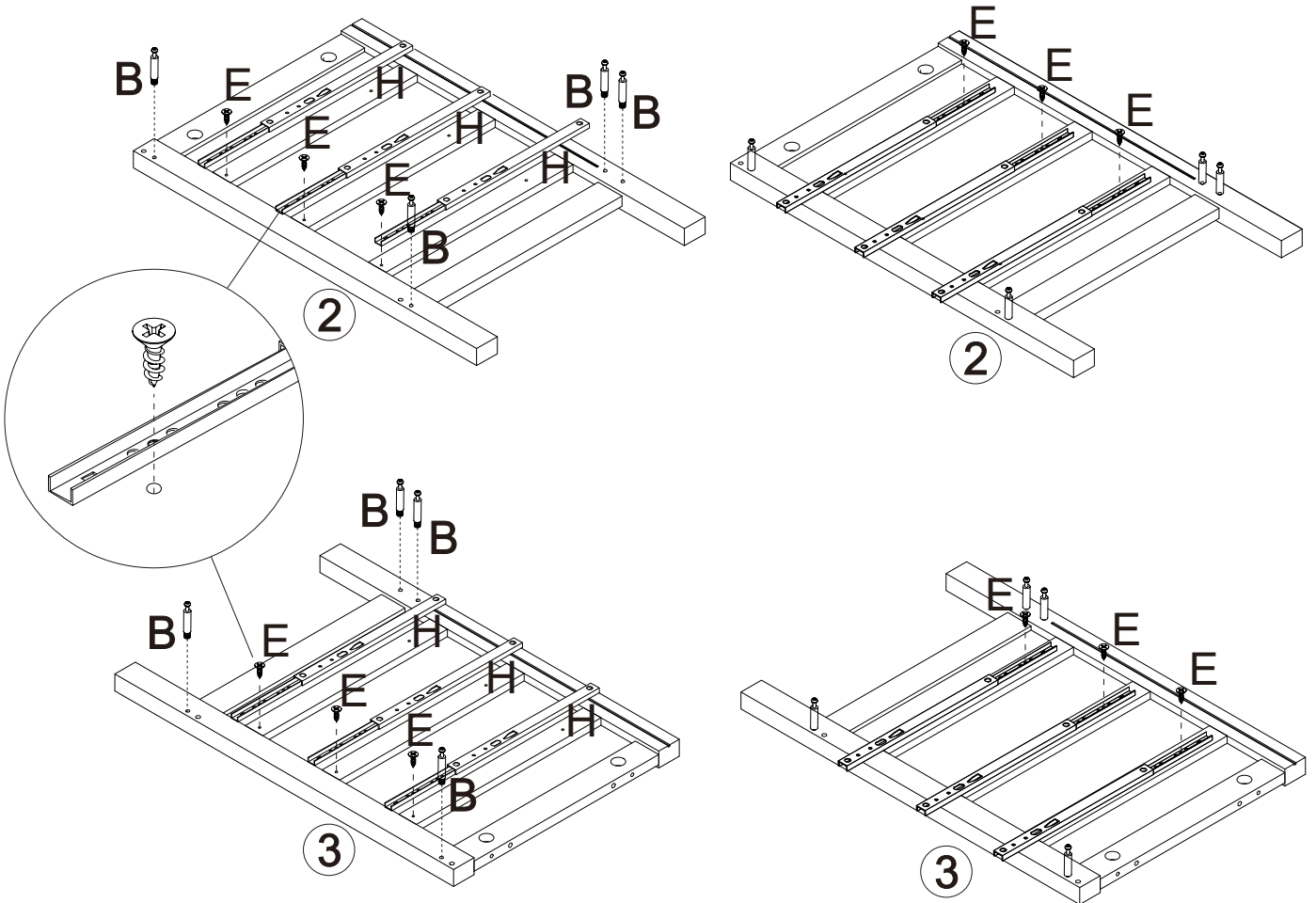
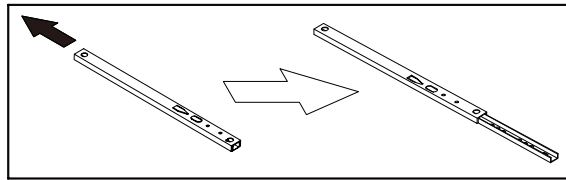
**Cabinet**

1x1		2x1	
3x1		4x1	
5x2		6x1	
7x3		8x3	
9x3		10x3	
11x3			



A x24	B x24	C x8	D x12	E x12
				
F x3	G x3	H x6	I x6	
				

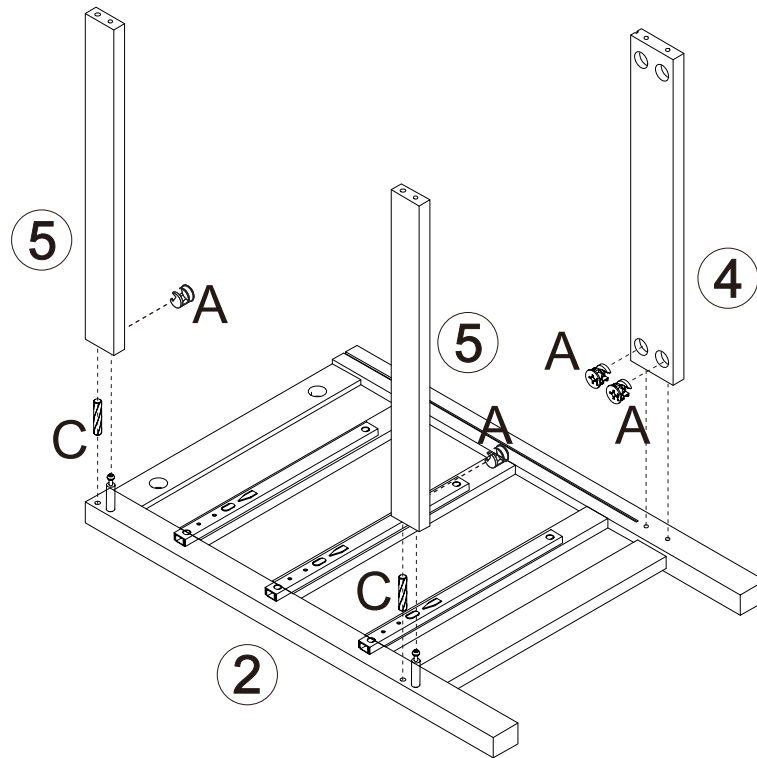
# step 1

Bx8	Ex12	Hx6
		





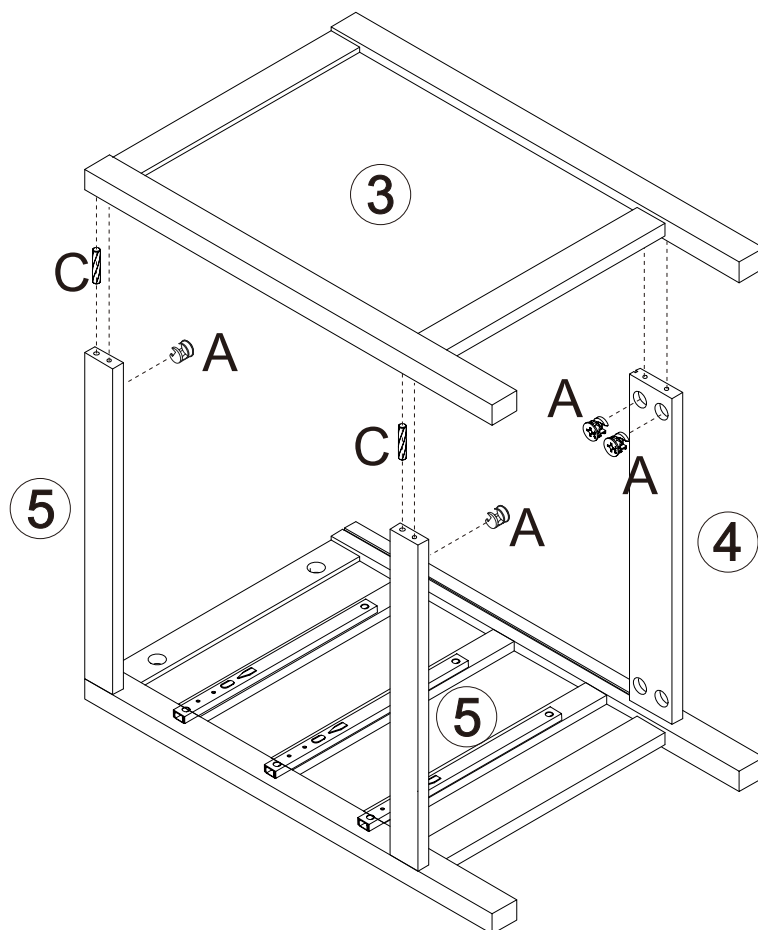
## step 2

Ax4	Cx2
	

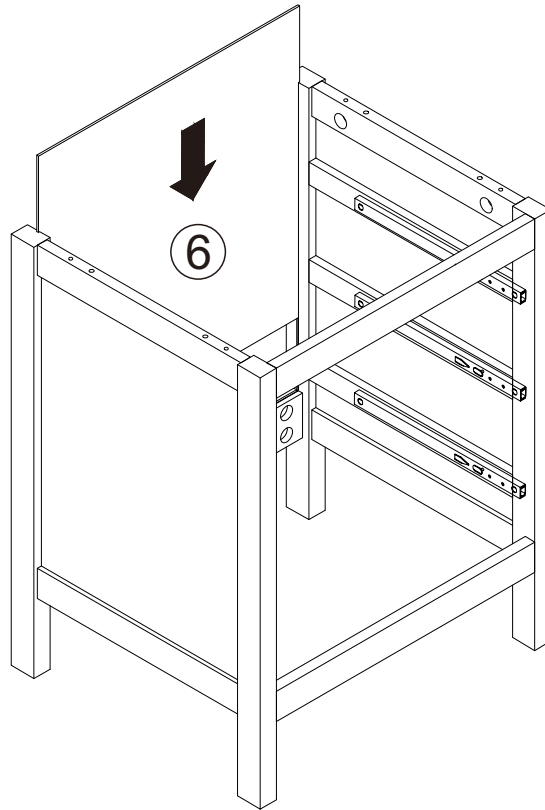


## step 3




Ax4	Cx2
	

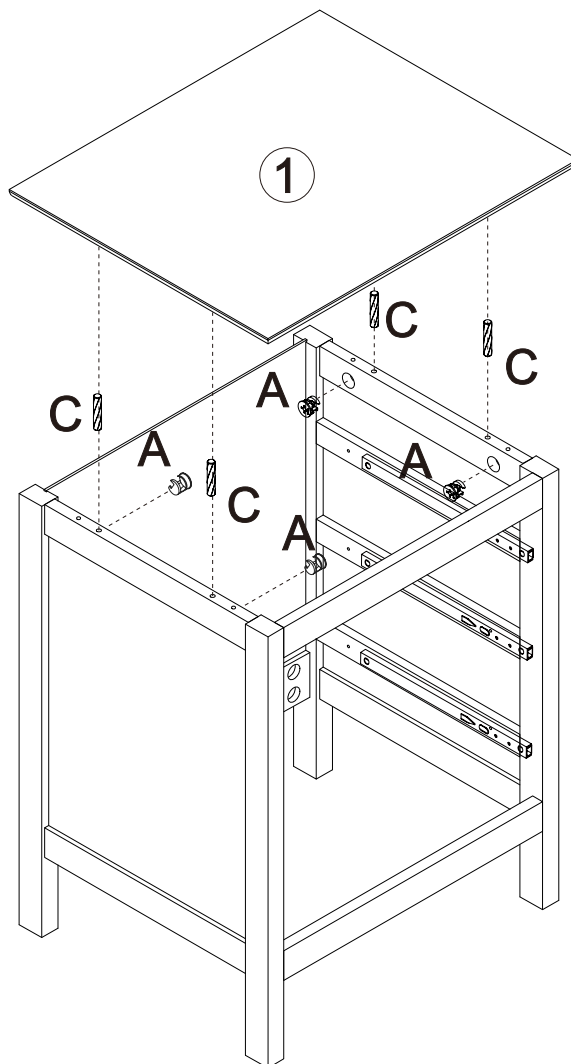
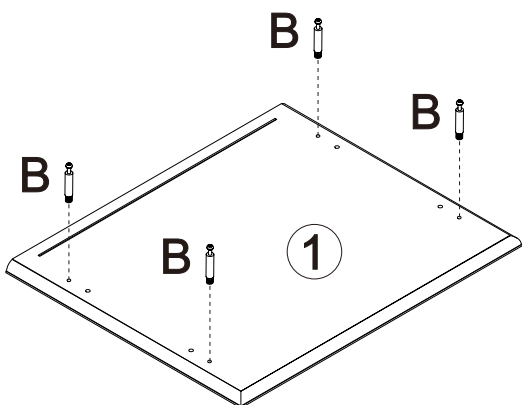


# step 4








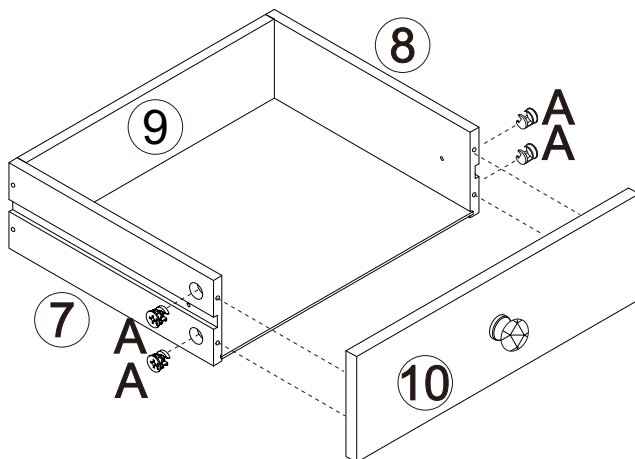
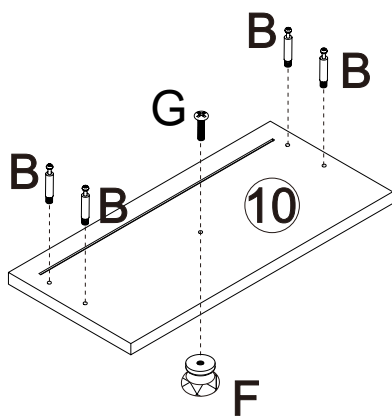
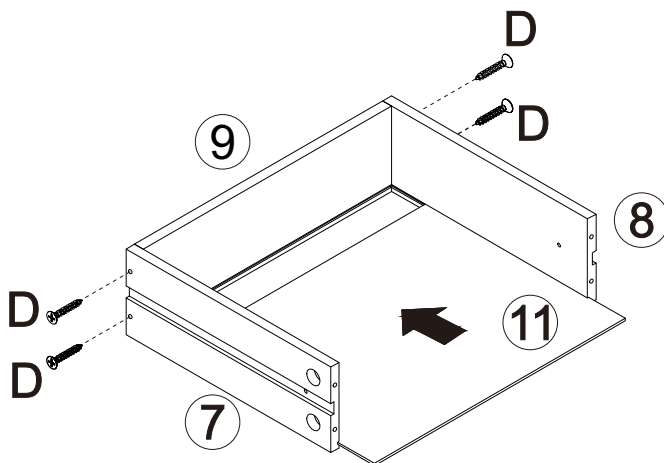
# step 5

Ax4	Bx4	Cx4
		

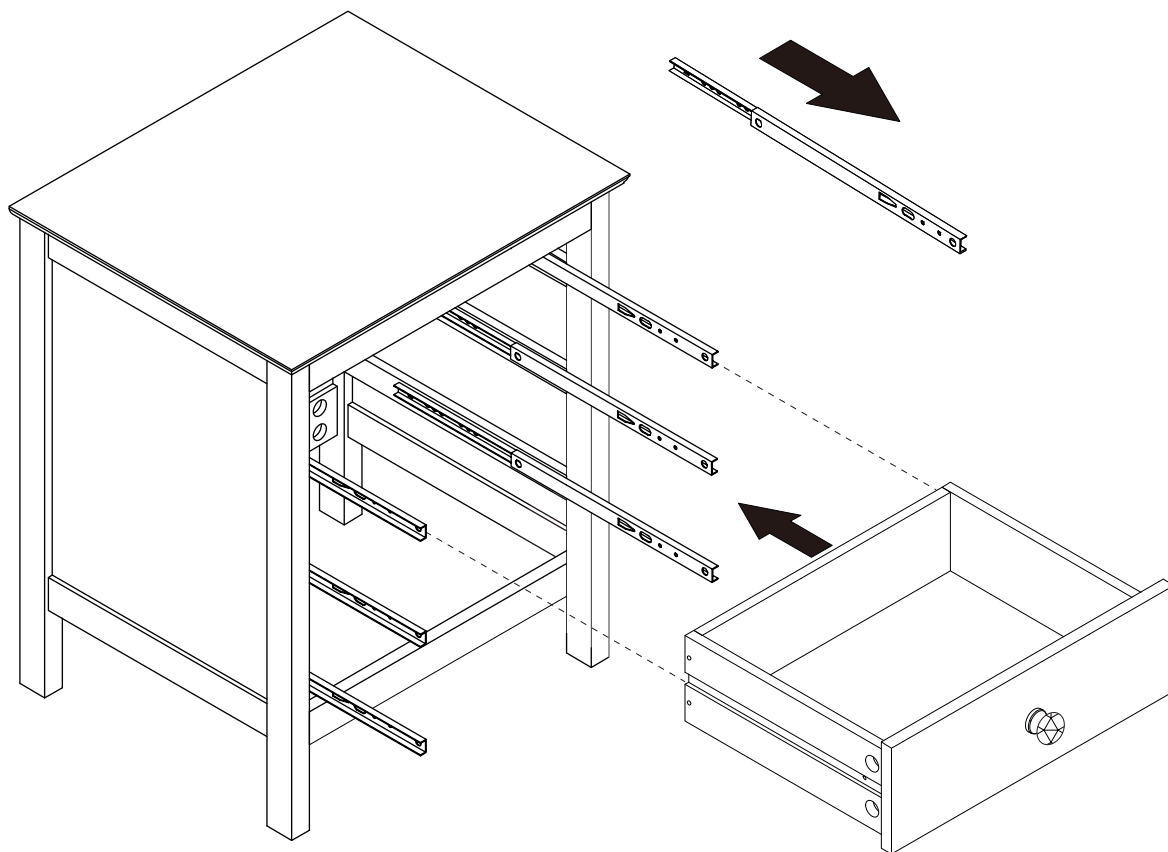


# step 6x3

Ax12	Bx12	Dx12
		
Gx3	Fx3	
		



# step 7



# step 8

