

# ASSEMBLY INSTRUCTIONS

## 36 INCH BATH VANITY (COMBO)

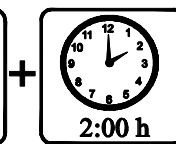
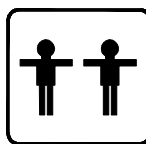
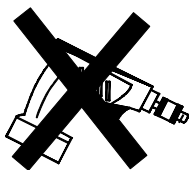


Thank you for purchasing this quality product. Be sure to check all packing material carefully for small parts which may have come loose inside the carton during shipment. Separate, identify and count all parts and hardware.

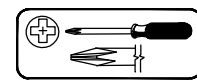
Compare with the parts list to be sure all parts are present.

**"DO NOT TIGHTEN SCREWS UNTIL COMPLETELY ASSEMBLED"**

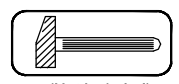
**\* Use of power tool to assemble this product will invalidate any claim and damage this product making unsafe !!!**  
**\* Please assemble on a clean soft surface to avoid damage.**



### Tools Required



(Not included)



(Not included)

**IMPORTANT:**

**PLEASE READ INSTRUCTION BEFORE STARTING THE ASSEMBLY**

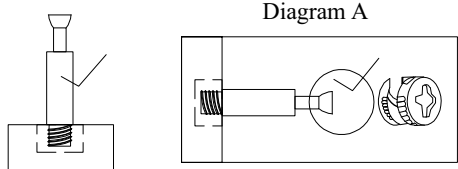
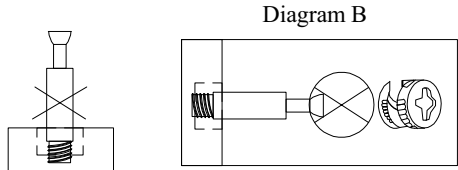
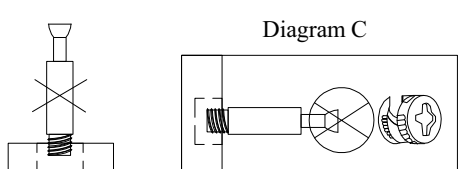
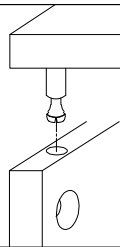
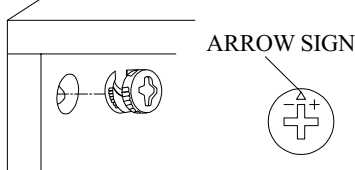
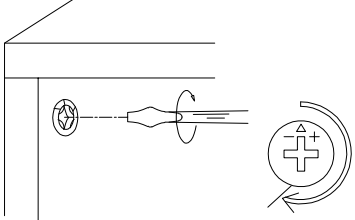
# Before Installation

Important – Please read these instructions fully before starting assembly

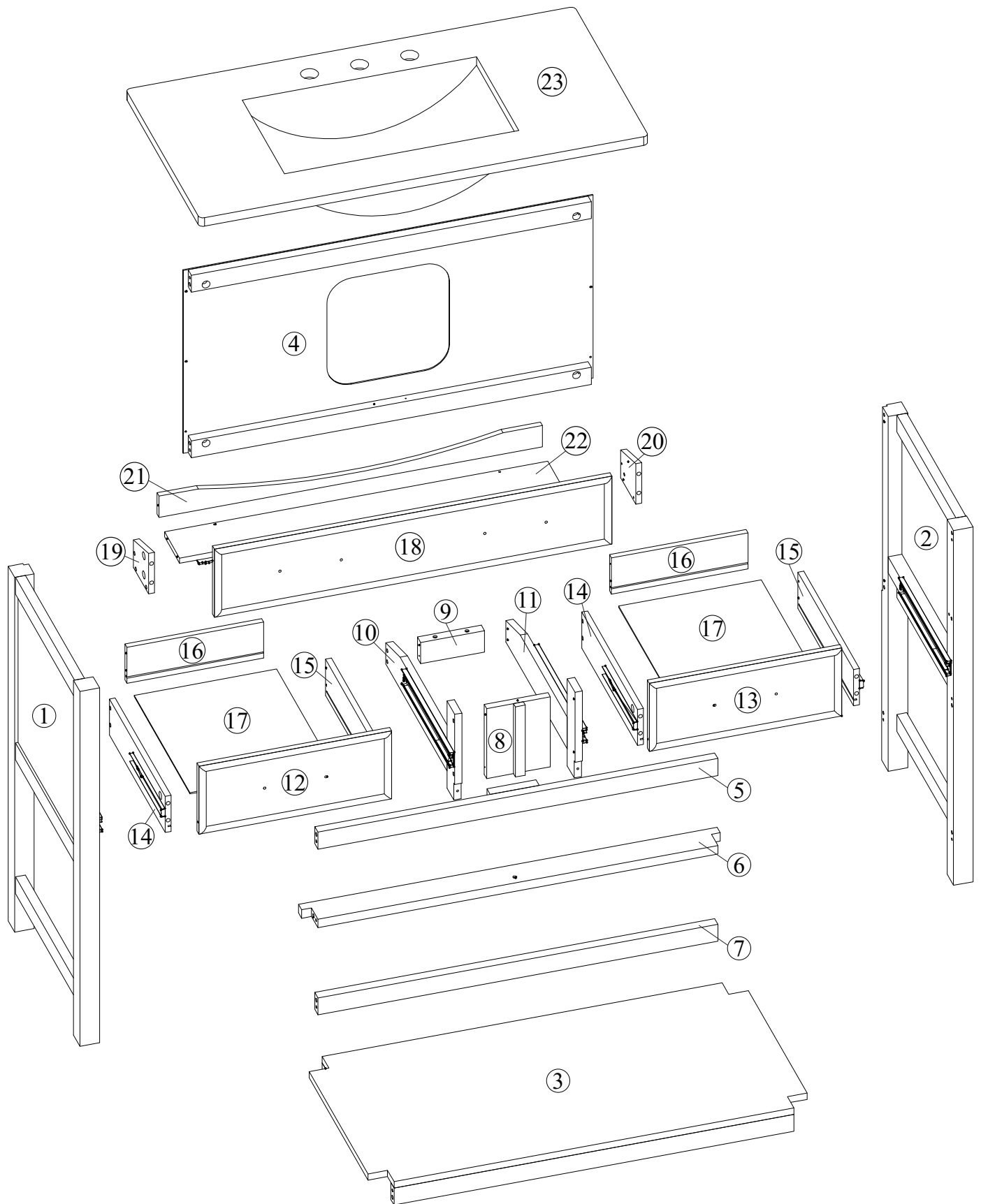
Thank you for purchasing this quality product. Be sure to check all packing materials carefully for small parts, which may have come loose inside the carton during shipment. Identify and count all items according to the PARTS LIST and/or HARDWARE LIST shown below. Check you have all the components and tools listed on the following pages.

- We recommend that you assemble this product with the assistance of another person; this will make the assembly easier, and will help eliminate damage to the product or injury to persons during assembly.
- Please do not over tighten screws or bolts until the assembly is completed.
- Keep children and animal away from the work area, small parts could choke if swallowed.
- Please put all parts on a non-abrasive floor before assembly, and follow the assembly steps to assemble your newly purchased product correctly and efficiently.

## Cam Lock Assembly Instructions


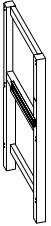
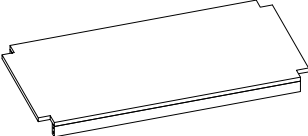
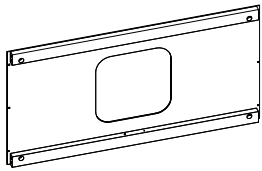
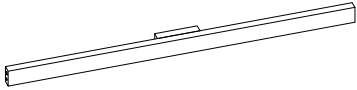
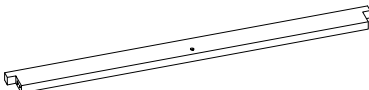
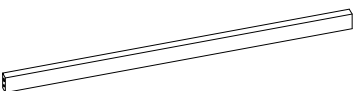
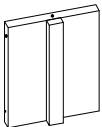
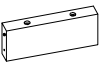
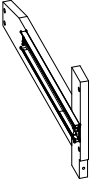
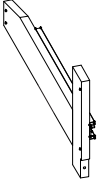
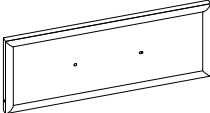
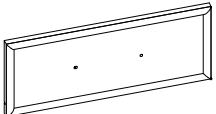
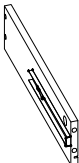
	<p>Diagram A</p> <p>Insert Cam Ball into hole as shown in diagram A.</p>
	<p>Diagram B</p> <p>Make sure not to insert the Cam Bolt: Too deep as shown in figure B as this will cause the cam Lock to be misaligned and unable to interlock properly.</p>
	<p>Diagram C</p> <p>Also avoid inserting the Cam Bolt too close to the surface of the hole as shown in figure C, as this will cause the Cam Lock to be too loose, and not interlock properly.</p>
	<p>Connect the panels together.</p>
	<p>ARROW SIGN</p> <p>Insert the Cam Lock so the side opening fits over the head of the Cam Bolt.</p>
	<p>To tighten the Cam Lock, turn it clockwise on half a turn with a flat screwdriver. <i>*Do not use an automatic screwdriver as it may bend or break if too much power is imposed.</i></p>

# Detail View - BATH VANITY

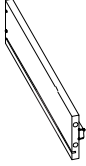
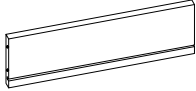
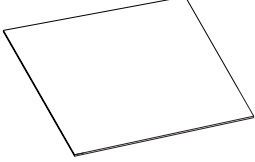
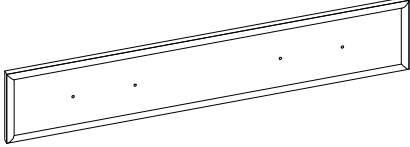


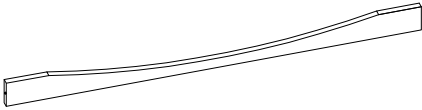
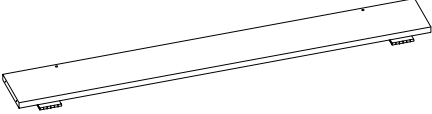
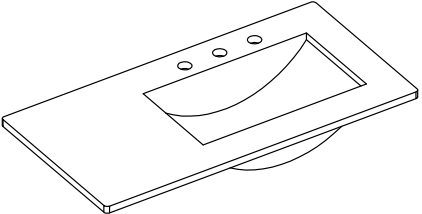


Identifying the Hardware - Identify the hardware using the illustrations below.

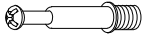


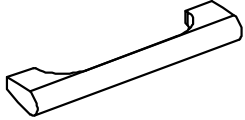
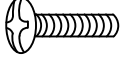
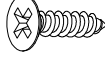
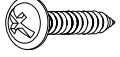




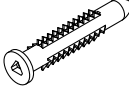


# Part List - N817P288908B/G/W

<p>1</p>  <p>Side Panel (L) - 1pc</p>	<p>2</p>  <p>Side Panel (R) - 1pc</p>
<p>3</p>  <p>Bottom Panel - 1pc</p>	<p>4</p>  <p>Back Panel - 1pc</p>
<p>5</p>  <p>Upper Front Bar - 1pc</p>	<p>6</p>  <p>Middle Front Bar - 1pc</p>
<p>7</p>  <p>Lower Front Bar - 1pc</p>	<p>8</p>  <p>Support Front Panel - 1pc</p>
<p>9</p>  <p>Support Back Panel - 1pc</p>	<p>10</p>  <p>Support Left Side Panel - 1pc</p>
<p>11</p>  <p>Support Right Side Panel - 1pc</p>	<p>12</p>  <p>Left Drawer Face - 1pc</p>
<p>13</p>  <p>Right Drawer Face - 1pc</p>	<p>14</p>  <p>Drawer Left Side Panel - 2pcs</p>

# Part List - N817P288908B/G/W

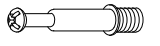
<p>15</p>  <p>Drawer Right Side Panel - 2pcs</p>	<p>16</p>  <p>Drawer Back Panel - 2pcs</p>
<p>17</p>  <p>Drawer Bottom Panel - 2pcs</p>	<p>18</p>  <p>Tilt Storage Face with 2 handles - 1pc</p>
<p>19</p>  <p>Tilt Stotage Left Side Panel - 1pc</p>	<p>20</p>  <p>Tilt Stotage Right Side Panel - 1pc</p>
<p>21</p>  <p>Tilt Stotage Back Panel - 1pc</p>	<p>22</p>  <p>Tilt Stotage Bottom Panel - 1pc</p>
<p>23</p>  <p>Sink - 1pc</p>	

# Hardware List - N817P288908B/G/W

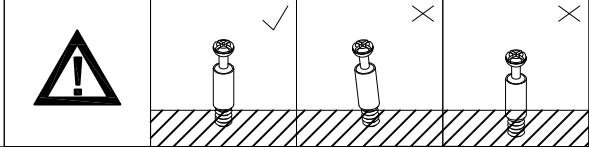
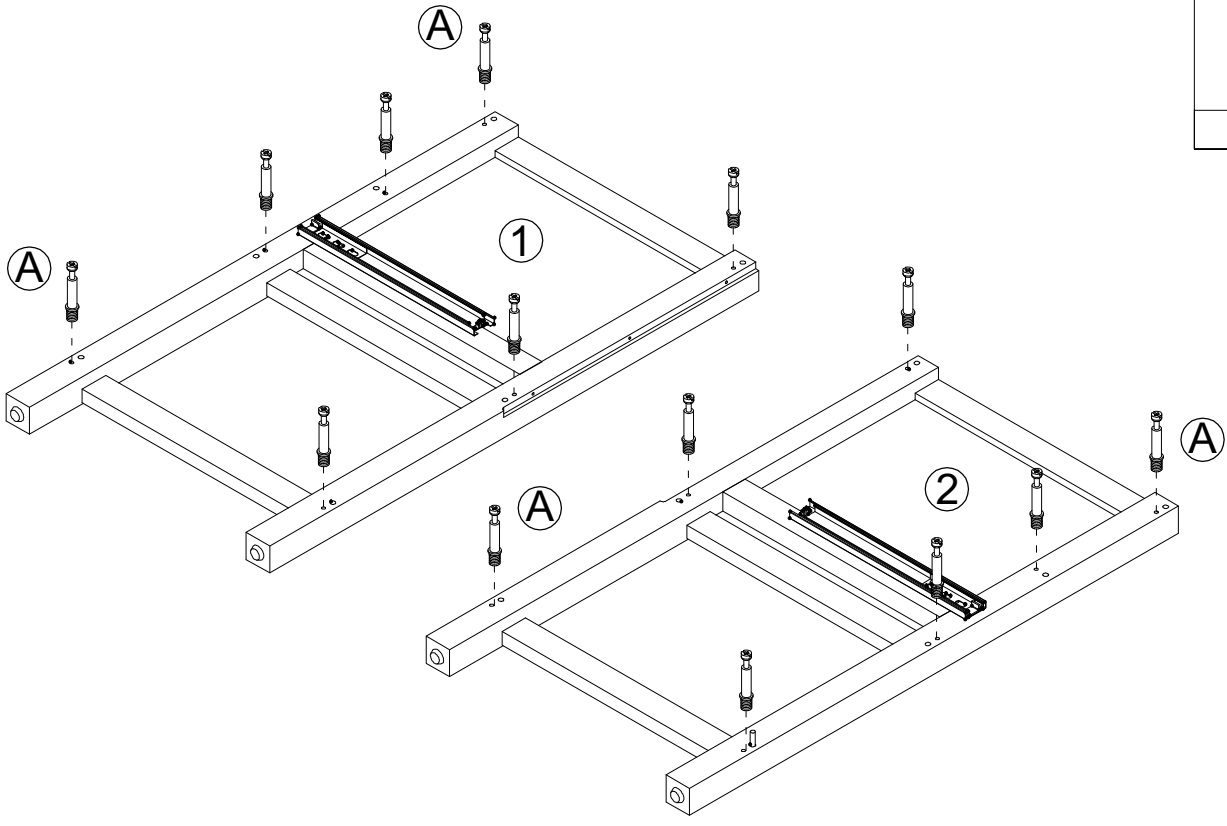
<p><b>A</b></p>  <p>ø6x35mm</p>	<p><b>B</b></p>  <p>ø14.5x9.5mm</p>	<p><b>C</b></p>  <p>ø6x30mm</p>
<p>Three in one bolts - 27pcs</p>	<p>Three in one lock - 27pcs</p>	<p>Wood dowel - 15pcs</p>
<p><b>D</b></p>  <p>Handle 4pcs</p>	<p><b>E</b></p>  <p>ø5/32"x20mm</p> <p>Handle bolt - 8pcs</p>	<p><b>F</b></p>  <p>ø3x12mm</p> <p>Flat head screw - 7pcs</p>
<p><b>G</b></p>  <p>ø3x12mm</p> <p>Round head screw - 7pcs</p>	<p><b>H</b></p>  <p>ø4x20mm</p> <p>Flat head screw - 2pcs</p>	<p><b>I</b></p>  <p>ø4x25mm</p> <p>Flat head screw - 26pcs</p>
<p><b>J</b></p>  <p>ø4x35mm</p> <p>Flat head screw - 2pcs</p>	<p><b>K</b></p>  <p>ø4x50mm</p> <p>Flat head screw - 5pcs</p>	<p><b>L</b></p>  <p>Plastic stopper - 2pcs</p>
<p><b>M</b></p>  <p>ø1/4"x16x1mm</p> <p>Washer - 4pcs</p>	<p><b>N</b></p>  <p>Tipover Restraints - 2pcs</p>	

# STEP 1

A

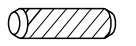


14pcs

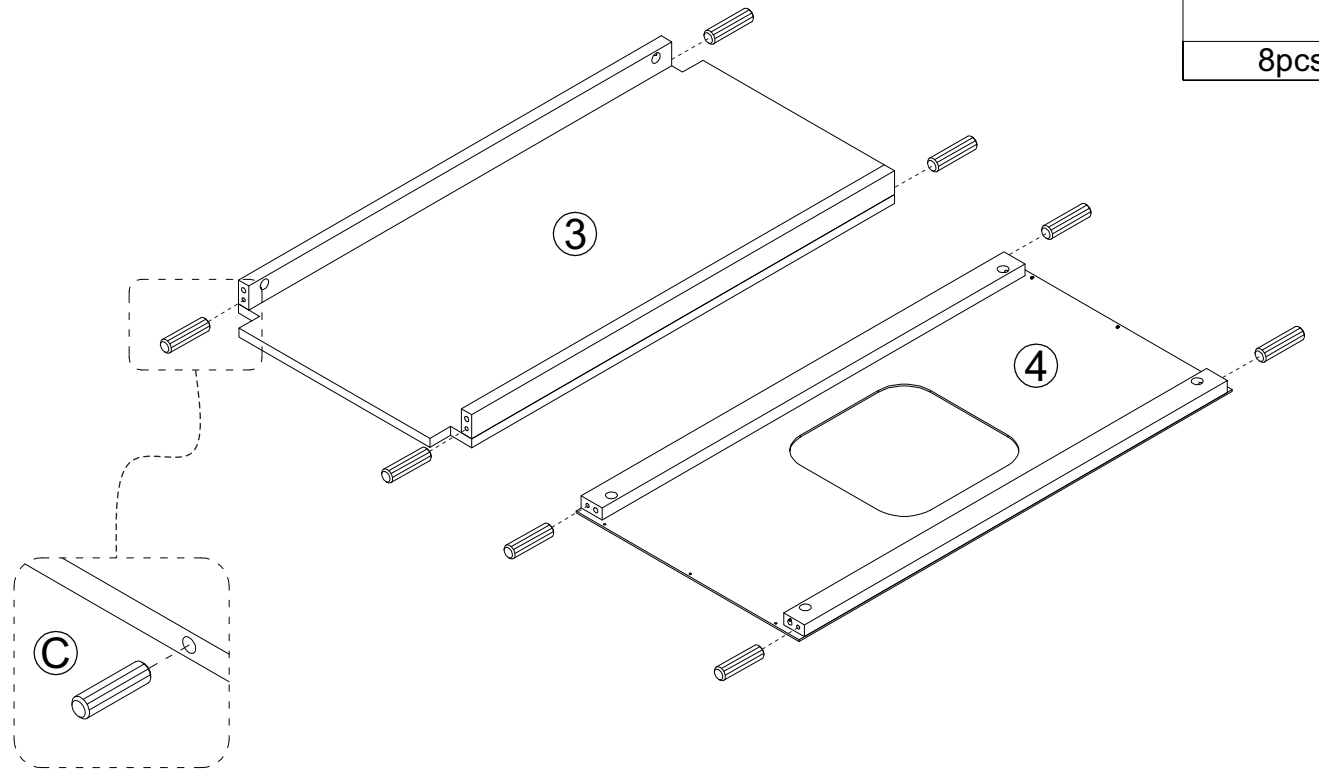


# STEP 2

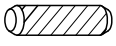
C

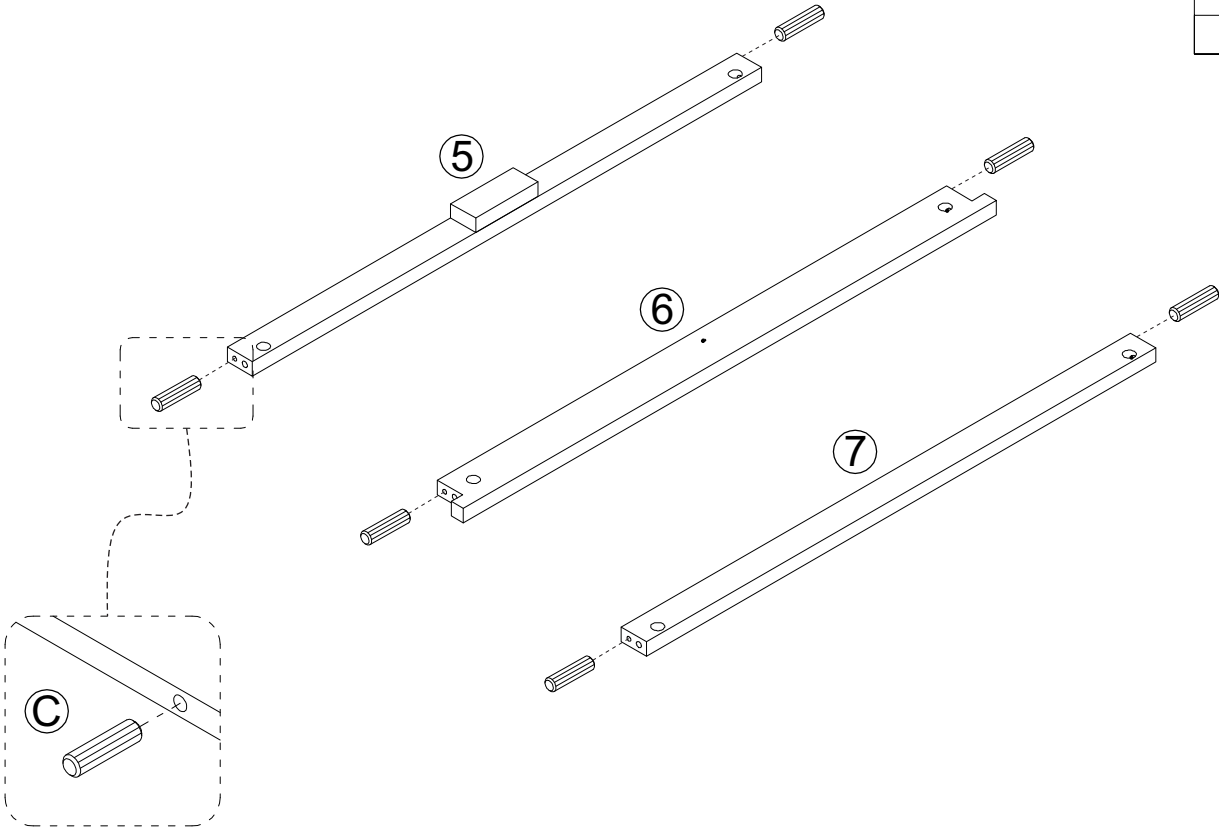


8pcs

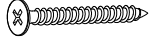


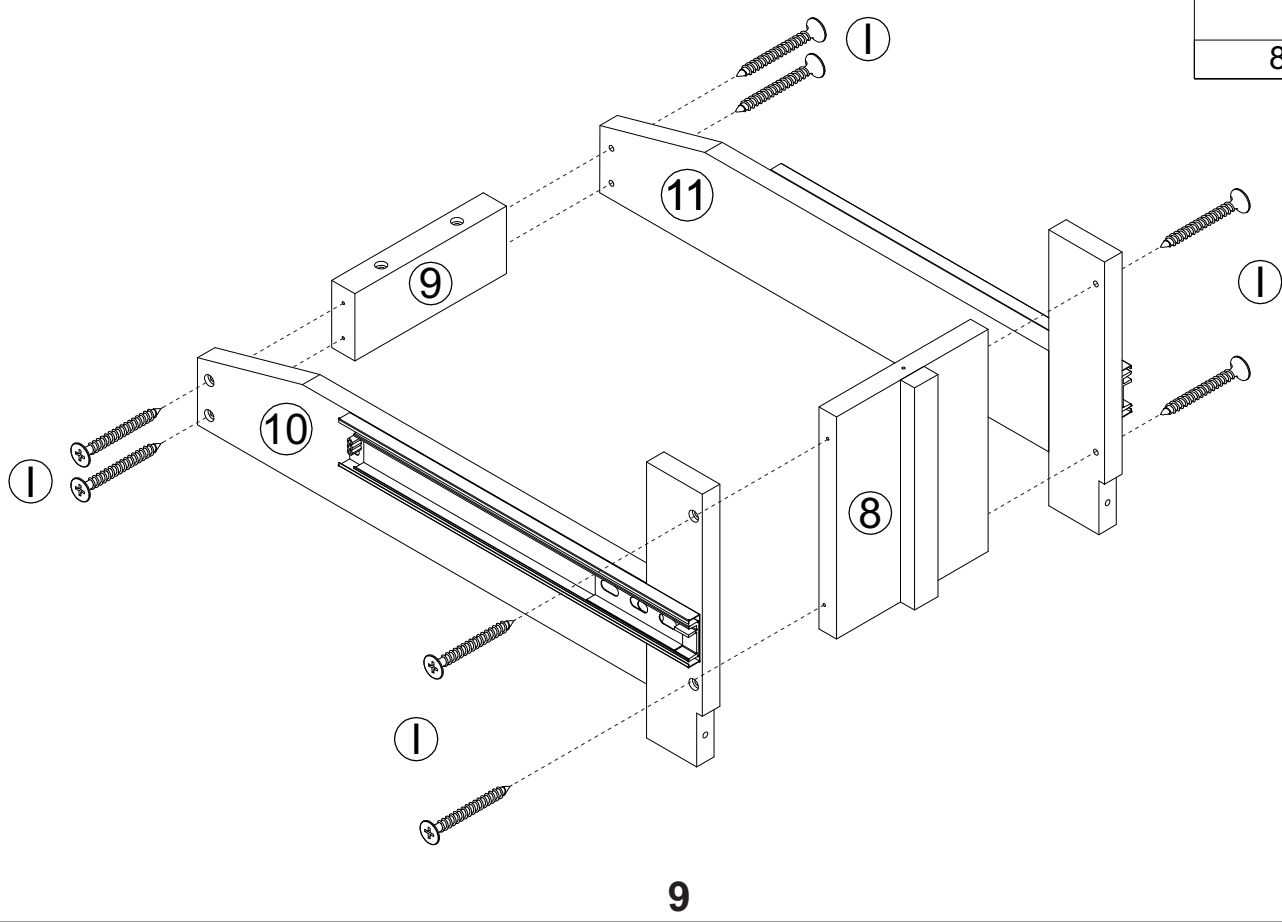
# STEP 3

C

6pcs

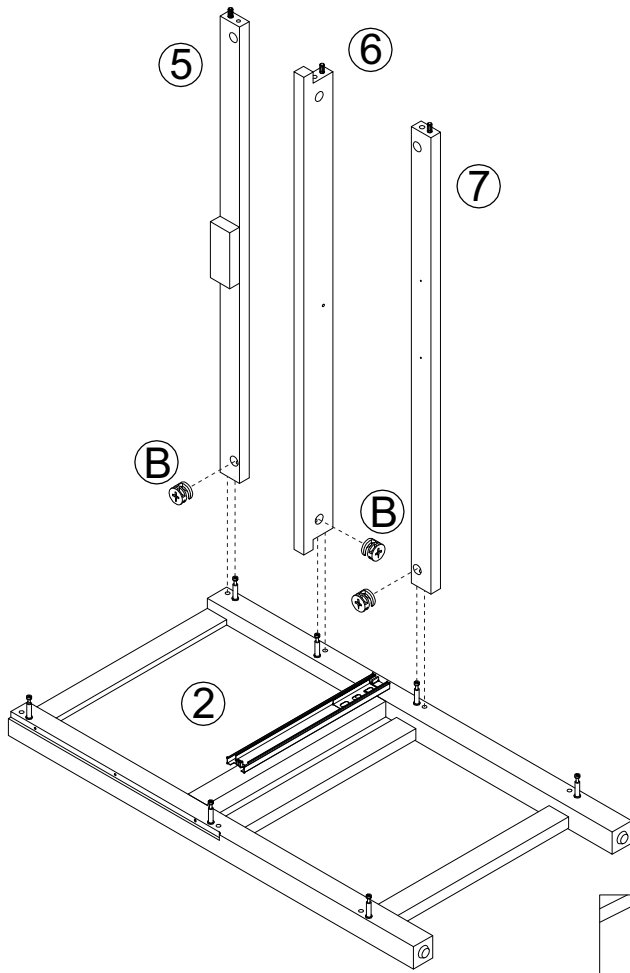


# STEP 4

I

8pcs



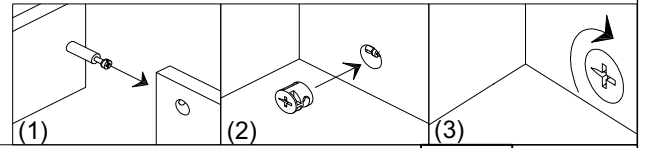
# STEP 5



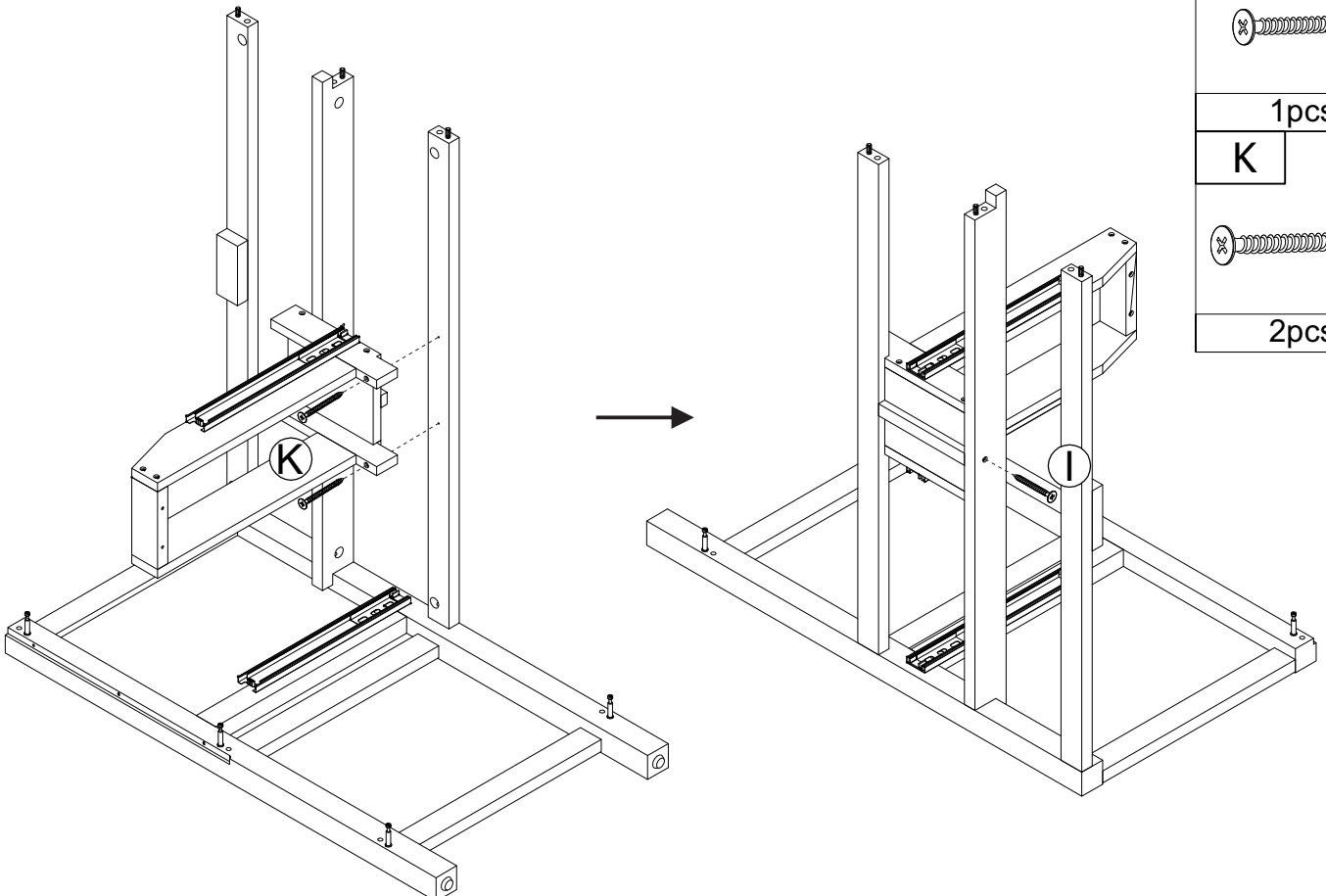
B



3pcs



# STEP 6

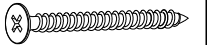


I



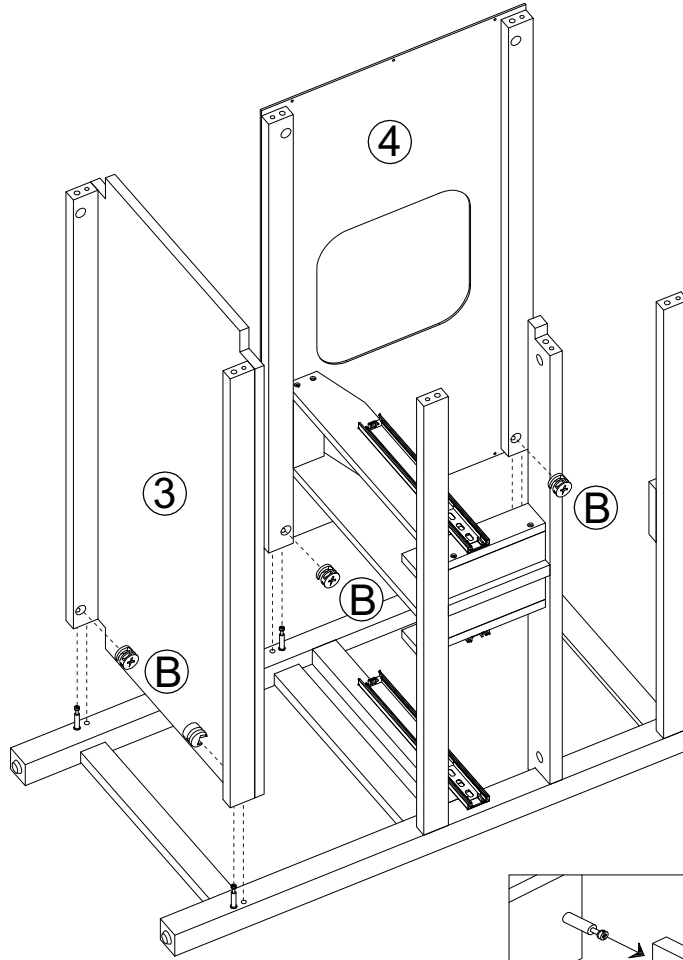
1pcs

K



2pcs

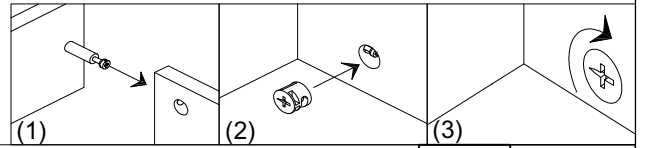
# STEP 7



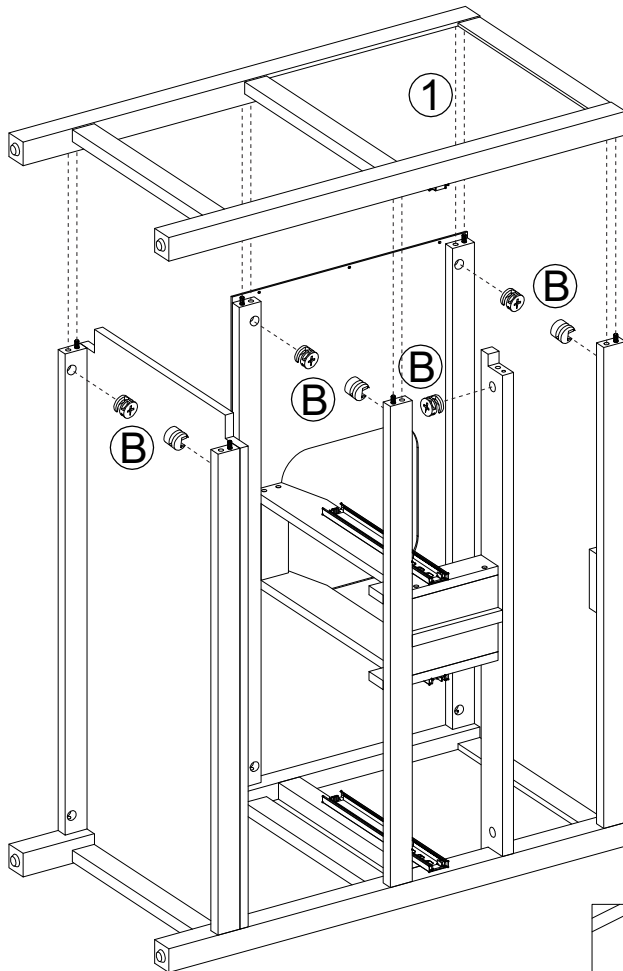
B



4pcs



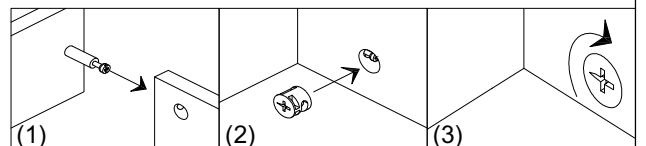
# STEP 8



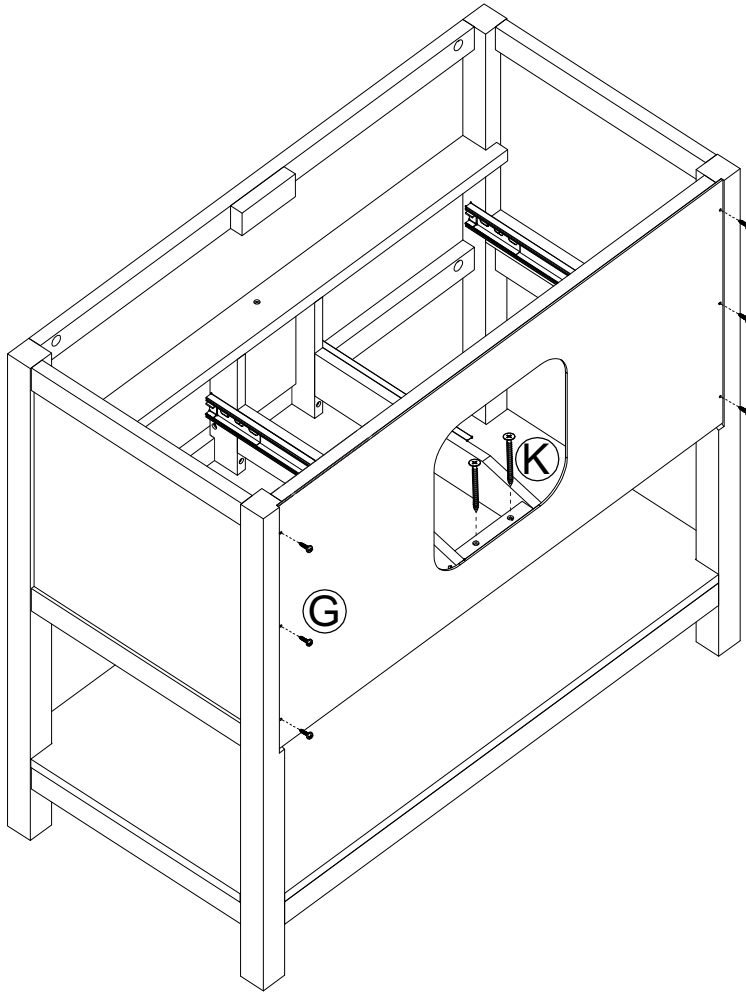
B



7pcs



# STEP 9

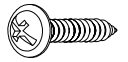


K



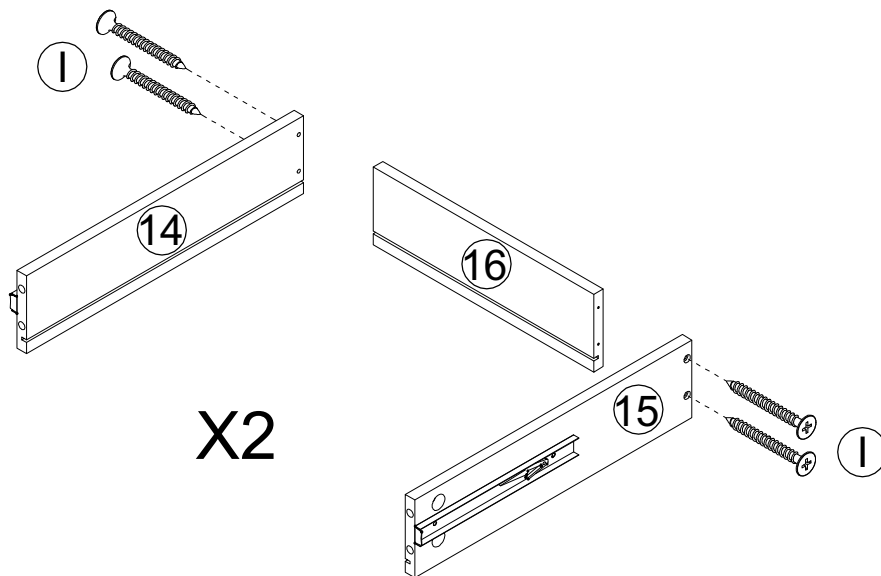
2pcs

G



6pcs

# STEP 10

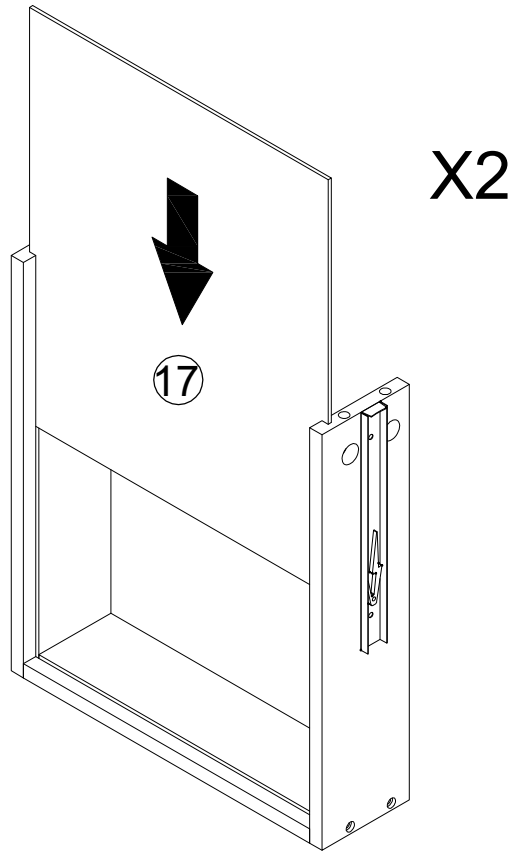


I

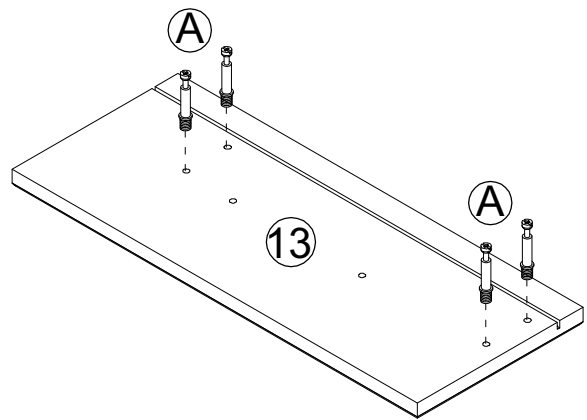
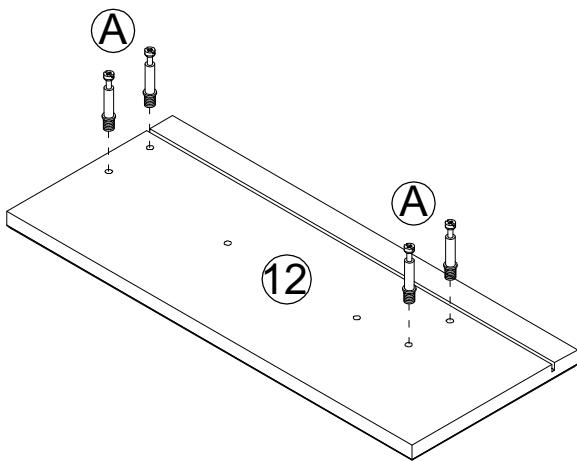
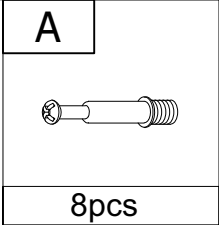


8pcs

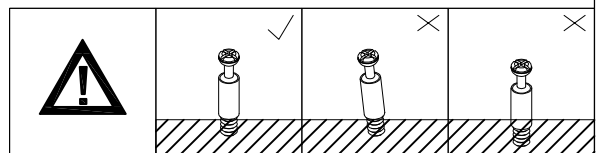
# STEP 11



# STEP 12



13

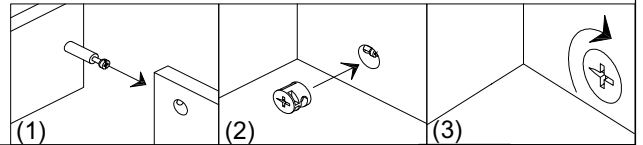
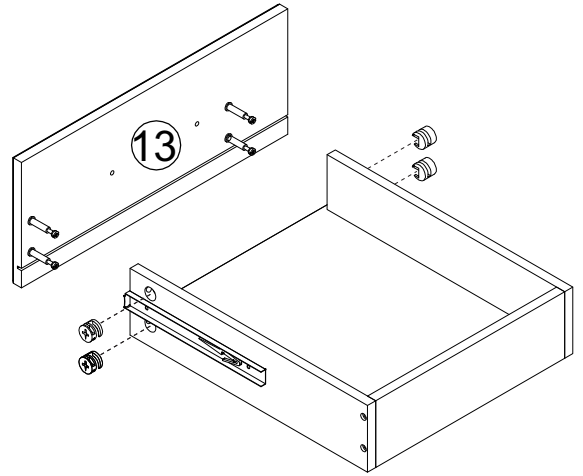
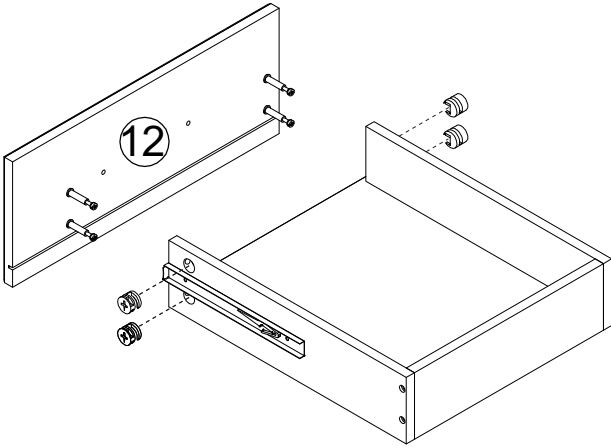


# STEP 13

B

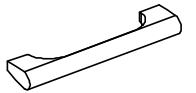


8pcs



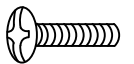
# STEP 14

D

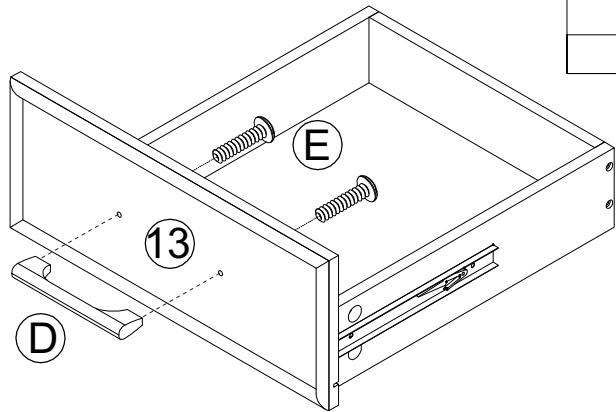
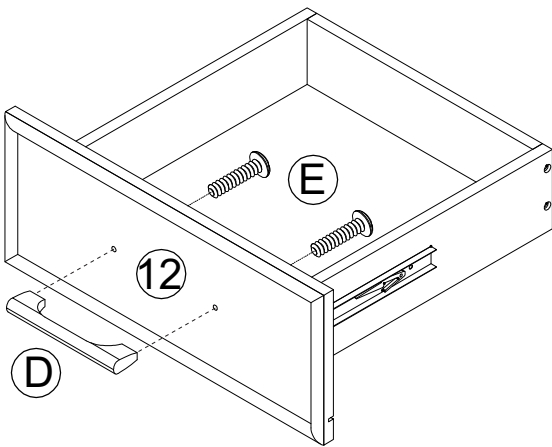


2pcs

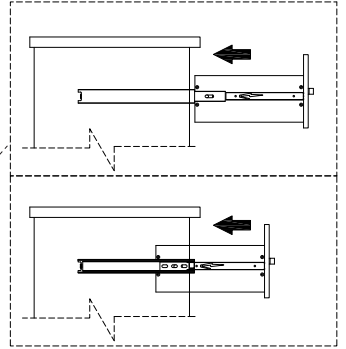
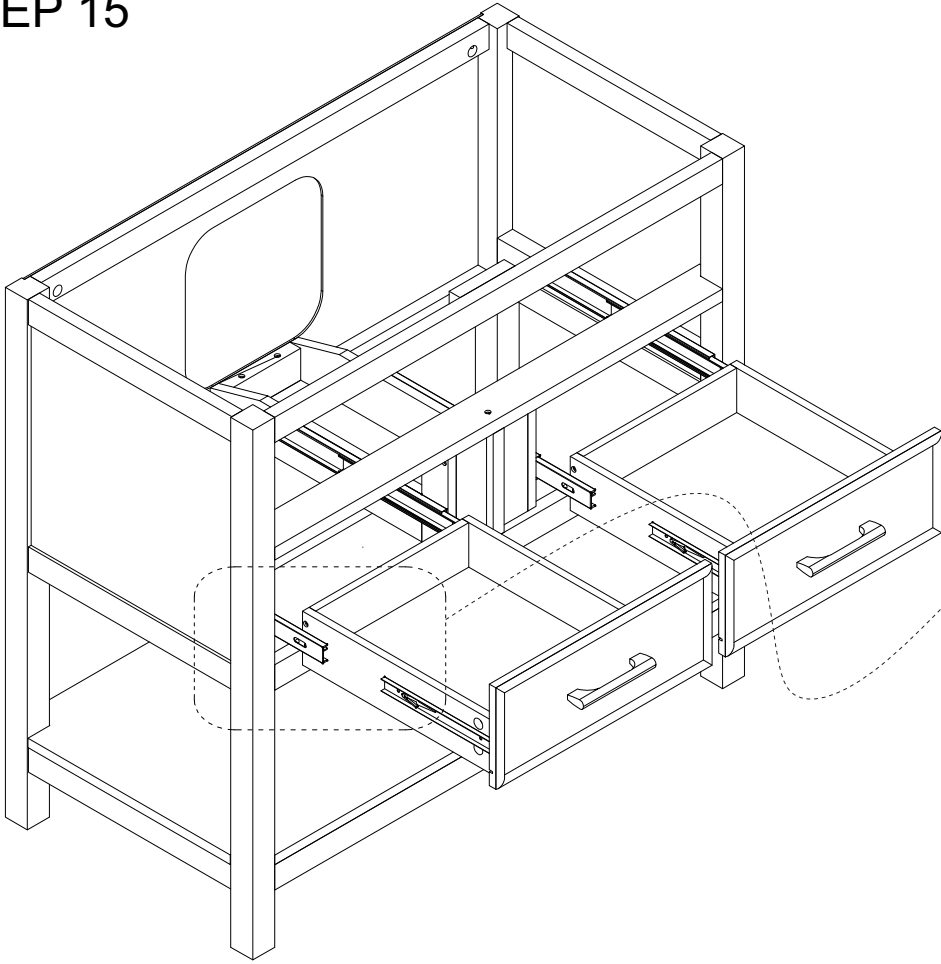
E




4pcs

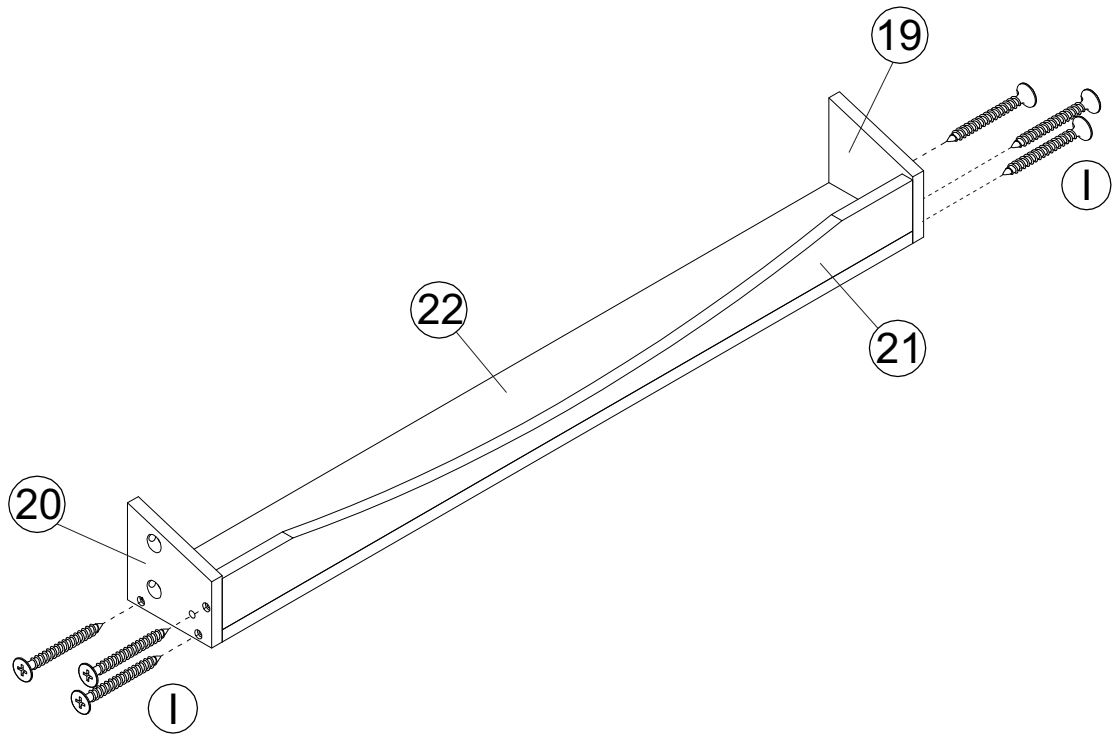


# STEP 15



# STEP 16

I

6pcs

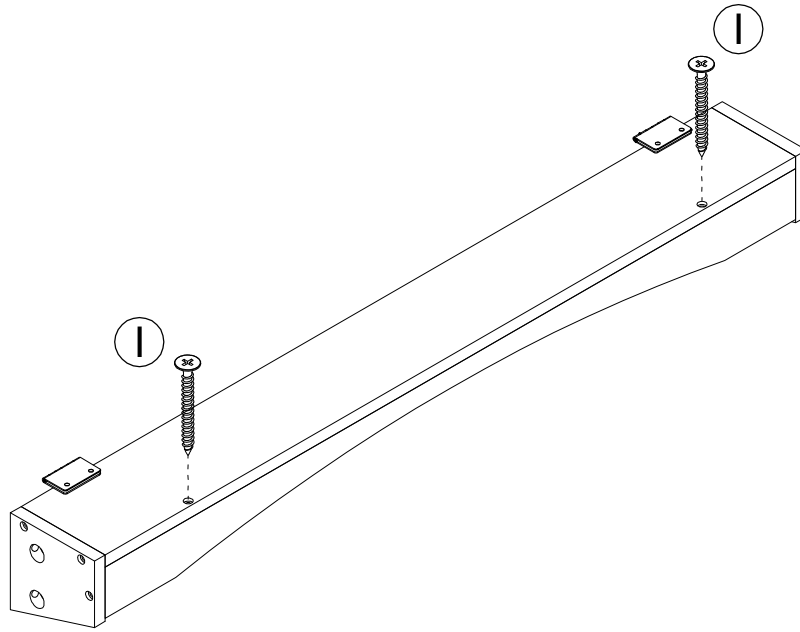


# STEP 17

I

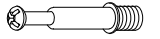


2pcs

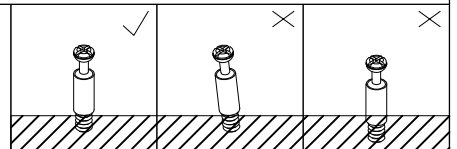
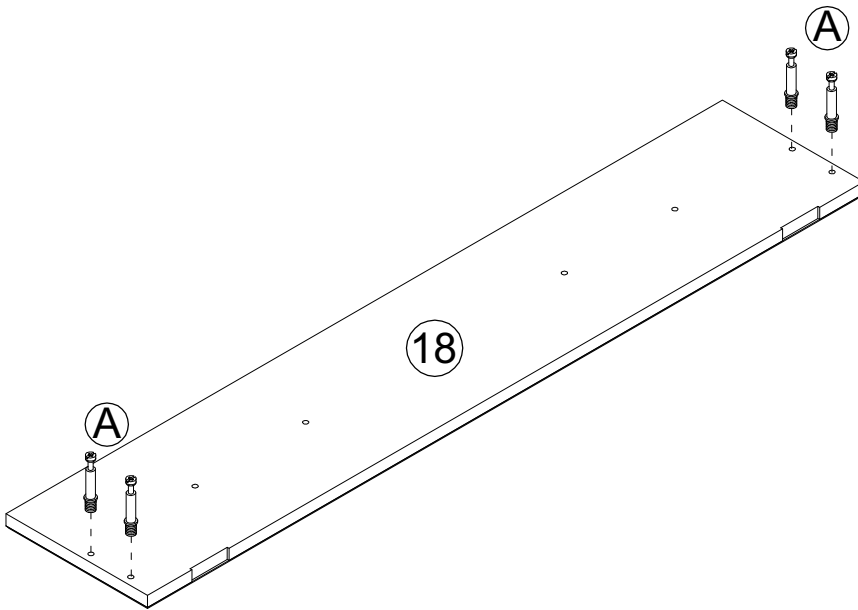


# STEP 18

A



4pcs

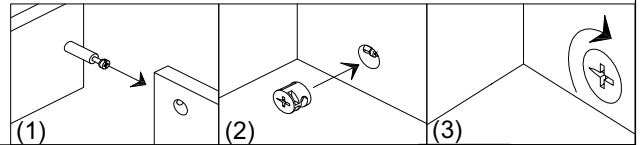
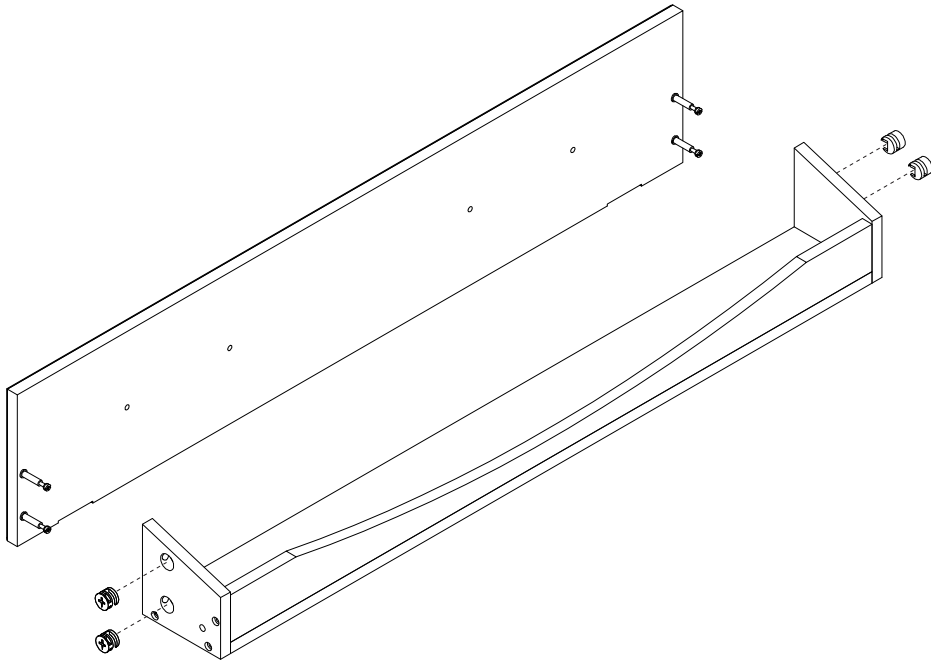


# STEP 19

B

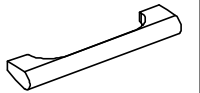


8pcs



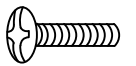
# STEP 20

D

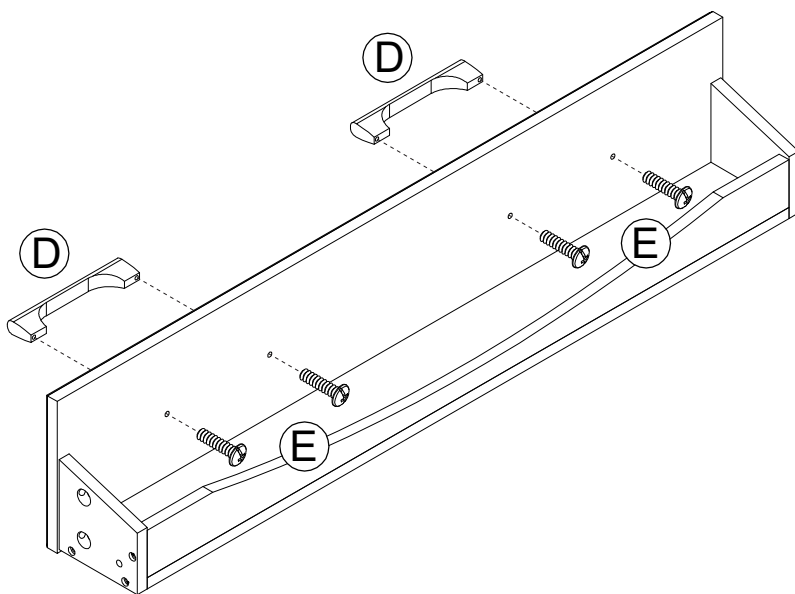


2pcs

E

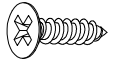


4pcs

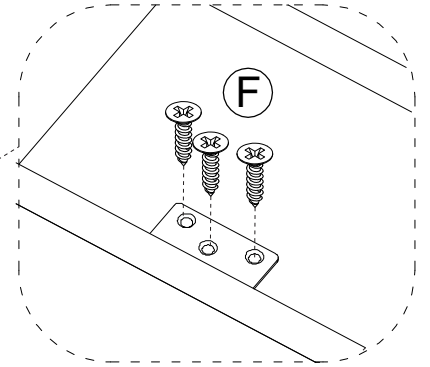
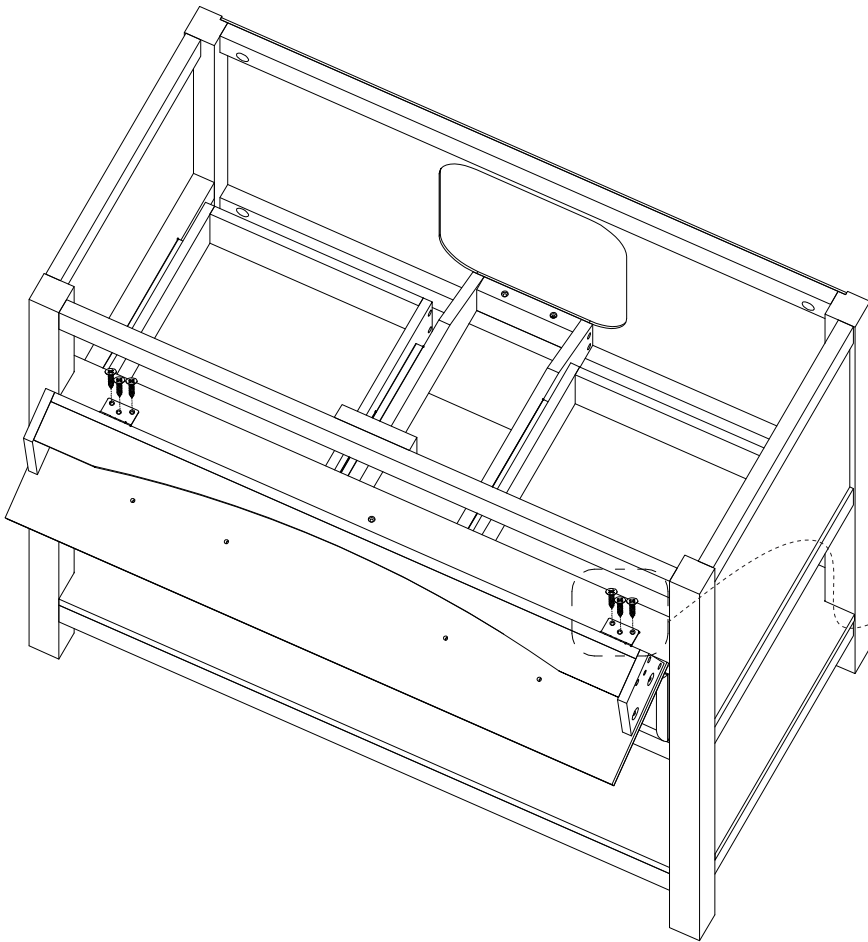


# STEP 21

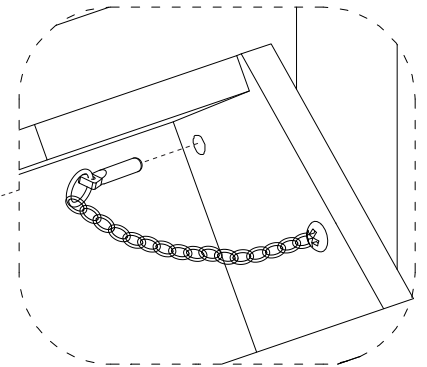
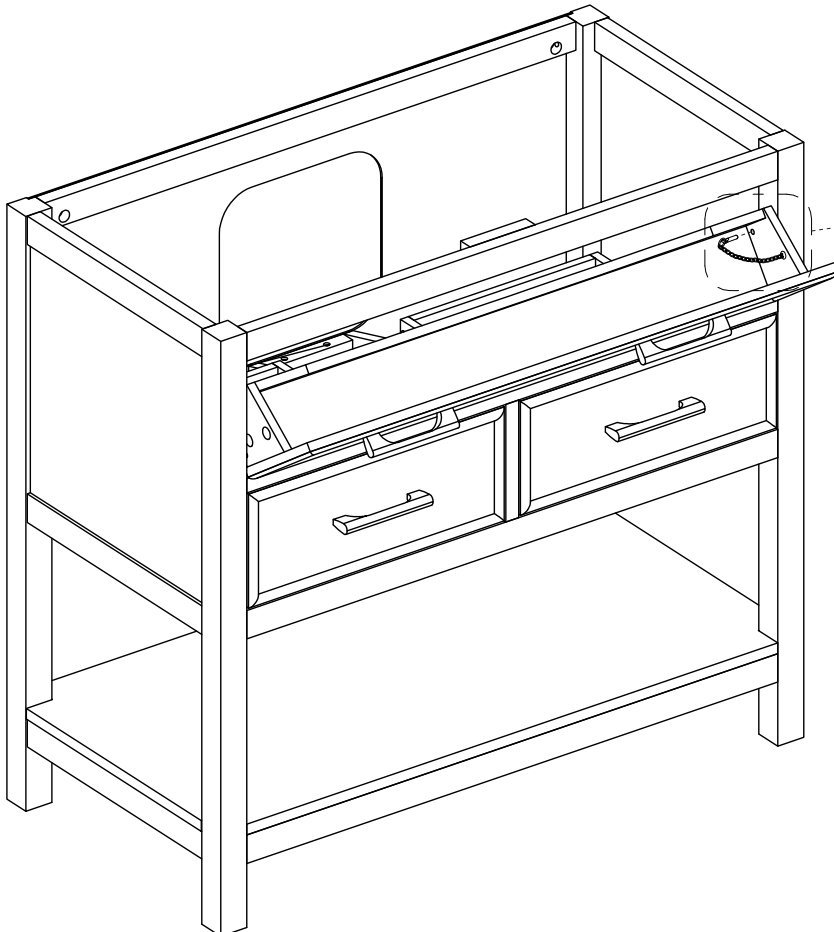
F



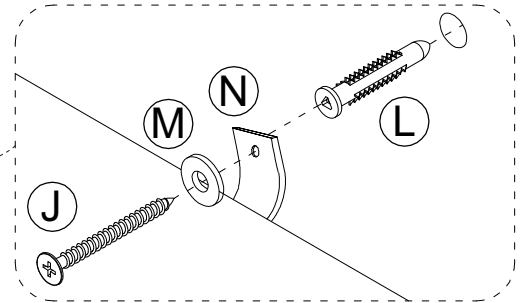
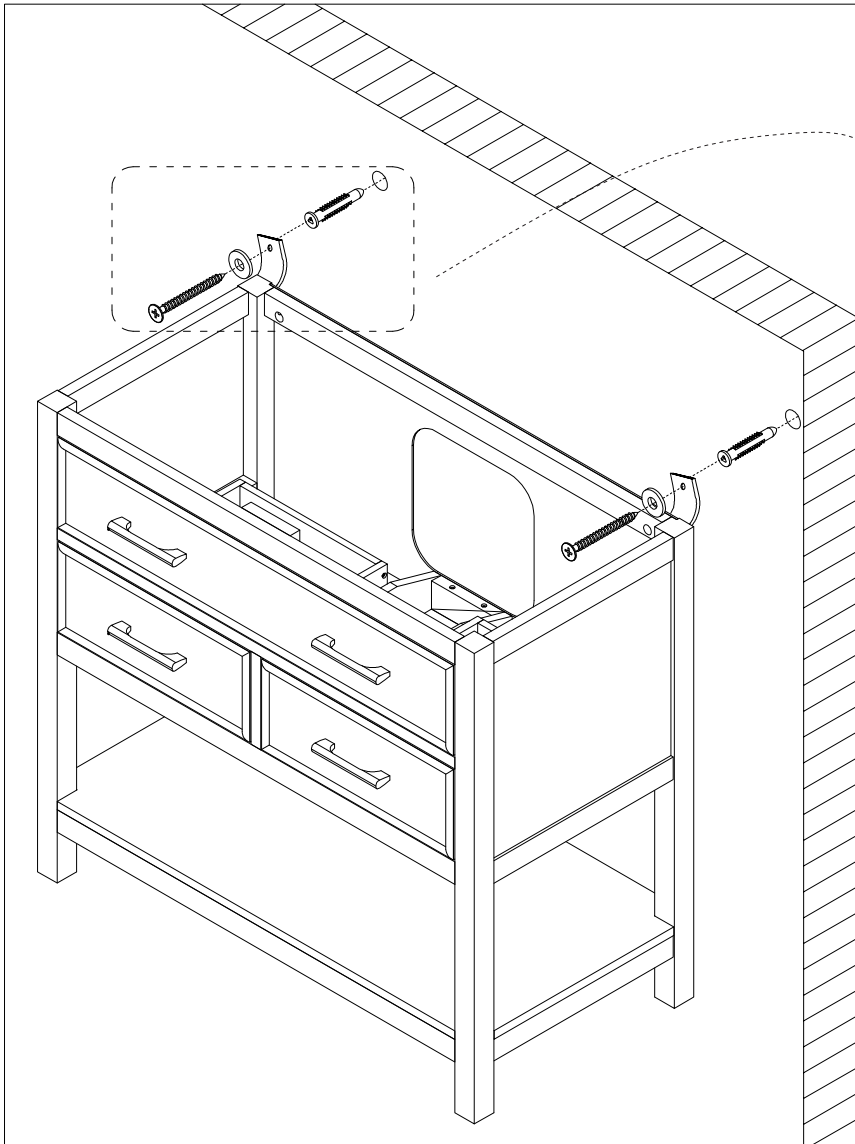
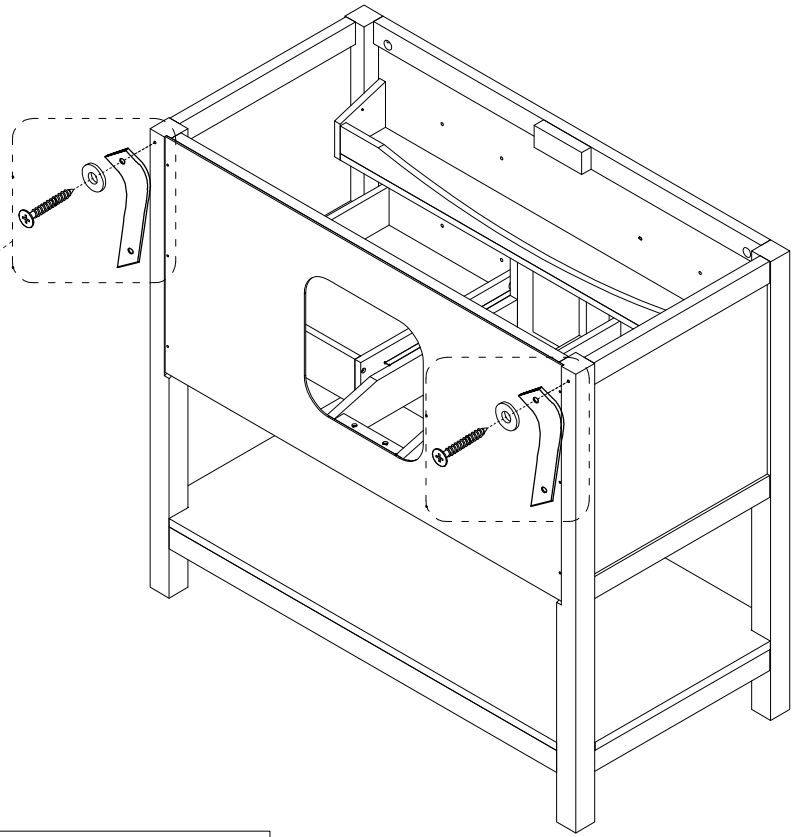
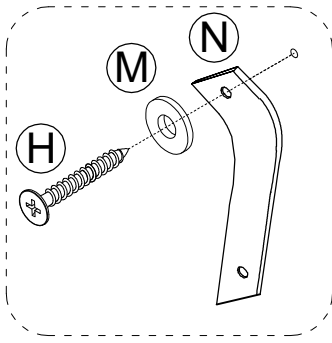
6pcs

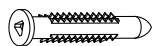






# STEP 22



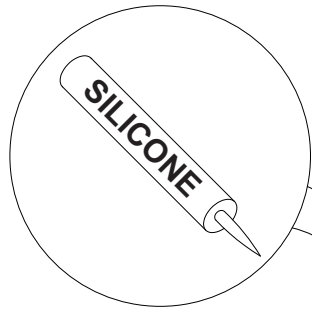
# STEP 23



	<b>L</b>		
			2pcs
<b>H</b>	<b>M</b>		
		2pcs	4pcs
<b>J</b>	<b>N</b>		
		2pcs	2pcs

## STEP 24

Install the sink on the cabinet with glue.  
Let stand for 24 hours.



\* Silicone glue is not included in the package to comply with safe regulations in certain shipping conditions.

