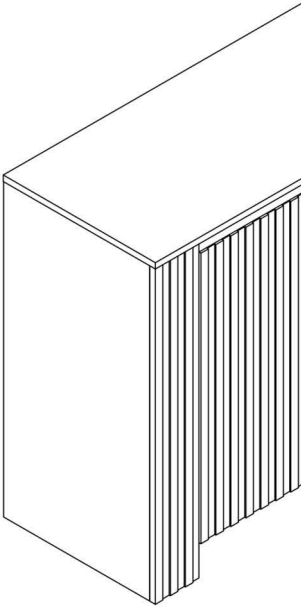


Owner Manual



WARRANTY

We strive to offer high quality product and we also try our best to satisfy each customer that order from us, no matter on products or services as needed. Each customer receives a record of their order, such as the order number or item receipt. For any items that are out of warranty period, you may still be able to purchase the replacement parts from our company if they are available.



MAINTENANCE AND WARNING

Please read the manual thoroughly before you start installing.

Please keep the product away from sharp object.

Packaging and small parts may have choking hazard, please keep them away from children and pets.

Please clean the product according to each clean code, check the product description for more information.

Please keep the product away from fire.

If you have any other questions, please contact us, we will be glad to help you out.

If the product is placed under direct sunlight, the pattern or color might fade away overtime.

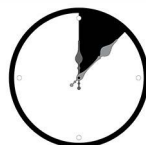
Check the product periodically to make sure everything is secured and tightened.

Always use proper tools for installation.

Do not jump on the product.



Two people



Around 100 min

PRODUCT DESCRIPTION

Solid Wood Construction:

Expertly crafted entirely from natural solid wood, including the cabinet body and thick support legs, ensuring exceptional structural integrity, long-term durability, environmental reliability, and dependable stability for everyday residential use.

Multiple Independent Storage Zones:

Behind four double doors, clearly partitioned compartments provide generous, organized capacity for books, media equipment, and household essentials, effectively concealing clutter.

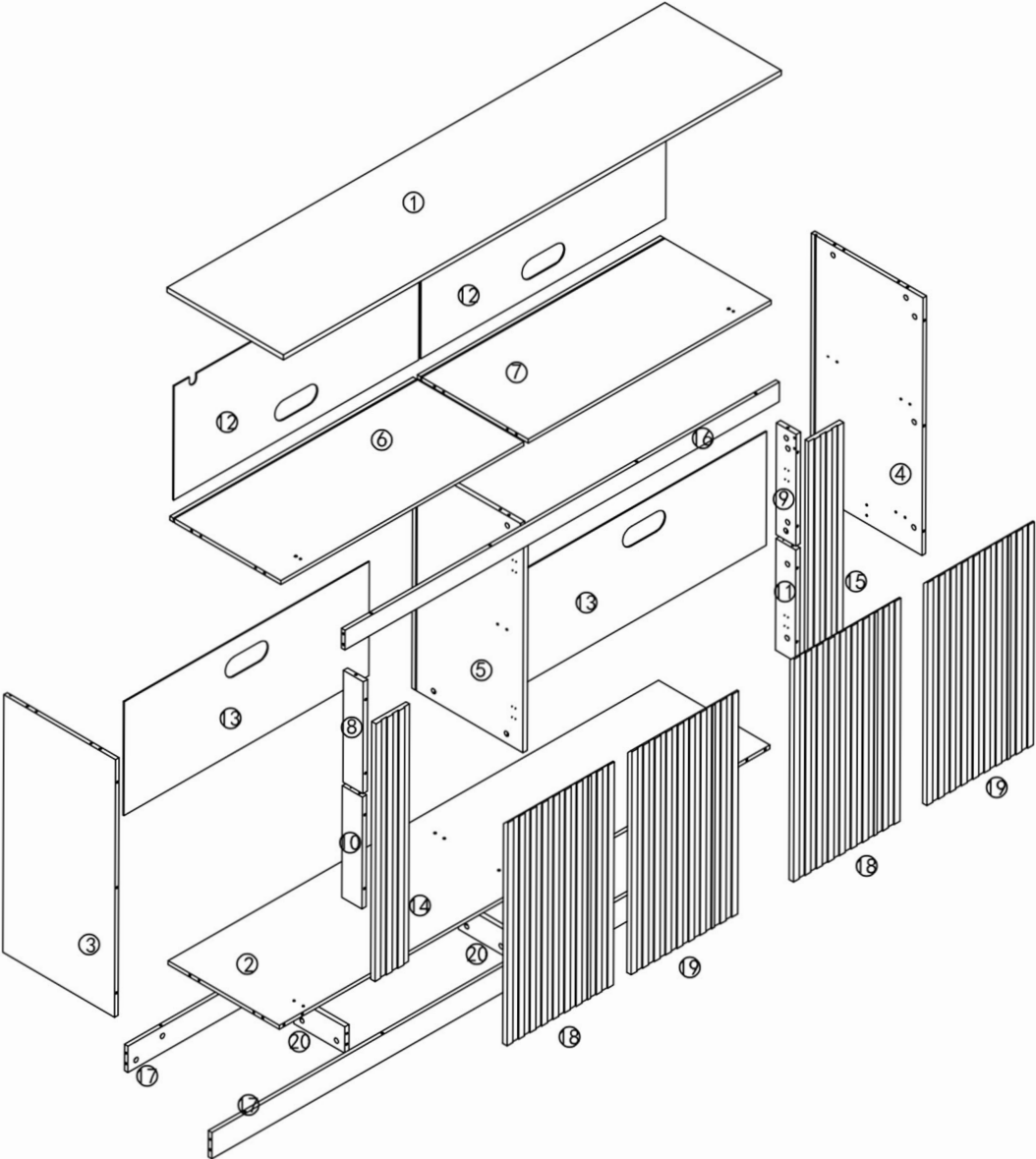
Floor Protection & Stability:

Anti-slip, wear-resistant foot pads enhance grip, prevent movement, and protect flooring surfaces, making this piece a functional storage hub and a commanding visual anchor.

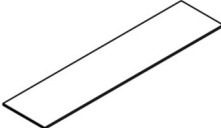
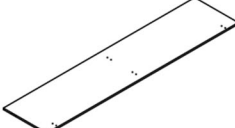
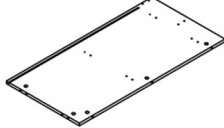
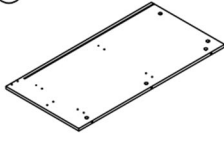
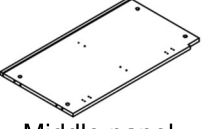

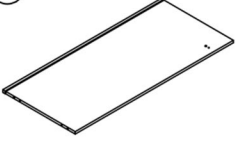
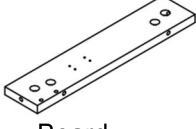
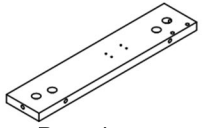
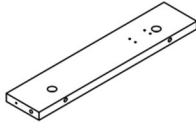
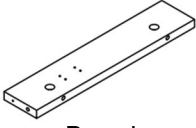
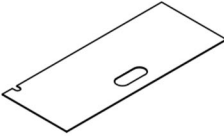
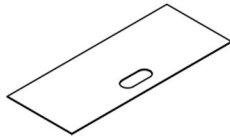
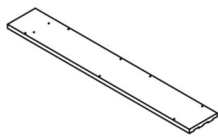
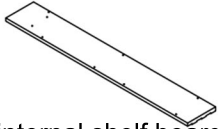
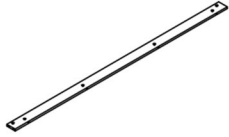
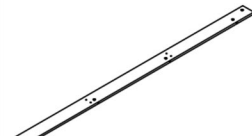
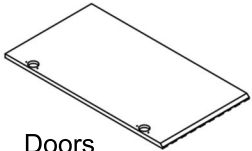
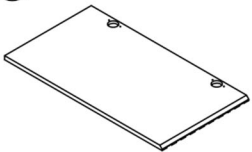
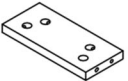
Architectural Symmetry: The strictly balanced four-door configuration delivers visual order and spatial harmony, while the clean rectangular silhouette and vertical slatted detailing introduce refined texture and modern minimalist presence.

Wide, Reinforced Top Surface: A sturdy tabletop safely supports your television while doubling as a display platform for décor, greenery, or statement accessories.

EXPLODED VIEW










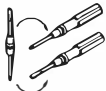
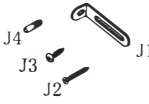
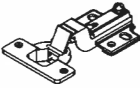
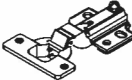


PARTS

<p>① x1</p>  <p>Top panel</p>	<p>② x1</p>  <p>Bottom panel</p>	<p>③ x1</p>  <p>Side panel</p>	<p>④ x1</p>  <p>Side panel</p>
<p>⑤ x1</p>  <p>Middle panel</p>	<p>⑥ x1</p>  <p>Board</p>	<p>⑦ x1</p>  <p>Board</p>	<p>⑧ x1</p>  <p>Board</p>
<p>⑨ x1</p>  <p>Board</p>	<p>⑩ x1</p>  <p>Board</p>	<p>⑪ x1</p>  <p>Board</p>	<p>⑫ x2</p>  <p>Upper back panels</p>
<p>⑬ x2</p>  <p>Upper back panels</p>	<p>⑭ x1</p>  <p>internal shelf boards</p>	<p>⑮ x1</p>  <p>internal shelf boards</p>	<p>⑯ x1</p>  <p>Rail</p>
<p>⑰ x2</p>  <p>Rail</p>	<p>⑱ x2</p>  <p>Doors</p>	<p>⑲ x2</p>  <p>Doors</p>	<p>⑳ x2</p>  <p>Small blocks</p>

HARDWARE

TOOL LIST

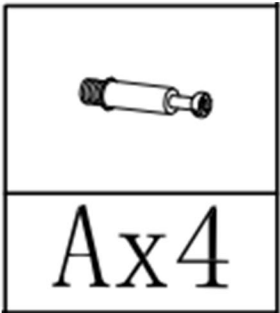
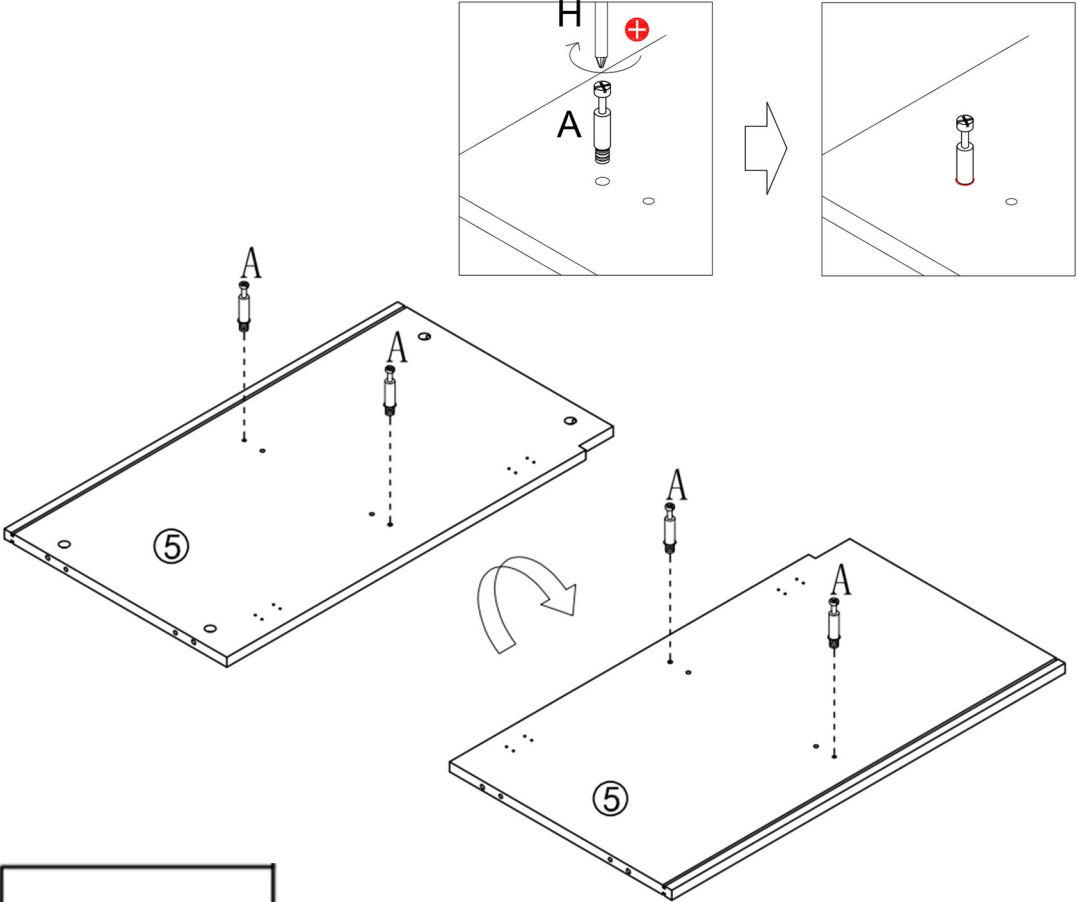
NOTE: Designated with (★) We provide additional spare parts in the hardware package

A x 68  Cam bolts	B x 68  Cam locks	C x 28  Wooden dowel Ø6*30mm	D x 6  Screws M3.5*35mm
E x 48  Screws M3.5X12mm	F x 24  Screws M3X16mm	G x 24  Back panel clips	H x 1  Screwdriver
J x 2  Anti-tip brackets	L x 4  Hings	M x 4  Hings	N x 1  Allen key
P x 4  Plastic covers			

Please make sure all hardware & packing material fitting the list. Especially some small accessories may be missing during transportation. Please contact us if you have any question.

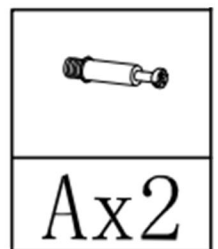
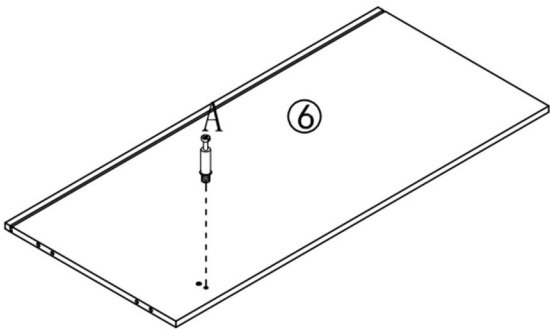
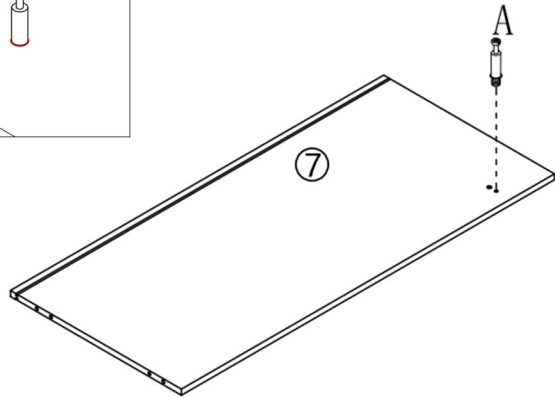
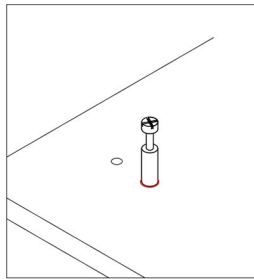
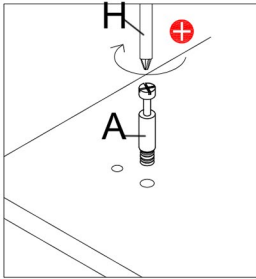
step 1 ---Center Board Prep

Screw 4 cam bolts (A) into board (5).



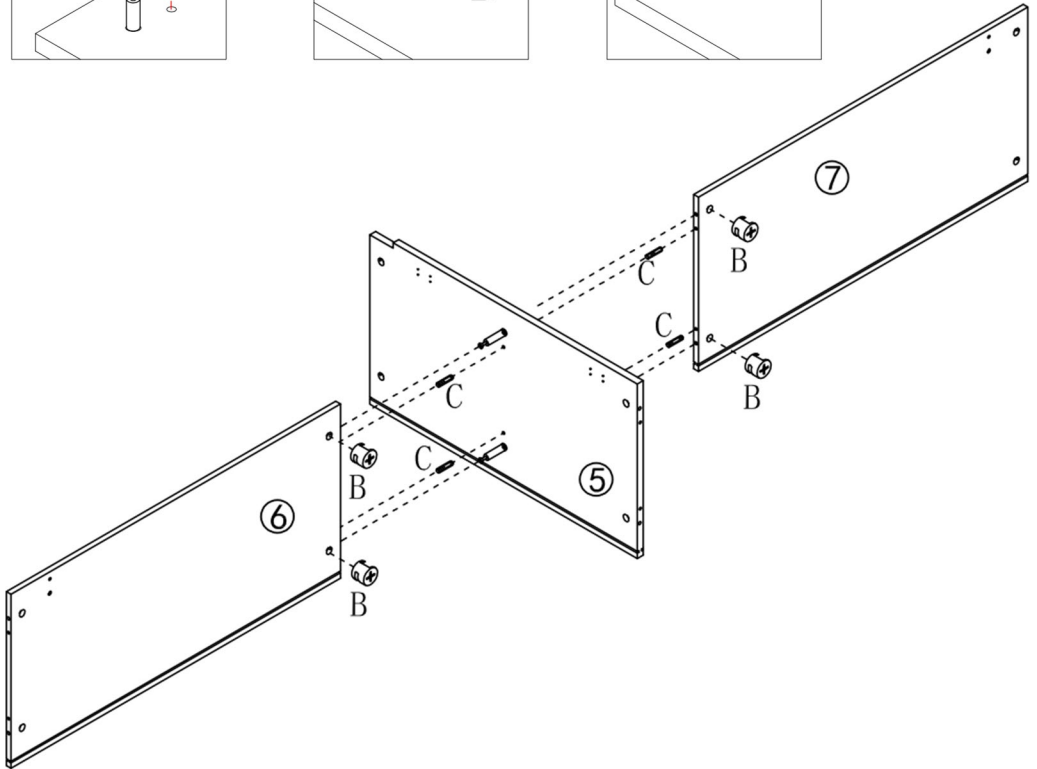
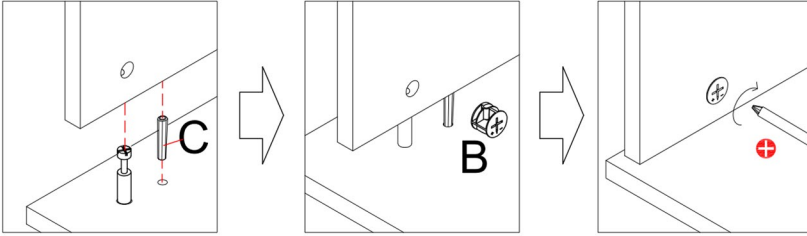
step 2 ---Inner Panel Prep

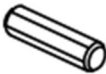

Screw cam bolts (A) into boards (6) and (7).



step 3 ---Assemble Inner Structure

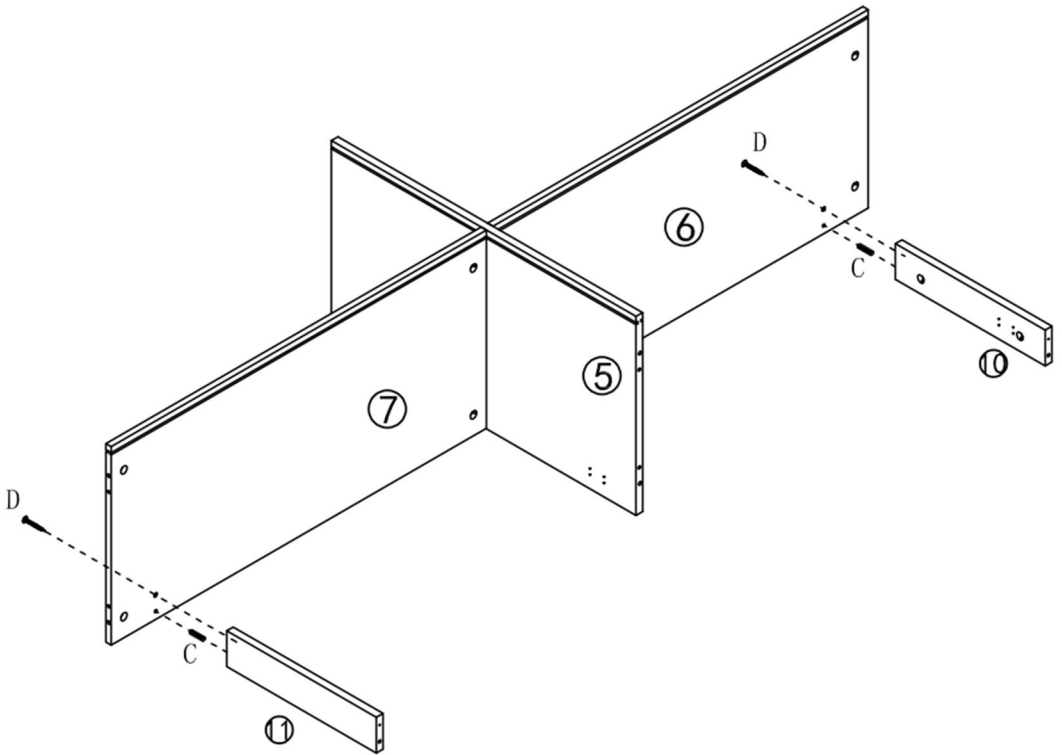
Connect boards (6) and (7) to both sides of board (5) using wood dowels (C) and cam locks (B).

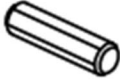



	
Cx4	Bx4

step 4 ---Attach Support Rails

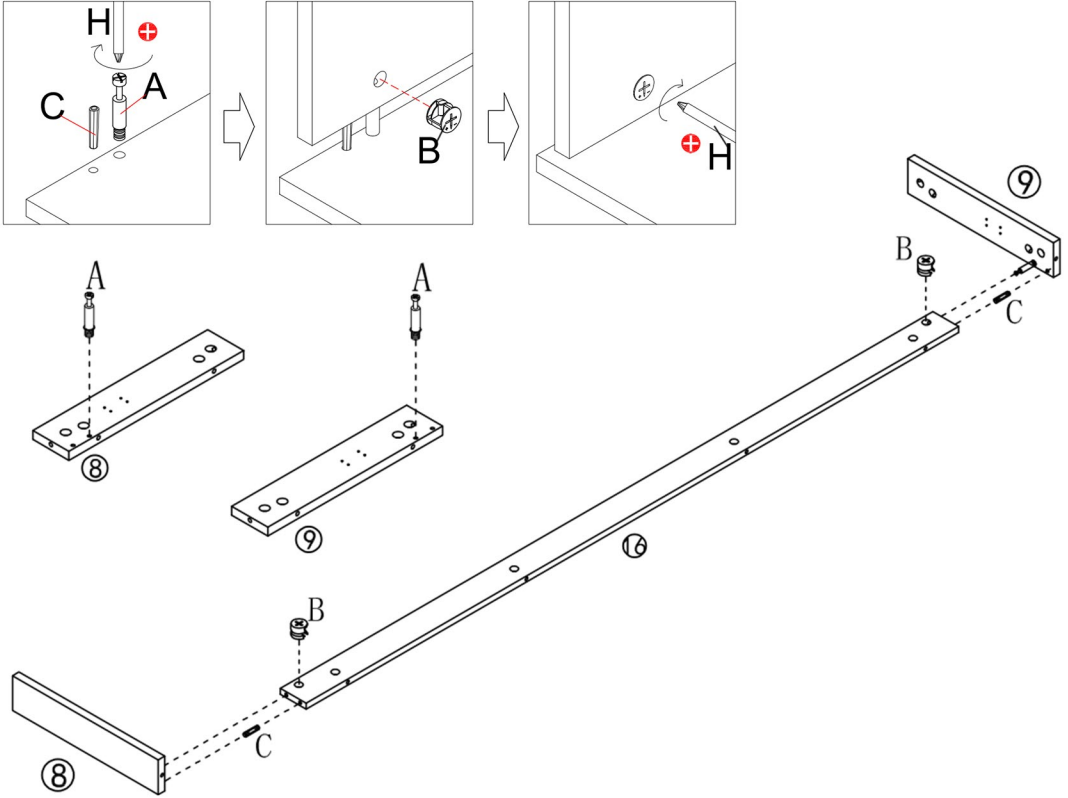
Secure the support rails (11) to boards (6) and (7) using wood dowels (C) and screws (D).



	
Cx2	Dx2

step 5 ---Rail Frame Assembly

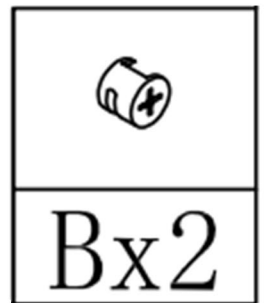
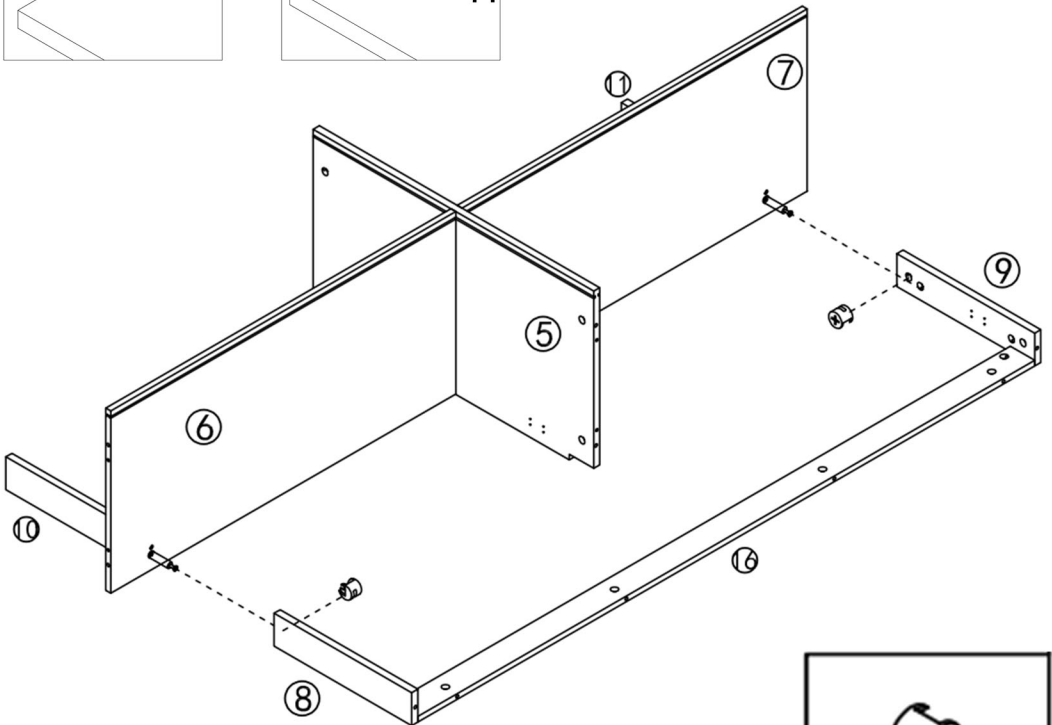
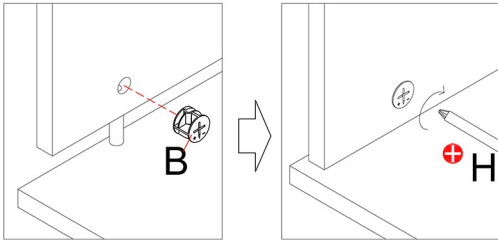
Prepare boards (8) and (9). Connect them to rail (16) using cam bolts (A), wood dowels (C), and cam locks (B).



Ax2	Cx2	Bx2

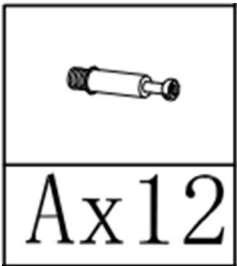
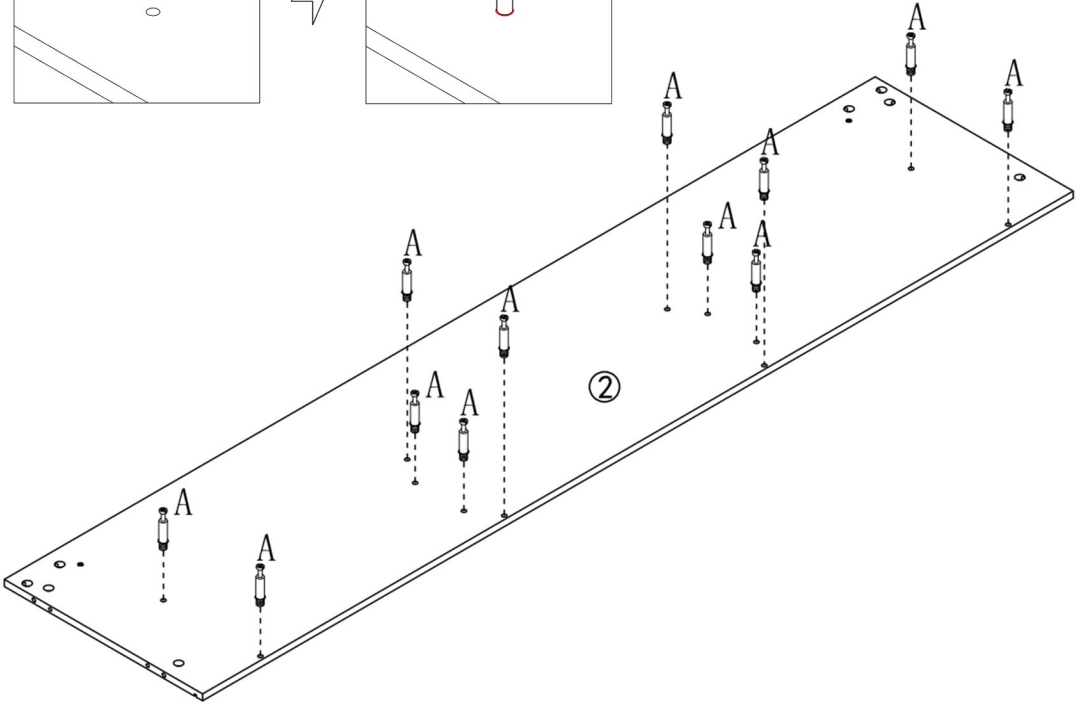
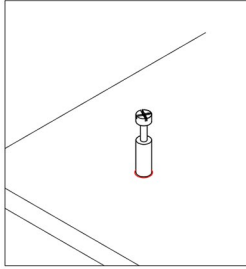
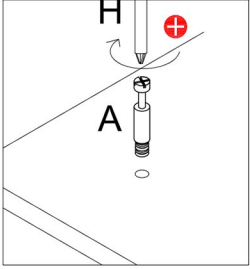
step 6 ---Connect Inner Frames

Attach the frame from Step 5 to the center structure using cam locks (B).



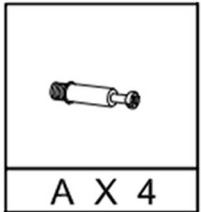
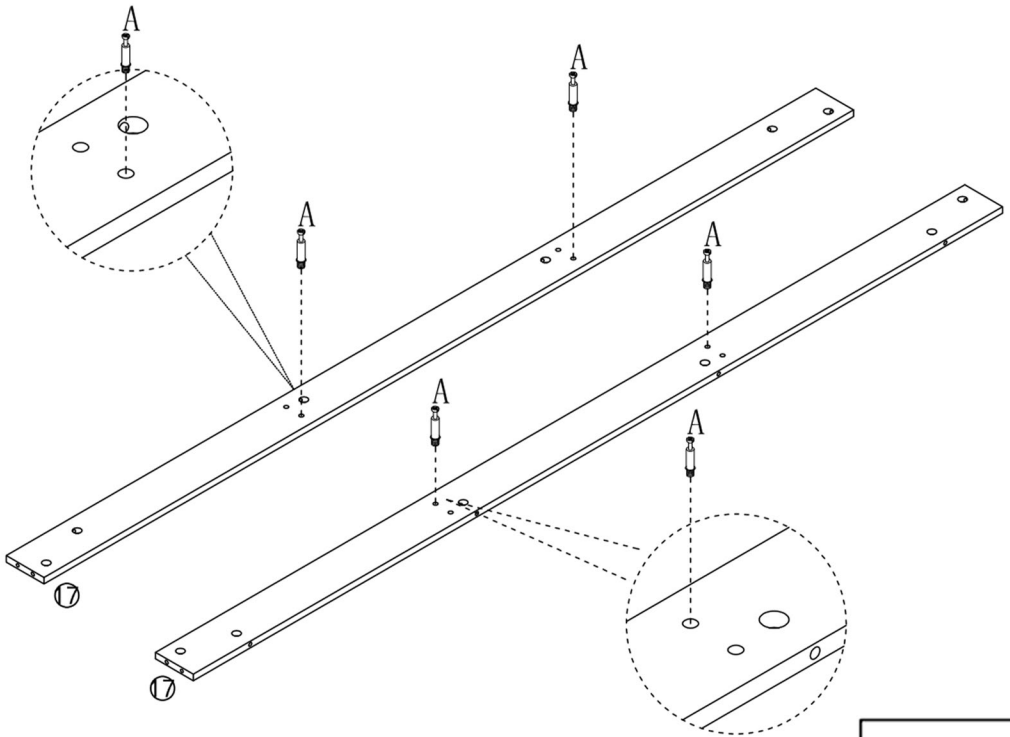
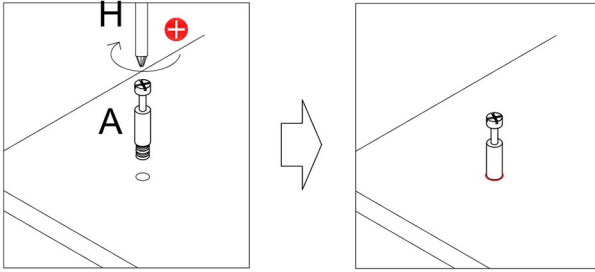
step 7 ---Base Board Prep

Screw 12 cam bolts (A) into the large base board (2).



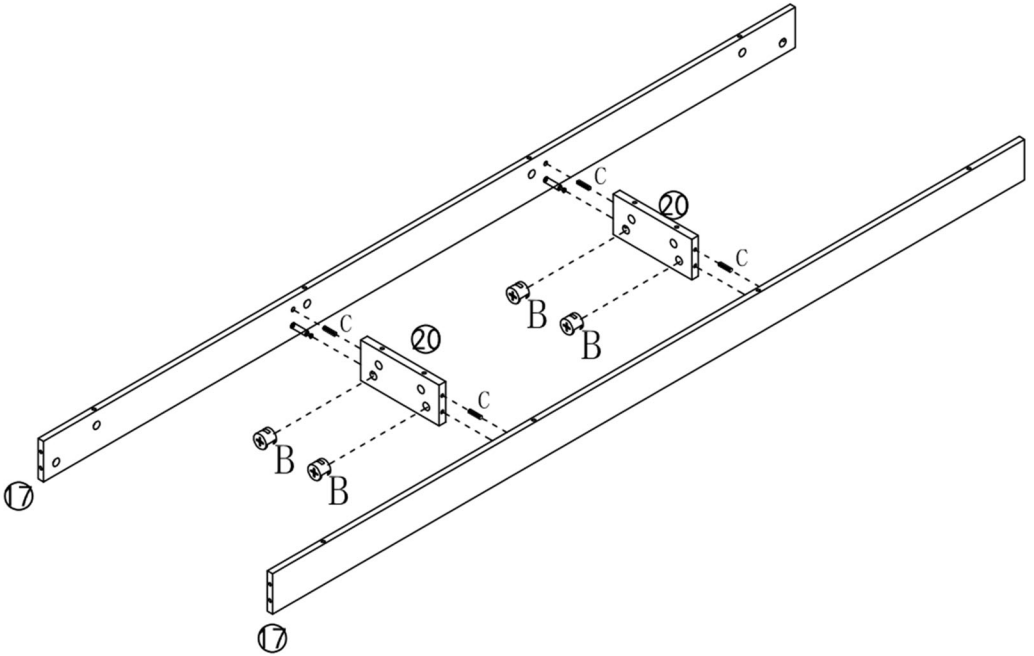
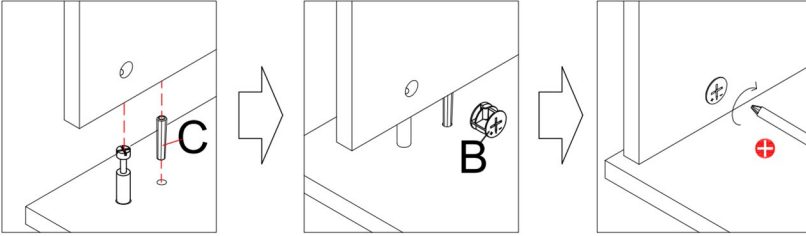
step 8 ---Bottom Rail Prep



Screw cam bolts (A) into the two bottom rails (17).



step 9 ---Assemble Base Rails

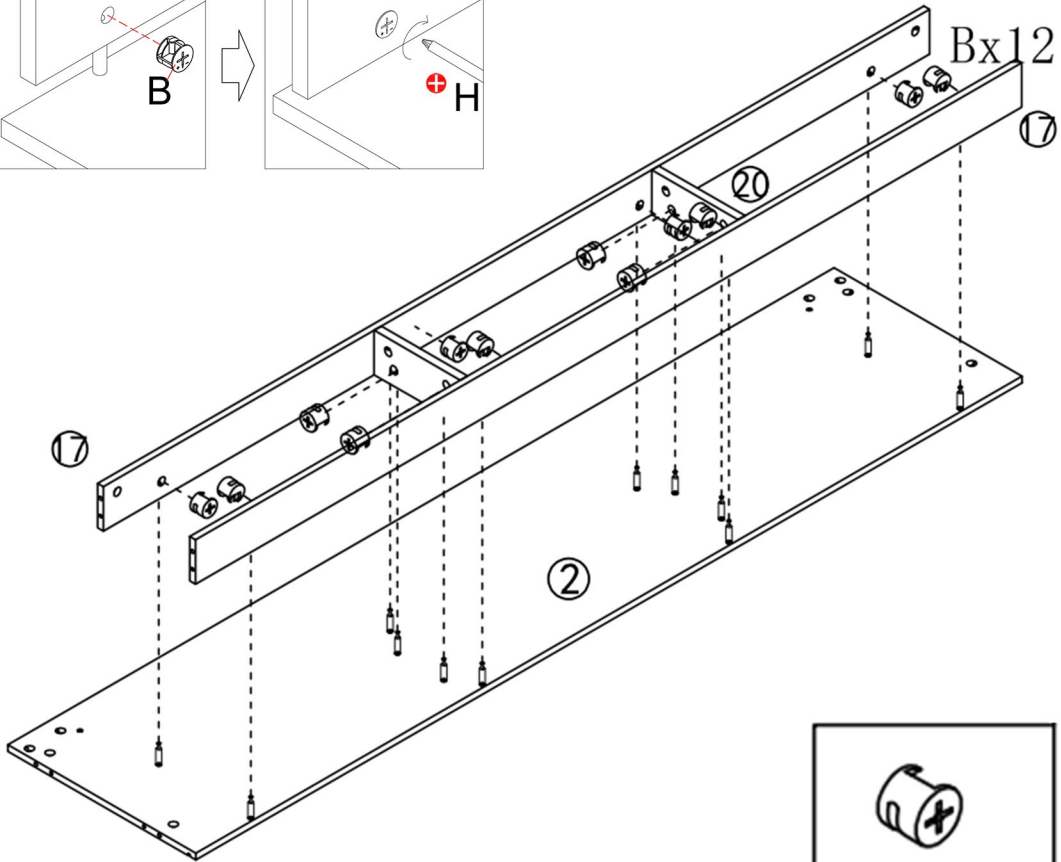
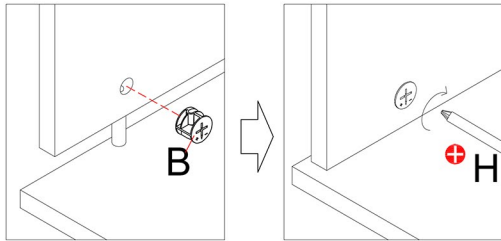
Connect the small blocks (20) between the two rails (17) using wood dowels (C) and cam locks (B).



	
Cx4	Bx4

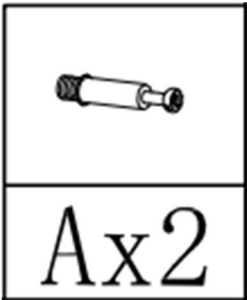
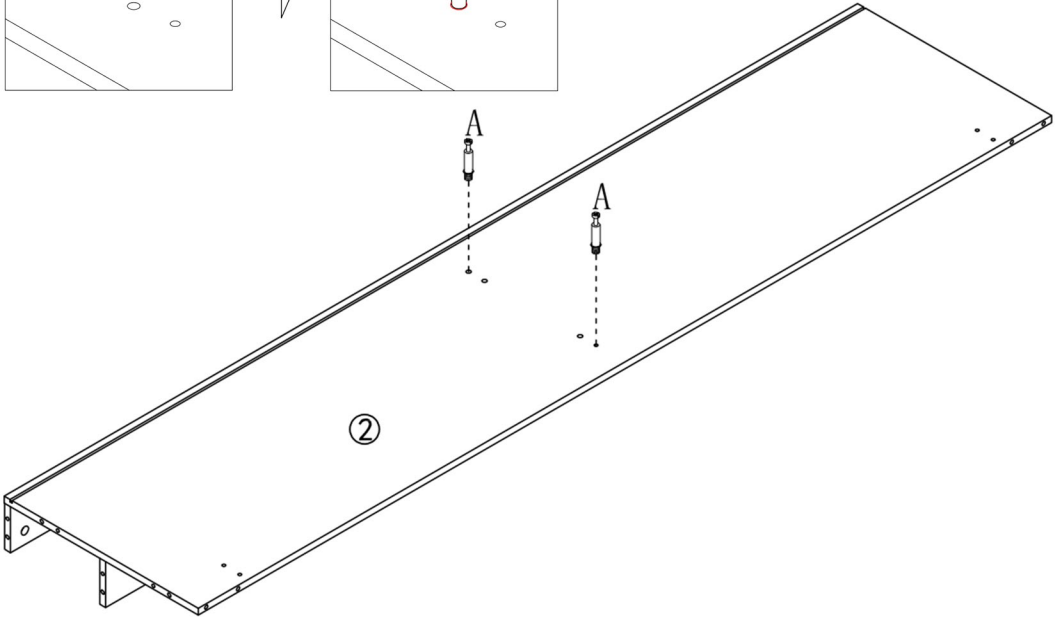
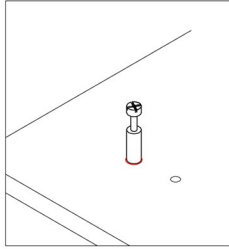
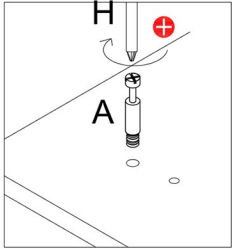
step 10 ---Attach Base Rails

Mount the rail assembly onto base board (2) and tighten them with cam locks (B).



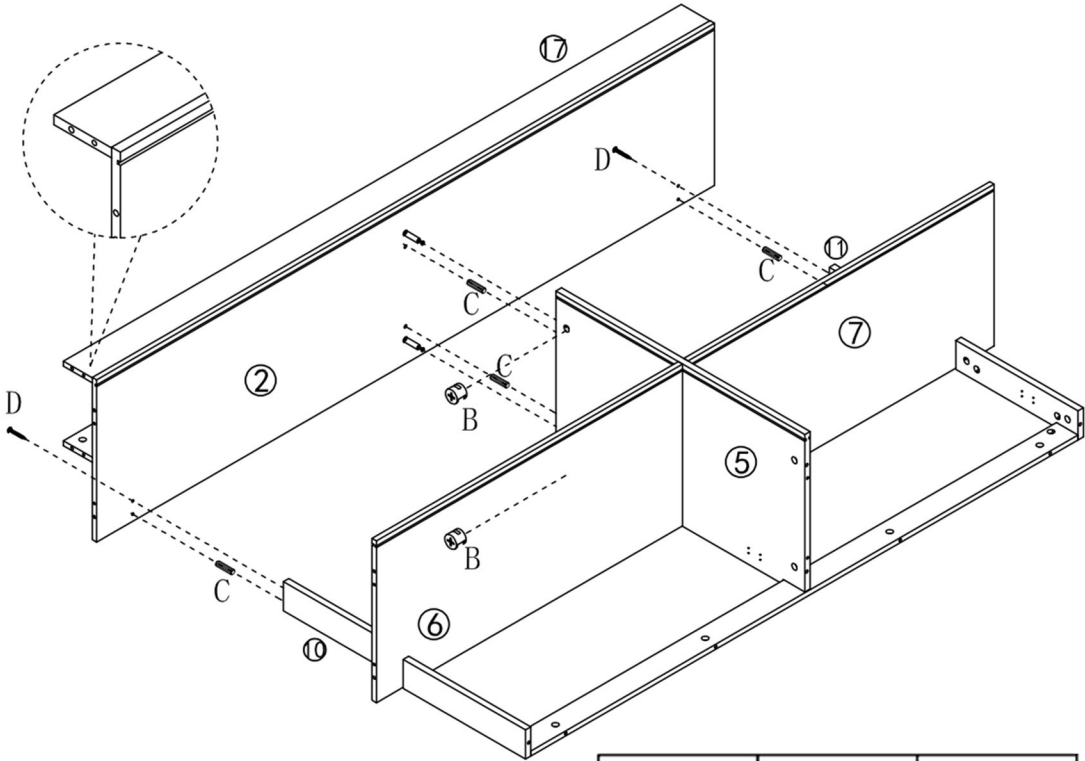
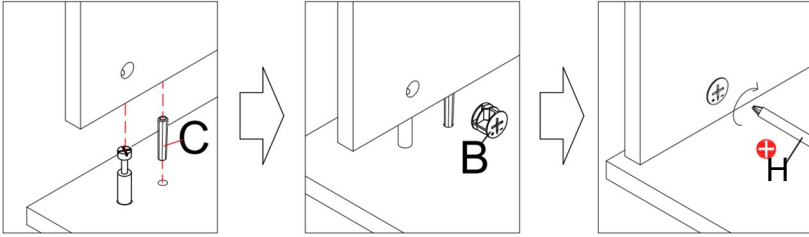
step 1 1 ---Base Cam Bolts




Screw 2 cam bolts (A) into the top of base board (2).



step 12 ---Mount Main Body

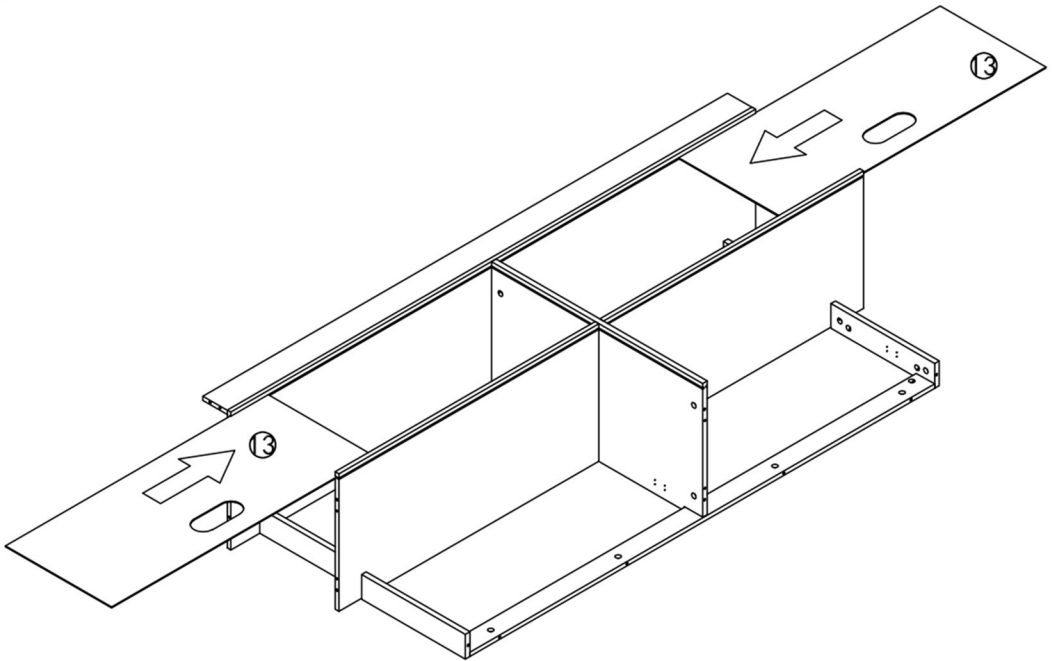
Attach the main cabinet structure to base board (2) using screws (D), wood dowels (C), and cam locks (B).



		
Dx2	Cx4	Bx2

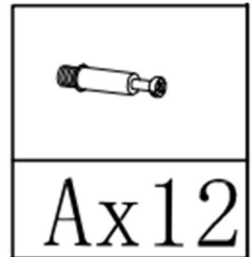
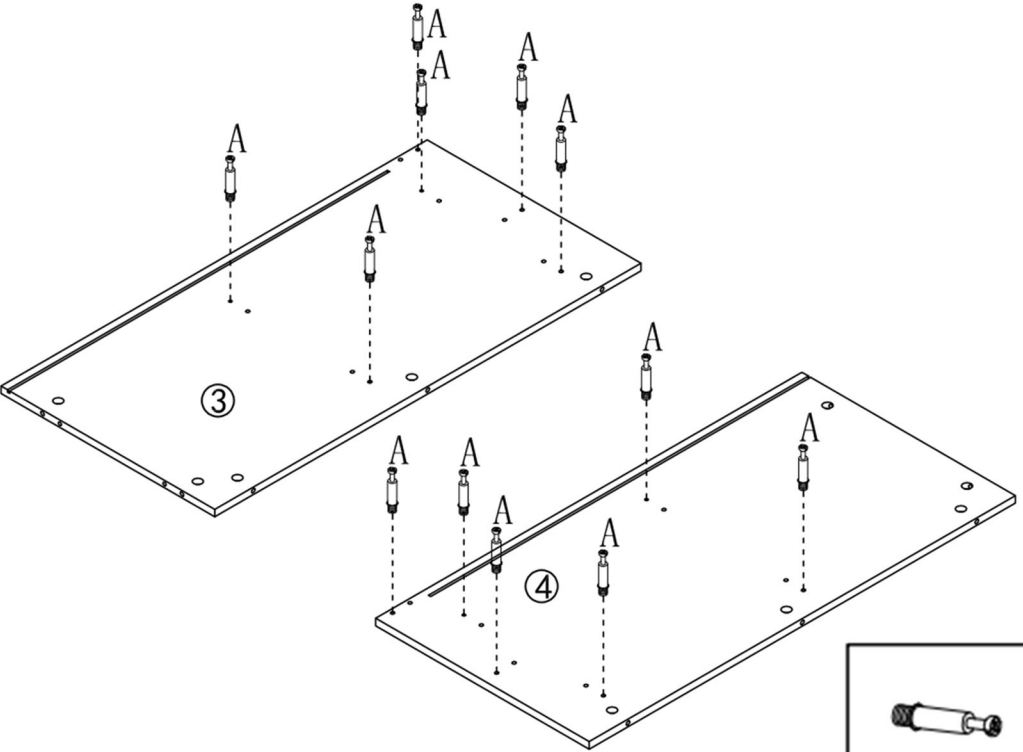
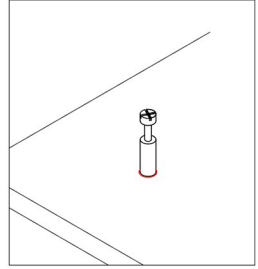
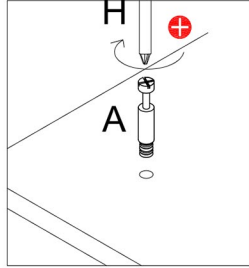
step 13 ---Slide Back Panels

Slide the two lower back panels (13) into the grooves.



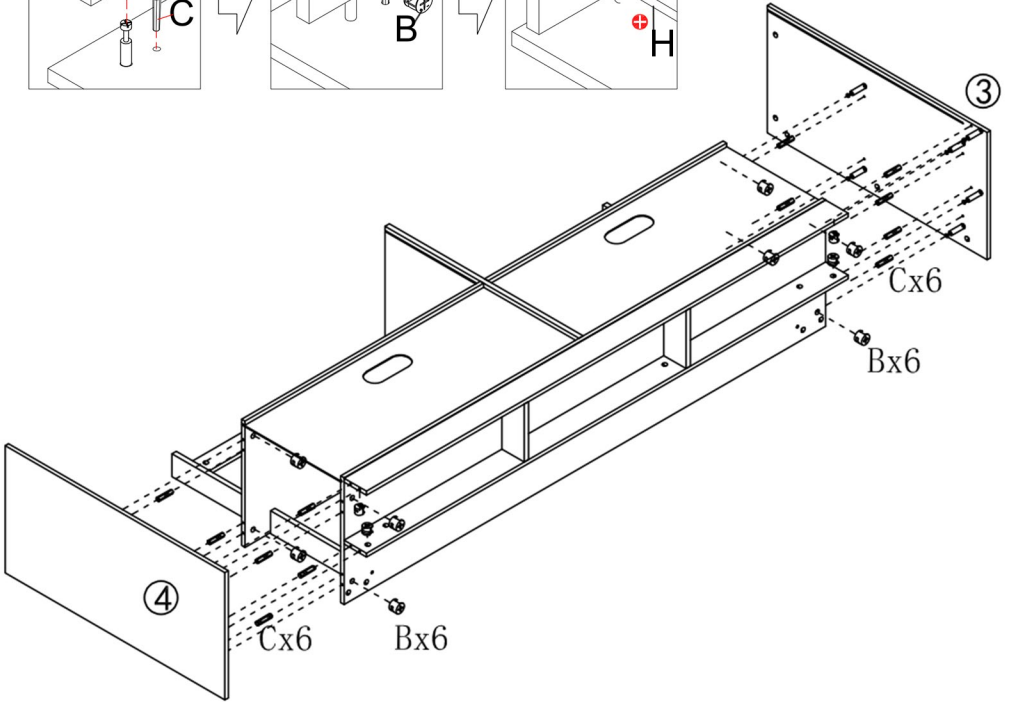
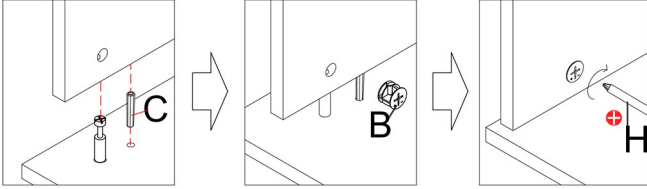
step 14 ---Side Panel Prep

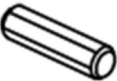

Screw 12 cam bolts (A) into side panels (3) and (4).



step 15 ---Attach Side Panels

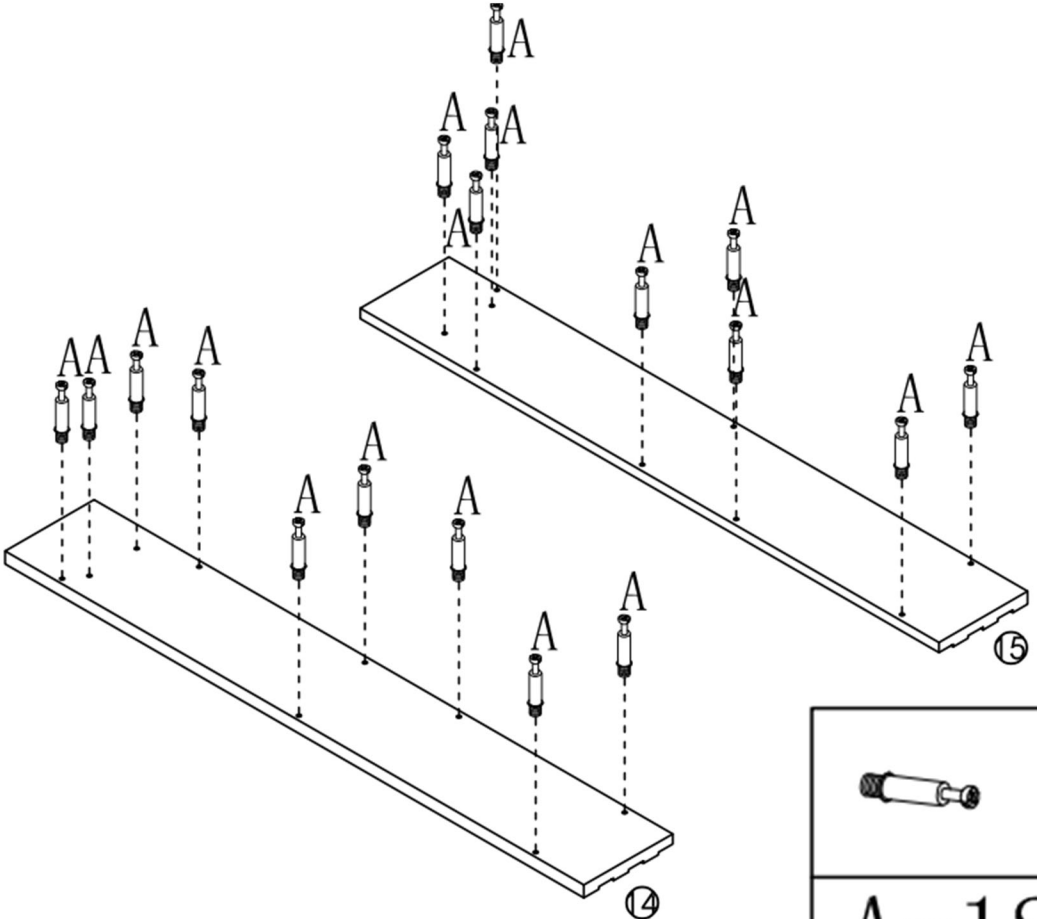
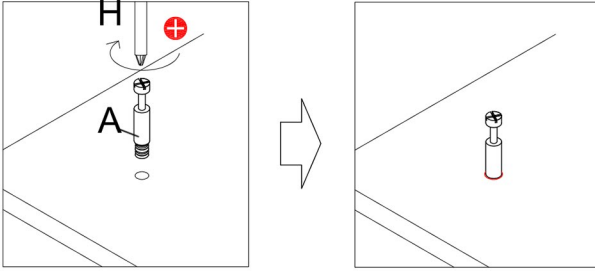
Secure side panels (3) and (4) to the cabinet ends using wood dowels (C) and cam locks (B).



	
Cx12	Bx12

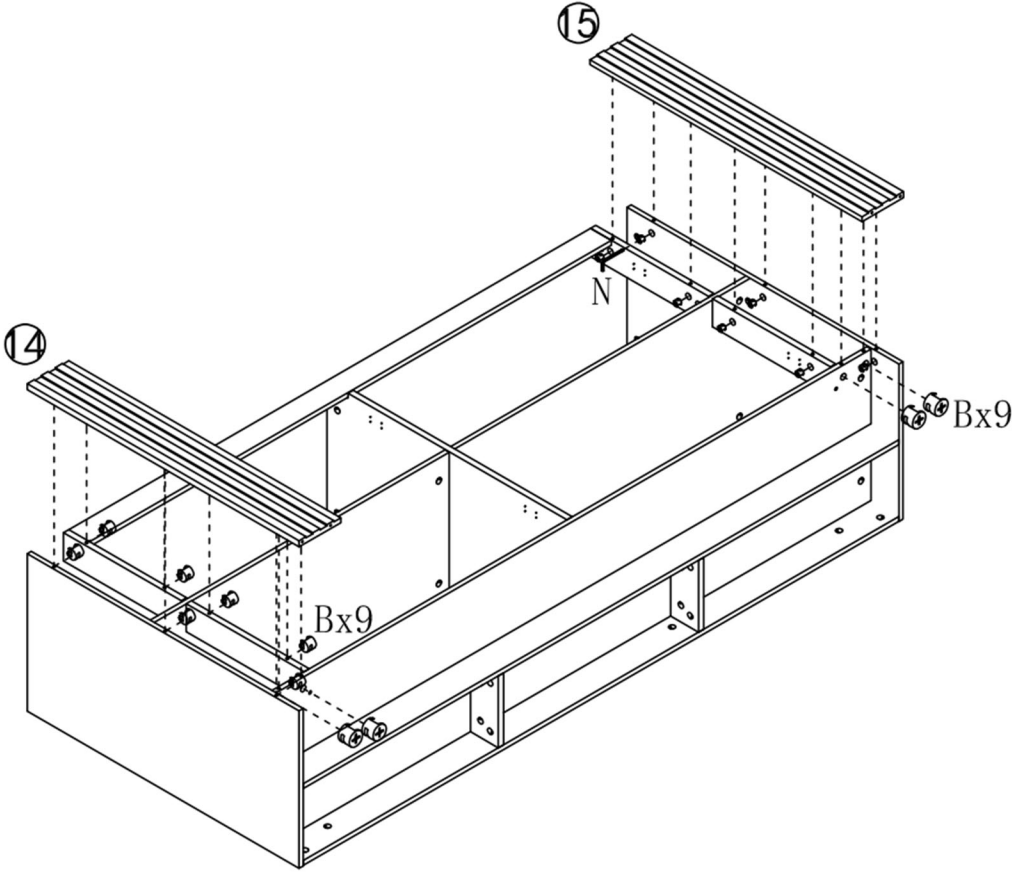
step 16 ---Shelf Support Prep



Screw 18 cam bolts (A) into internal shelf boards (14) and (15).



step 17 ---Install Internal Shelves

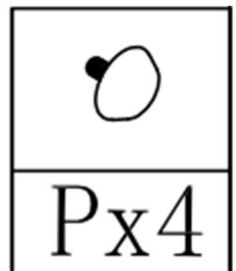
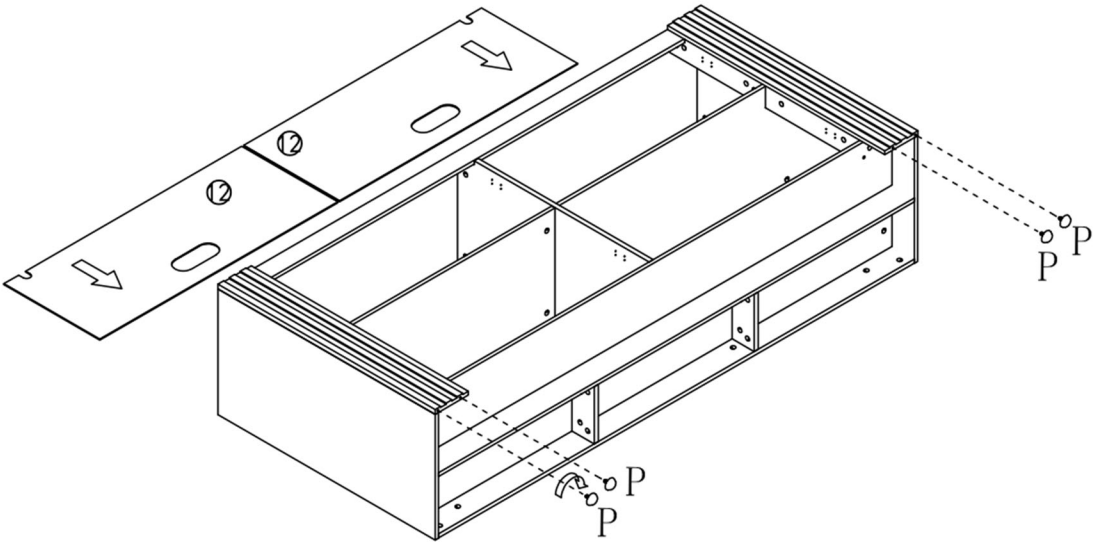
Attach boards (14) and (15) to the structure and tighten with cam locks (B) using the Allen key (N).



	
Nx1	Bx18

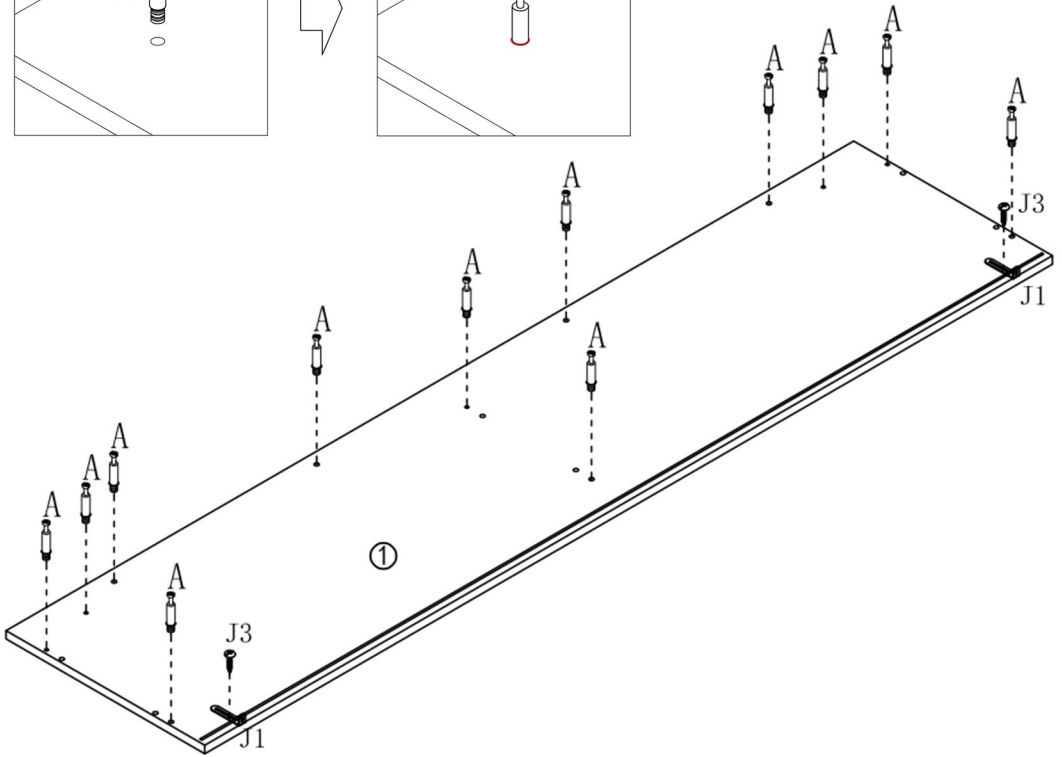
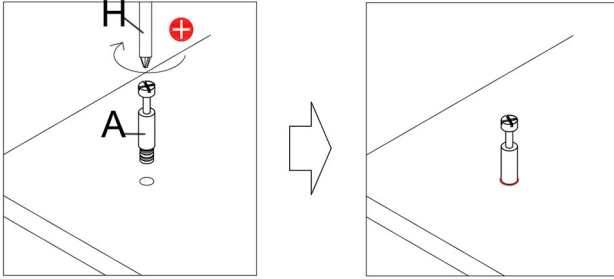
step 18 ---Upper Back Panels

Slide in the upper back panels (12) and insert the 4 plastic covers (P) into the holes.



step 19 ---Top Board Prep

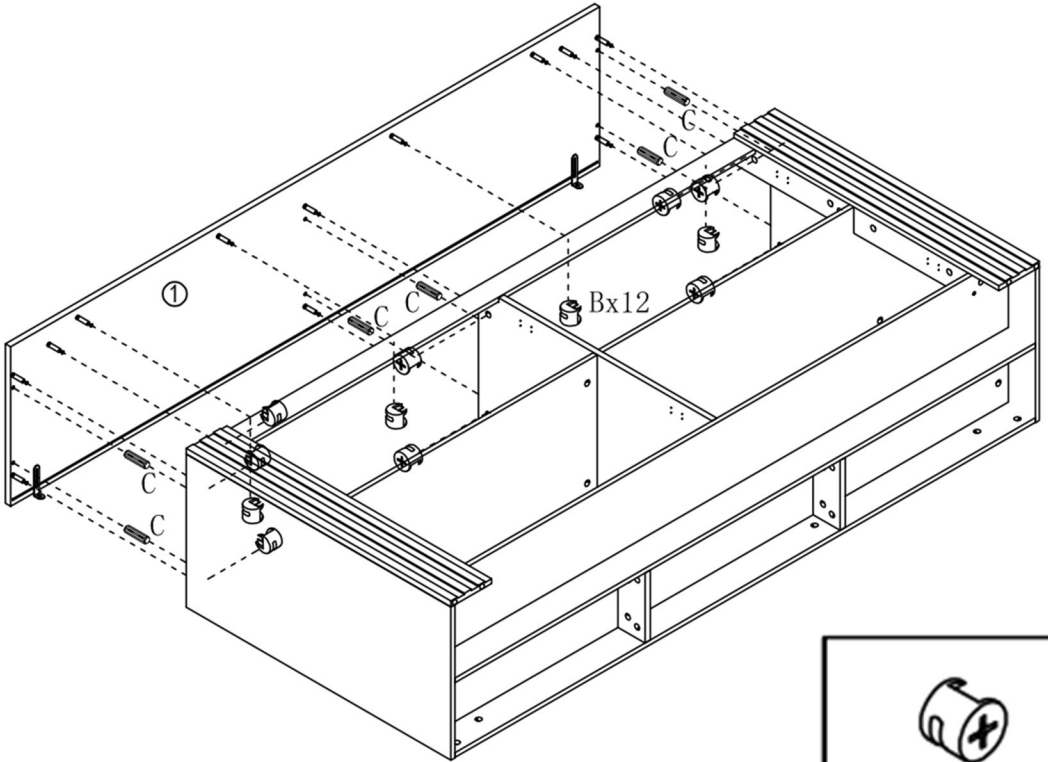
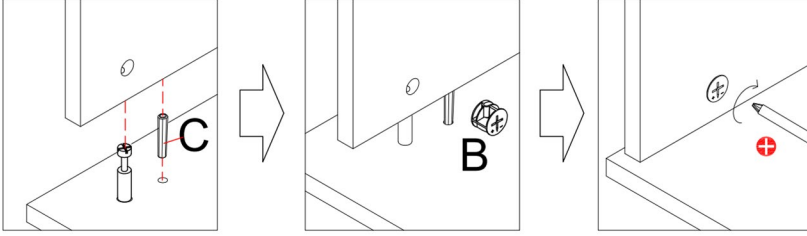
Screw 12 cam bolts (A) into top board (1). Attach the anti-tip brackets (J1) using screws (J3).



J1x2	J3x2	Ax12

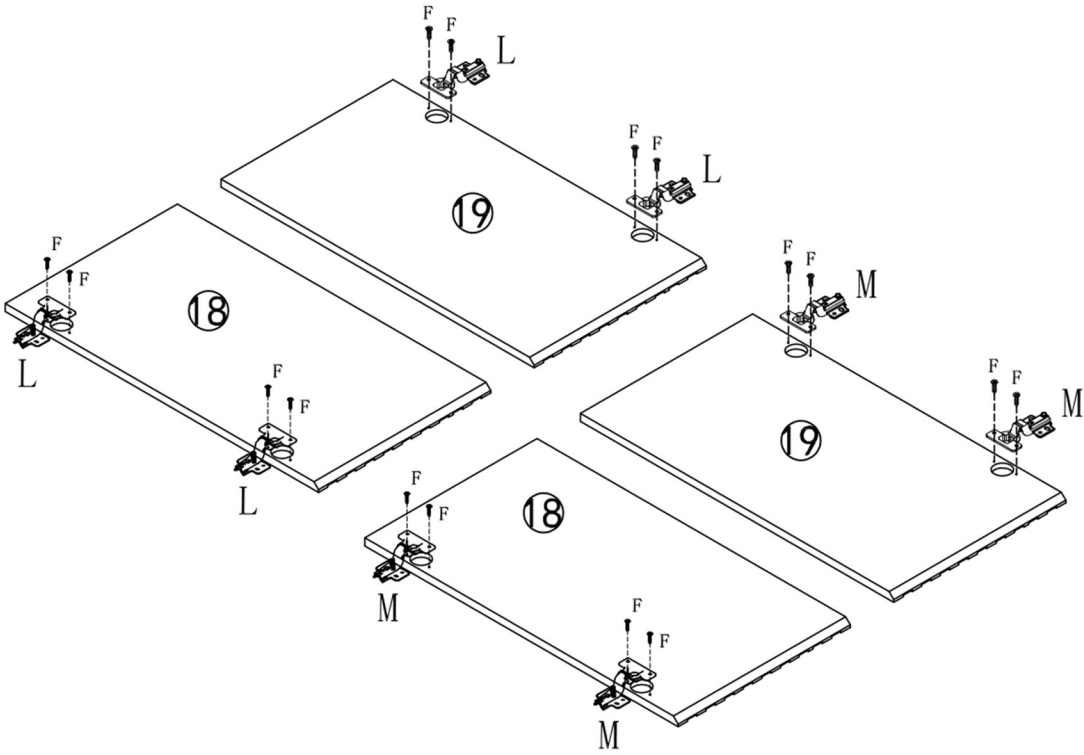
step 20 ---Install Top Board




Place top board (1) onto the cabinet and secure it with wood dowels (C) and cam locks (B).



step 21 ---Prepare Doors

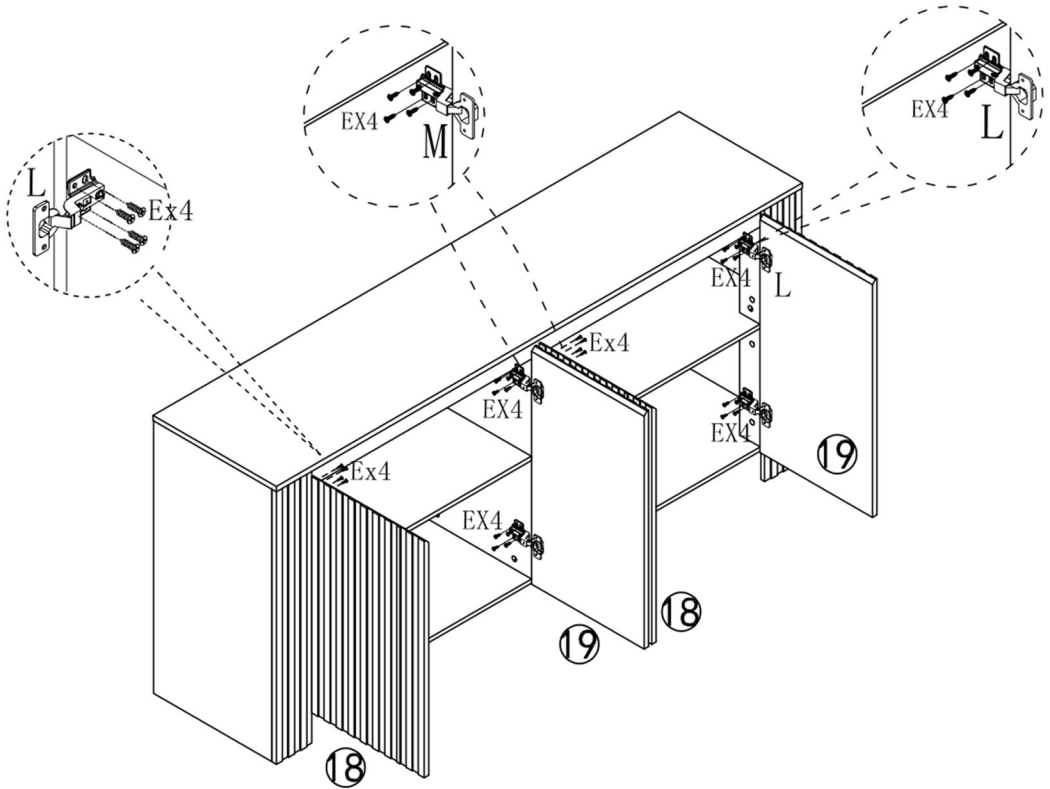
Attach hinges (L and M) to the doors (18 and 19) using screws (F).



		
Lx4	Mx4	Fx16

step 22 ---Hang Doors

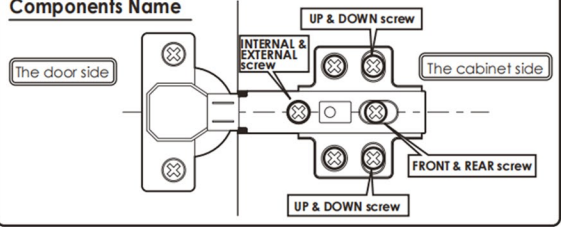
Mount all four doors to the cabinet frame using screws (E).



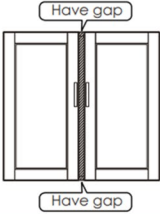
The ways to adjust the door

- Before adjusting the hinge, please check whether the cabinet is skewed.
- If the skew can not be repaired, please remove the anti-tipping device first, then adjust the cabinet to vertical position.
- Please adjust the hinge with the door open.
- Please operate it with more than 2 people, one person holds the door and the other one adjusts the screw.

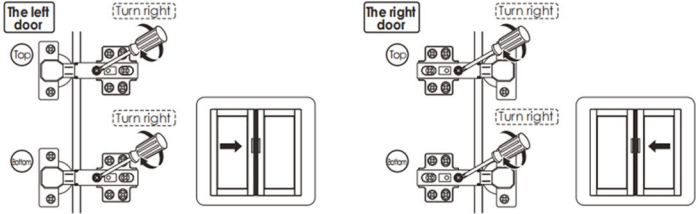
Components Name



Obvious gaps between doors or Doors don't look closed



- 1 Turn "internal & external screw" to the right can make the door approach inside. Please adjust the doors little by little.

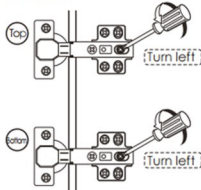


※ If the 2 doors are overlap, please turn the "internal & external screw" to the left.

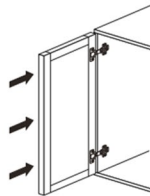
When door is crooked



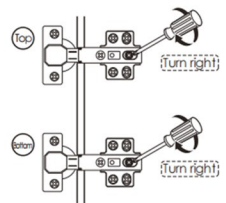
- 1 Rotate the "front and rear screws" to the left



- 2 Push the door to the cabinet



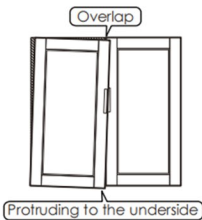
- 3 Rotate the "front and rear screws" to the right



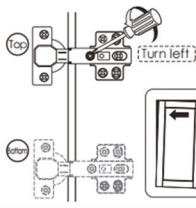
Please take the following steps to adjust first.

※ After adjusting the "front and rear screw", the door still does not change, please turn the "internal & external screw" to the right slightly.

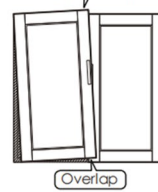
When door is leaning



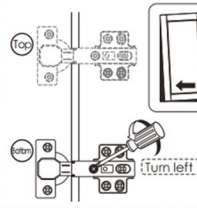
- 1 Turn "internal & external screw" to the left can make the top of the door tilted outward.



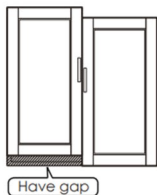
Protruding to the upside



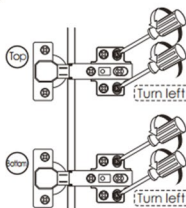
- 1 Turn "internal & external screw" to the left can make the bottom of the door tilted outward.



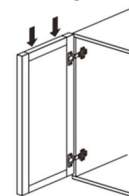
When the door is higher on top



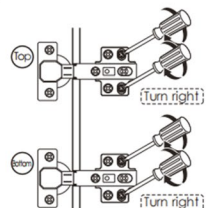
- 1 Turn "up & down screw" to the left



- 2 Lower the door's height so that 2 doors are of the same height.



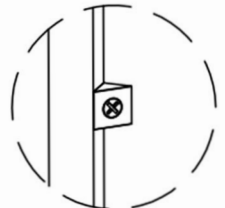
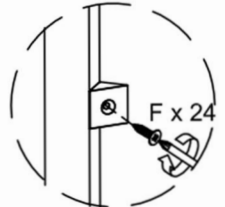
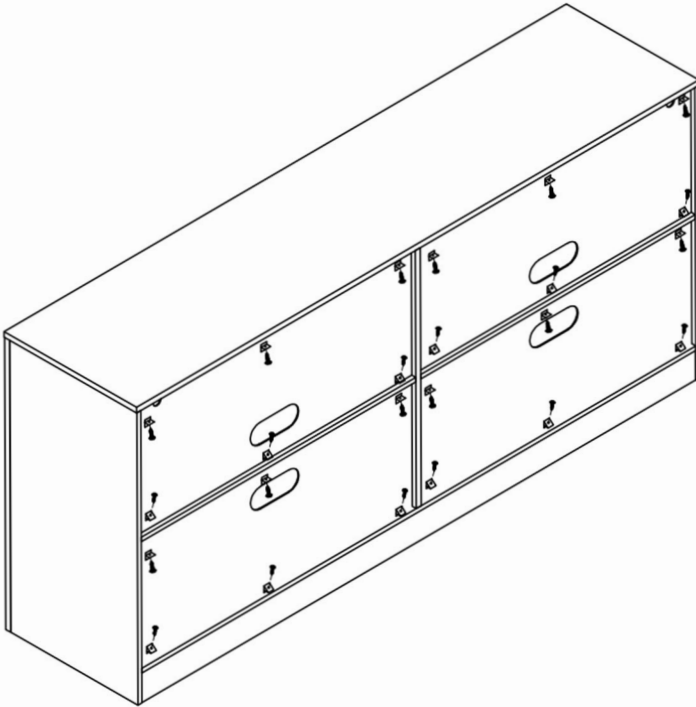
- 3 Turn "up & down screw" to the right





※ If the door is lower on bottom, please lift up the left door slightly on step 2

step 23 ---Secure Back Panels

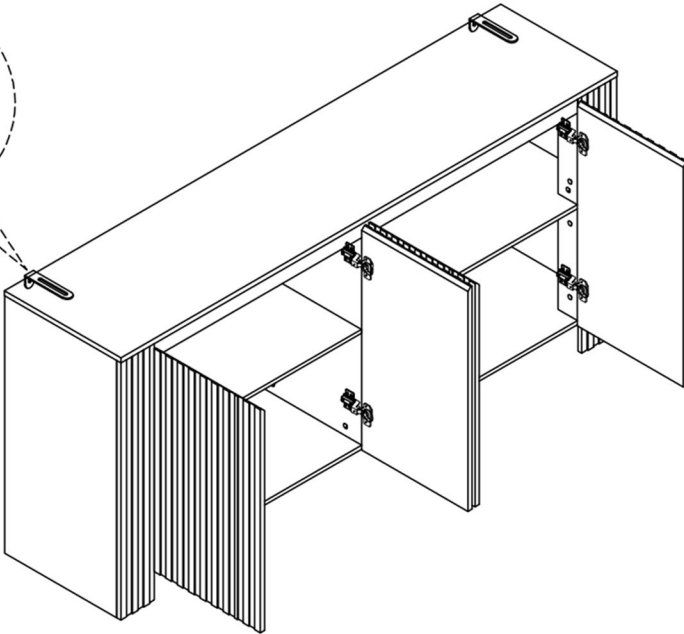
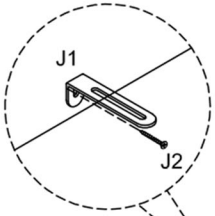
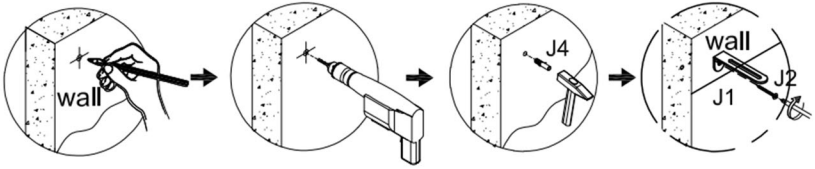
Attach back panel clips (G) with screws (F) around the edges of the back panels.



	
Gx24	Fx24

step 24 ---Wall Mounting

For safety, drill holes in the wall, insert wall anchors (J4), and secure the anti-tip brackets (J1) with screws (J2).



J4x2	J2x2

step 25 ---Assemble complete

Congradulations! You have finished the assembly, thank you again for choosing our product! Please enjoy!

