

ASSEMBLY INSTRUCTIONS

Left Side Chair with one Arm



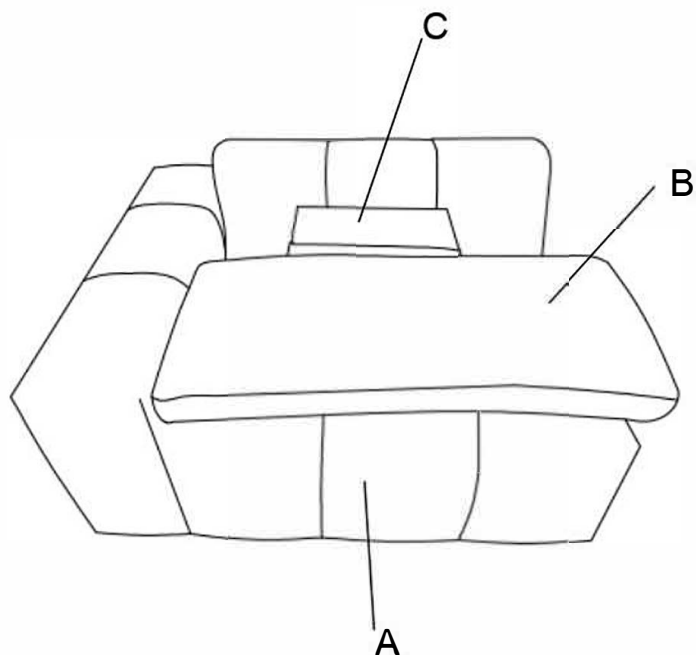
Plastic legs have been pre-installed at the bottom of the chair.

Note: Do not use power tools for assembly. Power tools increase the risk of over tightening which lead to splitting or cracking the wood.

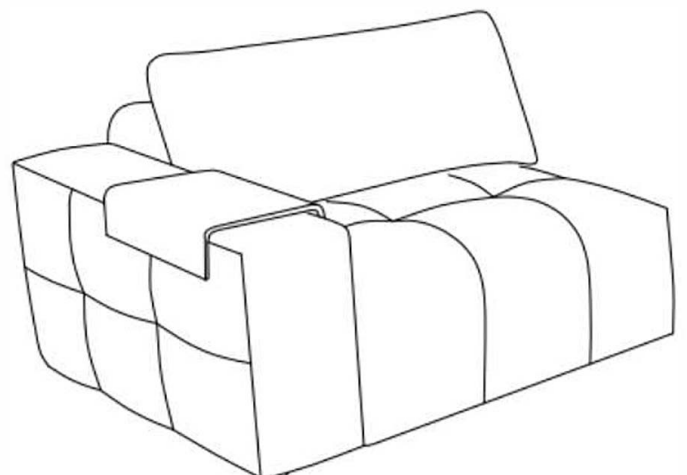
COMPONENT LIST

NO	DRAWING	DESCRIPTION	QTY
A		LSF CHAIR	1 PC
B		BACK CUSHION	1 PC
C		PLYWOOD ARM TRAY 17.7"x 12.2"x 4.7"	1 PC

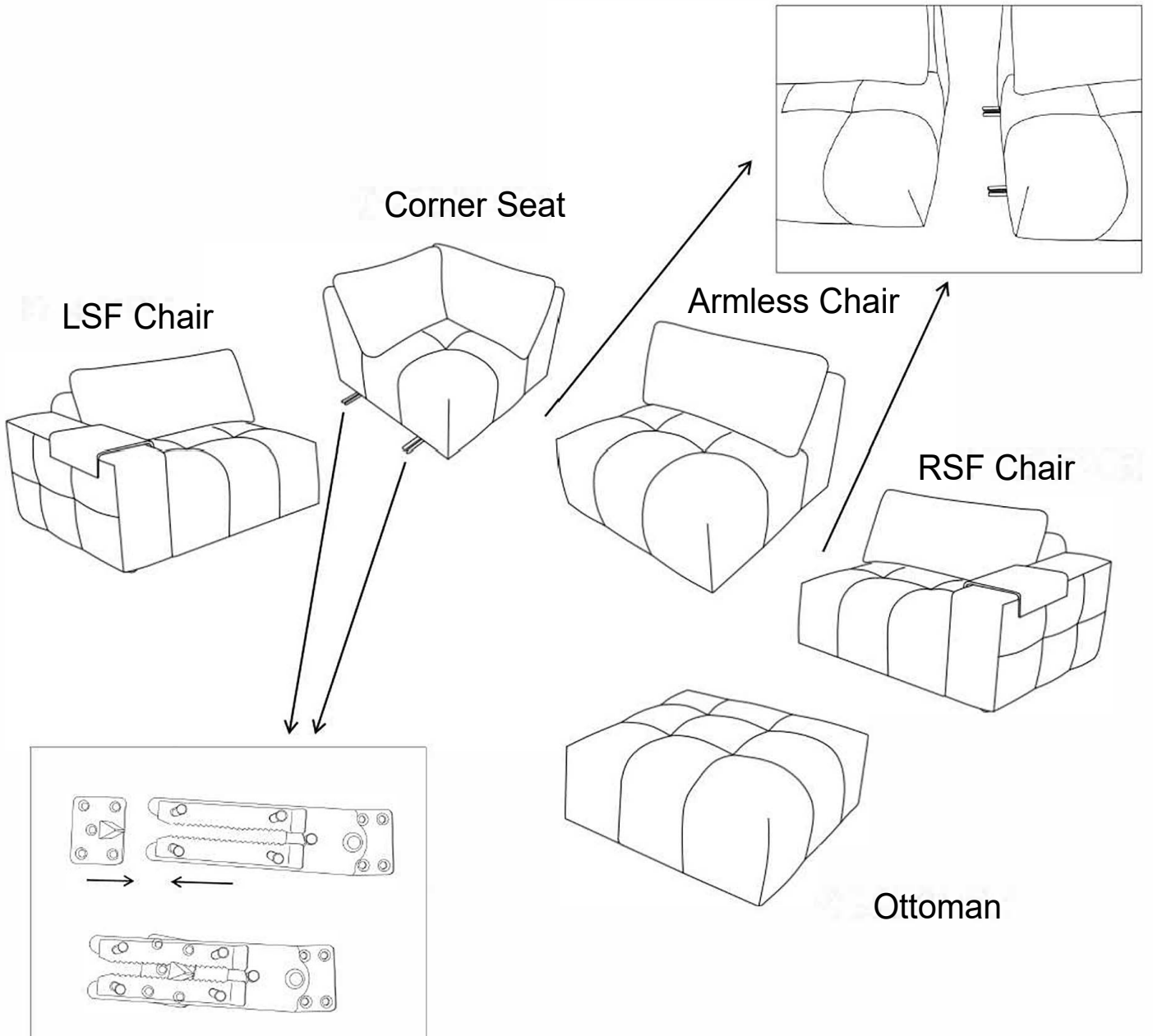
STEP 1:



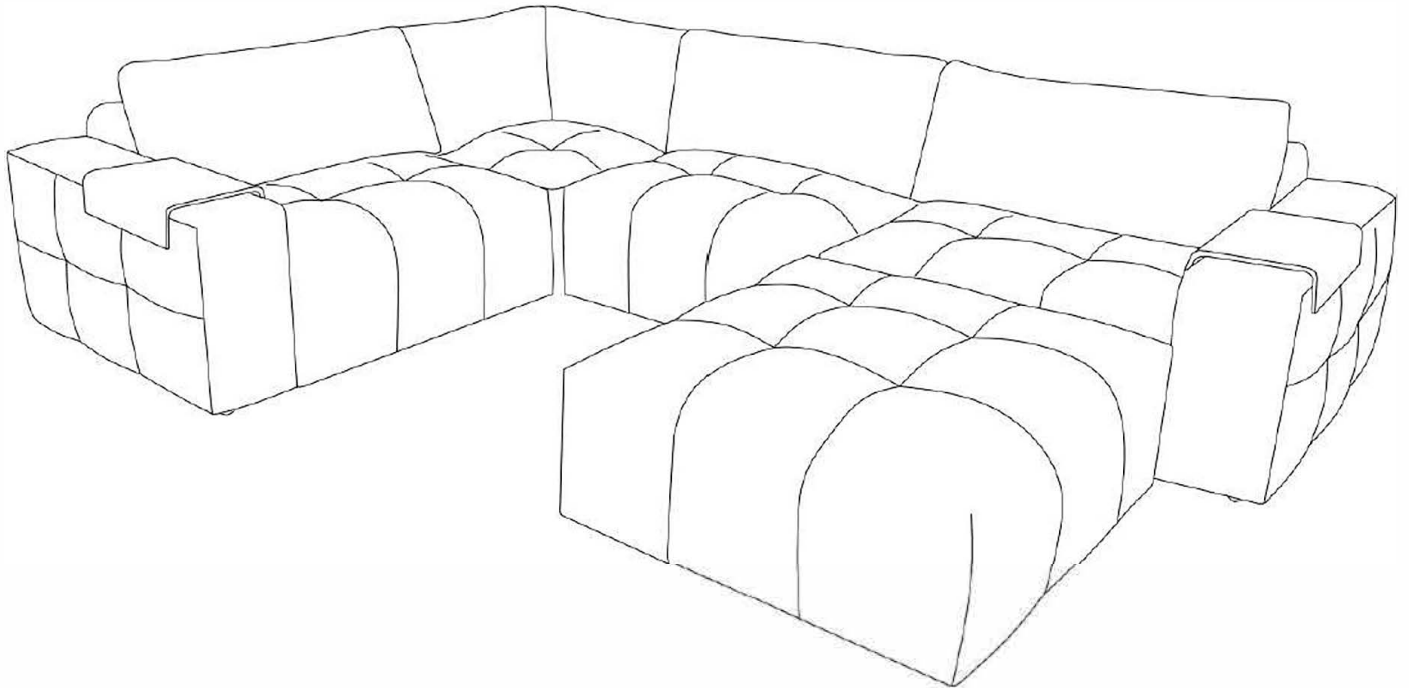
STEP 2: Completed.



STEP 3:



STEP 4: Sectional Completed.



Care Instructions for Textured Fabric Furniture:

In order to maintain the original appearance of your textured fabric, please follow below simple care procedures:

- Avoid exposing furniture directly to sunlight or heating and air conditioning outlets. Sunlight and/or exposure to heating and air conditioning outlets will fade/damage textured fabric. Do not place your upholstered furniture too close to windows, radiators, or vents.
- Vacuum or wipe with a soft cloth to remove dust.
- Hardware may loosen over time. Periodically check to make sure all connections are tight. Re-tighten if necessary.



For items use on wooden floor, hard surfaces or carpets, it is recommended to install protective pads under all legs and supports to avoid/prevent from damages/scratches and discoloration.

ASSEMBLY I N S T R U C T I O N S

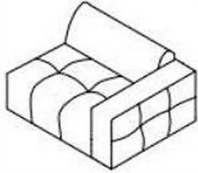


Right Side Chair



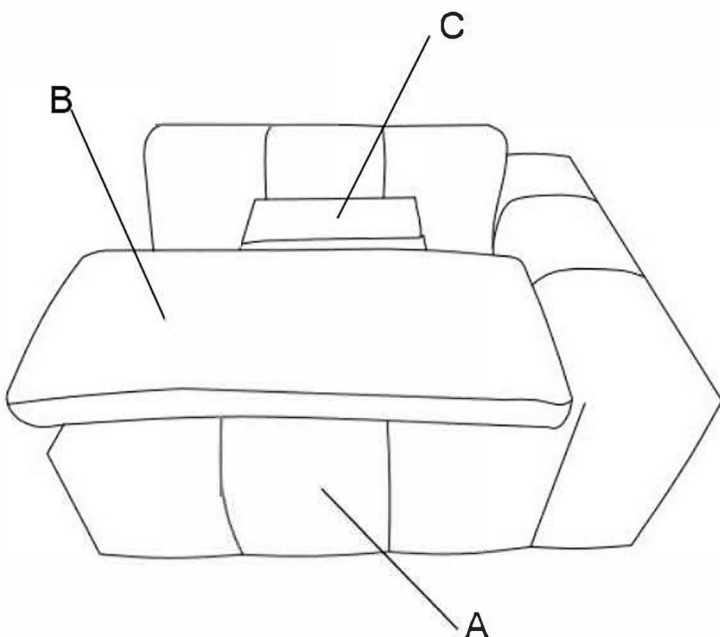
Plastic legs have been pre-installed at the bottom of the chair.

Note: Do not use power tools for assembly. Power tools increase the risk of over tightening which lead to splitting or cracking the wood.

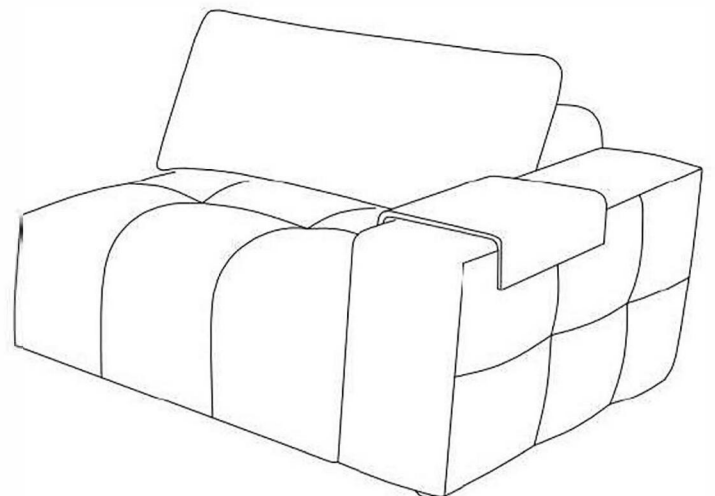
COMPONENT LIST

NO	DRAWING	DESCRIPTION	QTY
A		RSF CHAIR	1 PC
B		BACK CUSHION	1 PC
C		PLYWOOD ARM TRAY 17.7"x 12.2"x 4.7"	1 PC

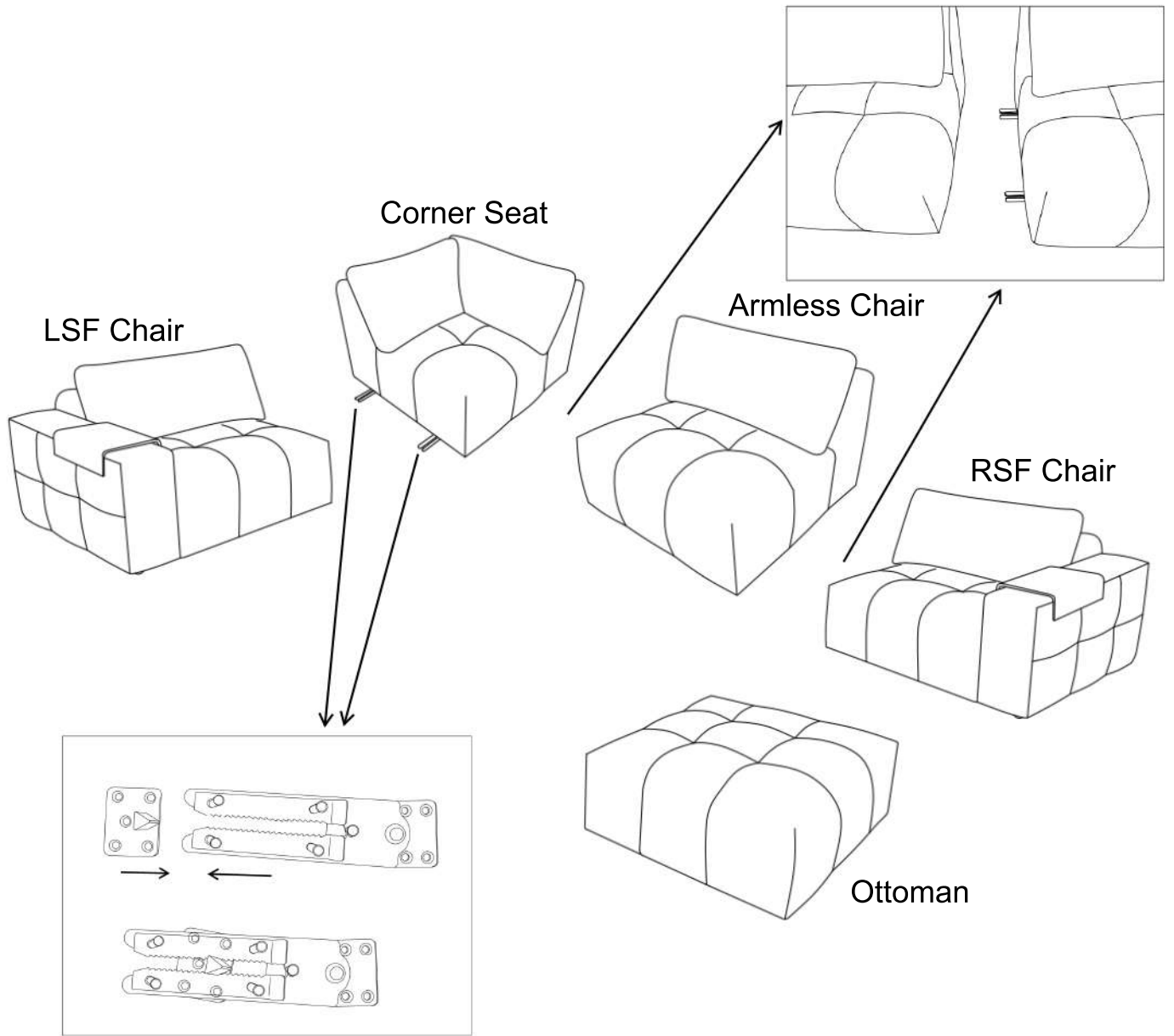
STEP 1:



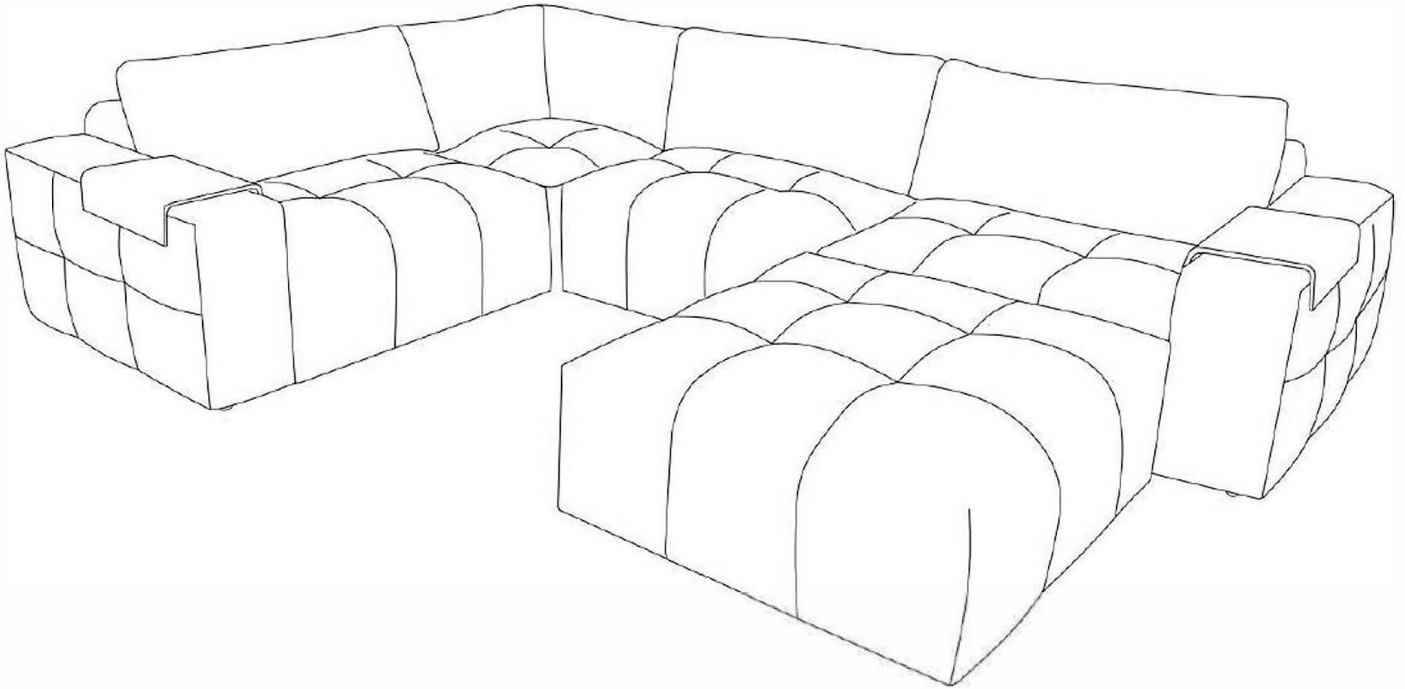
STEP 2: Completed.



STEP 3:



STEP 4: Sectional Completed.



Care Instructions for Textured Fabric Furniture:

In order to maintain the original appearance of your textured fabric, please follow below simple care procedures:

- Avoid exposing furniture directly to sunlight or heating and air conditioning outlets. Sunlight and/or exposure to heating and air conditioning outlets will fade/damage textured fabric. Do not place your upholstered furniture too close to windows, radiators, or vent.
- Vacuum or wipe with a soft cloth to remove dust.
- Hardware may loosen over time. Periodically check to make sure all connections are tight. Re-tighten if necessary.



For items use on wooden floor, hard surfaces or carpets, it is recommended to install protective pads under all legs and supports to avoid/prevent from damages/scratches and discoloration.

ASSEMBLY INSTRUCTIONS

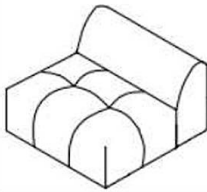

Armless Chair



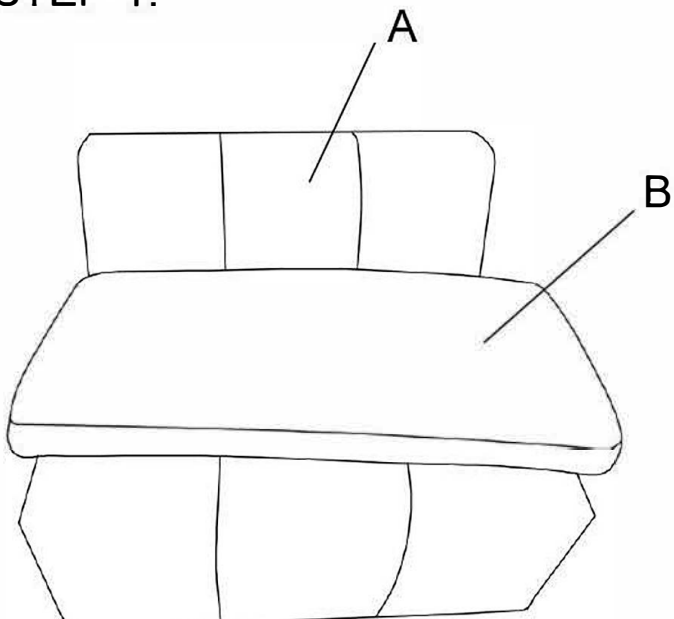
Plastic legs have been pre-installed at the bottom of the chair.

Note: Do not use power tools for assembly. Power tools increase the risk of over tightening which lead to splitting or cracking the wood.

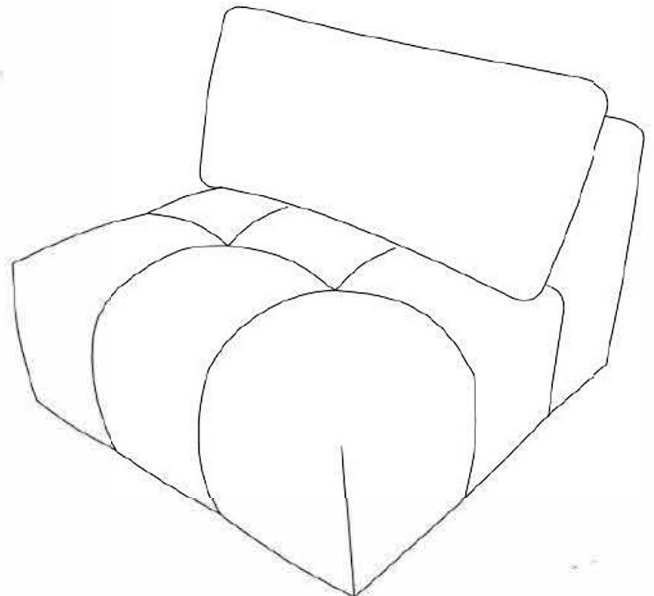
COMPONENT LIST

NO	DRAWING	DESCRIPTION	QTY
A		CHAIR	1 PC
B		BACK CUSHION	1 PC

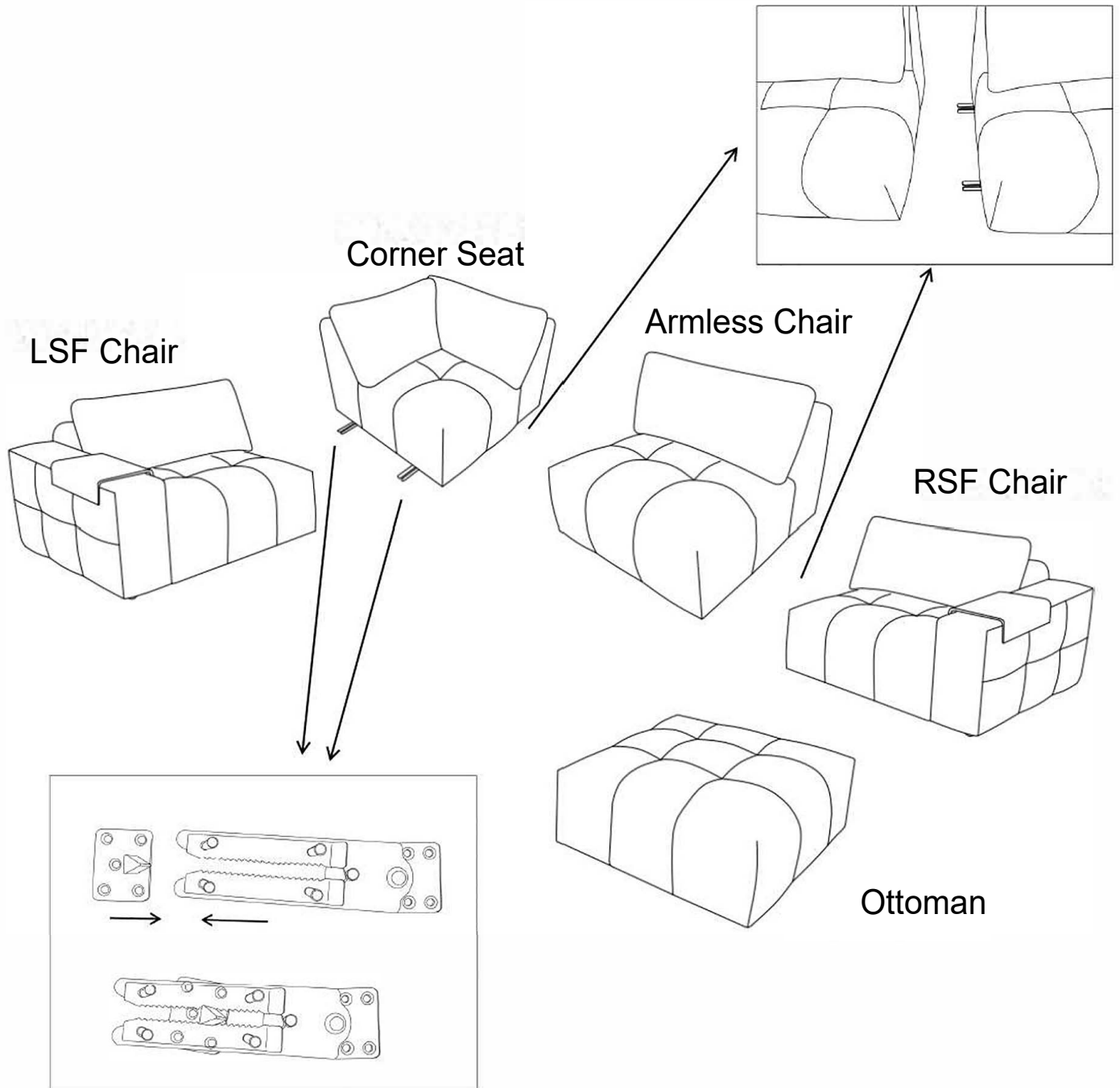
STEP 1:



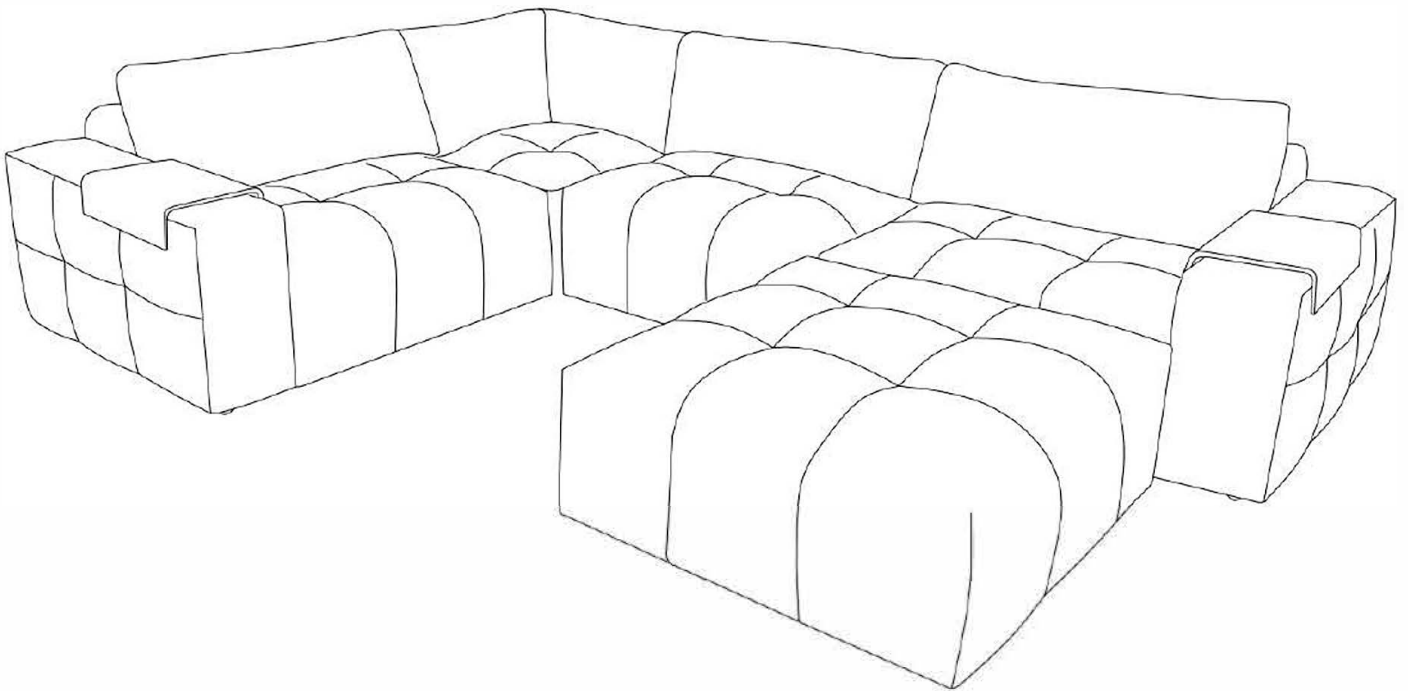
STEP 2: Completed.



STEP 3:



STEP 4:



Care Instructions for Textured Fabric Furniture:

In order to maintain the original appearance of your textured fabric, please follow below simple care procedures:

- Avoid exposing furniture directly to sunlight or heating and air conditioning outlets. Sunlight and/or exposure to heating and air conditioning outlets will fade/damage textured fabric. Do not place your upholstered furniture too close to windows, radiators, or vents.
- Vacuum or wipe with a soft cloth to remove dust.
- Hardware may loosen over time. Periodically check to make sure all connections are tight. Re-tighten if necessary.



For items use on wooden floor, hard surfaces or carpets, it is recommended to install protective pads under all legs and supports to avoid/prevent from damages/scratches and discoloration.

ASSEMBLY INSTRUCTIONS

Ottoman with Caster



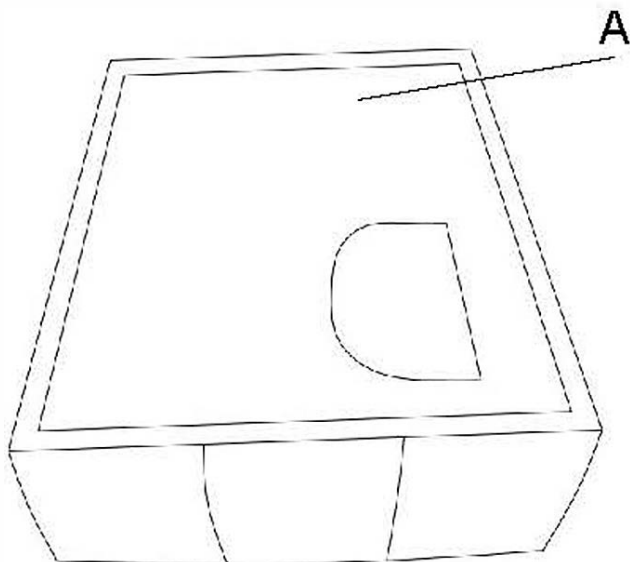
Casters and hardware are stored at the bottom of the ottoman, please unzip the bottom seat cover and take out for assembly.

Note: Do not use power tools for assembly. Power tools increase the risk of over tightening which lead to splitting or cracking the wood.

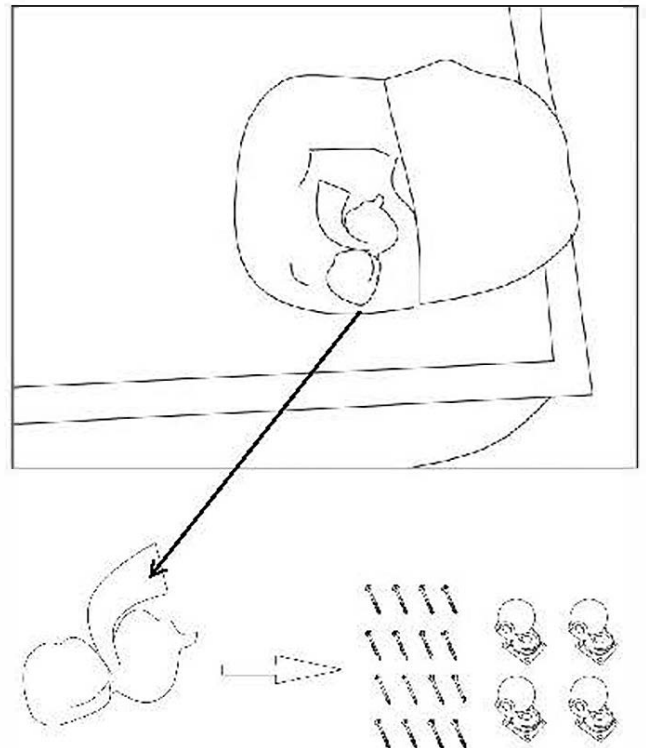
COMPONENT LIST

NO	DRAWING	DESCRIPTION	QTY
A		OTTOMAN	1 PC
B		CASTER	4 PCS
C		SCREW $\varnothing 1/4"$ x $3/4"$ L	16 PCS

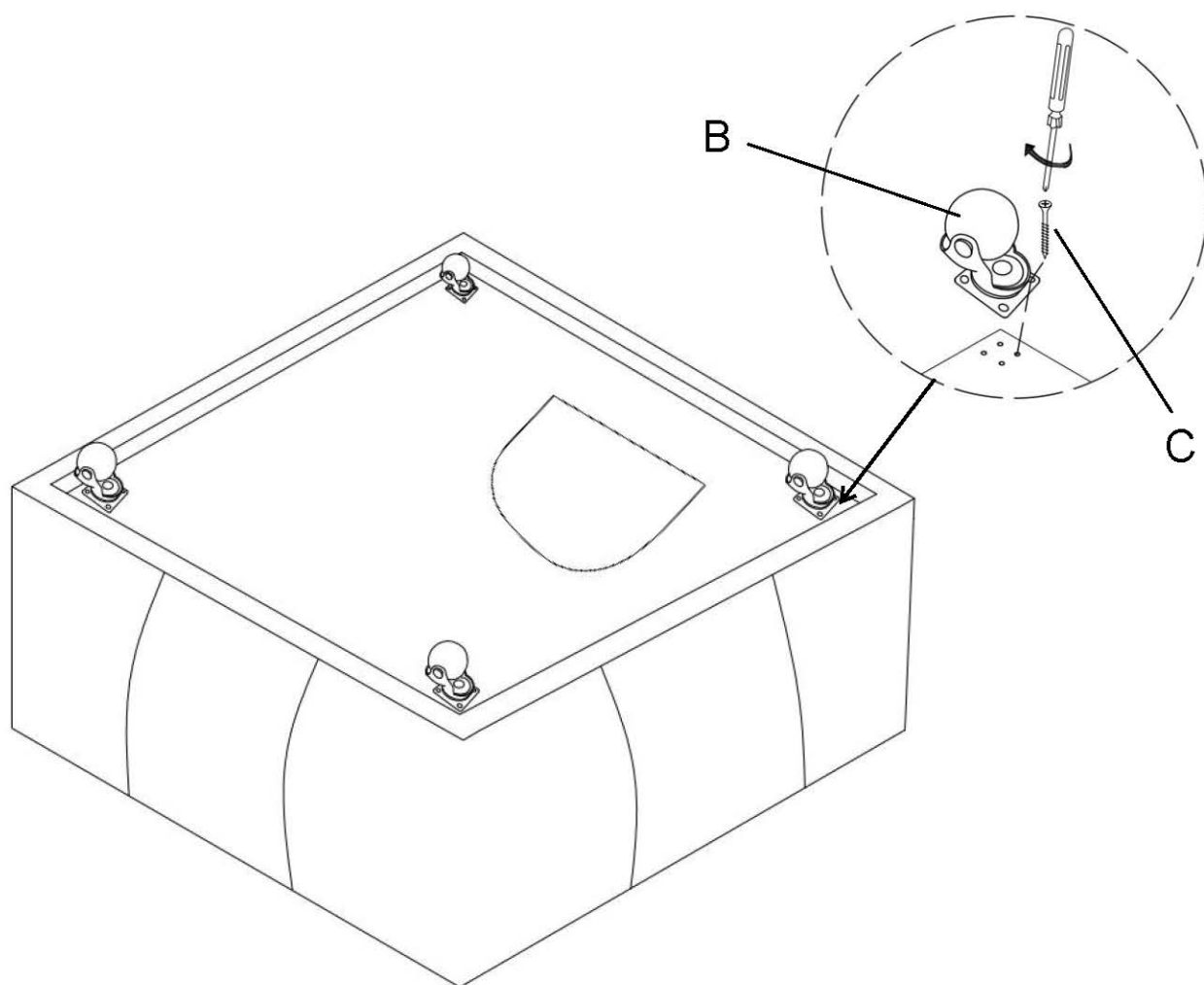
STEP 1:



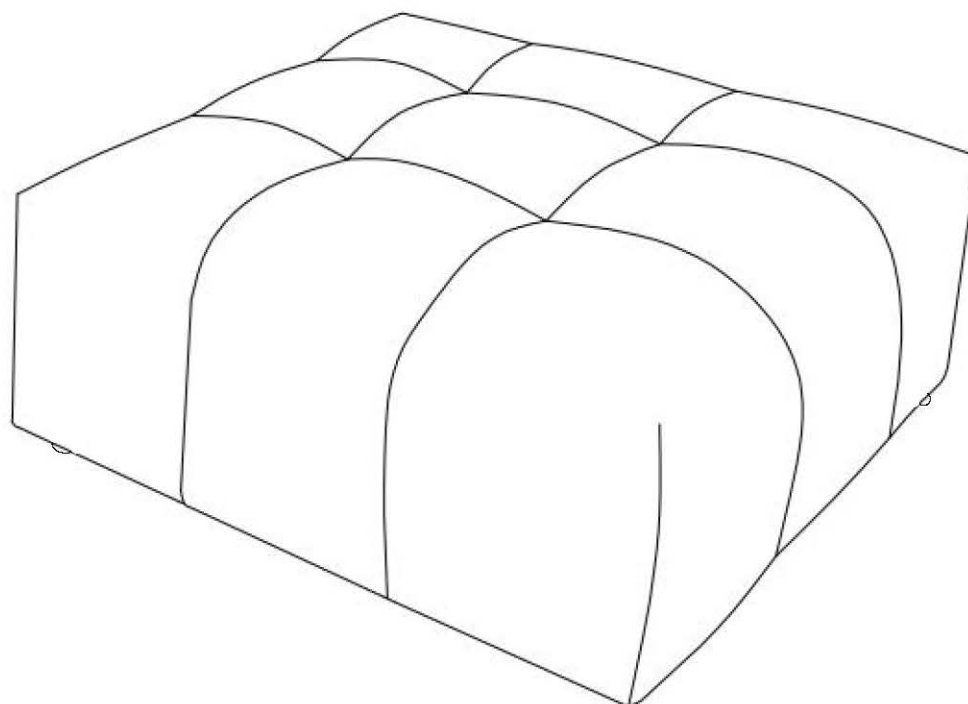
STEP 2:



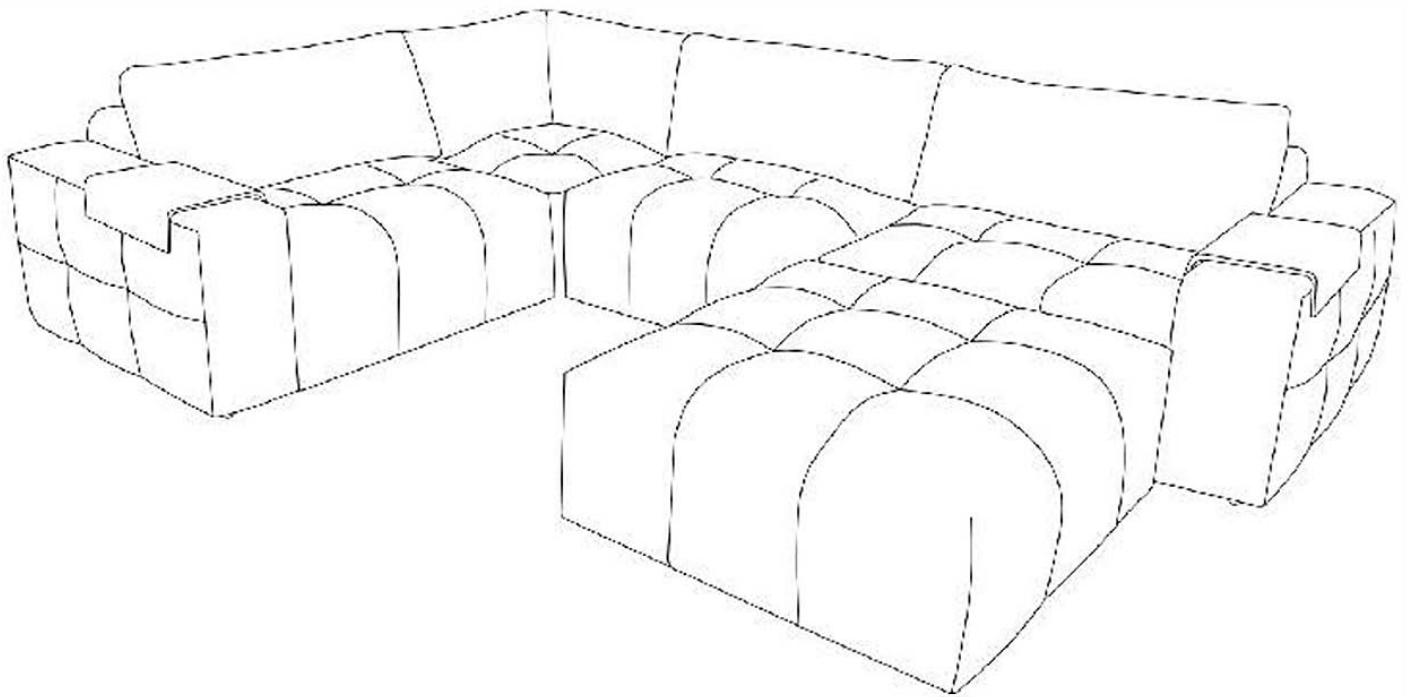
STEP 3:



STEP 4: Completed.



STEP 5:



Care Instructions for Textured Fabric Furniture:

In order to maintain the original appearance of your textured fabric, please follow below simple care procedures:

- Avoid exposing furniture directly to sunlight or heating and air conditioning outlets. Sunlight and/or exposure to heating and air conditioning outlets will fade/damage textured fabric. Do not place your upholstered furniture too close to windows, radiators, or vents.
- Vacuum or wipe with a soft cloth to remove dust.
- Hardware may loosen over time. Periodically check to make sure all connections are tight. Re-tighten if necessary.



For items use on wooden floor, hard surfaces or carpets, it is recommended to install protective pads under all legs and supports to avoid/prevent from damages/scratches and discoloration.