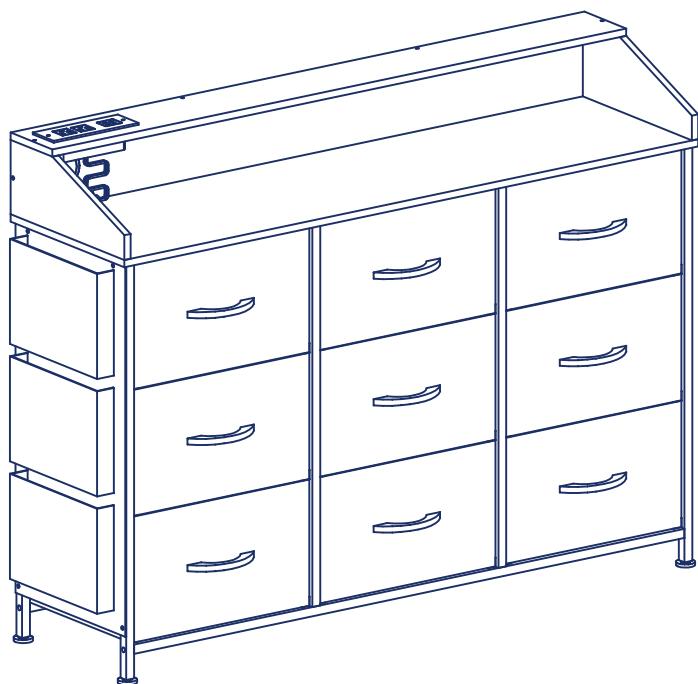


Fabric Dresser

Installation Manual



1	PRE-INSTALLATION PREPARATION	01
1-1	Thank you for choosing our products	01
1-2	Package contents	01
1-3	Precautions	01
2	INSTALLING MODULES	02
2-1	Product Assembly Diagram	02
2-2	Suggestion	02
2-3	Parts List	03
2-4	Assembly Steps	04
3	CUSTOMER SERVICE	12
4	PROBLEMS YOU MAY ENCOUNTER	13

Thank you for choosing our products

Before assembly, please read this Installation Manual first, and check according to Parts List to make sure all parts are included.

Package contents

Fabric dresser with drawers

Assembly tools

Installation Manual

Precautions



Avoid long-term direct sunlight exposure.



Keep away from sharp objects.



Keep away from corrosive substances.



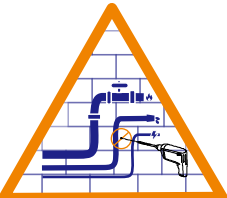
Keep infants/children away from assembled parts to avoid



This product must be assembled by an adult before use.



Never allow children to stand, climb or hang on drawers, doors or shelves.



Note that the wall to be drilled has no hidden electrical wires, water pipes and gas pipes.

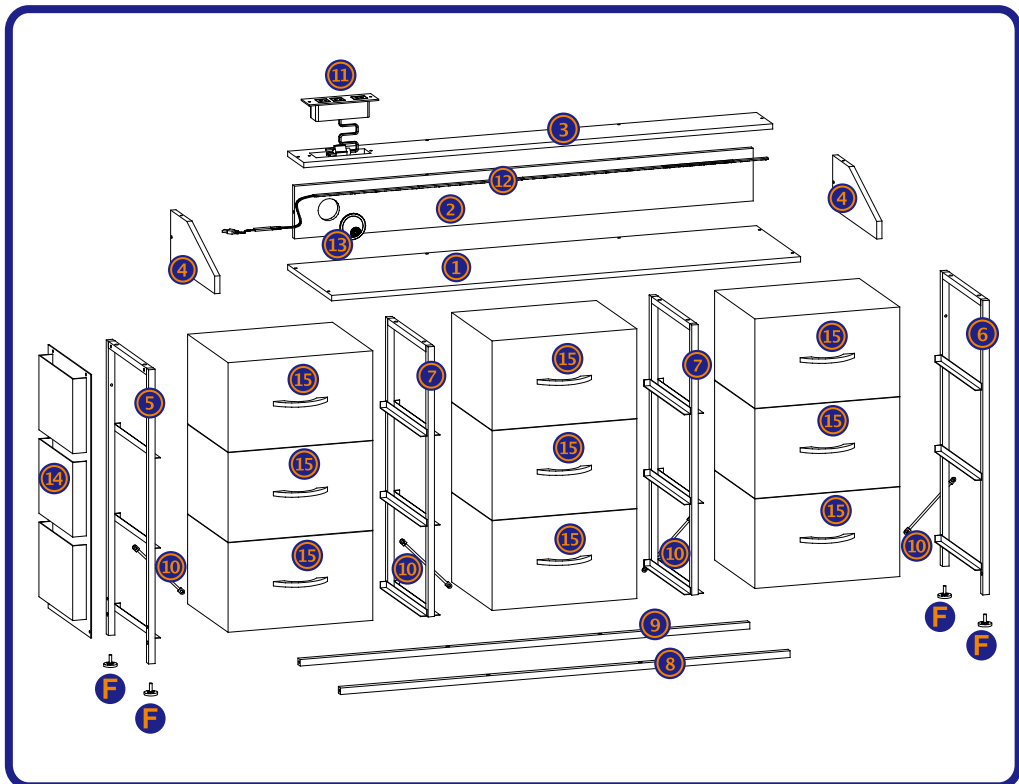


When assembling the product, be careful of iron frames or iron pipes hitting people.



Pay attention to avoid over-tightening fasteners, or they may induce cracking within the board.

Product Assembly Diagram



Suggestion



The installation takes 30 minutes

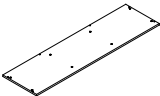
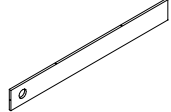
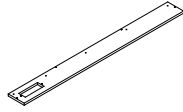
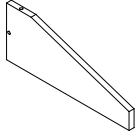
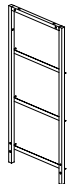
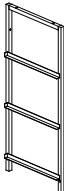
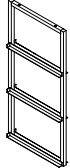


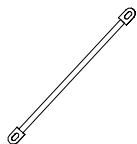
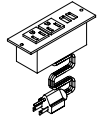
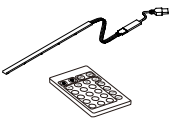

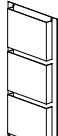
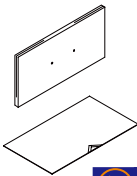




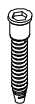








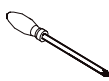
For convenience and safety, we recommend two people to assemble



Assemble it by selecting the drill to our manual mounting specifications

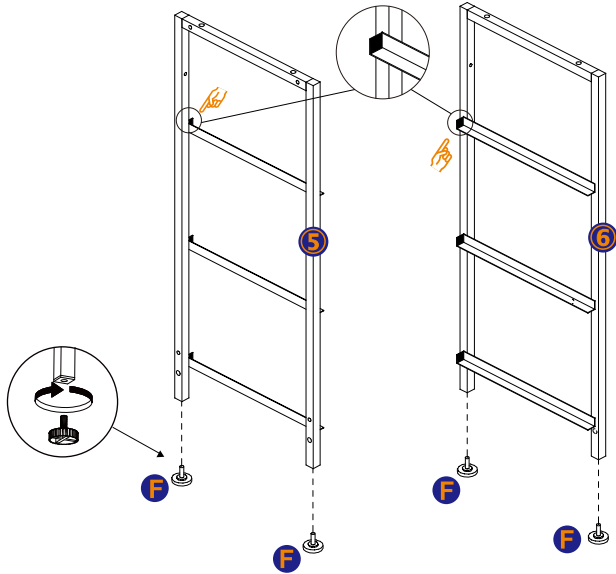
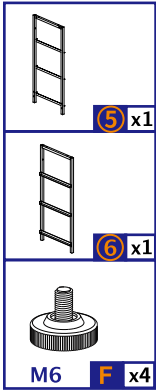
Parts List

 1 x1	 2 x1	 3 x1	 4 x2	 5 x1
 6 x1	 7 x2	 8 x1	 9 x1	 10 x4
 11 x1	 12 x1	 13 x1	 14 x1	 15 x9

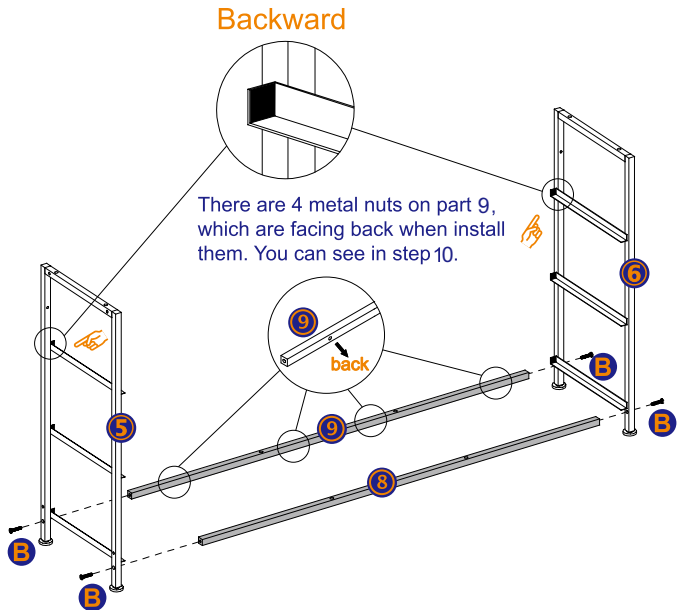
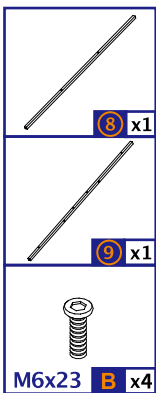
 M6x10 A x12	 M6x23 B x16	 M5x40 C x12	 M4x10 D x18	 M4x12 E x2
 M6 F x4	 G x9	 M6X30 X2 M4X50 X2 H x1	 M3X8 J x5	 M4
 M3				

Assembly Steps

STEP 1

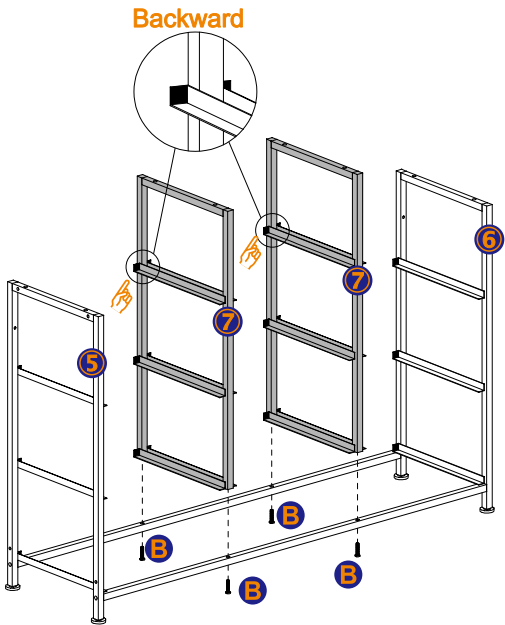
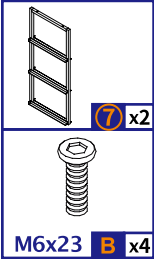


STEP 2

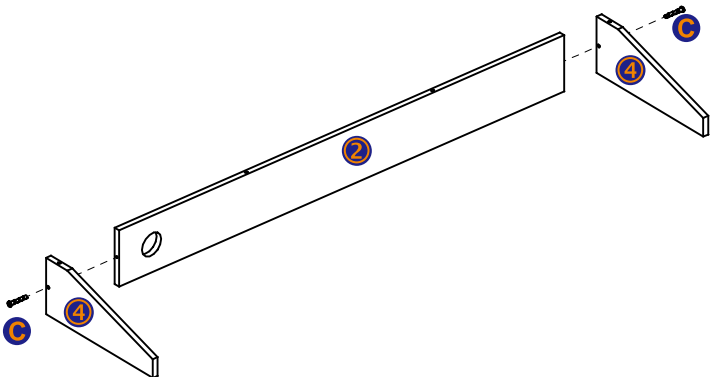
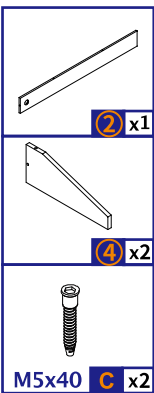


Assembly Steps

STEP 3

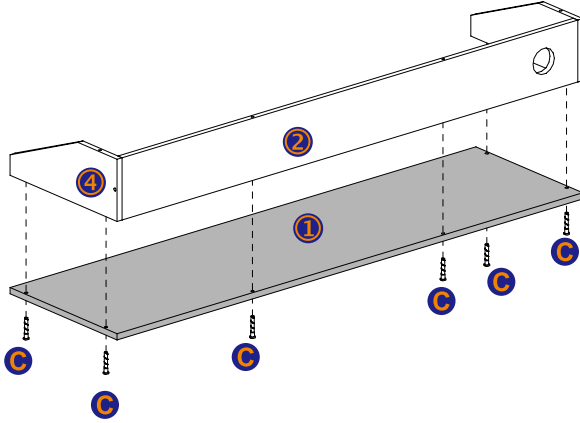
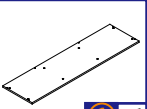


STEP 4

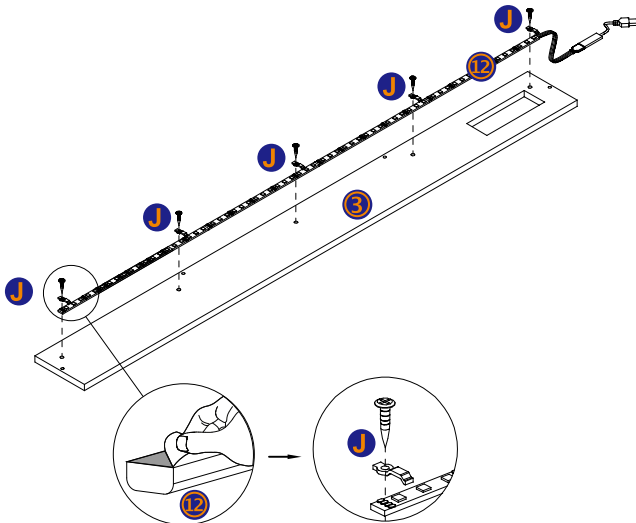
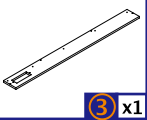


Assembly Steps

STEP 5



STEP 6

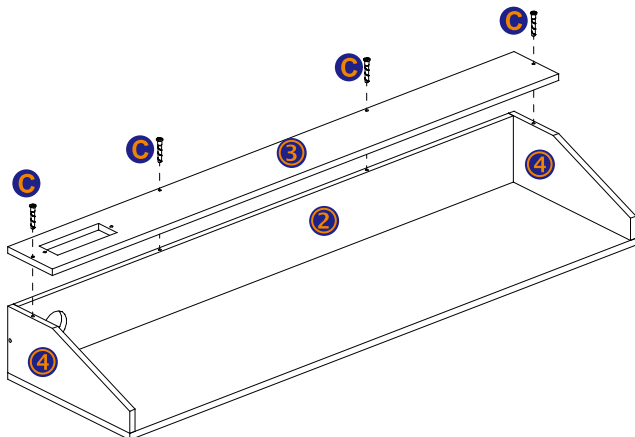


Assembly Steps

STEP 7



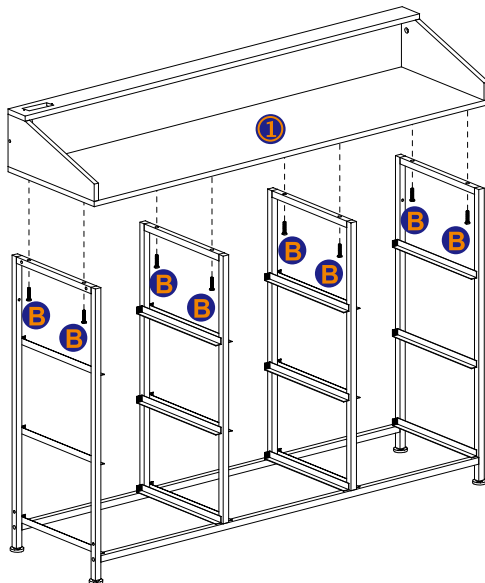
M5x40 C x4



STEP 8

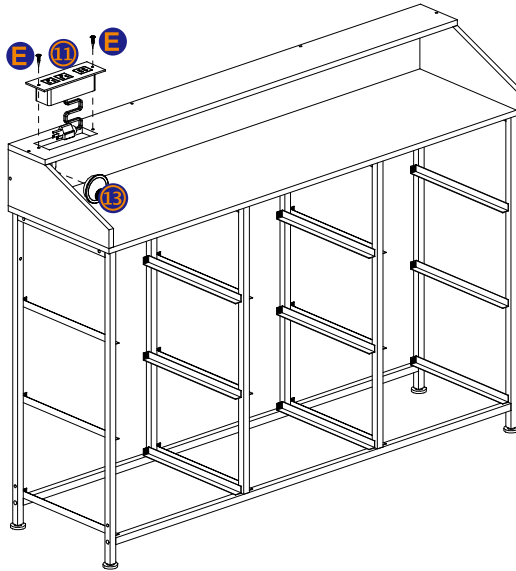
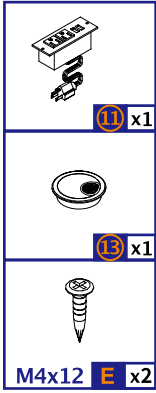


M6x23 B x8

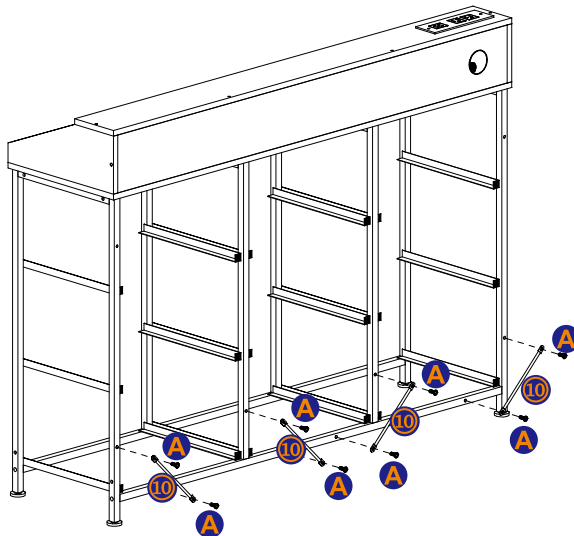
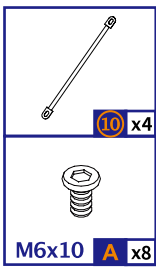


Assembly Steps

STEP 9

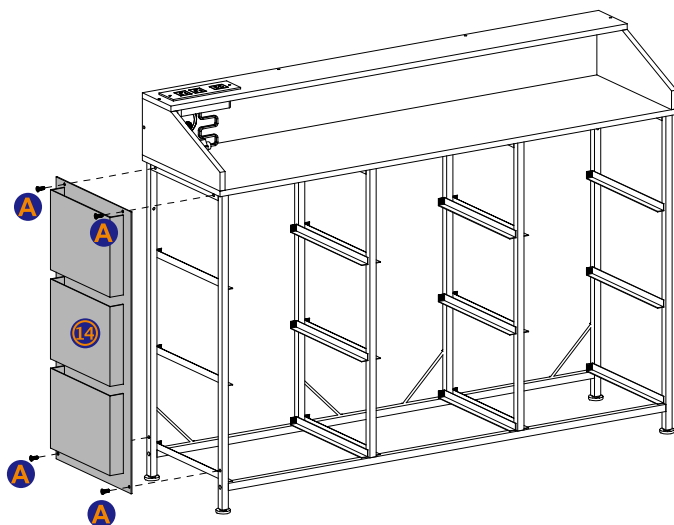
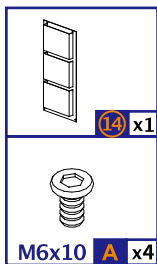


STEP 10

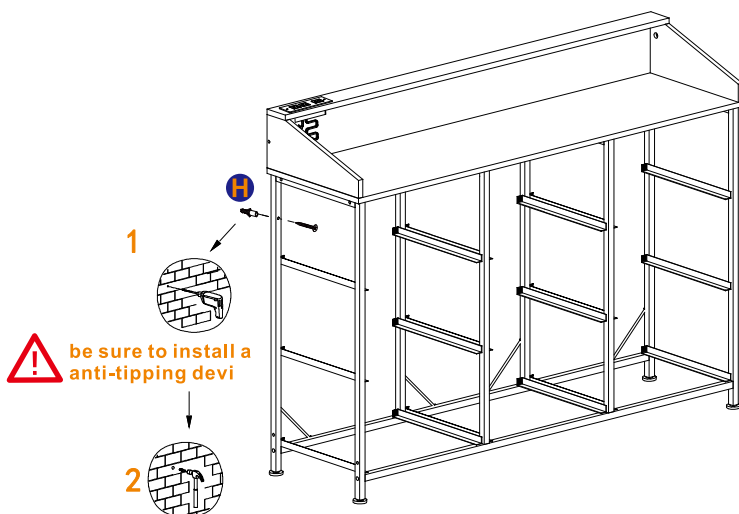
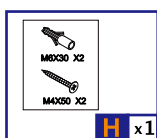


Assembly Steps

STEP 11 Part 14 can be interchanged left and right

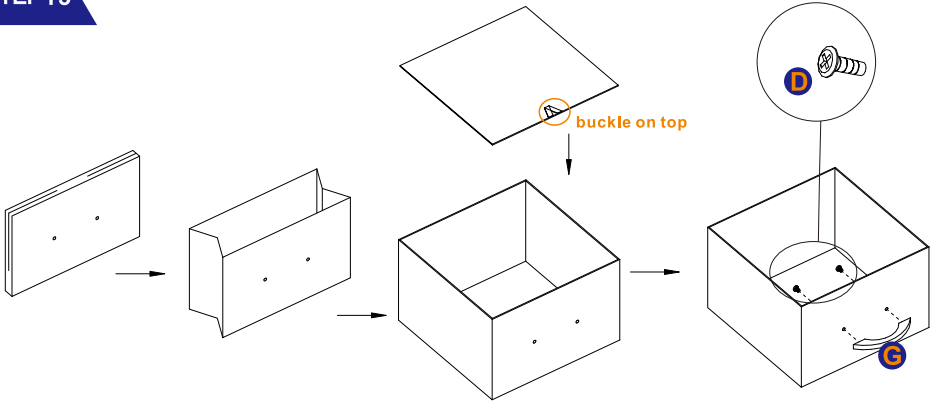


STEP 12

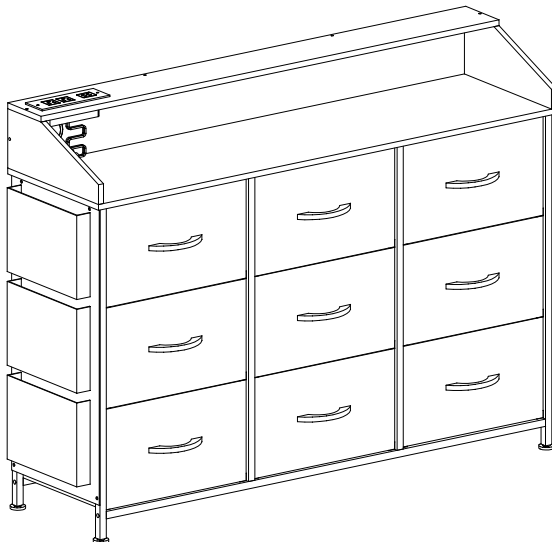


Assembly Steps

STEP 13



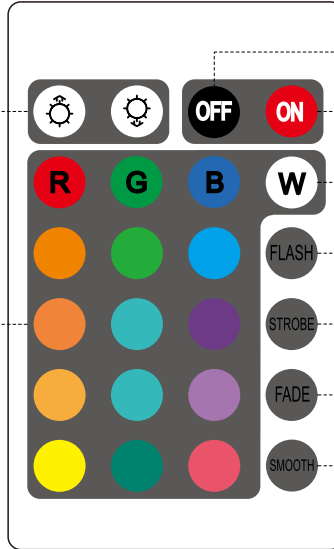
STEP 14



Instructions for use of the strip light

Brightness and speed adjustment buttons

Static monochrome



Close key

Power on/
playback pause

Static white effect

Jump effect

Strobe effect

Gradient effect

Smooth gradients

NOTE: To use the remote control, it must be pointed directly at the sensor on the light strip.

Quick Response within 24 Hours



If you are still unable to resolve the issue you are experiencing, please contact us immediately via our support email. It doesn't matter if the product has been installed or not, our customer support team will respond within 24 hours and assist you quickly and efficiently. The most efficient way to confirm your problem to us is to attach a video and photograph, which illustrates your product issues.

PROBLEMS YOU MAY ENCOUNTER

PART	PROBLEM	SOLUTION
ALL Product	Parts are missing, defective or having wrong parts in package	You can contact us via purchasing platform or reach us and we will get back to you within 24 hours.
	Having issue(s) while reading the instruction or completing the assembly.	You can contact us and we will get back to you within 24 hours. Or, you can reach us via after-sales email.
	Encountering non-human caused damage during usage.	If the product is damaged due to non-human causes, please keep the product and send us photos of it. We will ascertain the cause of the product damage within 48 hours and provide you with a satisfactory solution.
Fabric Dresser Surface	Board Surface is broken, scratched or lack of some screw holes.	You can contact us and we will get back to you within 24 hours. Or, you can reach us via after-sales email.
	The screw holes that Table on the board and the Surface steel frame don't line up.	1.Please tighten the screws on the board by 70%, do not tighten completely. 2.Adjusting board and steel frame until the screw holes are lined up, then tighten all the screws.
	The fabric dresser is uneven or not tight that has gaps after being assembled.	1. Loosen the screws in the uneven or gap positions; adjust until the desktops are flat and tight, and then tighten the screws. 2. If your problem still can't be solved, please feel free to contact us.
Steel Frame	The fabric dresser is uneven or not tight that has gaps after being assembled.	You can contact us and we will get back to you within 24 hours. Or, you can reach us via after-sales email.
	The product is unstable after being assembled.	1.Check if the screws are tightened. 2.Read throughout the manual, check are there any parts installed incorrectly or missing assembled. 3.If your problem still can't be solved, please feel free to contact us.
	Encountering non-human caused damage during usage.	If the product is damaged due to non-human causes, please keep the product and send us photos of it. We will ascertain the cause of the product damage within 48 hours and provide you with a satisfactory solution.
Drawer	Broken,dirty or missing	You can contact us and we will get back to you within 24 hours. Or, you can reach us via after-sales email.

 **WARNING**



Children have died from furniture tip over. To reduce the risk of furniture tip over:

ALWAYS install tip over restraint provided.

NEVER allow children to stand, climb or hang on drawers, doors, or shelves.

NEVER open more than one drawer at a time.

Place heaviest items in the lowest drawers.

MADE IN CHINA