

Reva showerhead manual
 Date : 20221107
 Designer : Miller Hsu
 Scale : 1:1

展開尺寸 : 86 * 20 CM
 紙張 : 150g雪銅
 印刷 : 雙面四色+1特色(紫)+雙面水平光
 加工 : W三摺

Change log
-20221001 - Version for digital print
20221019 - Content adjustment - Version for production mockup
20221024 - Size adjustment - Content adjustment - Paper material change, 180g特鋼 -> 150g 雪銅, thinner with better material, to avoid folding issue.
20221026 - Content adjustment
20221027 - Version for ok2fab
20221103 - Content adjustment
20221107 - Content adjustment

Contents

1. Before you begin
2. Quick installation
3. Let's shower
4. Temporary constant rinsing mode
5. Light indication guide

Backpage
 FAQ / Warranty



<https://www.oasense.com/>

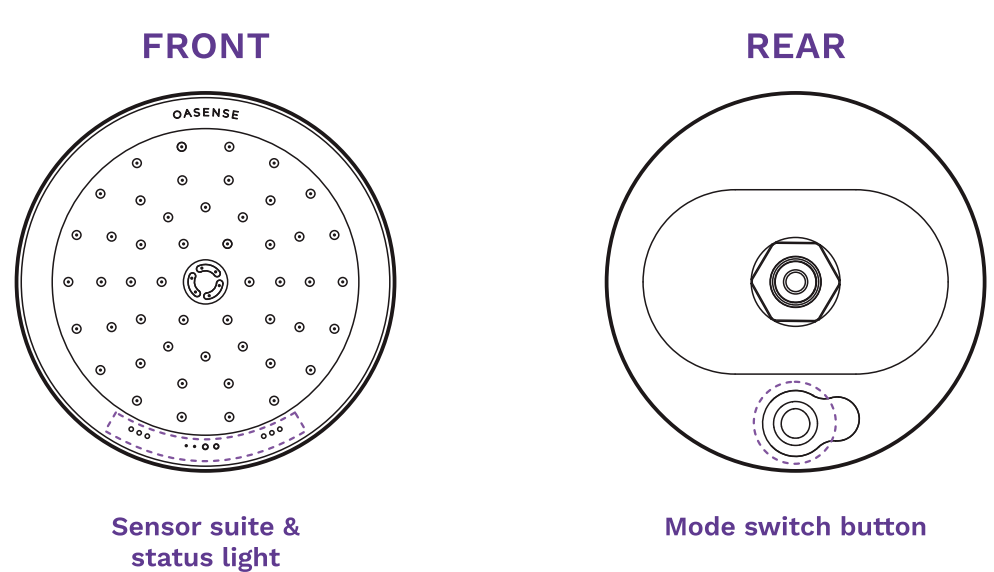
Specification

Flow rate : 1.8 GPM (6.8L/min)
 Material : Zinc Alloy, Brass, Polycarbonate, TPE
 Weight : 2.43 lbs (1.1 kg)
 Dimensions: 6.6" diameter, 3.76" height
 Sensing distance: up to 2.5 ft

CAN ICES-003(B) / NMB-003(B)
 ASME A112.18.1 / CSA B125.1
 This device complies with Part 15 of the FCC Rules. Operation is subject to the following two conditions:
 (1) This device may not cause harmful interference, and (2) this device must accept any interference received, including interference that may cause undesired operation.



Hardware introduction



Before you begin

Make sure that your shower stall or bath tub allows for enough room 48"(L) x 36"(W) to step back. This will help the sensors to be triggered by your movement.

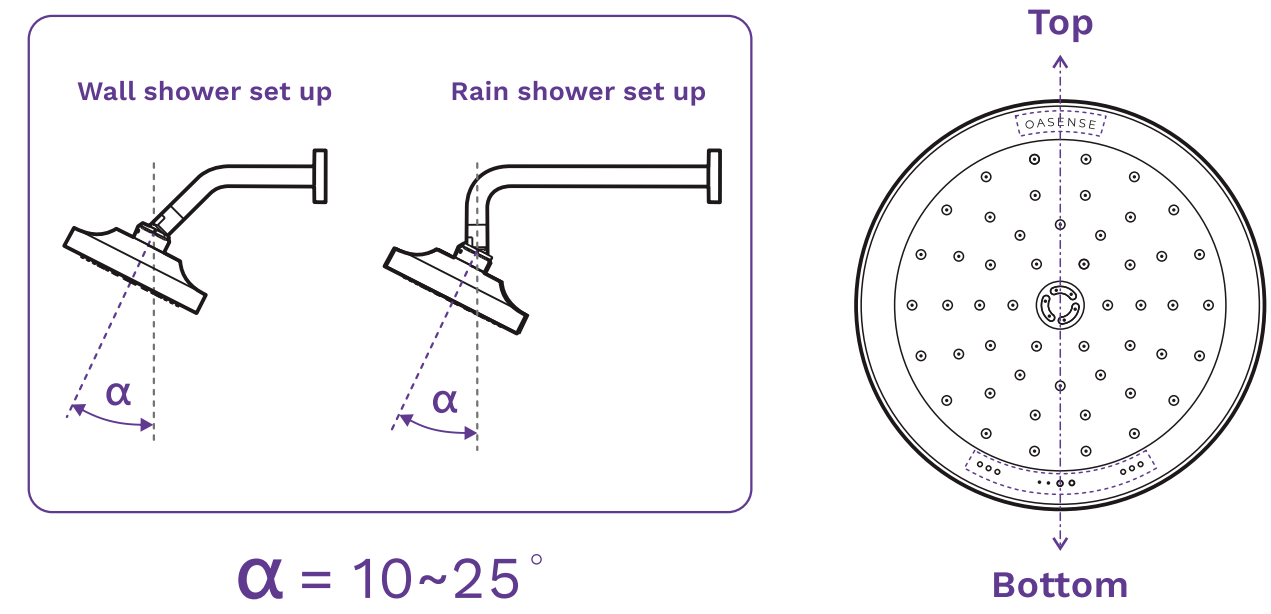
Bathrooms with lighter color schemes tend to provide the best conditions for Reva's sensors to work at their maximum efficiency. *Please note that darker bathrooms with insufficient lighting may reduce the sensors full capabilities.

Check that the base of your shower arm is no higher than 82" high, as this might impact the sensors ability to make an accurate estimation of your presence.

1

Quick installation

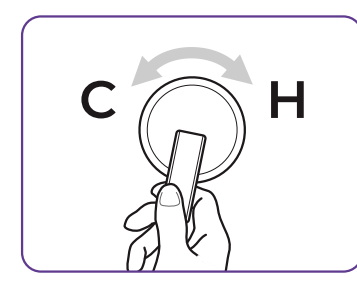
1. Start by removing your old showerhead from your shower arm.
2. Screw your Oasense Reva showerhead onto your existing shower arm.
3. If you need to tighten your showerhead onto your shower arm, use the mini wrench included in the box to assist you. If you prefer, you can also use a thread tape to assist installation.
4. Once installed, make sure that the **Oasense logo** is on the **top** side and that the **status light** is on the **bottom** side.
5. Angle the face of the showerhead slightly (at around 10-25 degrees) to ensure optimum sensor performance.



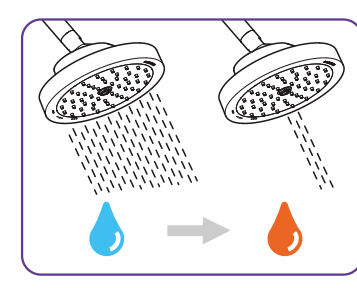
2

Let's shower

Step 1 : Initiate
 Turn on your bathroom ventilation and start your tap at your desired water temperature. There's no need to press any buttons to turn on your showerhead, as soon as the water begins your device will be activated.



Step 2 : Warm up
 The showerhead will purge the cold water and then automatically limit the flow to 15% once your temperature has been reached. Once the water flow reduces to minimum flow, your shower will be ready for you to step in.



Step 3 : Rinse
 Simply step towards your showerhead and be rewarded with 100% full pressure rinsing.



Step 4 : Interact
 Step back to start saving water. The flow rate will adjust automatically: reducing when you move back to soap up and resuming at full flow when you step forward again to rinse.
 *Your water temperature may fluctuate briefly when the device switches modes.



Step 5: Finish your shower
 When you're done with your shower, just turn off the water at your tap. After leaving your shower stall, your Reva showerhead will automatically power off after two minutes.

3

FAQ

Do I need to charge the showerhead?
 No, Reva has a built-in hydro turbine which harnesses its power from your running water.
 Try not to leave your Reva unused for periods of over 6 months as this can affect the longevity of the battery in your showerhead.

The showerhead isn't turning on?
 Check your plumbing to make sure that the shower arm supplying your Reva has at least 50 psi static pressure and 4 gpm flow rate.

How do I clean the Reva showerhead?
 You can clean your Reva just like any other showerhead. However, we would recommend not using corrosive cleaning solutions and try to use a soft cleaning cloth to maintain the polished chrome metal casing.

The sensing isn't working as I thought it would?
 There could be a number of reasons why the sensors aren't working as intended. Here are a few simple checks that you can do if you encounter an issue :

1. Check to see whether anything is in the sight of the showerhead sensor, for example, a hanging rack on a shower arm could cause some interference for the sensors.

2. Make sure your shower stall is well-lit and the setup fits the **Before you begin** section on page 1.

3. Make sure to step into the shower only after the warm up has completed. The sensors auto-calibrate throughout your shower, starting from the moment it's activated by water.

Warranty

Your Oasense Reva showerhead is protected by a 2 year manufacturing warranty. Just send in a digital copy of your proof of purchase (photo of receipt or online order number if purchased from the Oasense website) to get 12 months additional warranty for free. Upload your proof of purchase by scanning the QR code on the right or visit www.oasense.com/warranty

SCAN FOR WARRANTY



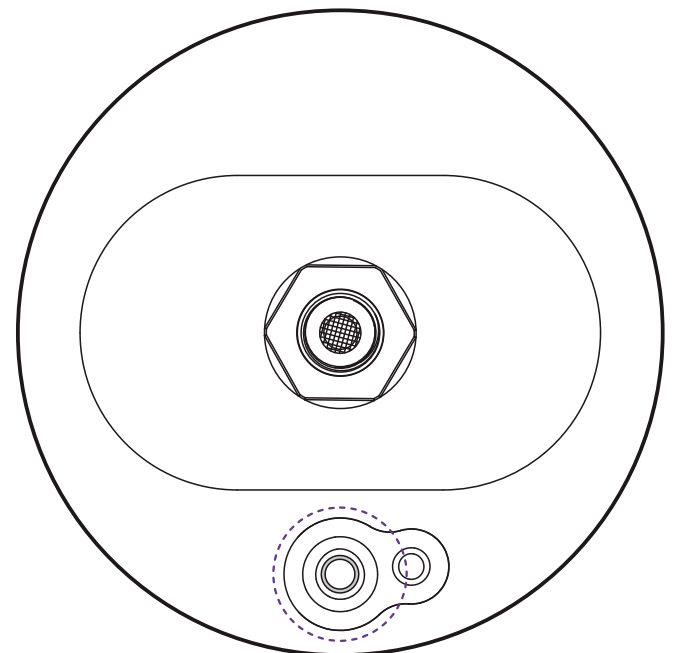
www.oasense.com/warranty

Need more help? Simply head over to our support page on our website for more information.

Temporary constant rinsing mode

You can temporarily disable the sensing feature to use Reva like a traditional showerhead. Simply press the large button on the back of the showerhead when the water is running.

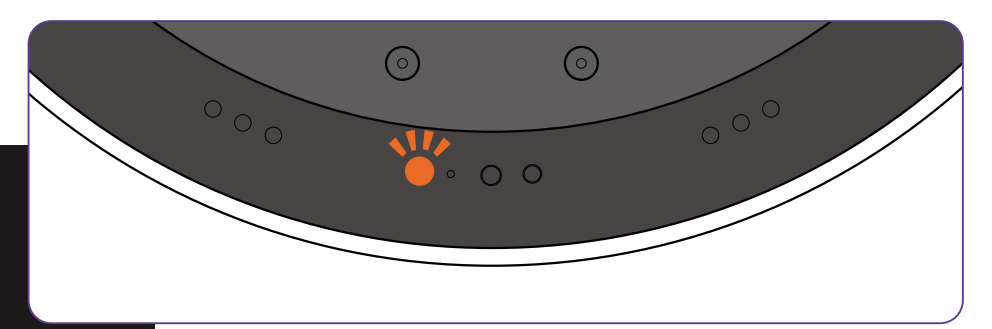
To switch back to smart water saving during your shower, just press the button on the back again. Your Reva will always start each shower with sensing enabled.



Mode switch button

4

Light indication guide



- Pulsing Amber** : Initiate / Warm up.
- Solid Teal** : Water is minimized / User stepped back.
- Solid White** : Full rinsing / User detected.
- Pulsing White** : Temporary constant rinsing.
- Solid Yellow** : After the water has been turned off, a solid yellow status light will show and the device will automatically turn off after 2 minutes. If for any reason the solid yellow light indicator appears during the full rinsing mode, you might need to check your household water pressure.
- Pulsing Red** : Low battery level. The device will remain in constant rinsing mode until the battery is sufficiently charged by your water.

5

OASENSE
REVA

'Reva means rain and is also associated with the idea of movement and beauty'

