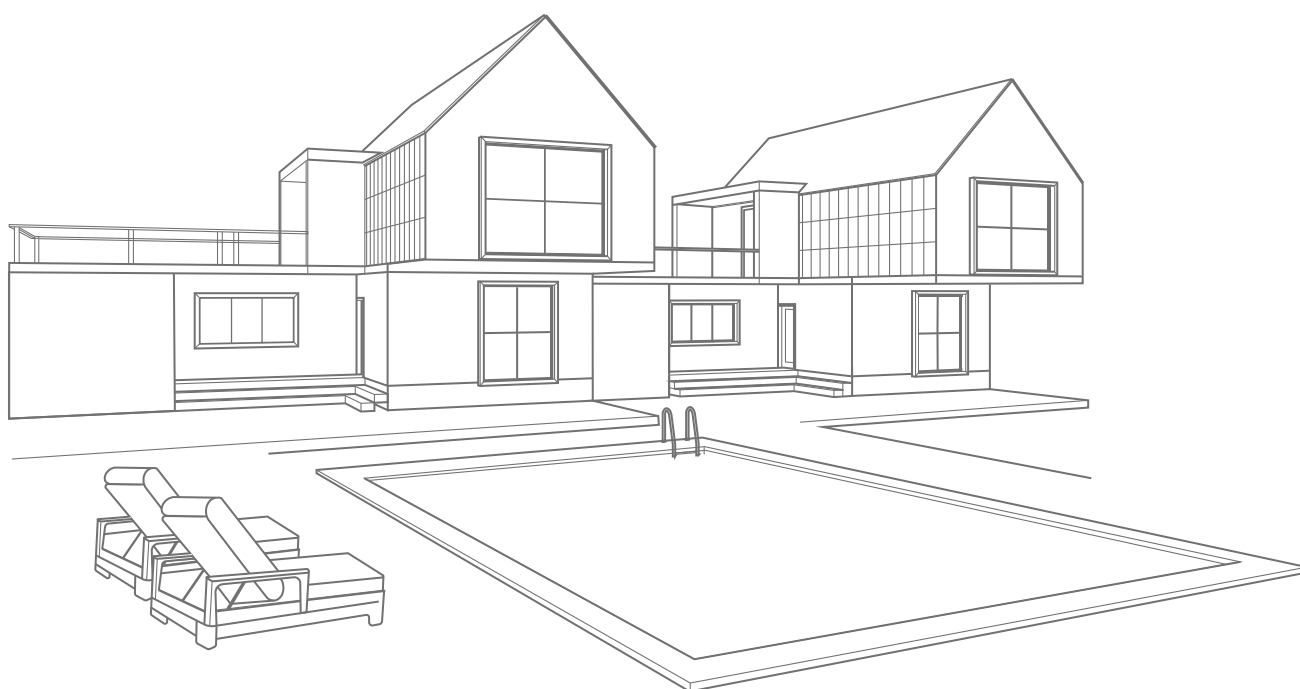


dresser

Product ID. 7AXBN



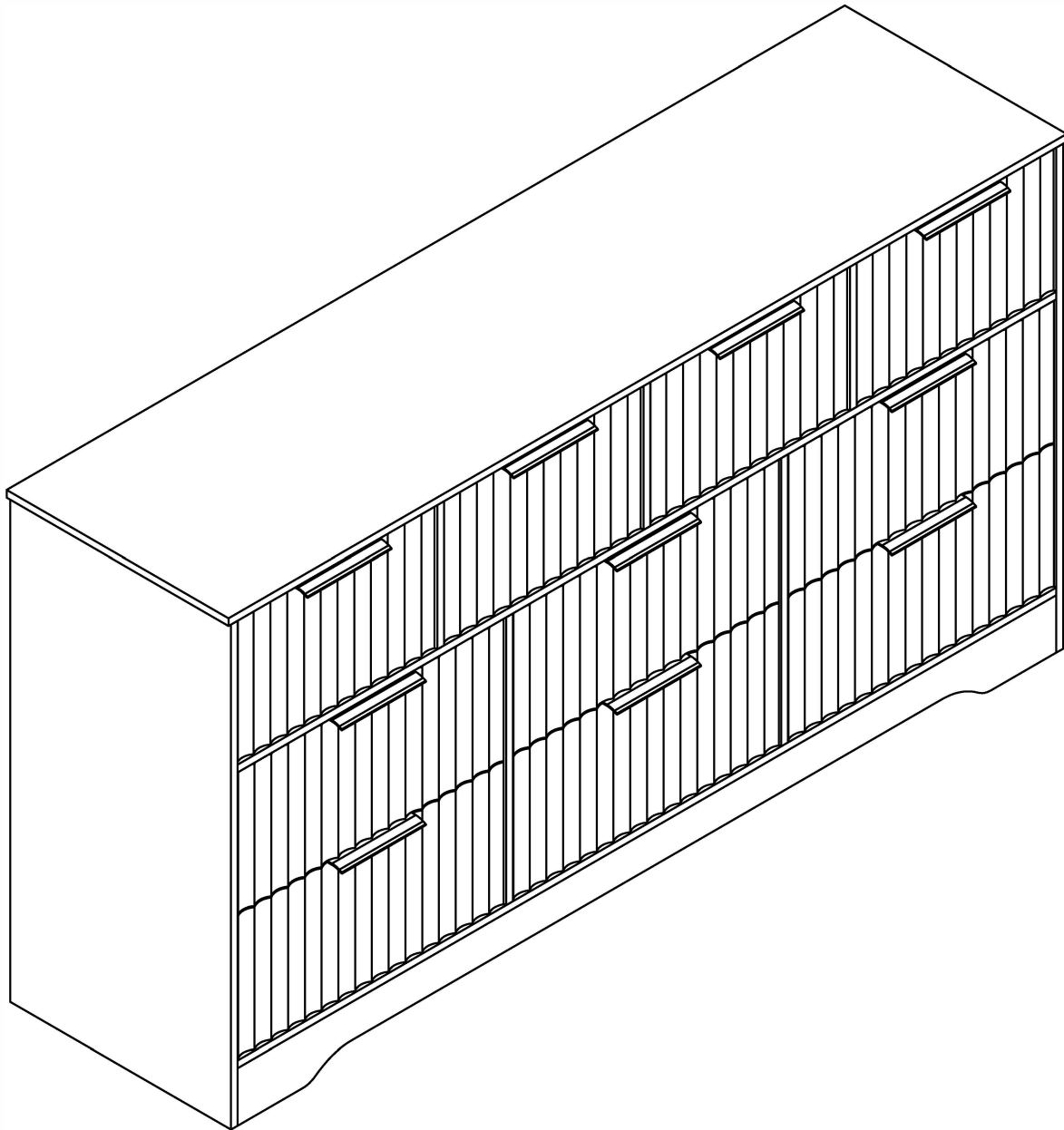
Scan for Support
support@garvee.com



Distributed by
GARVEE.com

V260522M5RN

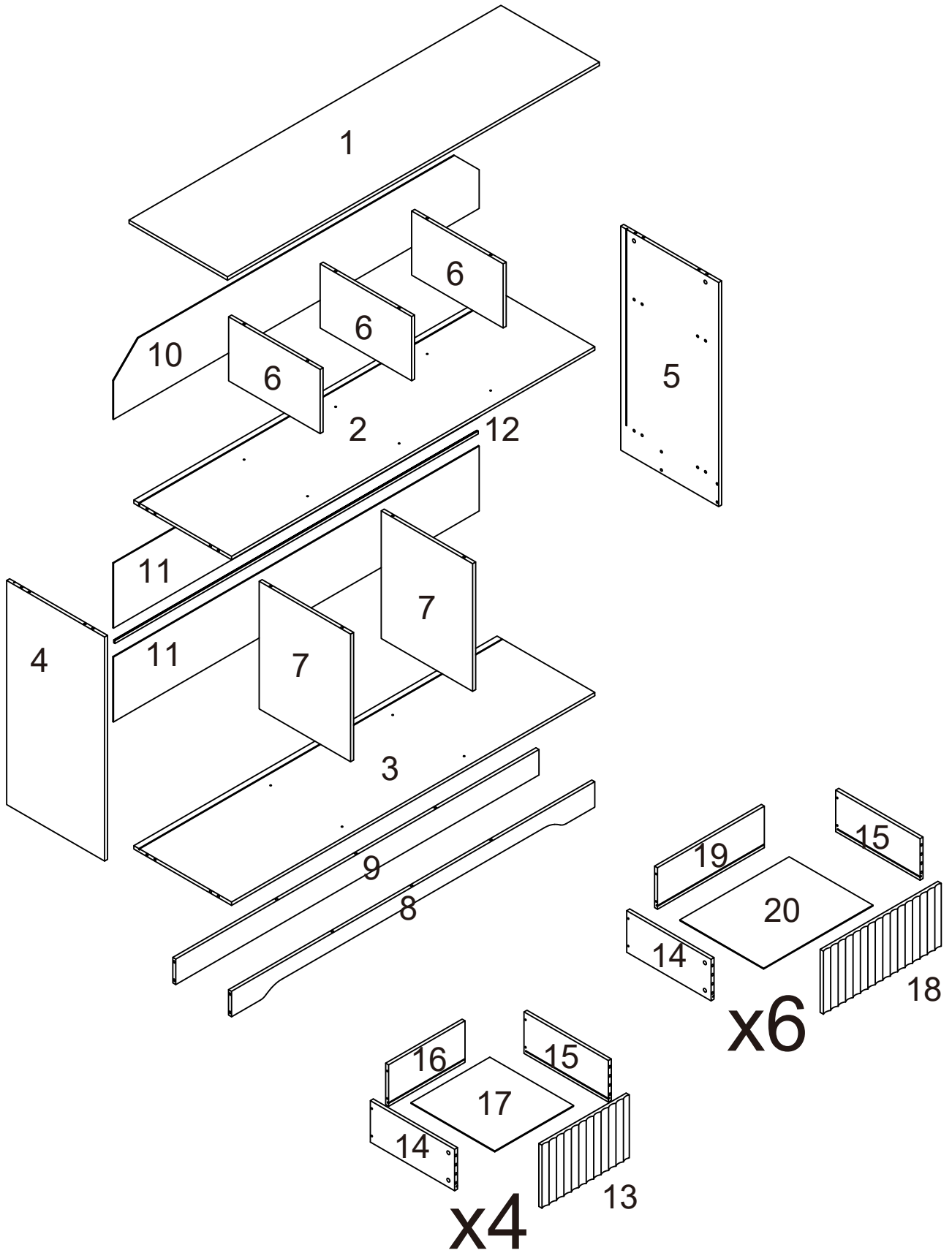
INSTALLATION INSTRUCTION



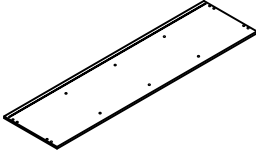
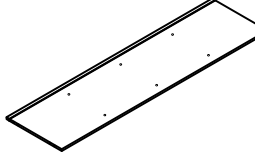
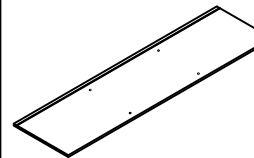
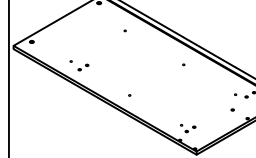
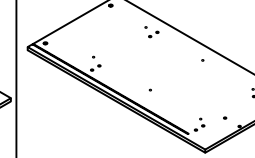
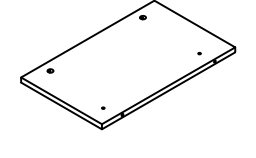
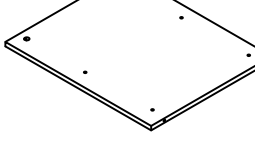
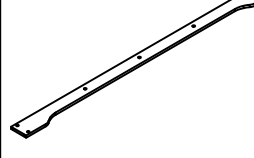
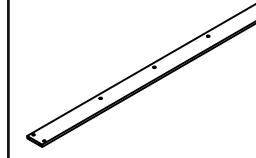
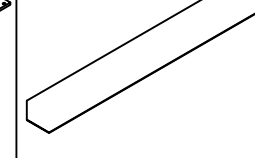
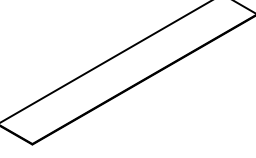
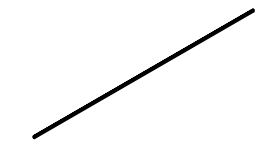
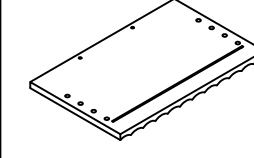
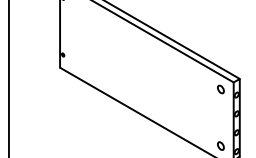
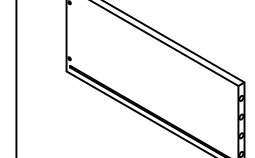
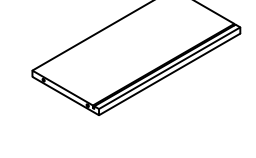
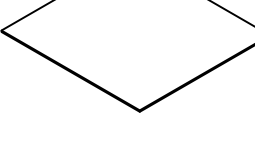
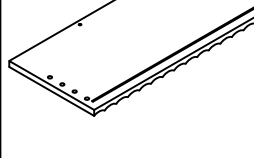
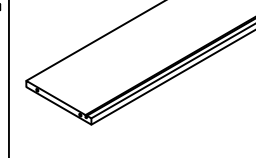
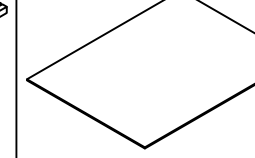
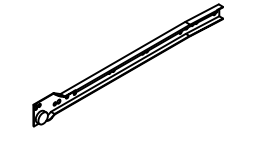
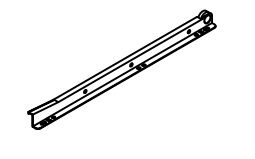
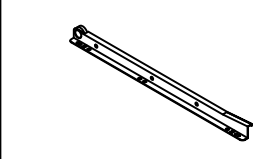
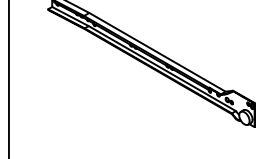
Thank you for purchasing our products. Please contact us if you have difficulty with assembly or need replacement parts. Our customer service is here to assist you. Please attach your User Name and Order ID so that we can assist you better.

support@garvee.com

BOARD IDENTIFICATION



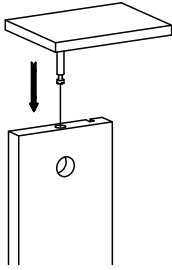
BOARD IDENTIFICATION

				
1X1	2X1	3X1	4X1	5X1
				
6X3	7X2	8X1	9X1	10X1
				
11X2	12X1	13X4	14X10	15X10
				
16X4	17X4	18X6	19X6	20X6
				
CLX10	DLX10	DRX10	CRX10	

BOARD IDENTIFICATION

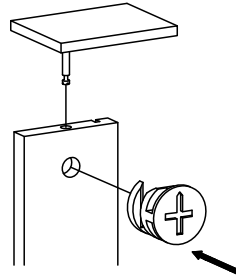
Installation of Eccentric Wheel Nut Set

1



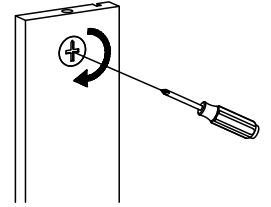
Screw the end of cambolt on the board, find the corresponding board and insert the other end.

2

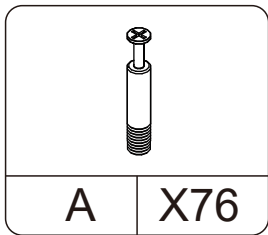


Stuff the camlock into the round hole. The arrow points to the cambolt.

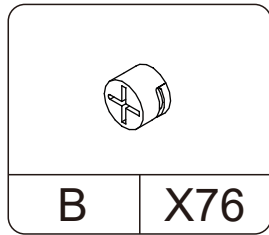
3



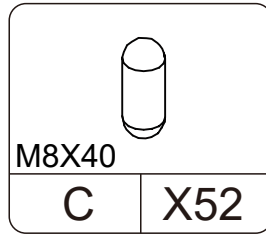
Turn clockwise about 180° to lock the plate.



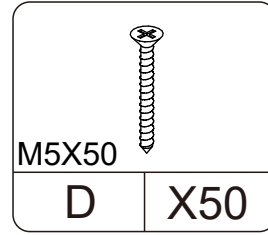
Cam bolt



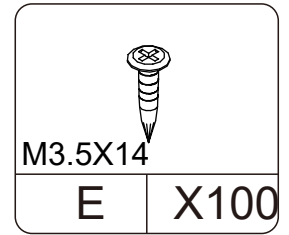
Cam lock



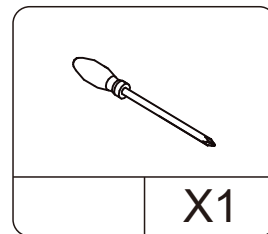
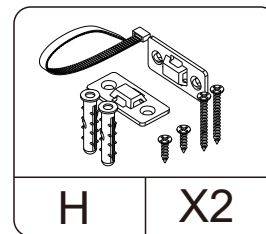
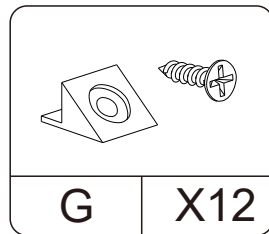
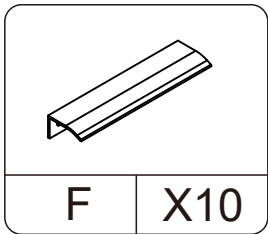
Screws



Screws

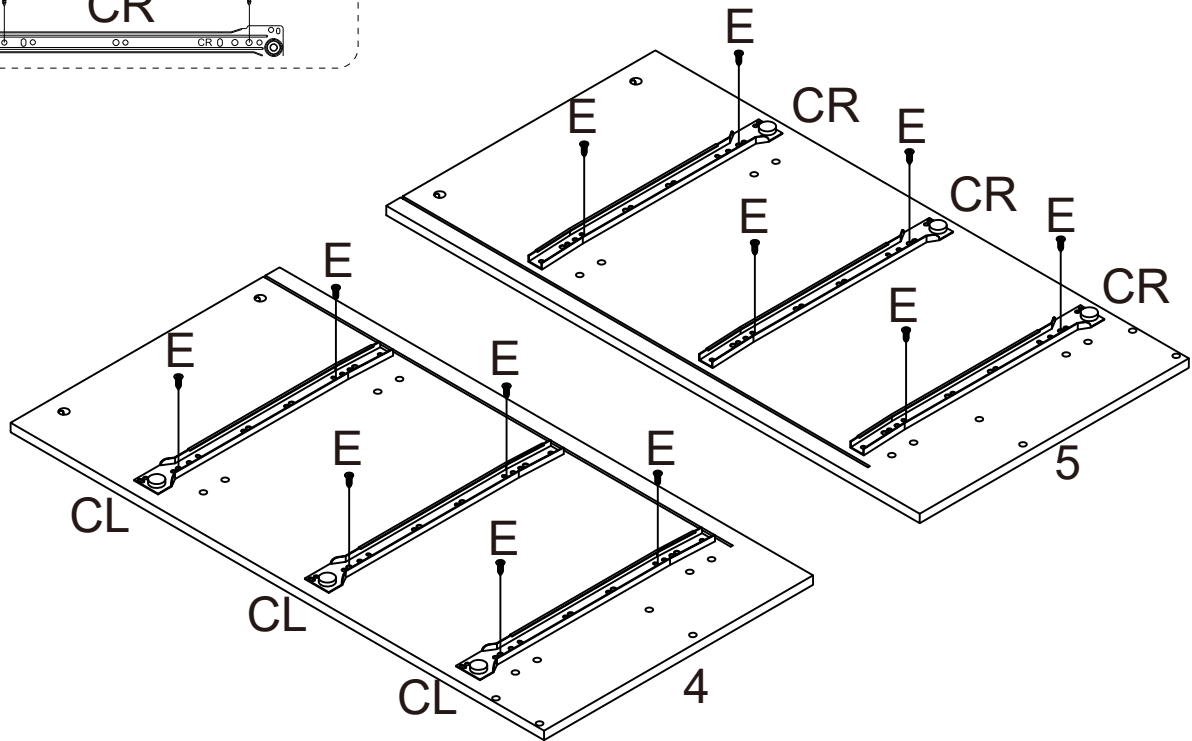
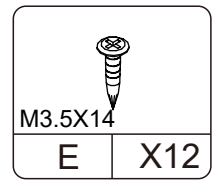
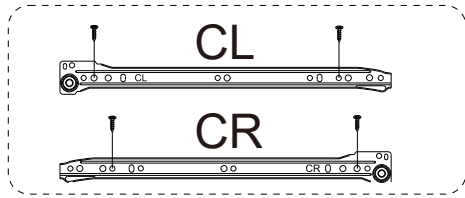


Screws

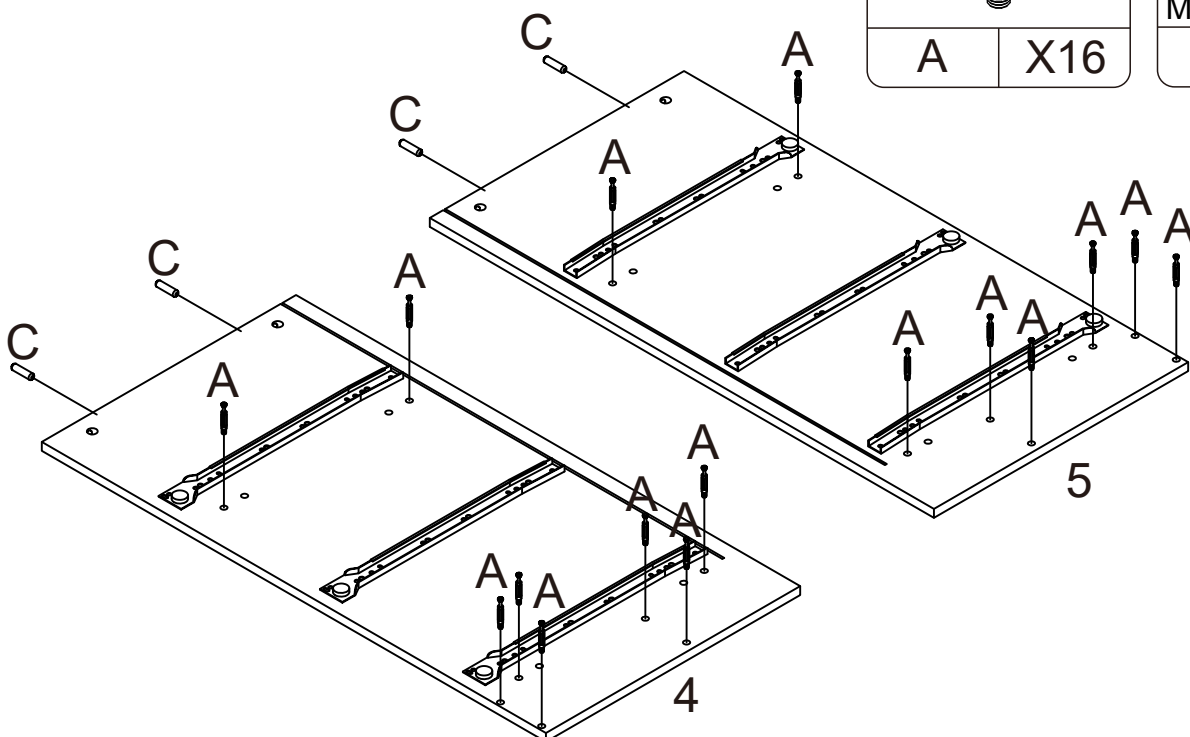
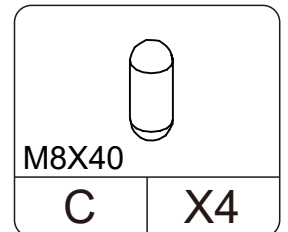
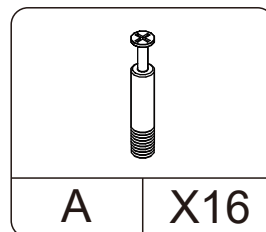


INSTALLATION STEPS

STEP1:

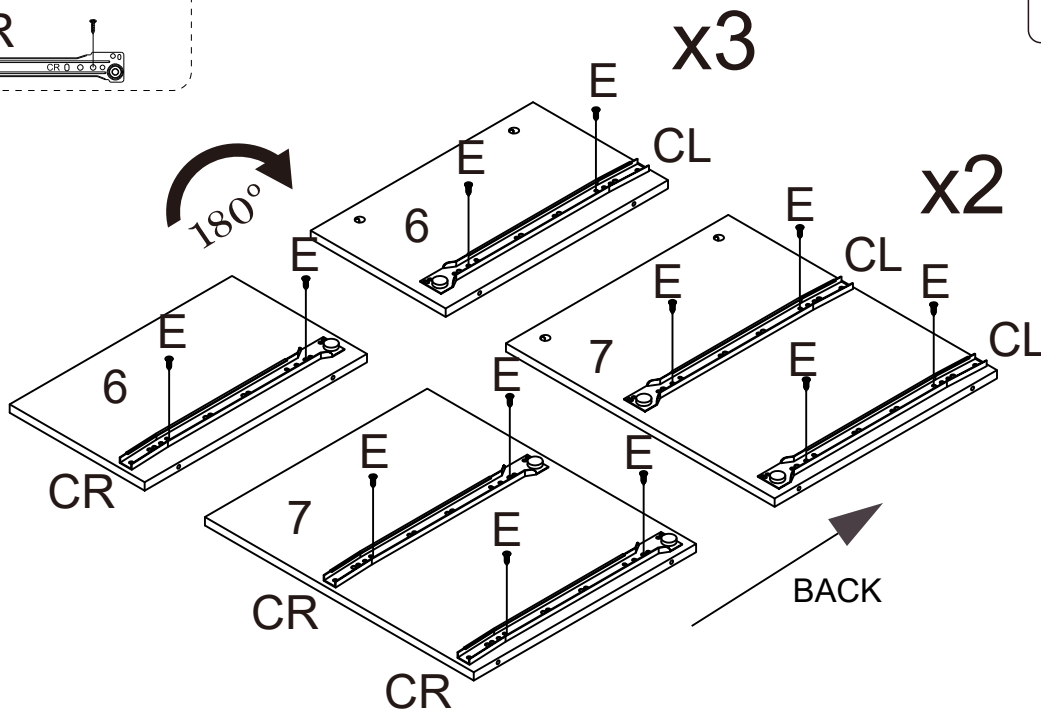
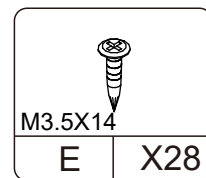
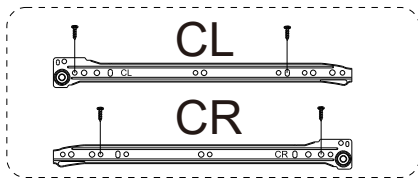


STEP2:

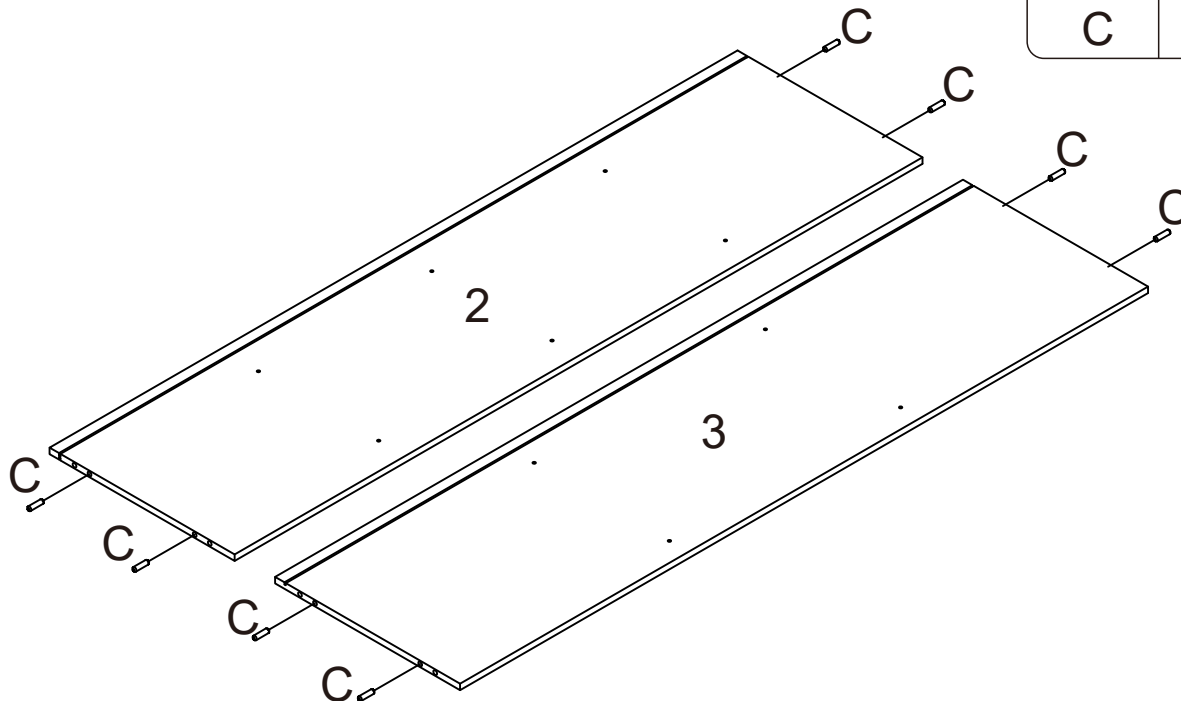
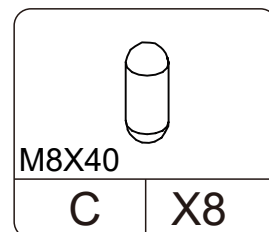


INSTALLATION STEPS

STEP3:

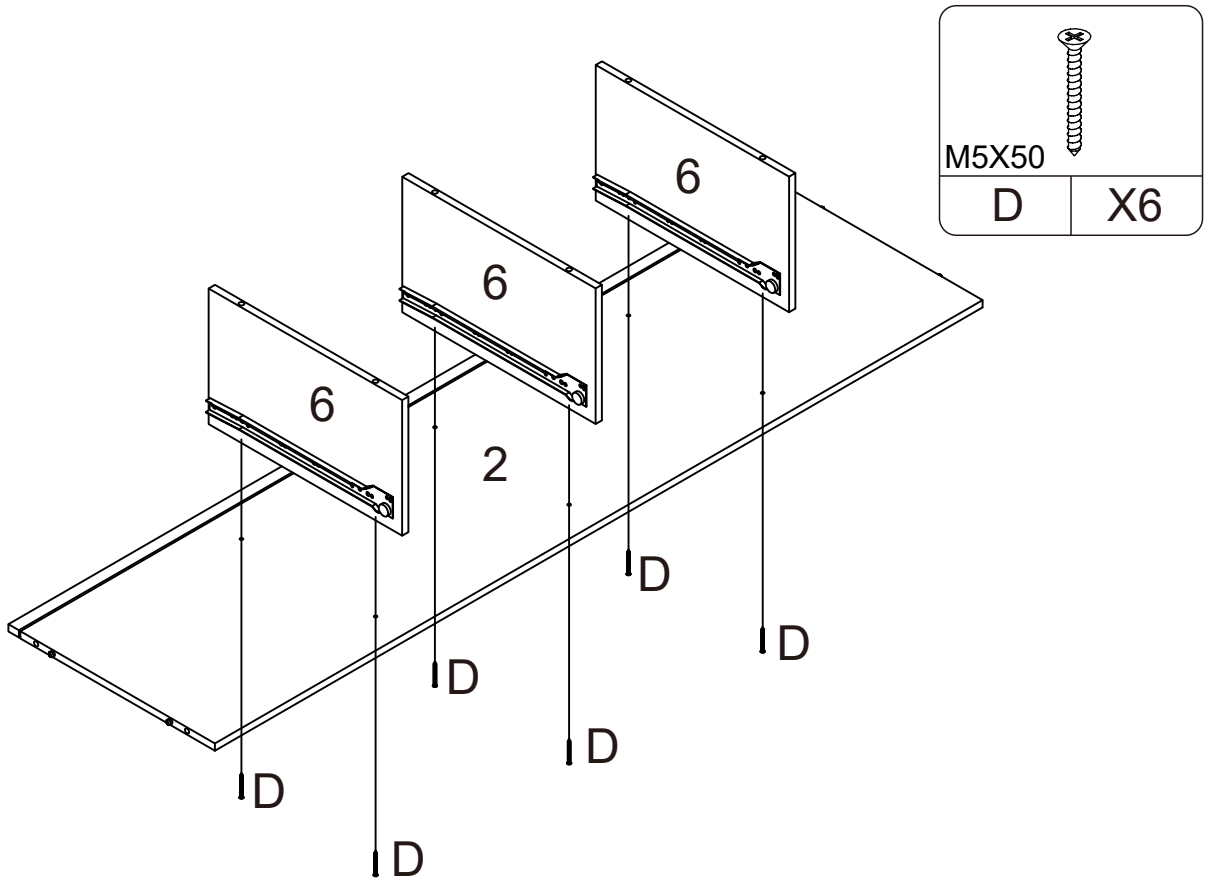


STEP4:

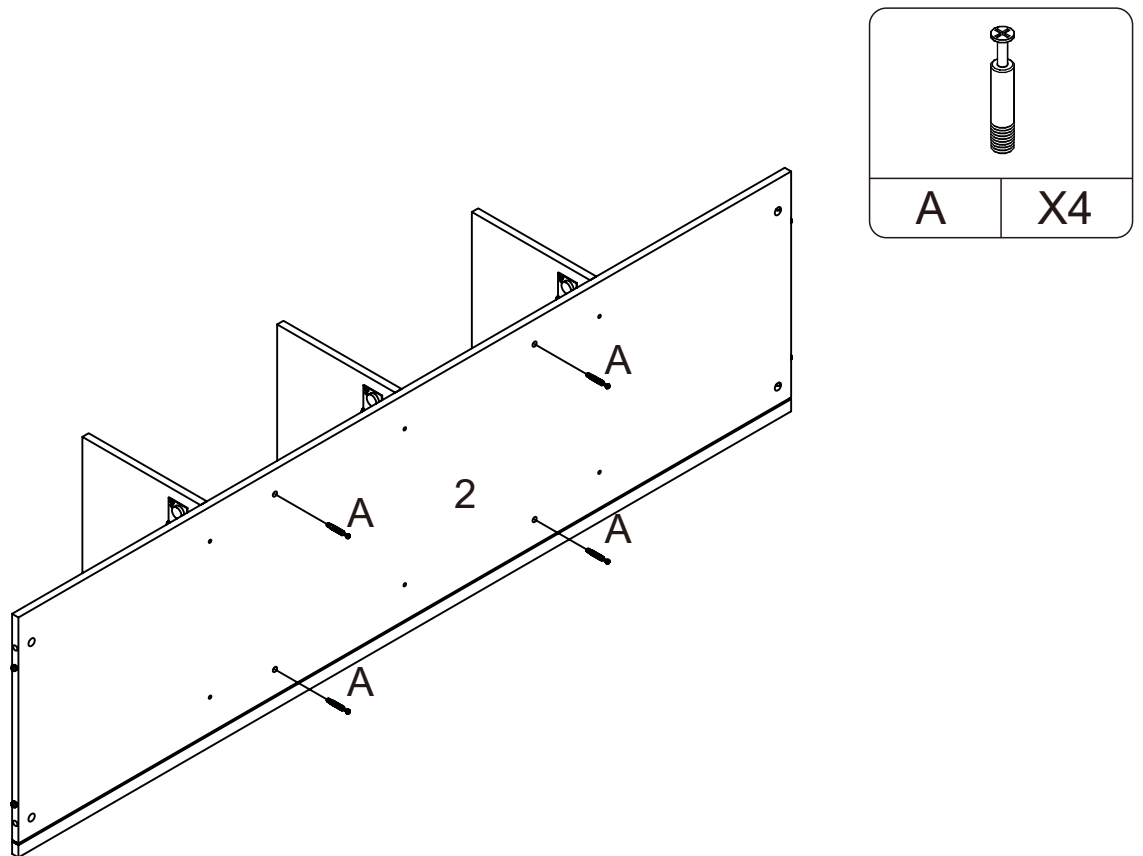


INSTALLATION STEPS

STEP5:

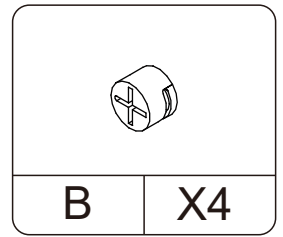
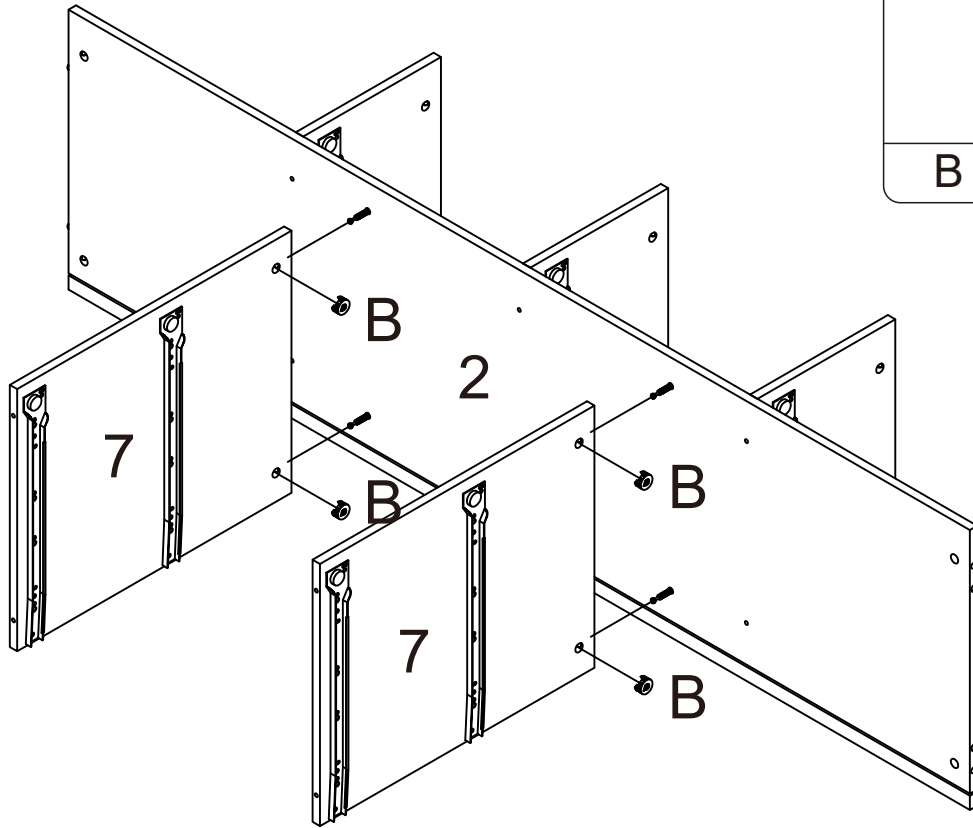


STEP6:

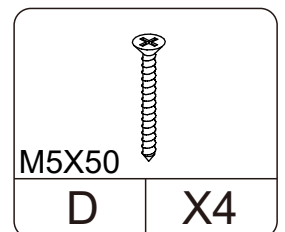
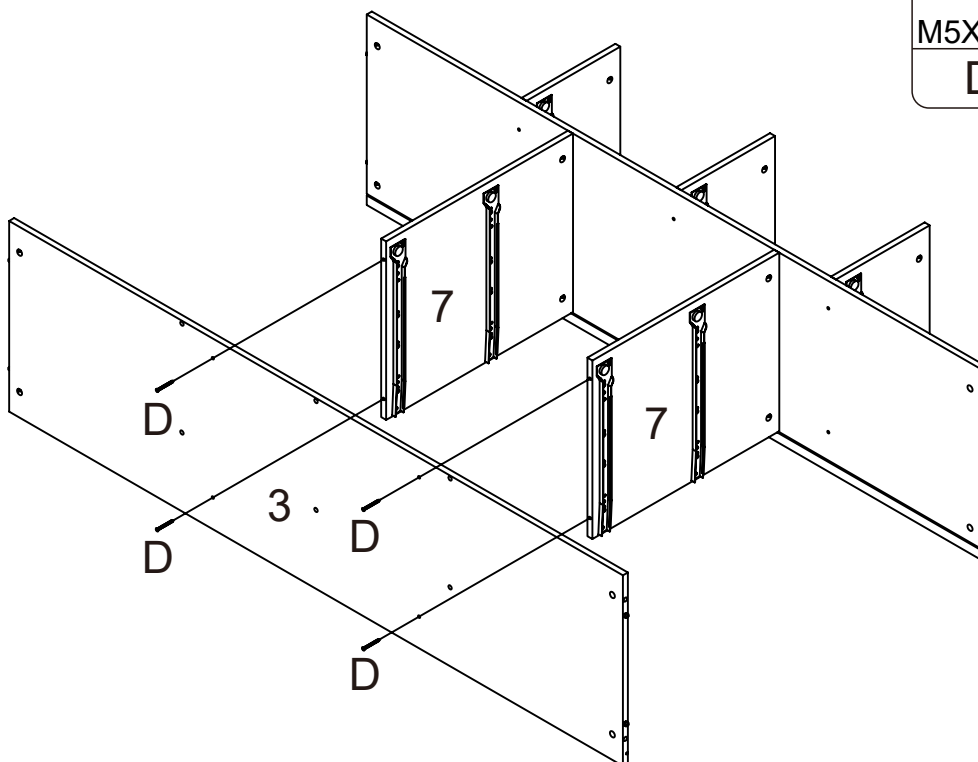


INSTALLATION STEPS

STEP7:

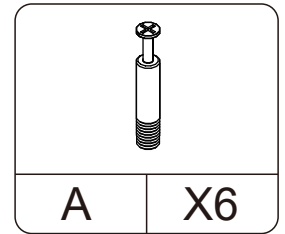
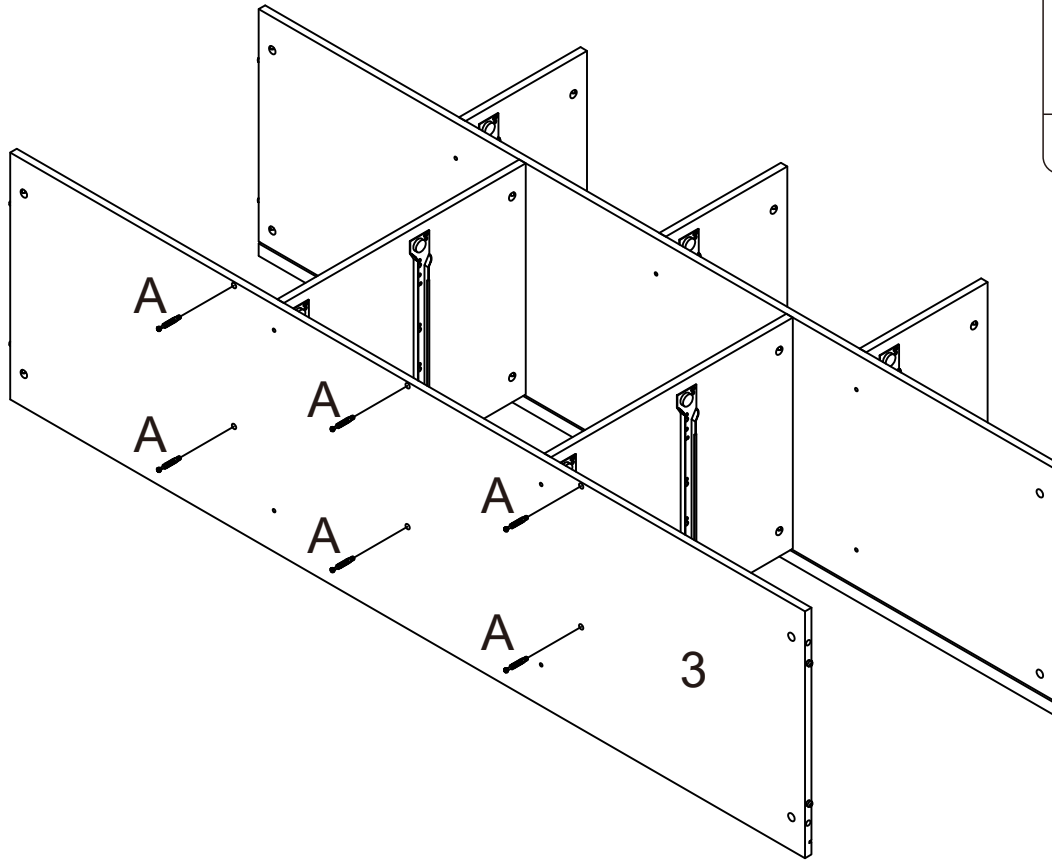


STEP8:

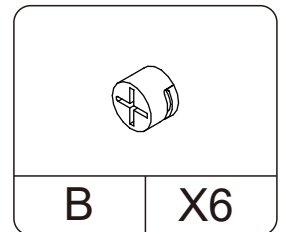
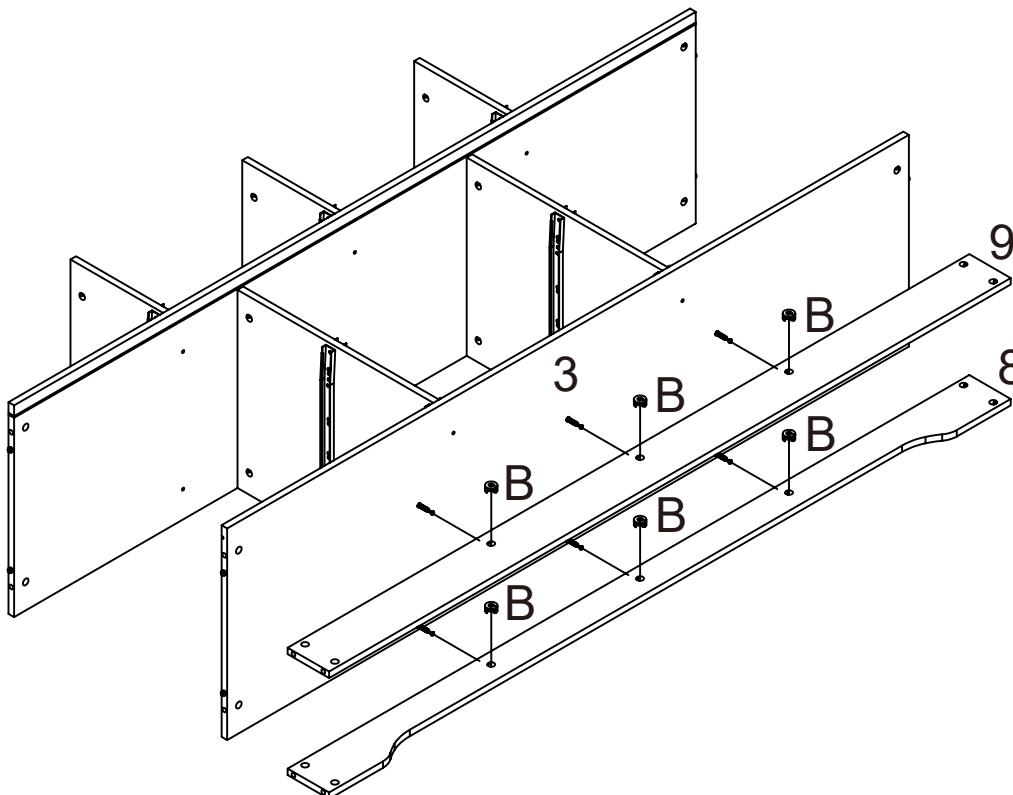


INSTALLATION STEPS

STEP9:

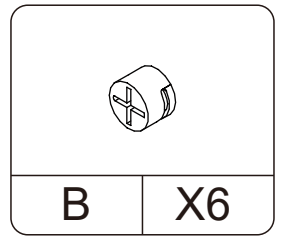
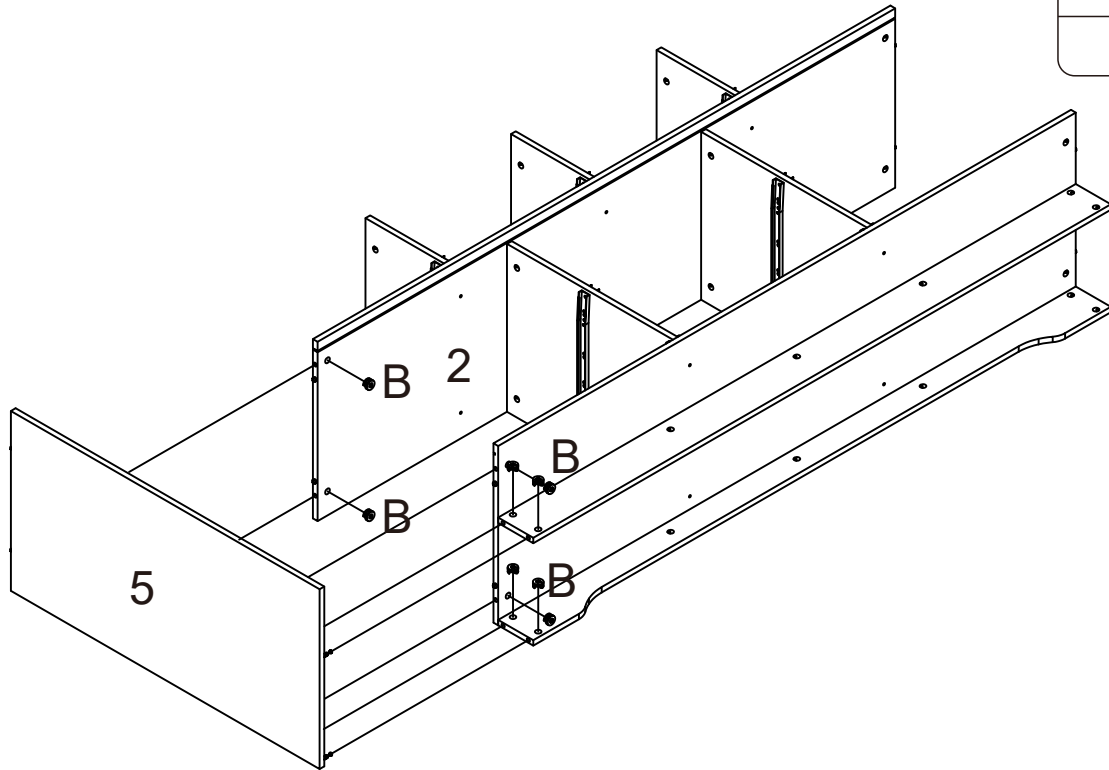


STEP10:

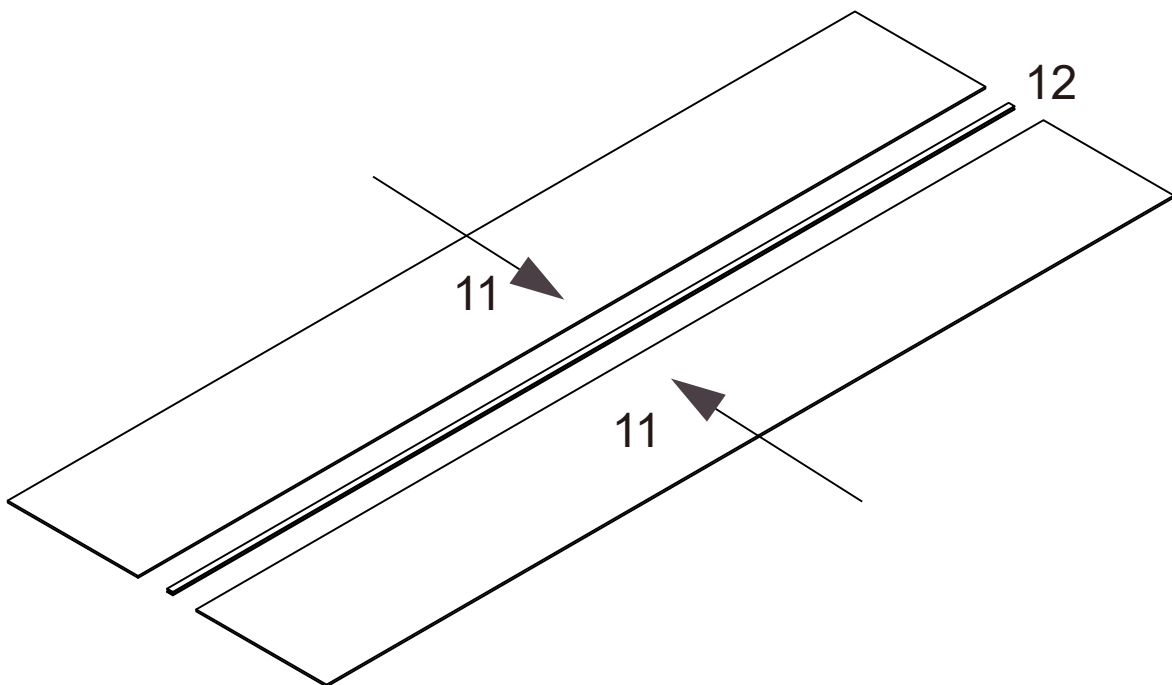


INSTALLATION STEPS

STEP11:

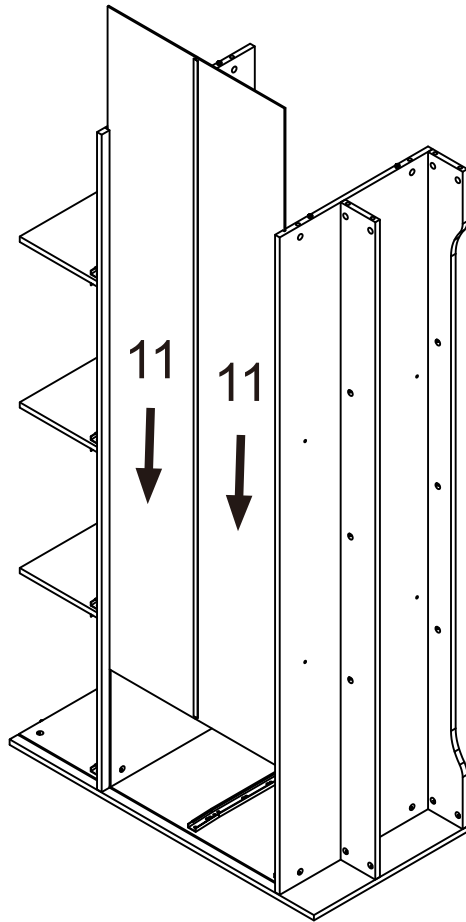


STEP12:

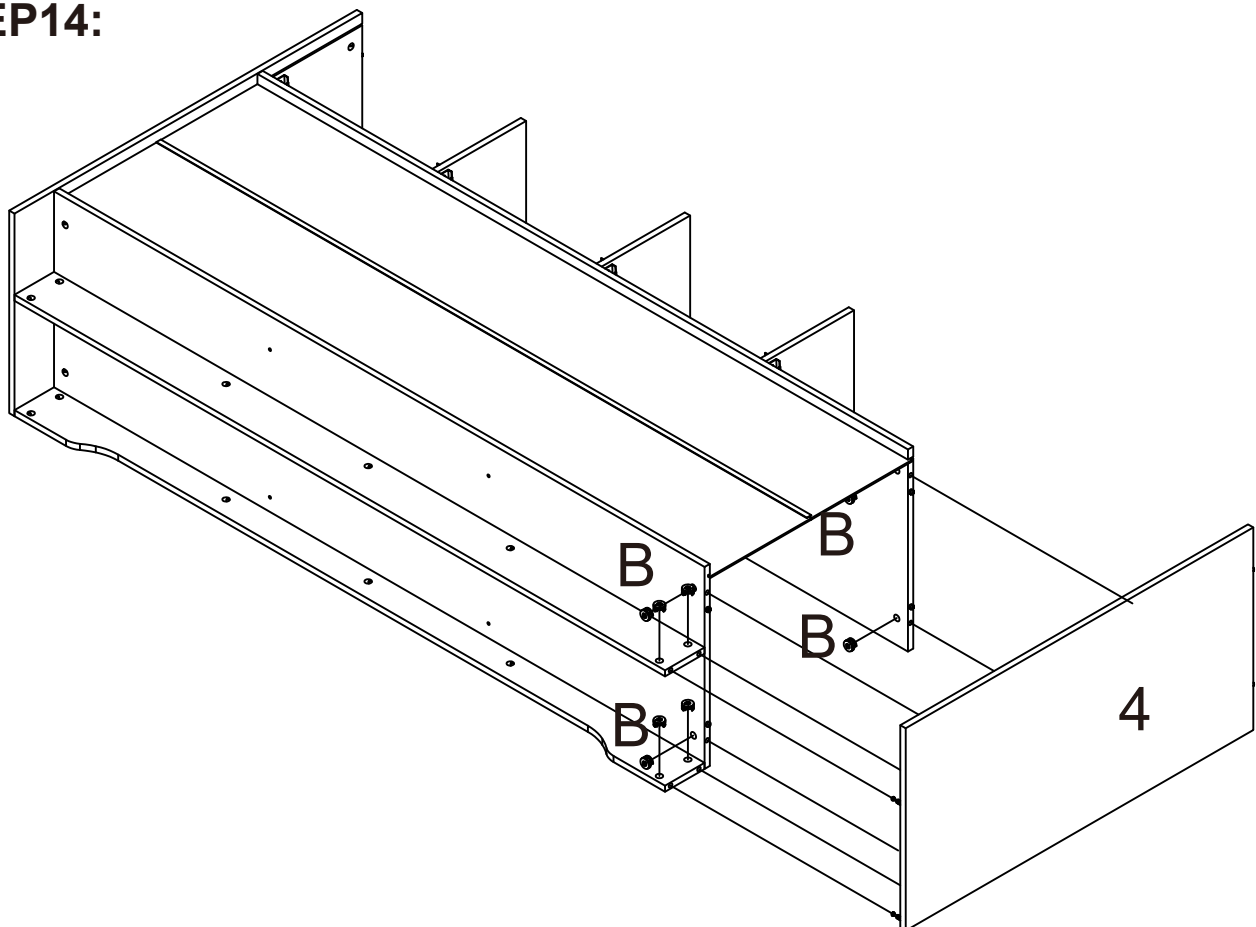


INSTALLATION STEPS

STEP13:

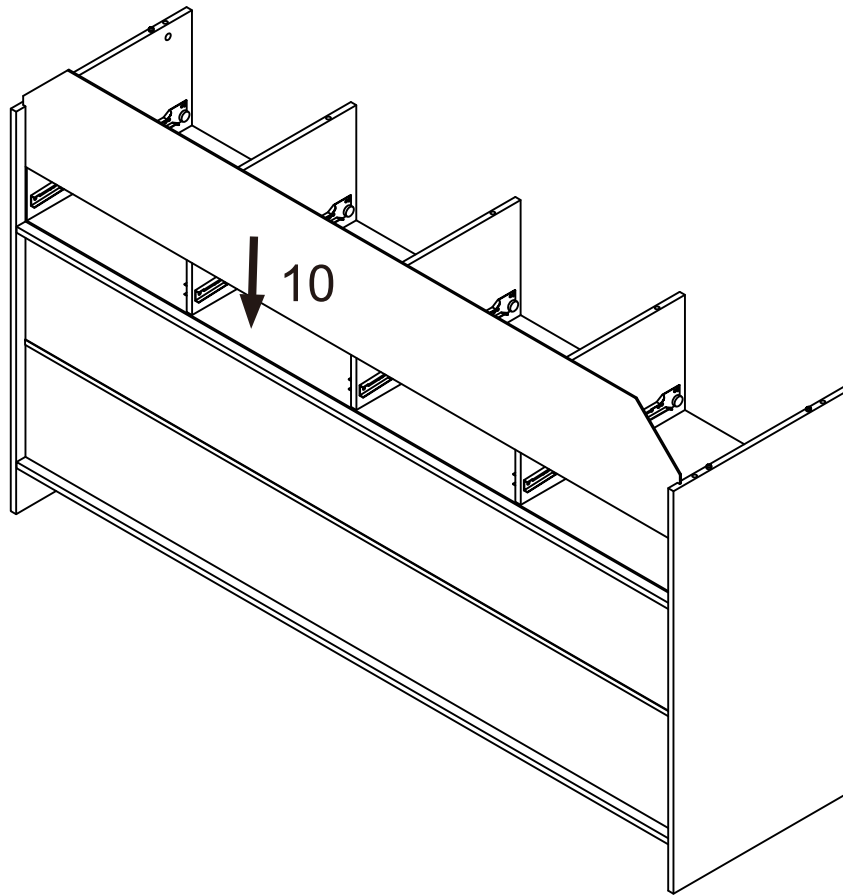


STEP14:

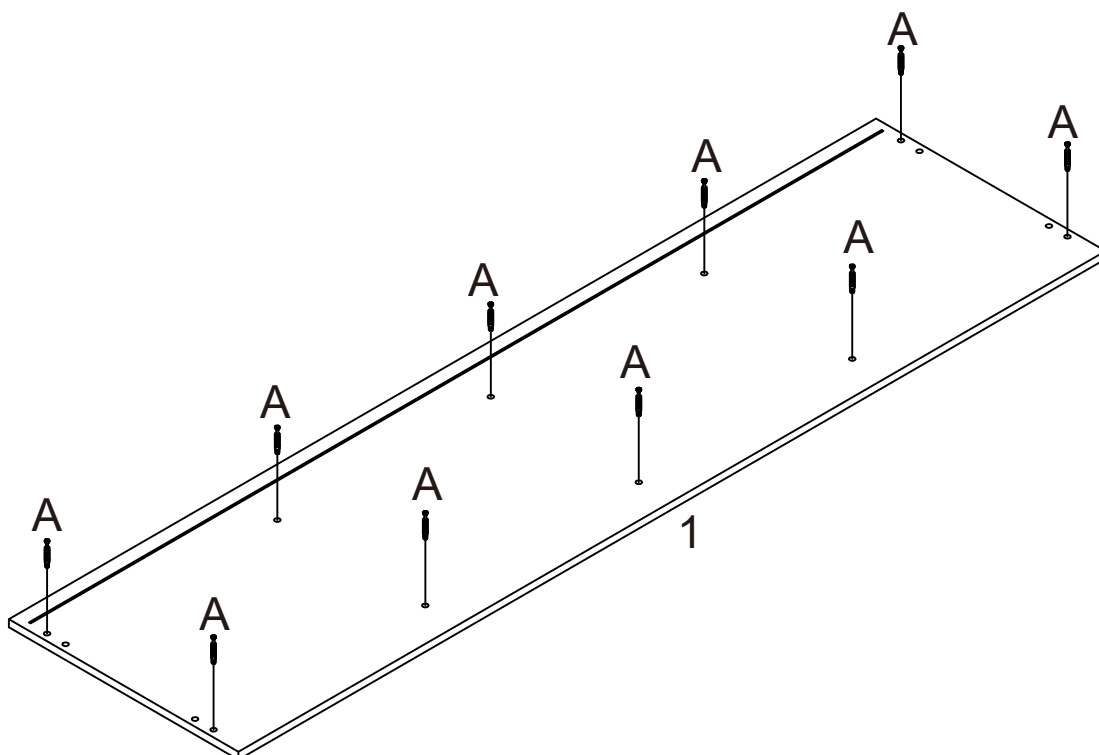
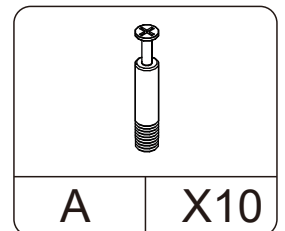


INSTALLATION STEPS

STEP 15:

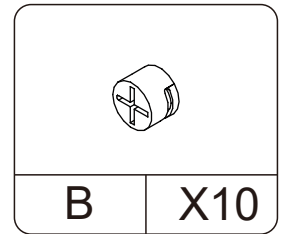
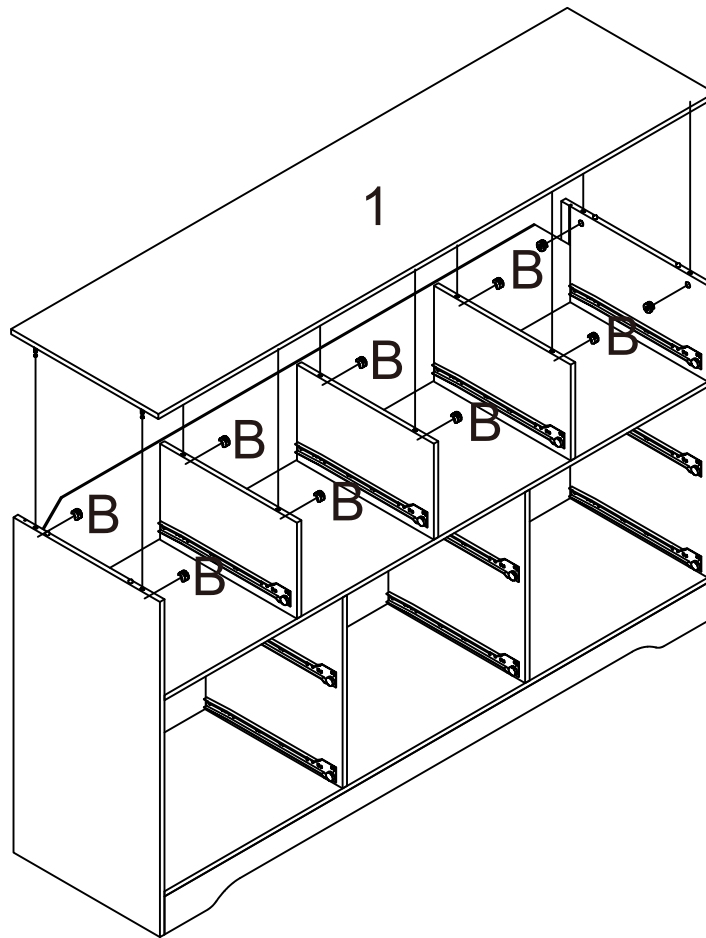


STEP 16:

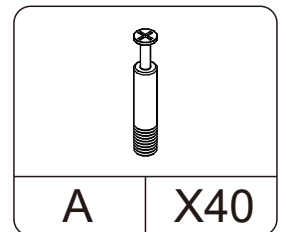
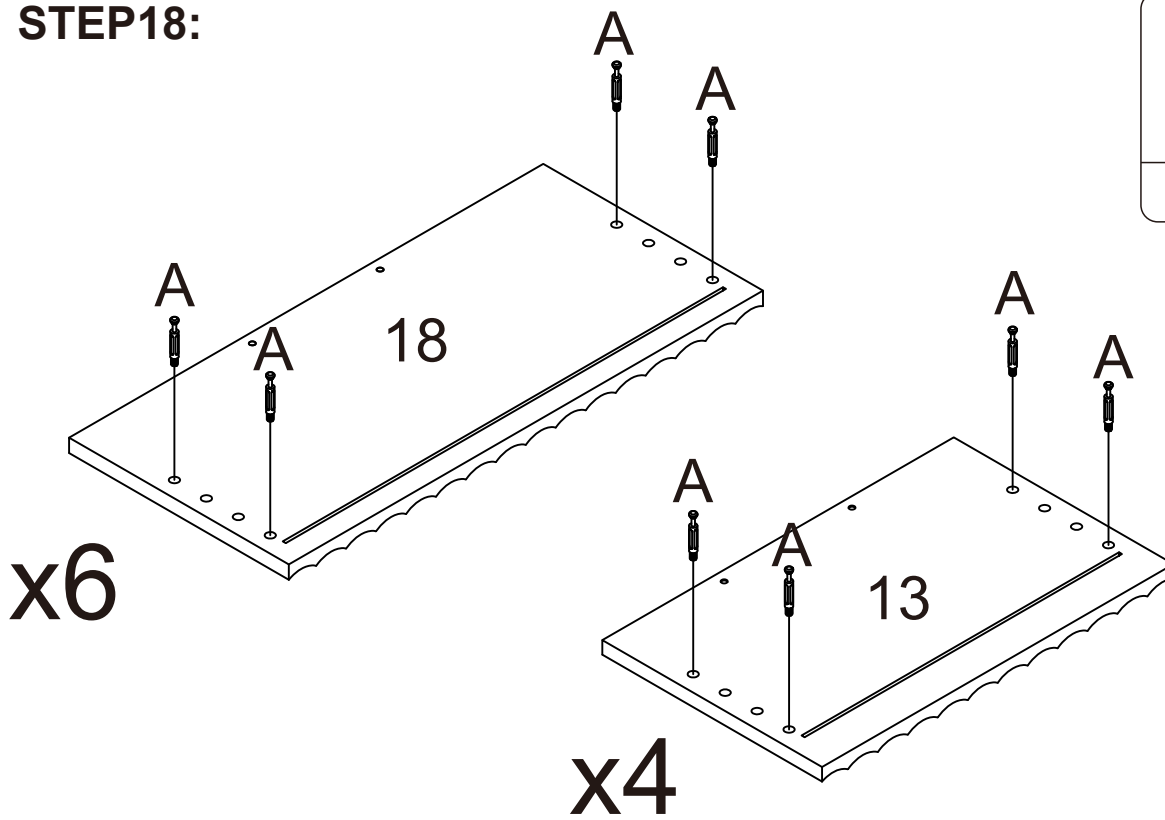


INSTALLATION STEPS

STEP17:

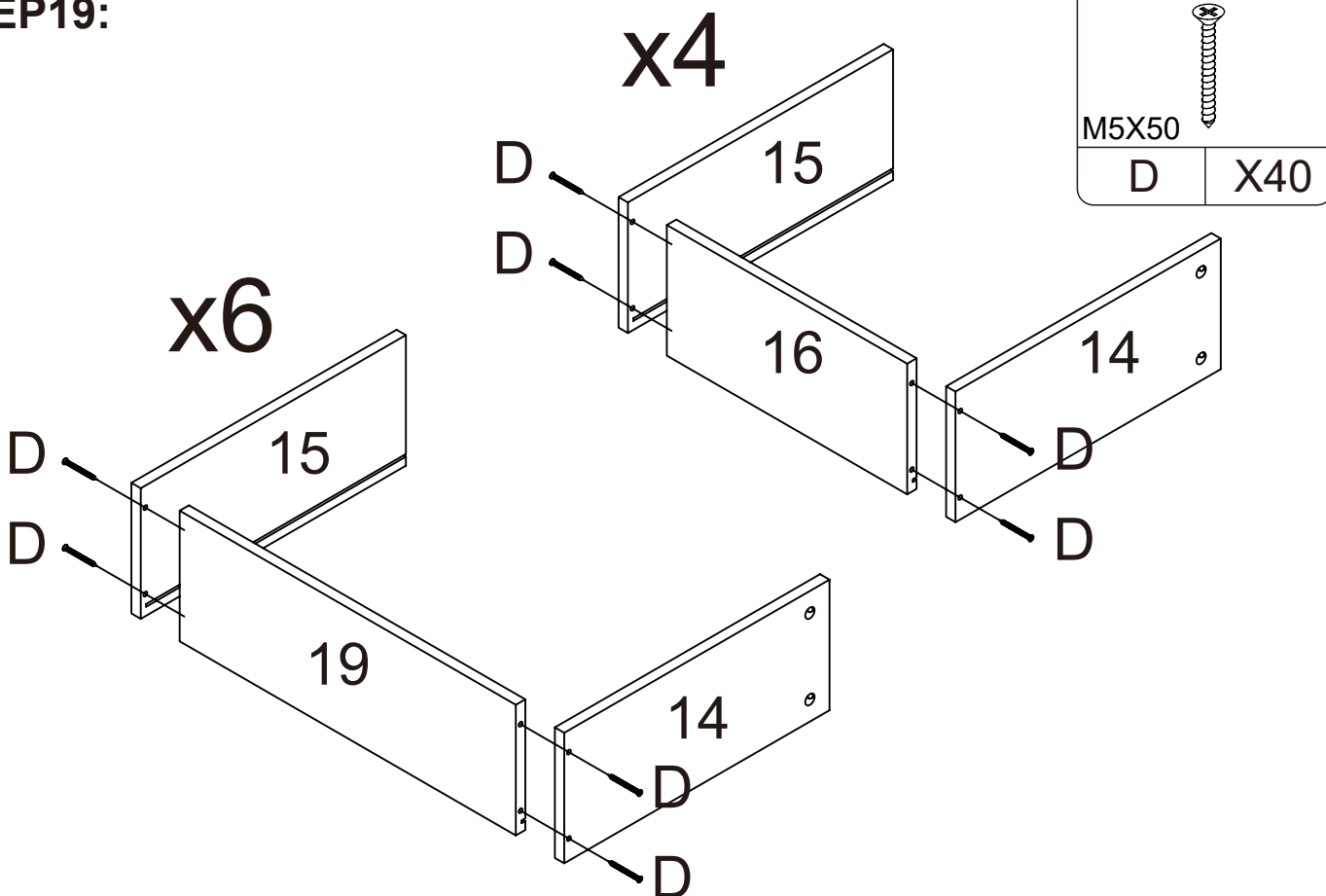


STEP18:

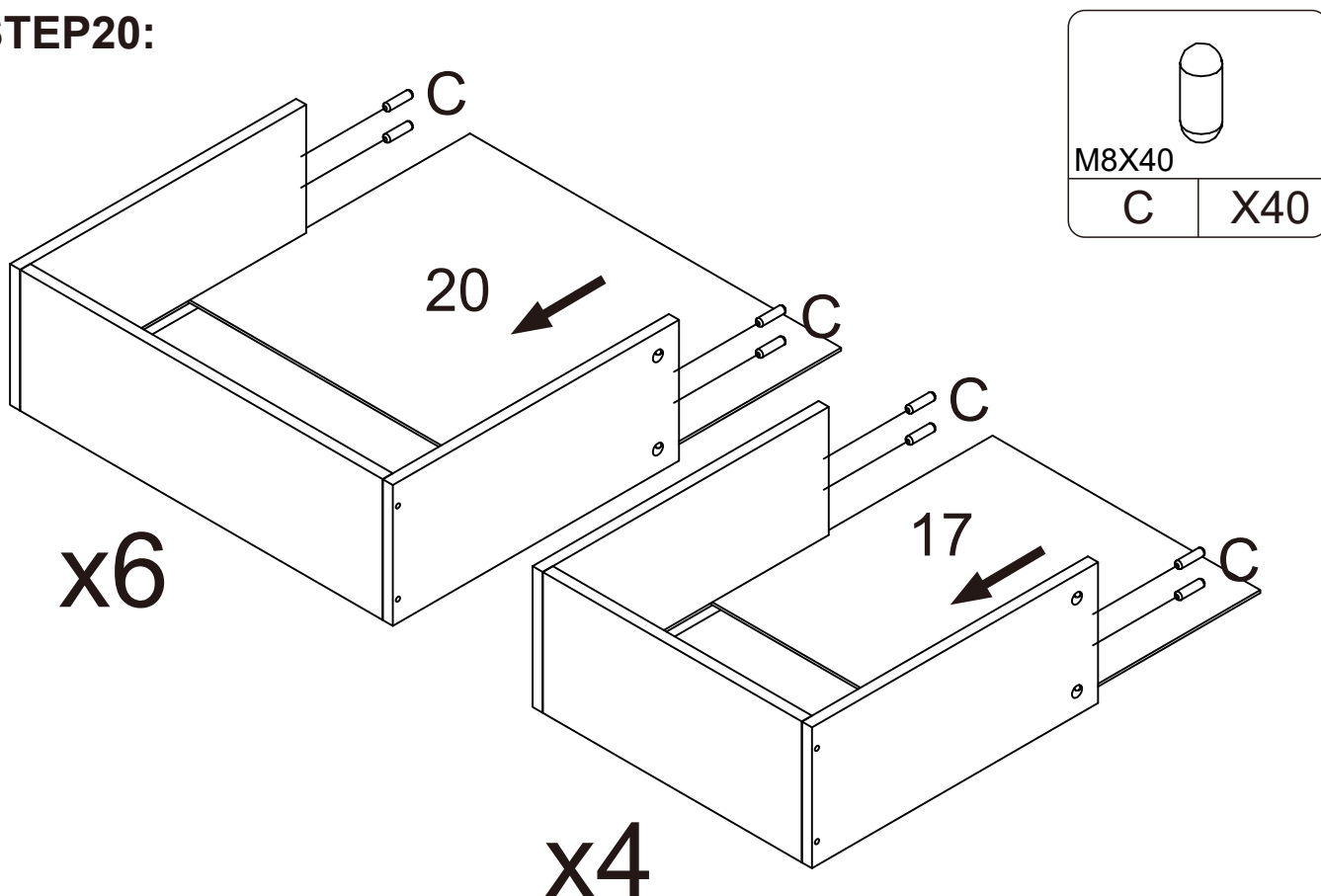


INSTALLATION STEPS

STEP19:

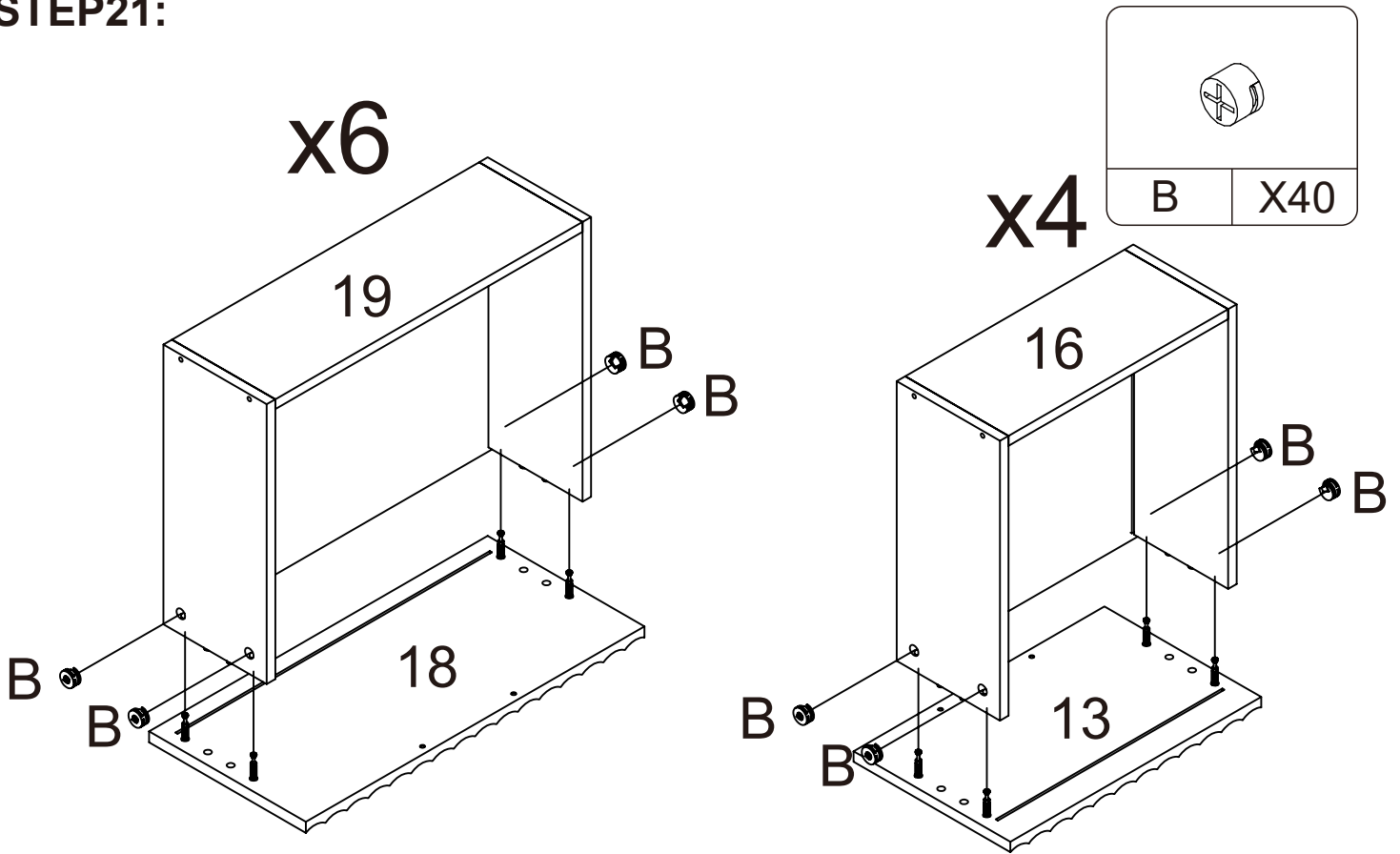


STEP20:

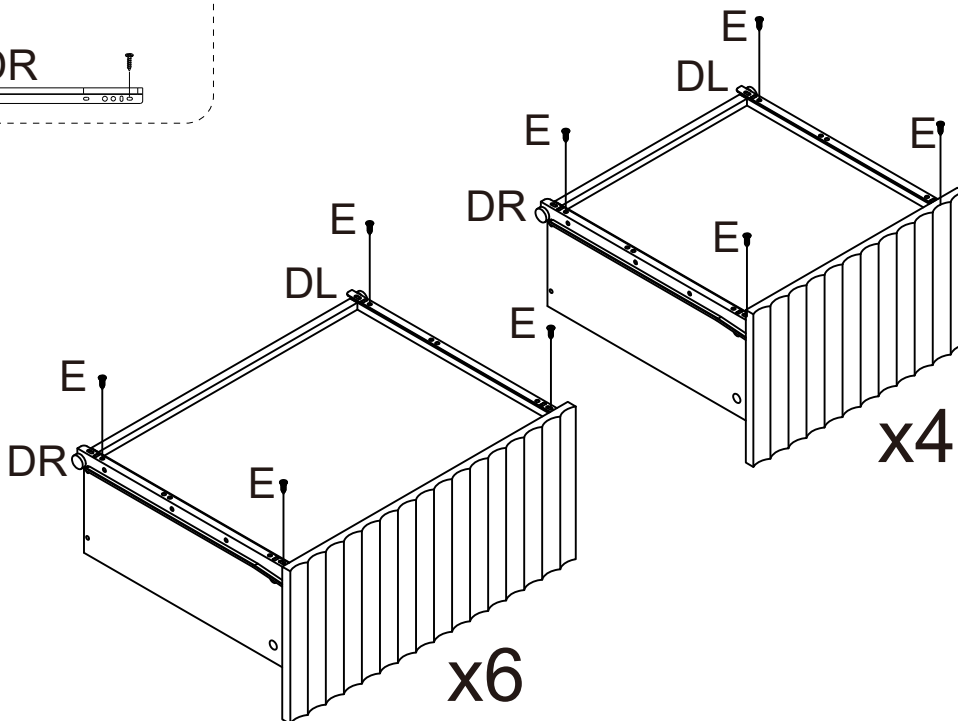
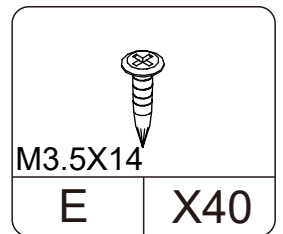
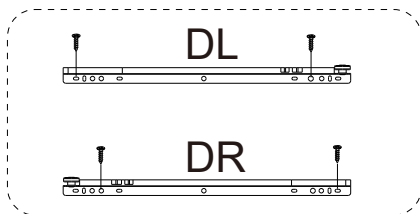


INSTALLATION STEPS

STEP21:

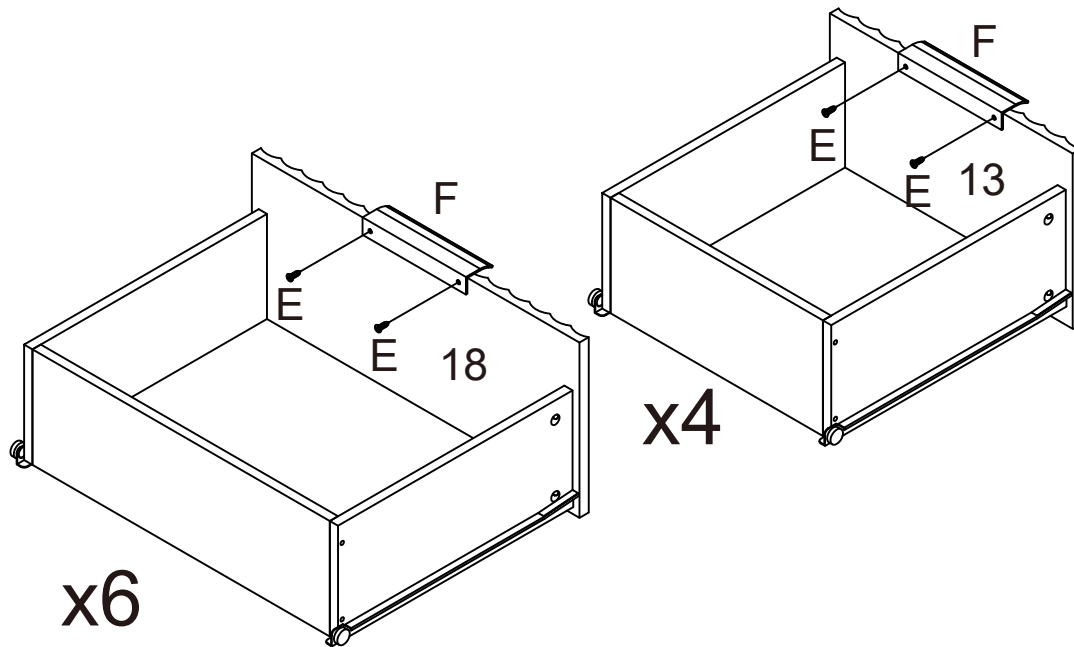
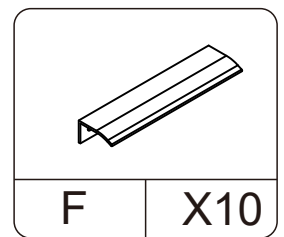
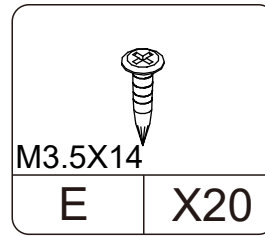


STEP22:

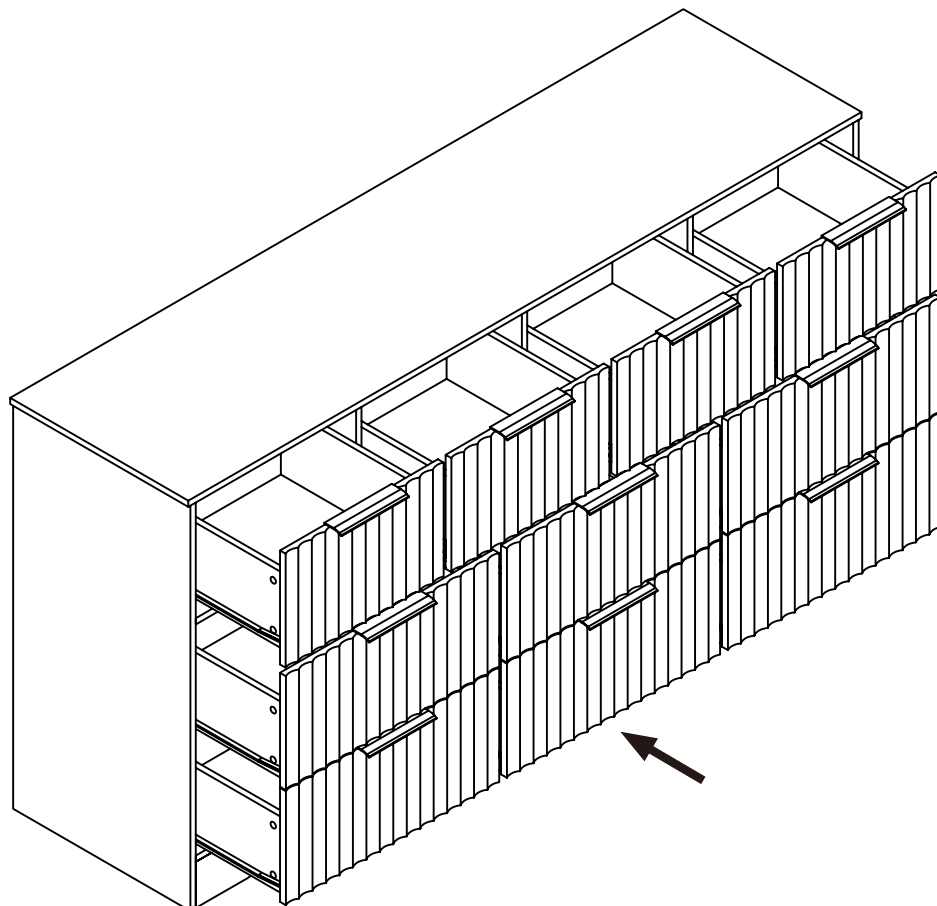


INSTALLATION STEPS

STEP23:

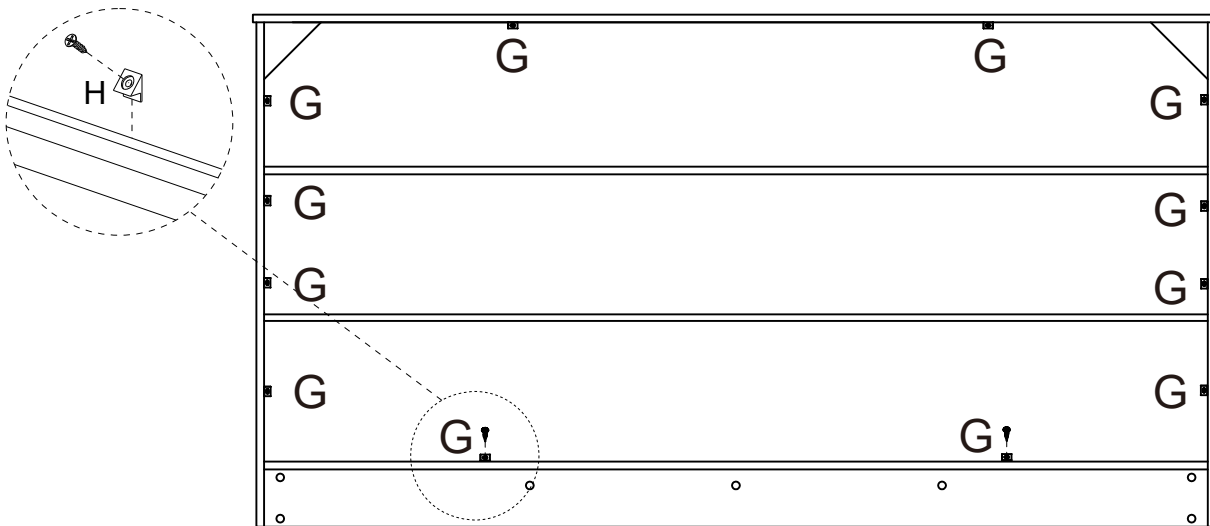
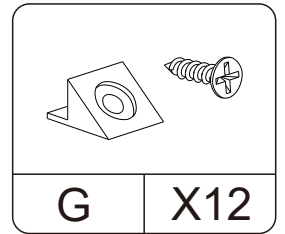


STEP24:

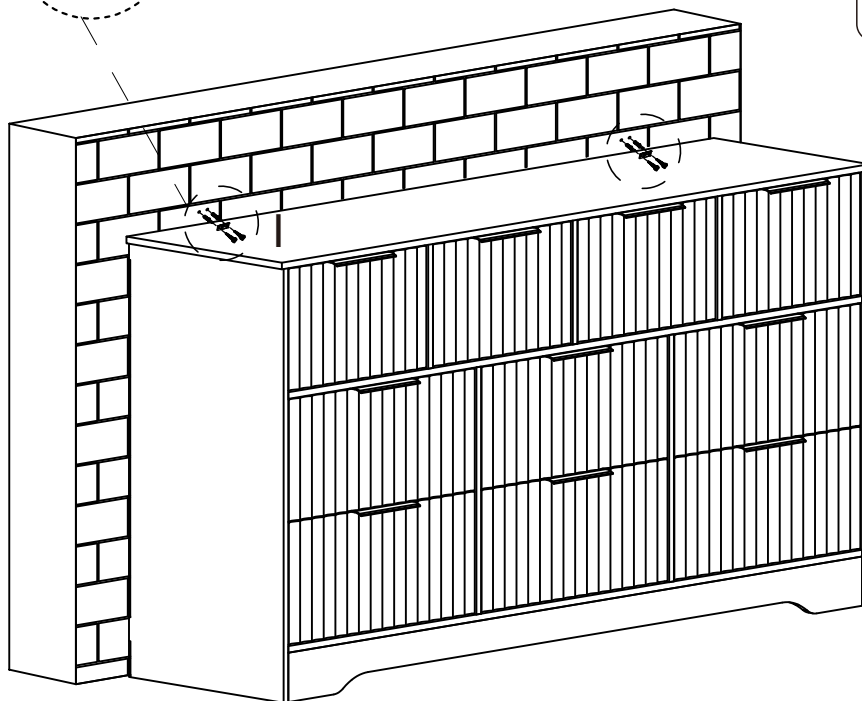
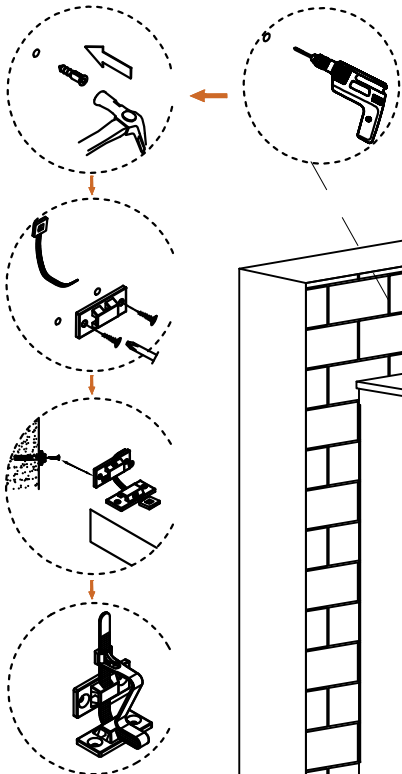
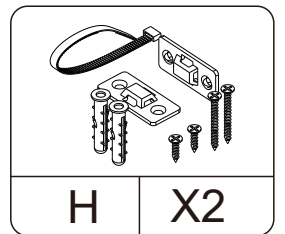


INSTALLATION STEPS

STEP25:

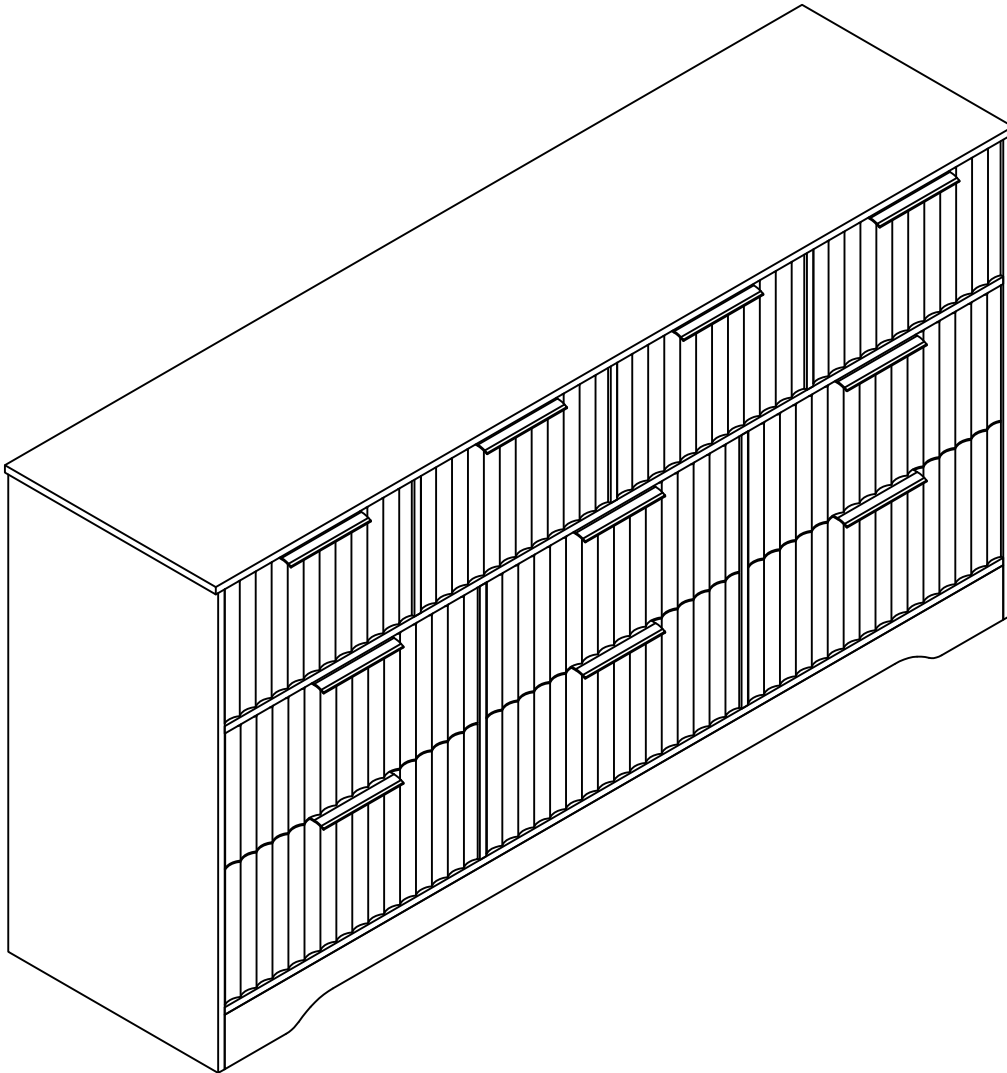


STEP26:



INSTALLATION STEPS

STEP27:



GARVEE
support@garvee.com