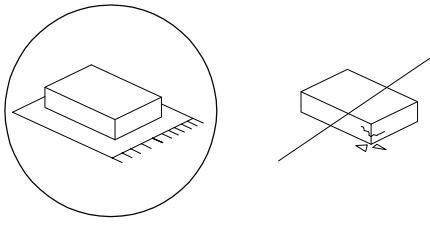

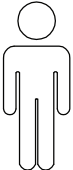
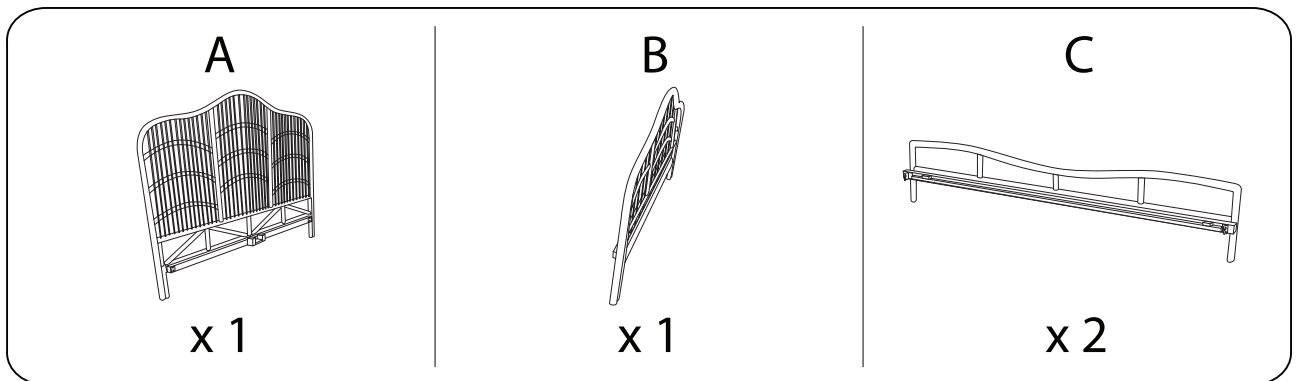
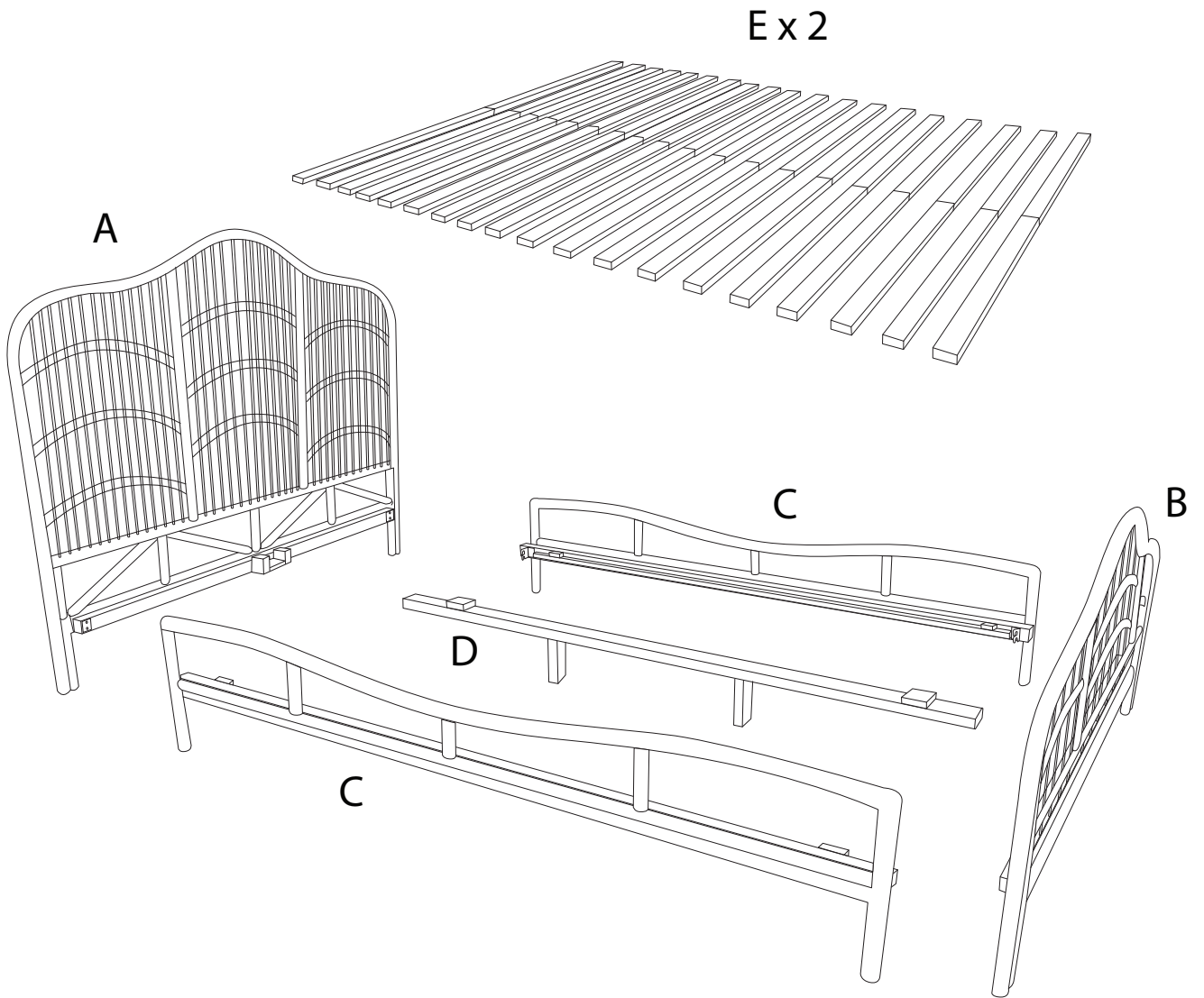
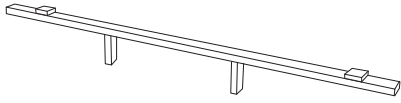

		60'
		
		2

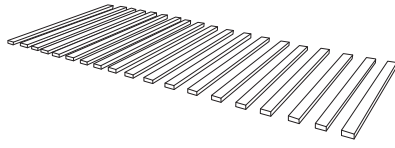


D



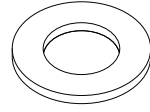
x 1

E



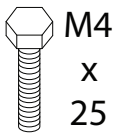
x 2

F



x 8

G



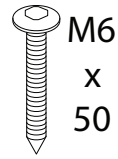
x 8

H



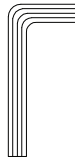
x 1

I



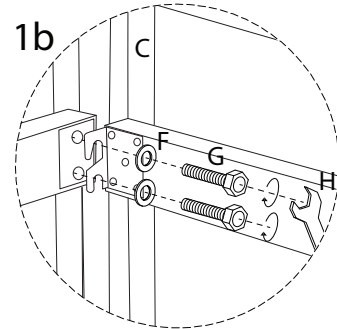
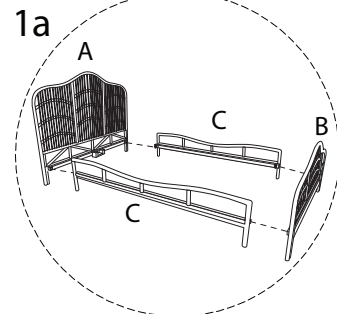
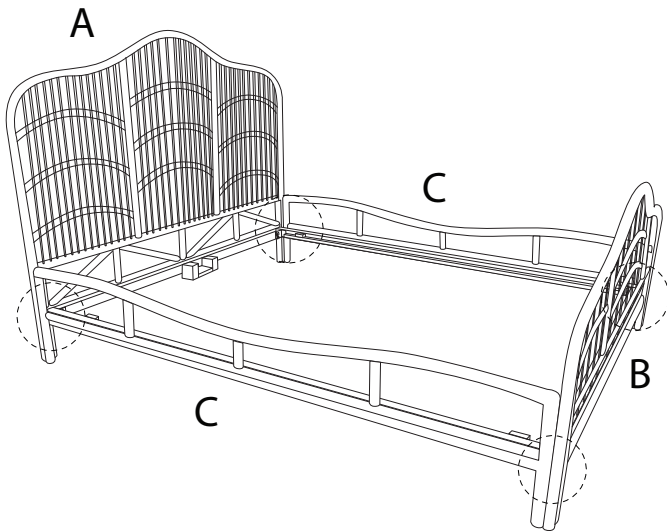
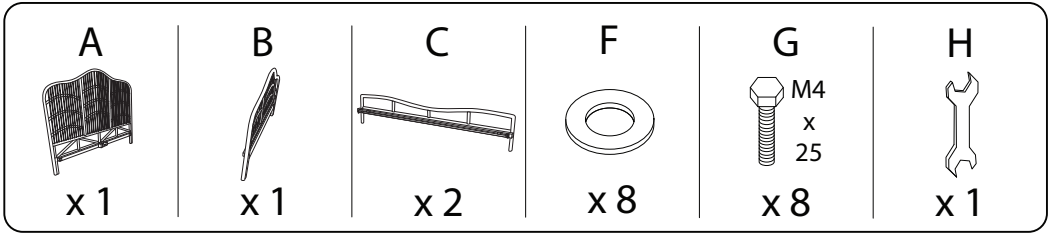
x 4

J

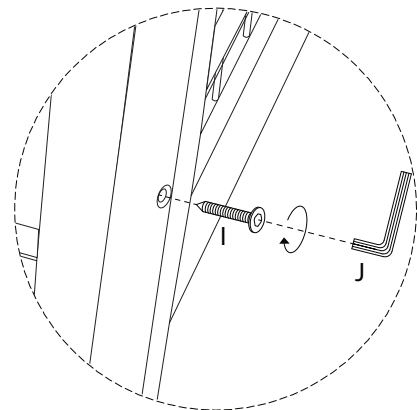
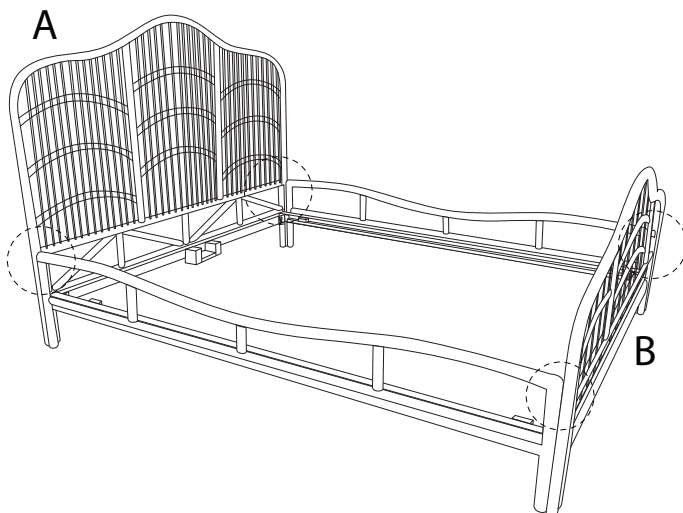
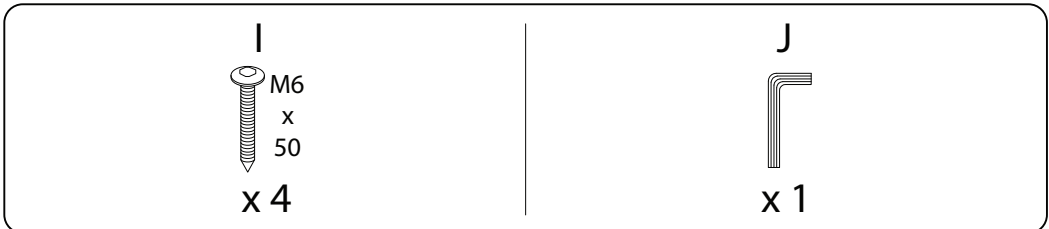


x 1

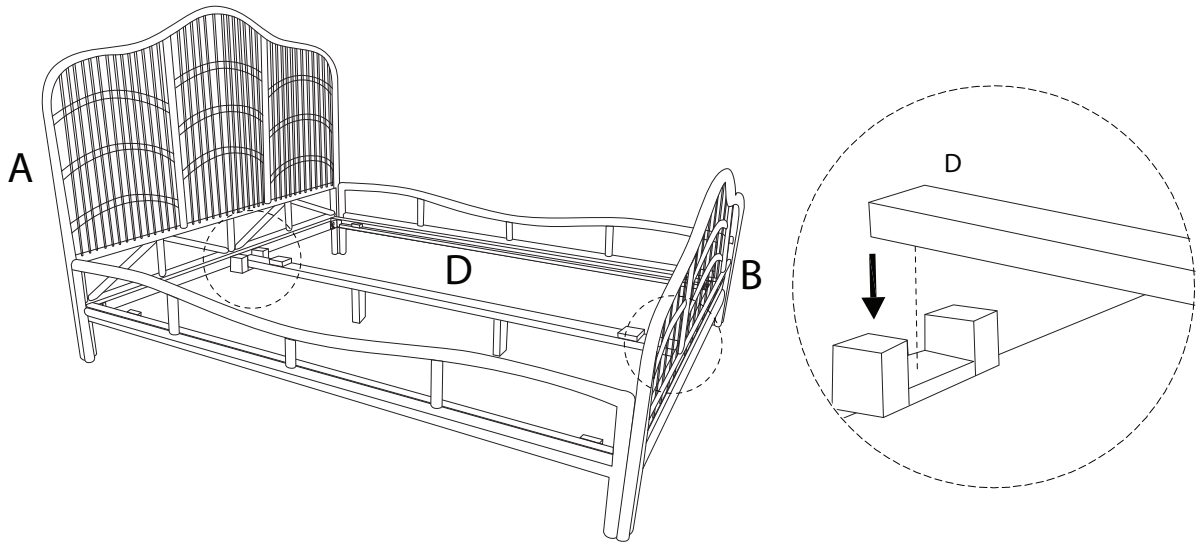
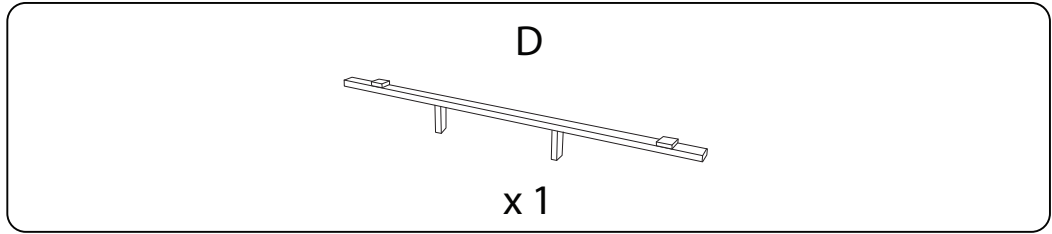
1



2



3



4

