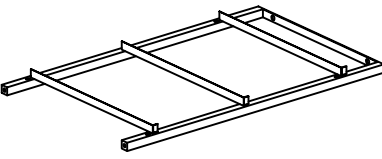
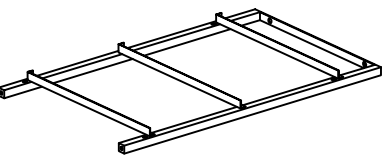
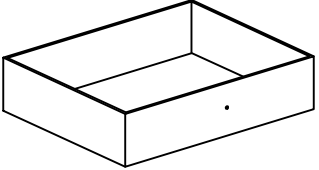
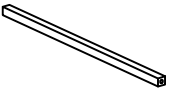
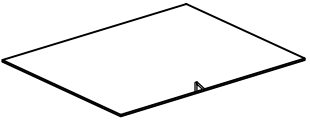
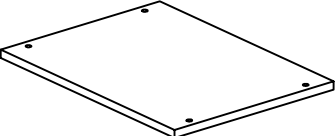
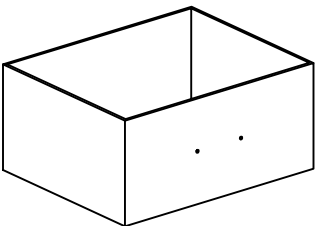



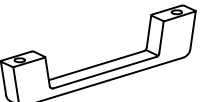

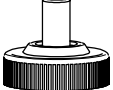

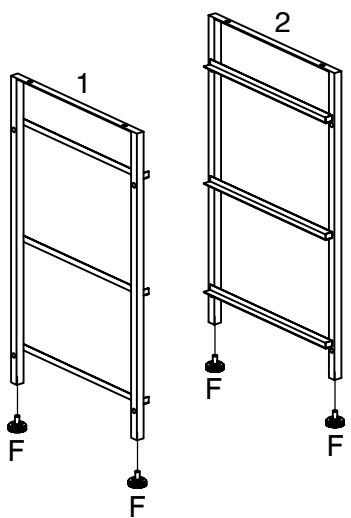
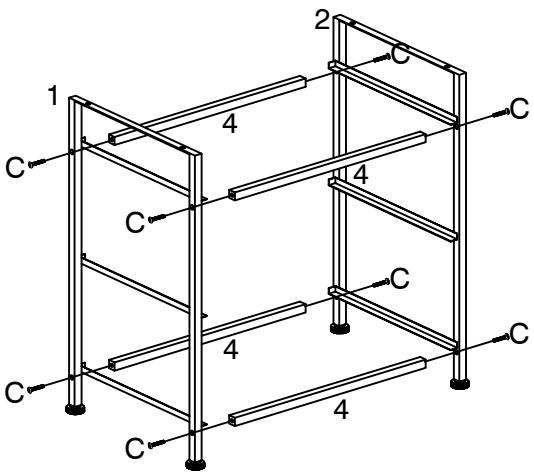


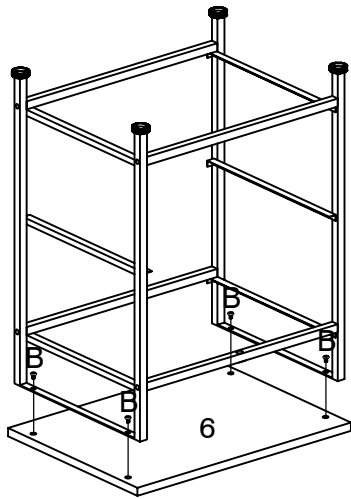
Assembling Instruction

Attention: Do not tighten the screws until all of them are in right positions

<p>1</p>  <p>x1</p>	<p>2</p>  <p>x1</p>	<p>3</p>  <p>x1</p>			
<p>4</p>  <p>x4</p>	<p>5</p>  <p>x3</p>	<p>6</p>  <p>x1</p>			
<p>7</p>  <p>x2</p>					
<p>A</p>  <p>M4x8 x5</p>	<p>B</p>  <p>M6x12 x4</p>	<p>C</p>  <p>M6x30 x8</p>	<p>D</p>  <p>x2</p>	<p>E</p>  <p>x1</p>	<p>F</p>  <p>M6 x4</p>
					

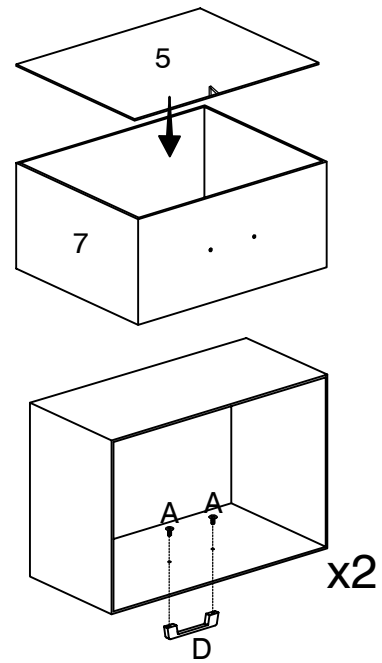
<p>1</p>  <p>F x4</p>	<p>2</p>  <p>C x8</p>
--	---

3



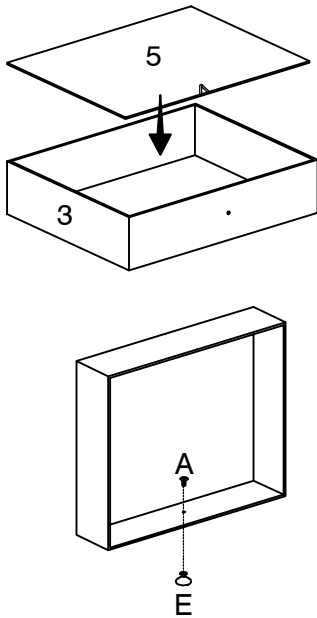
B	x4
---	----

4



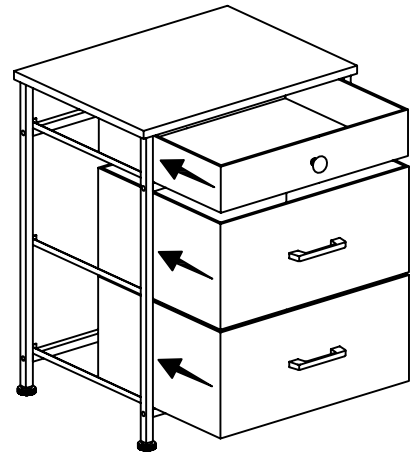
A	x4
D	x2

5



A	x1
E	x1

6



7

