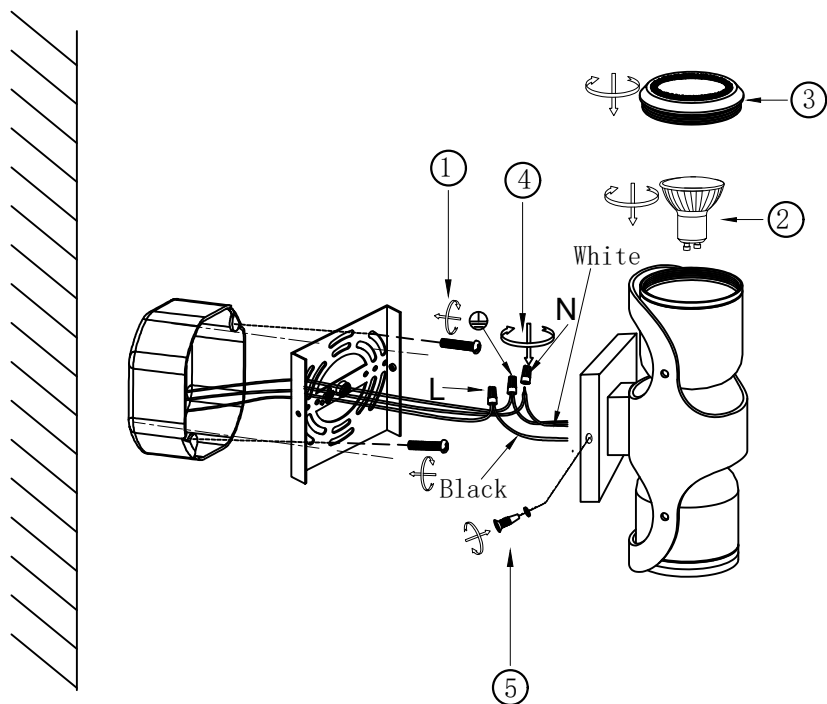


# ASSEMBLY AND INSTALLATION INSTRUCTIONS

**WARNING:** TO AVOID RISK OF ELECTRICAL SHOCK, BE SURE TO SHUT OFF POWER BEFORE INSTALLING OR SERVICING THIS FIXTURE.



## Before You Begin:

- Ensure power is turned off at the circuit breaker before installation.
- Read all instructions carefully.
- Installation should be performed by a qualified electrician if you are unfamiliar with wiring.

## Step-by-Step Installation:

1. Secure the mounting plate.
  - Remove the mounting plate from the fixture.
  - Pull branch circuit wires from the junction box, and thread them through the mounting plate.
  - Secure the mounting plate to the junction box.
2. Remove the fixture's access covers, and then install the light bulbs into the light holders. (Bulbs Not Included)
3. Secure the light bulbs, and then replace the access cover.
4. Use wire connectors to connect the fixture's black (hot), white (neutral) and grounding wires to the corresponding wires on the junction box.
  - Ensure no exposed conductors remain outside wire connectors or outside the junction box.
5. Secure the fixture to the mounting plate by tightening the mounting screws on both sides of the light fixture.

## Safety Instructions:

**To avoid fire, shock, and serious personal injury, follow all instructions carefully.**

1. Do not install or use the light fixture if any part is missing or damaged.
2. To avoid possible electrical shock be sure electricity is turned off at the main fuse or circuit breaker box before wiring.
3. Make certain no bare wires are exposed outside the wire connectors.
4. All wiring must conform to national and local electrical codes.
5. Follow the recommended instructions for the proper method of wiring your new light fixture. If you feel you do not have enough electrical wiring knowledge or experience, have your light fixture installed by a licensed electrician. Any electrical work not described in this manual should be performed by a licensed electrician.