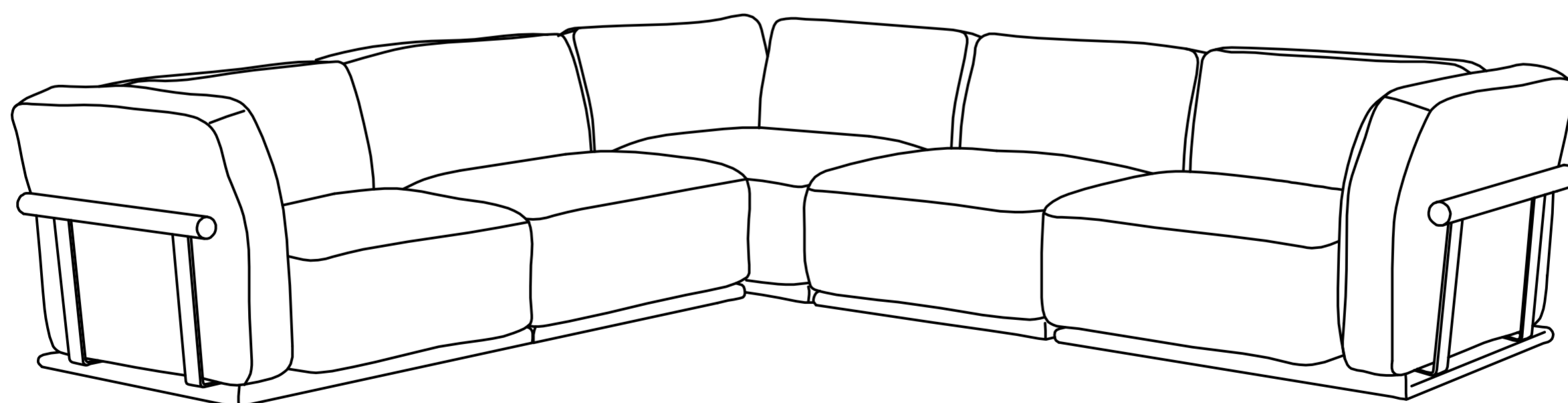
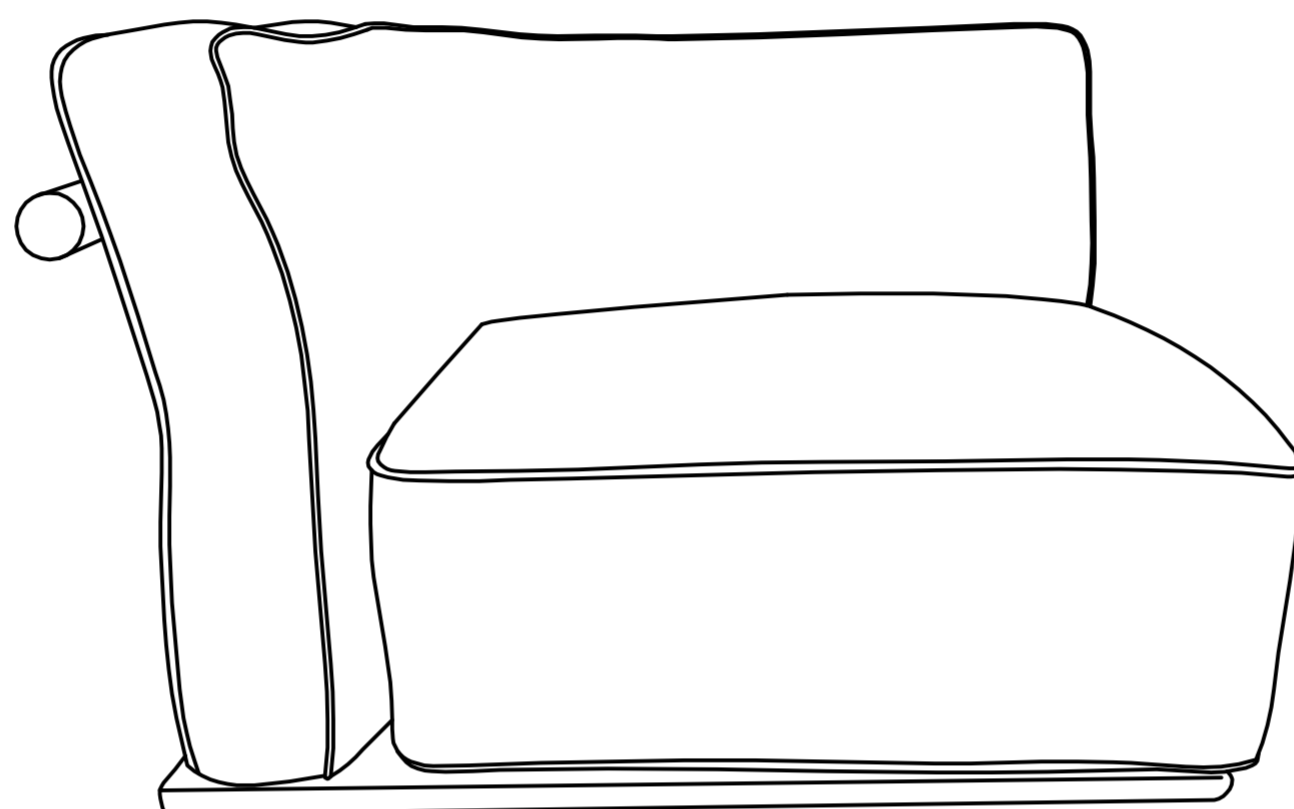
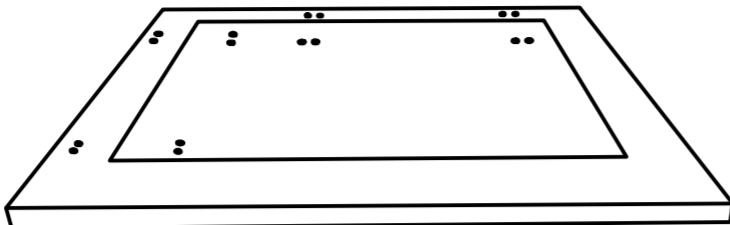
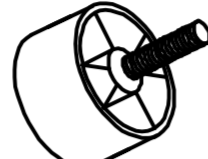
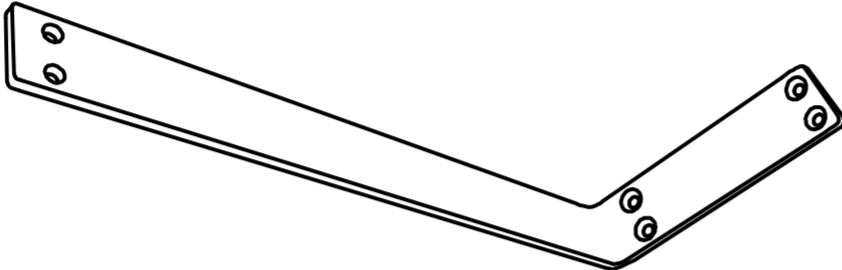
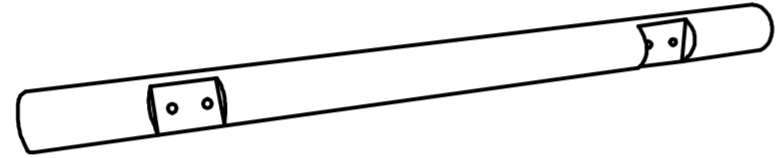
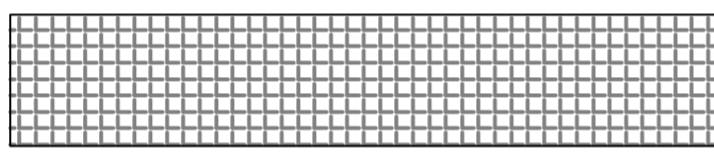
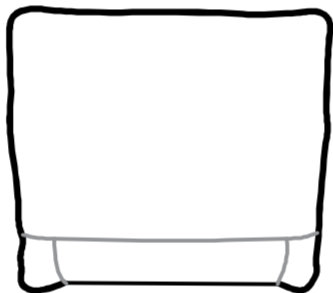
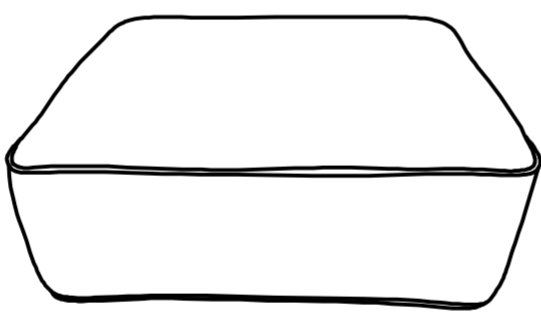



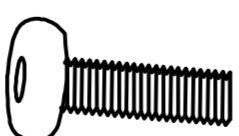
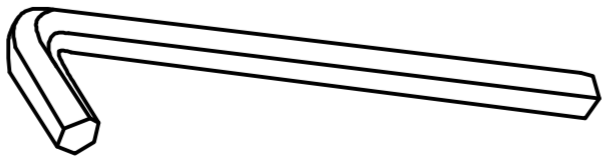
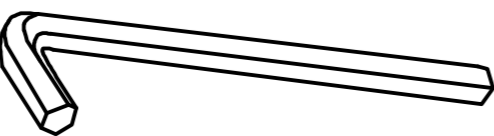
Assembly Instruction



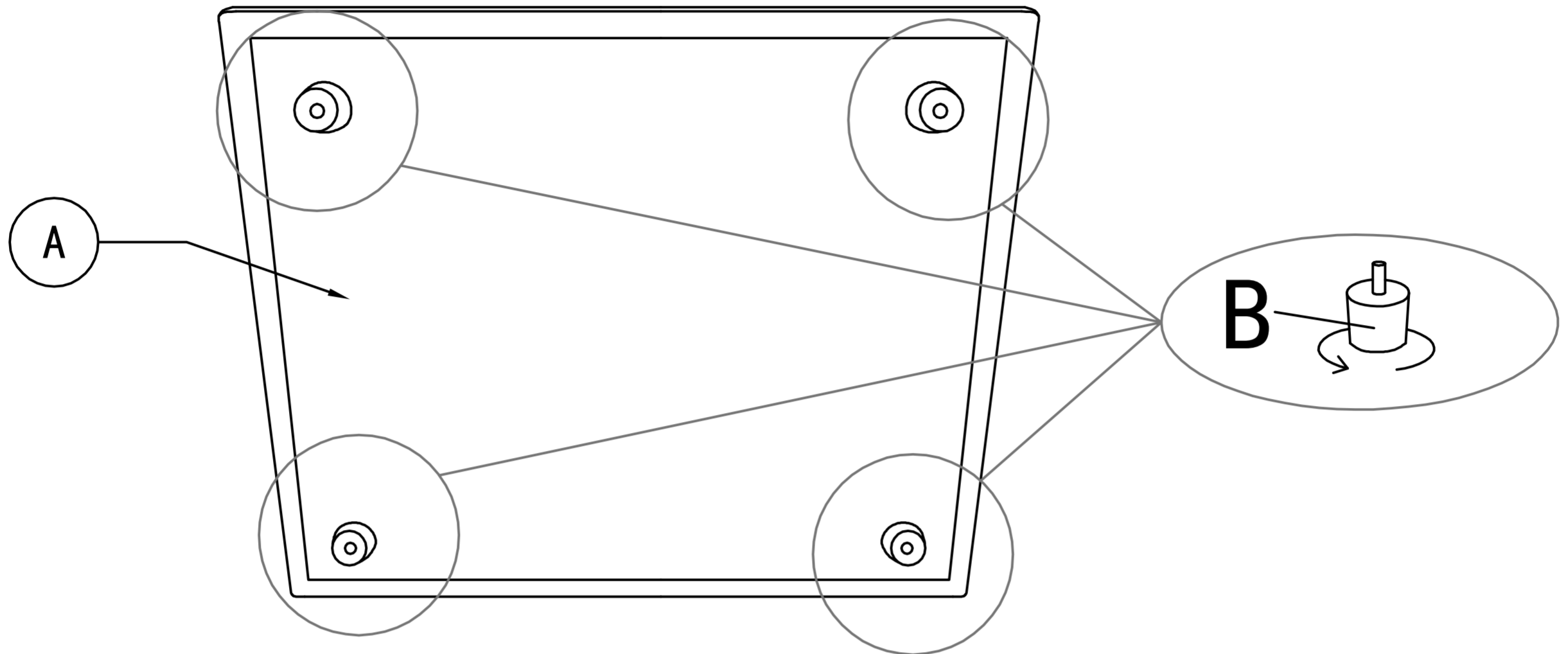
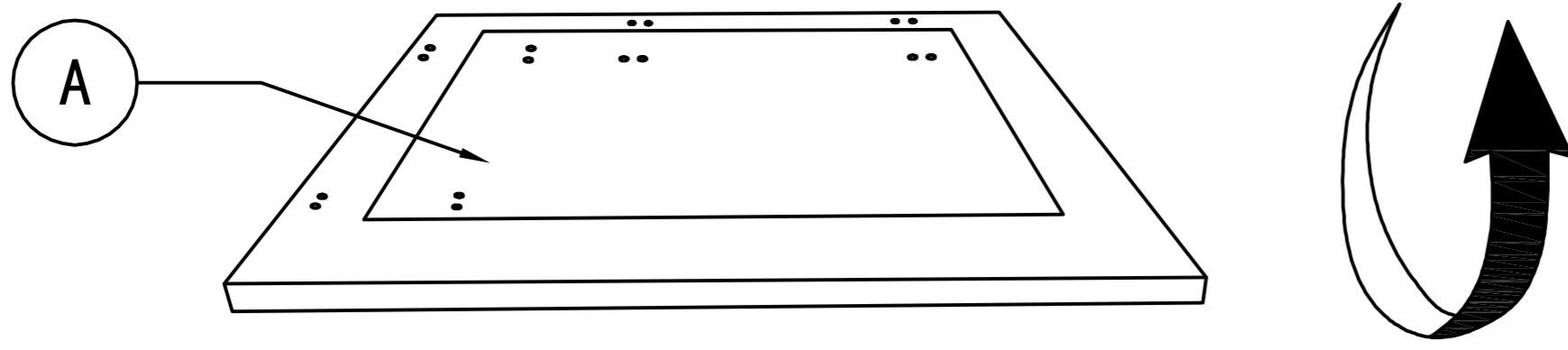
Parts List

Label	Picture	Description	QTY
A		Wood Base	1
B		Leg	4
C		Metal Support	4
D		Wood Support	2
E		Velcro	2
F		Back Cushion	2
G		Seat Cushion	1

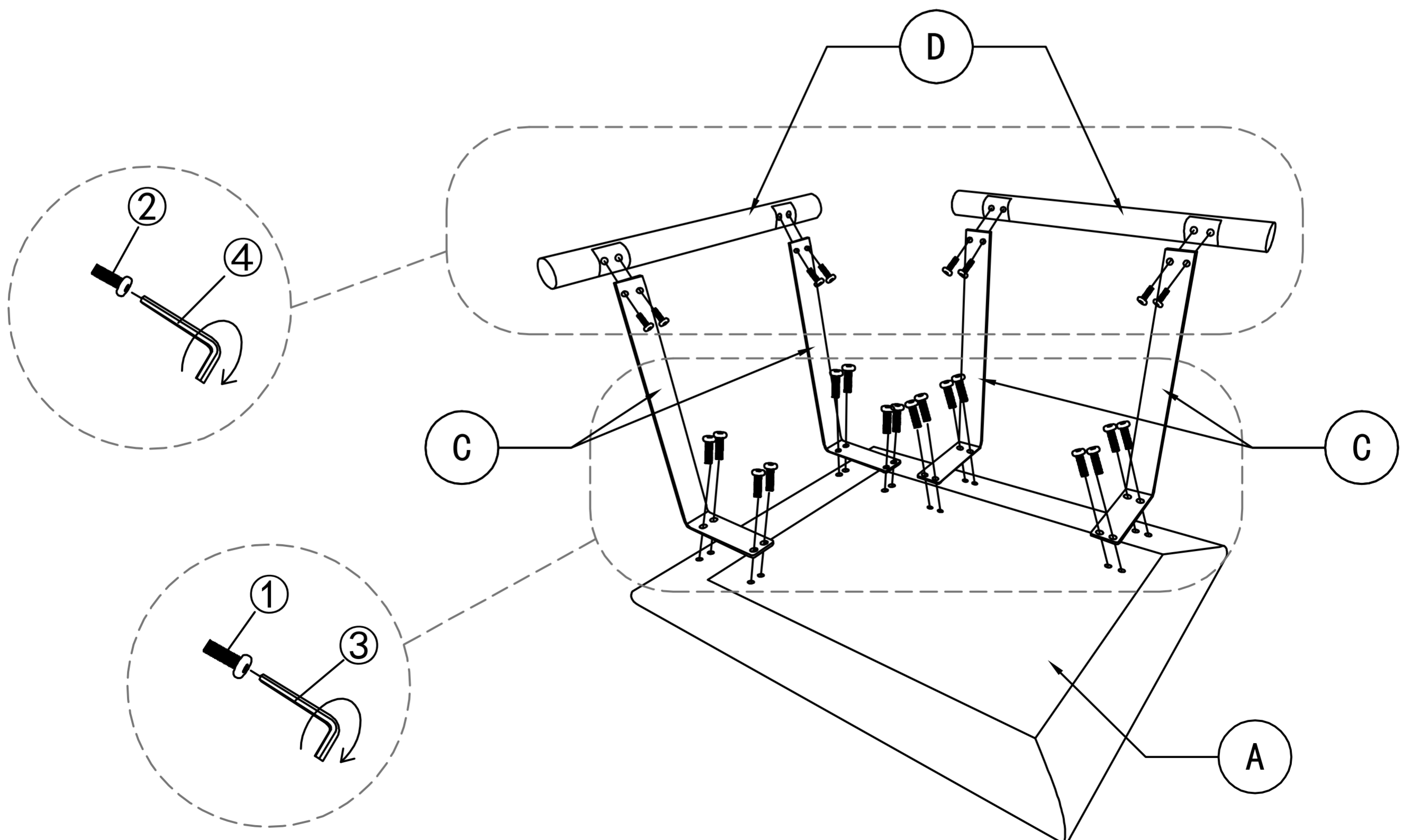
Hardware

Label	Picture	Description	QTY
①		Bolt (M8*25MM)	16
②		Bolt (M6*25MM)	8
③		Allen Key (5mm)	1
④		Allen Key (4mm)	1

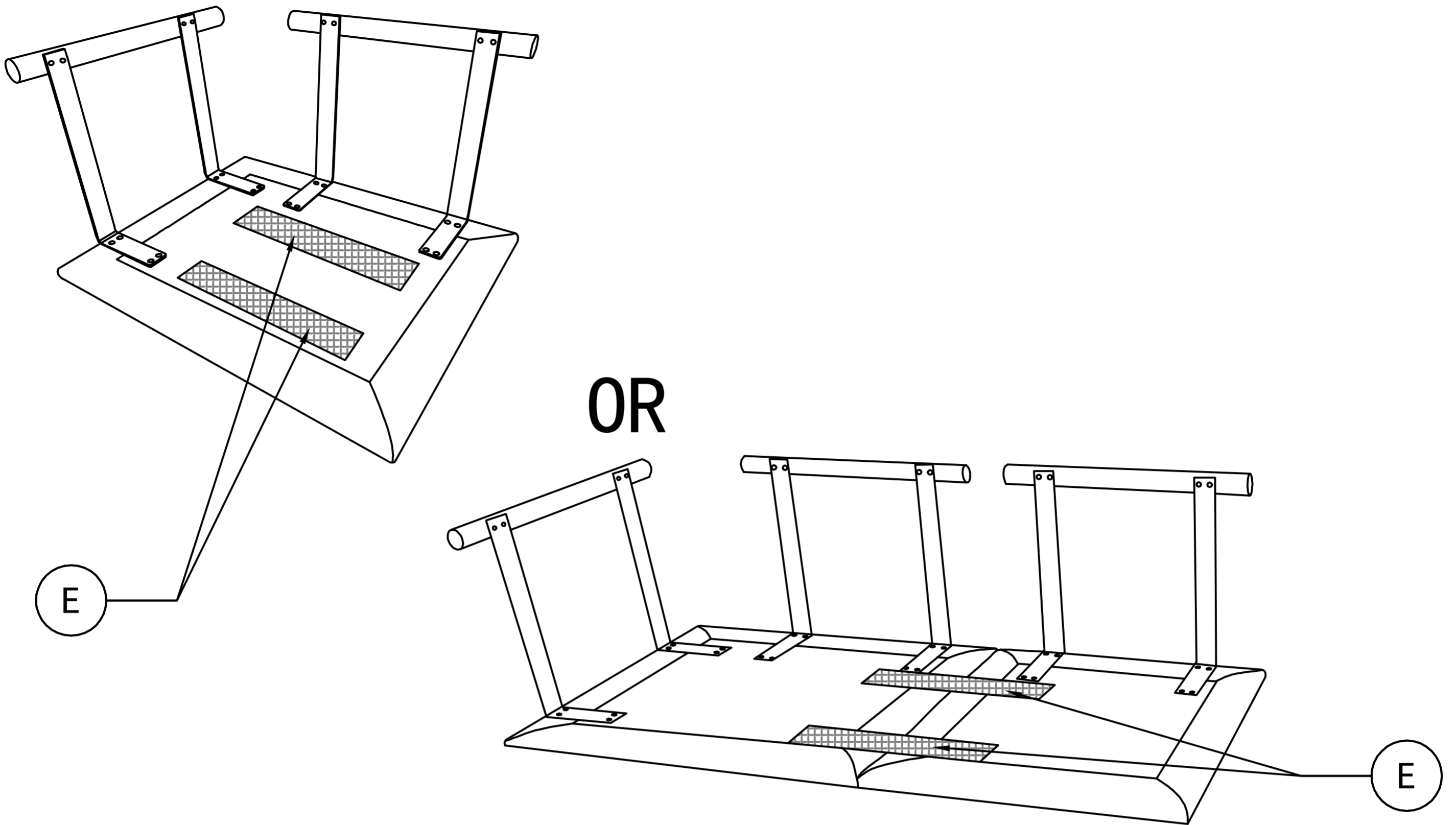
Step1



Step2

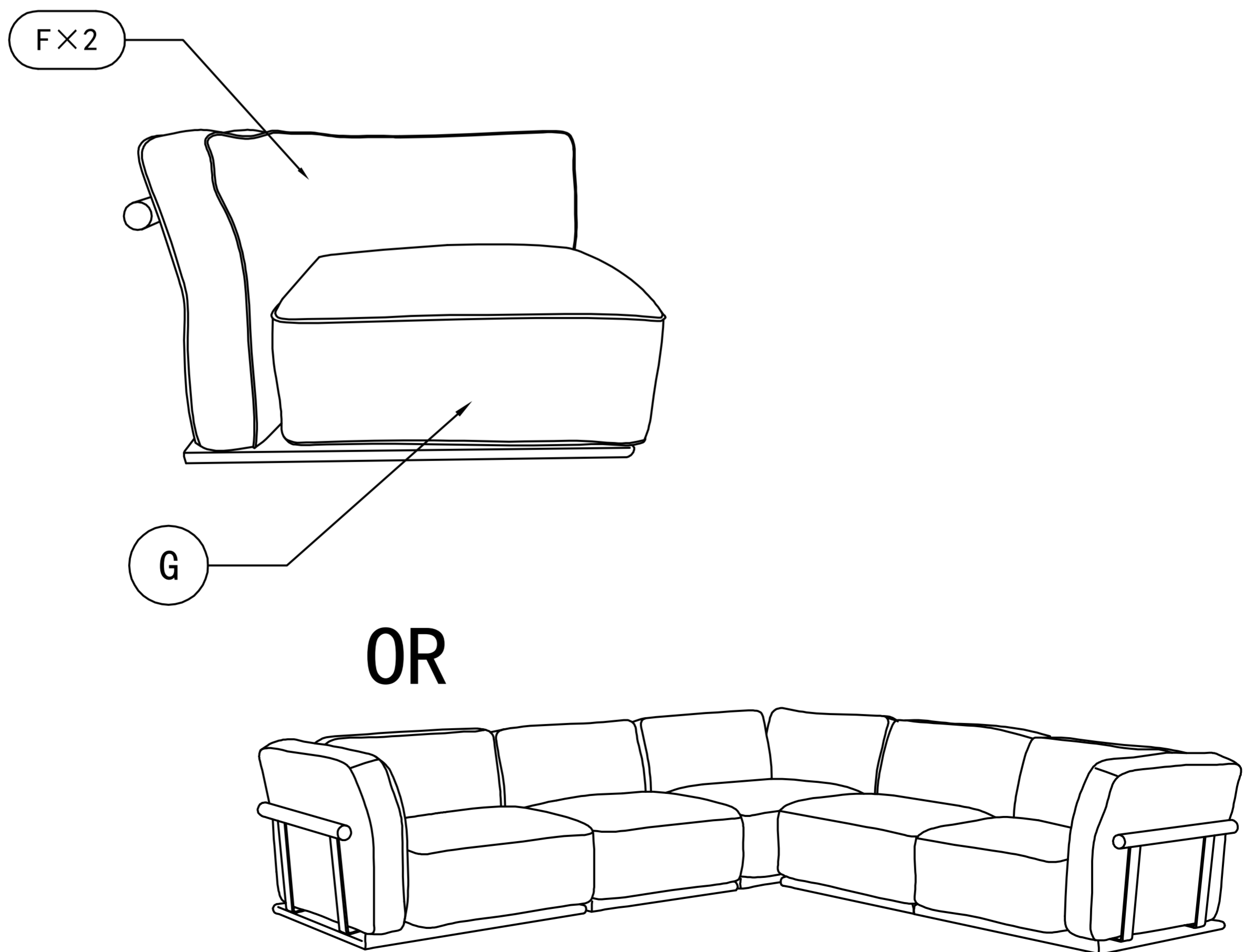


Step3



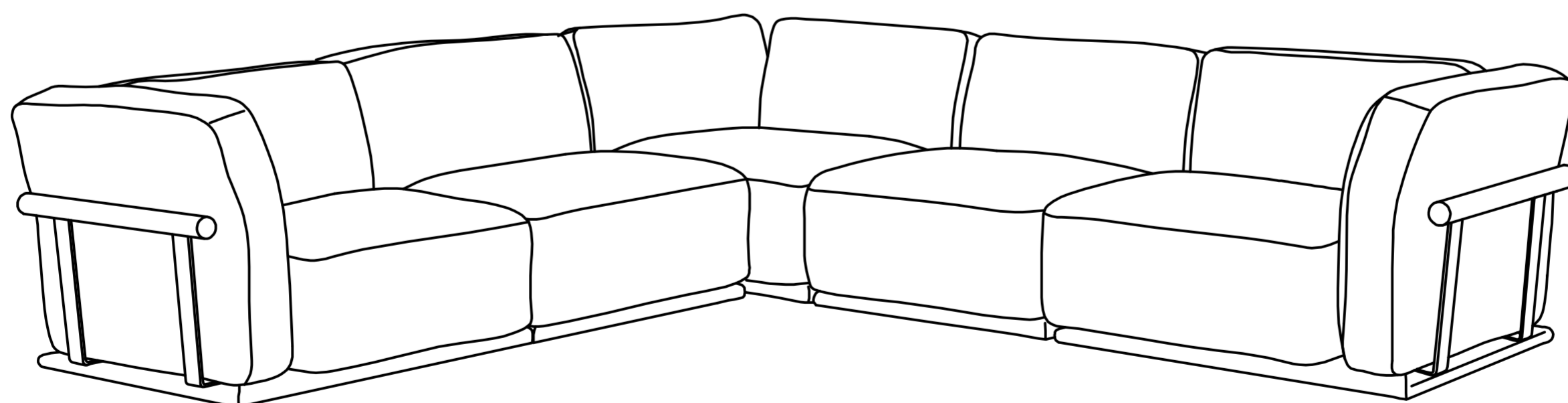
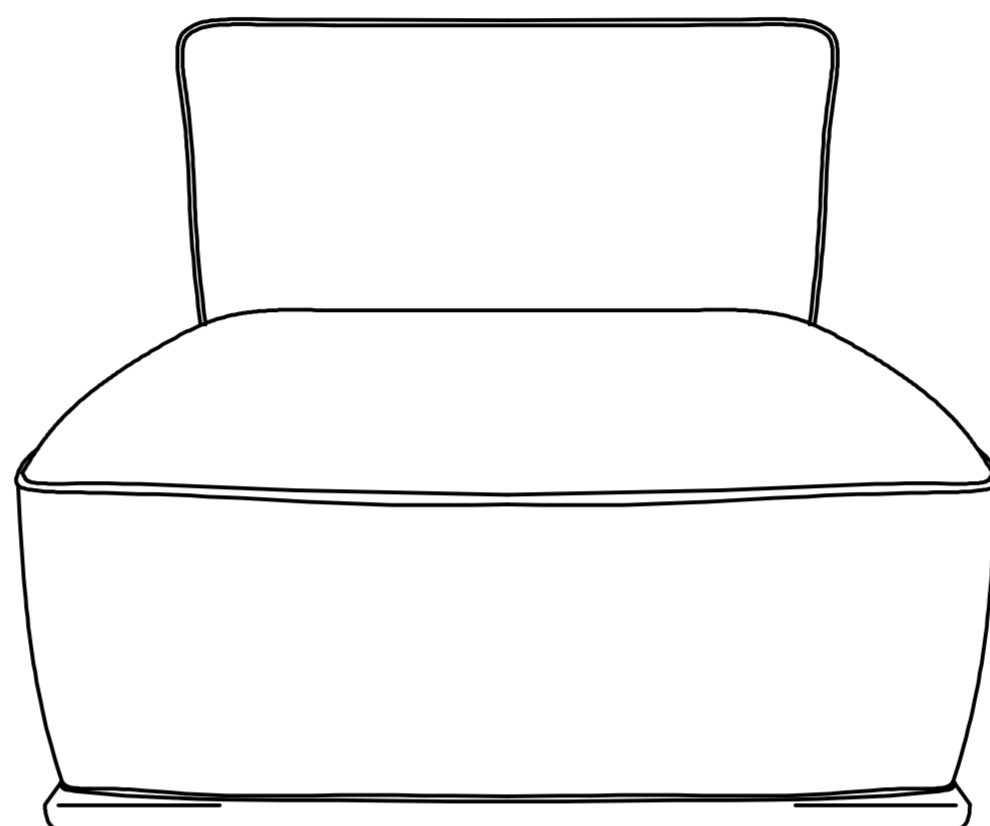
USE VELCRO TO PASTE BASE (A) OF THE OTHER SOFA TO JOINT TOGETHER

Step4

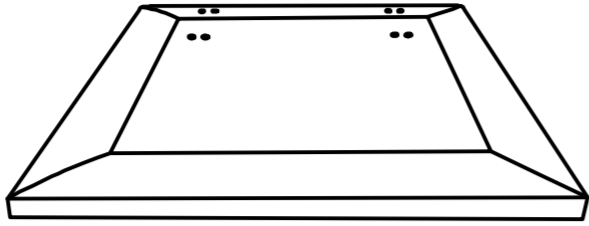
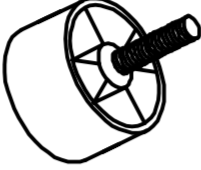
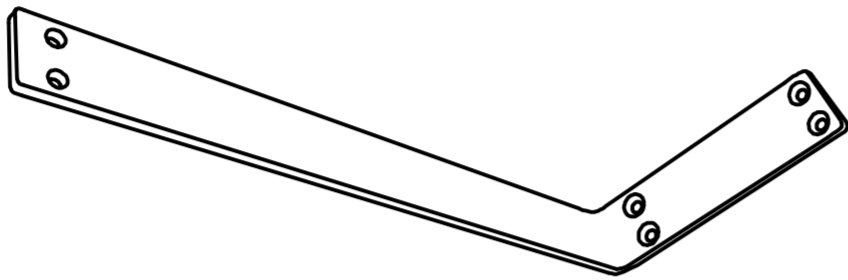
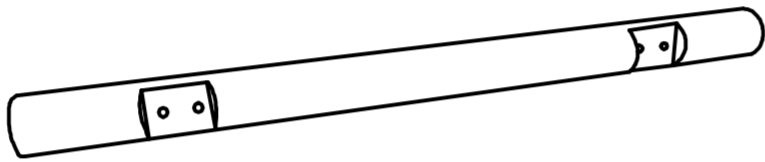
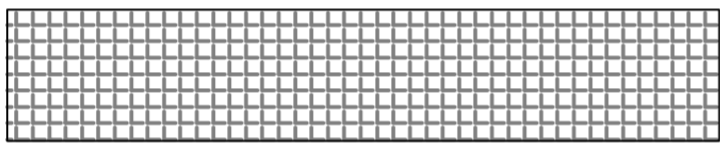
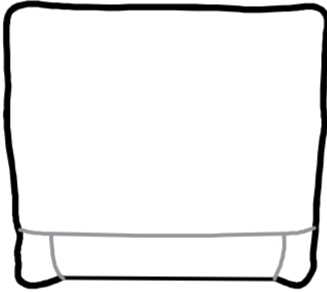
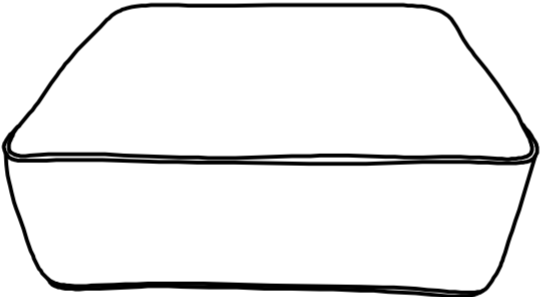


Mix and match with other sofas from the same series for customizable DIY combinations

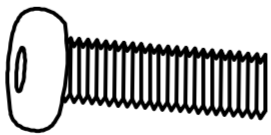
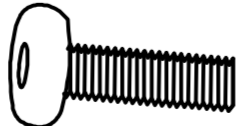
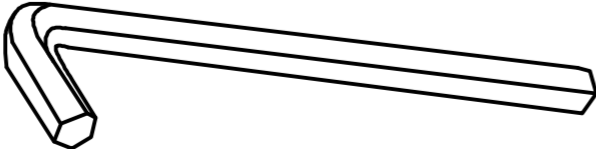
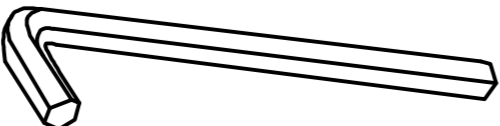
Assembly Instruction



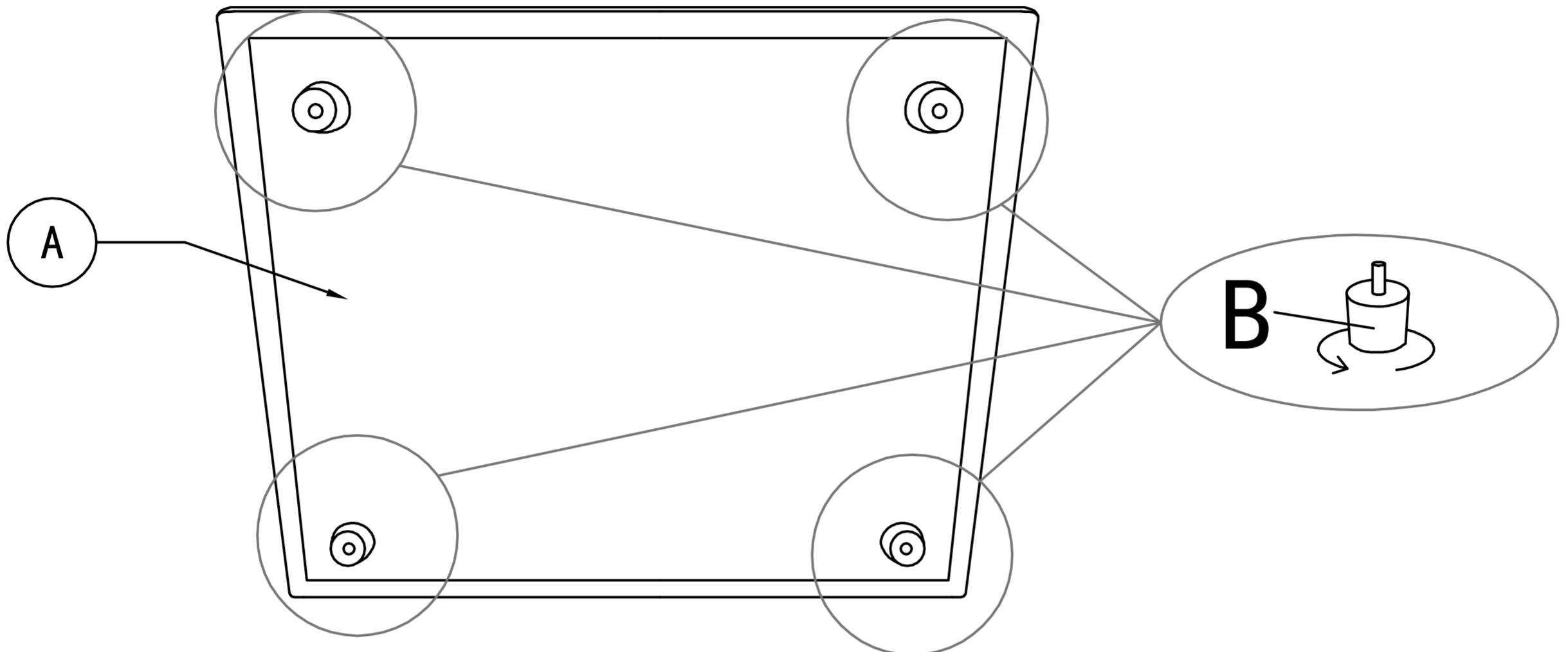
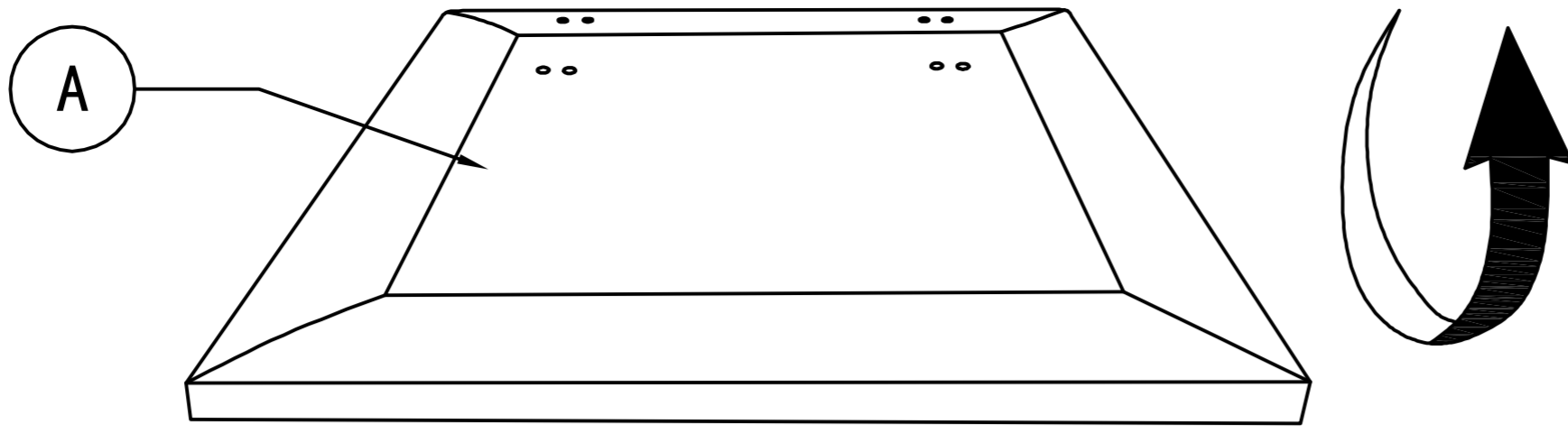
Parts List

Label	Picture	Description	QTY
A		Wood Base	1
B		Leg	4
C		Metal Support	2
D		Wood Support	1
E		Velcro	2
F		Back Cushion	1
G		Seat Cushion	1

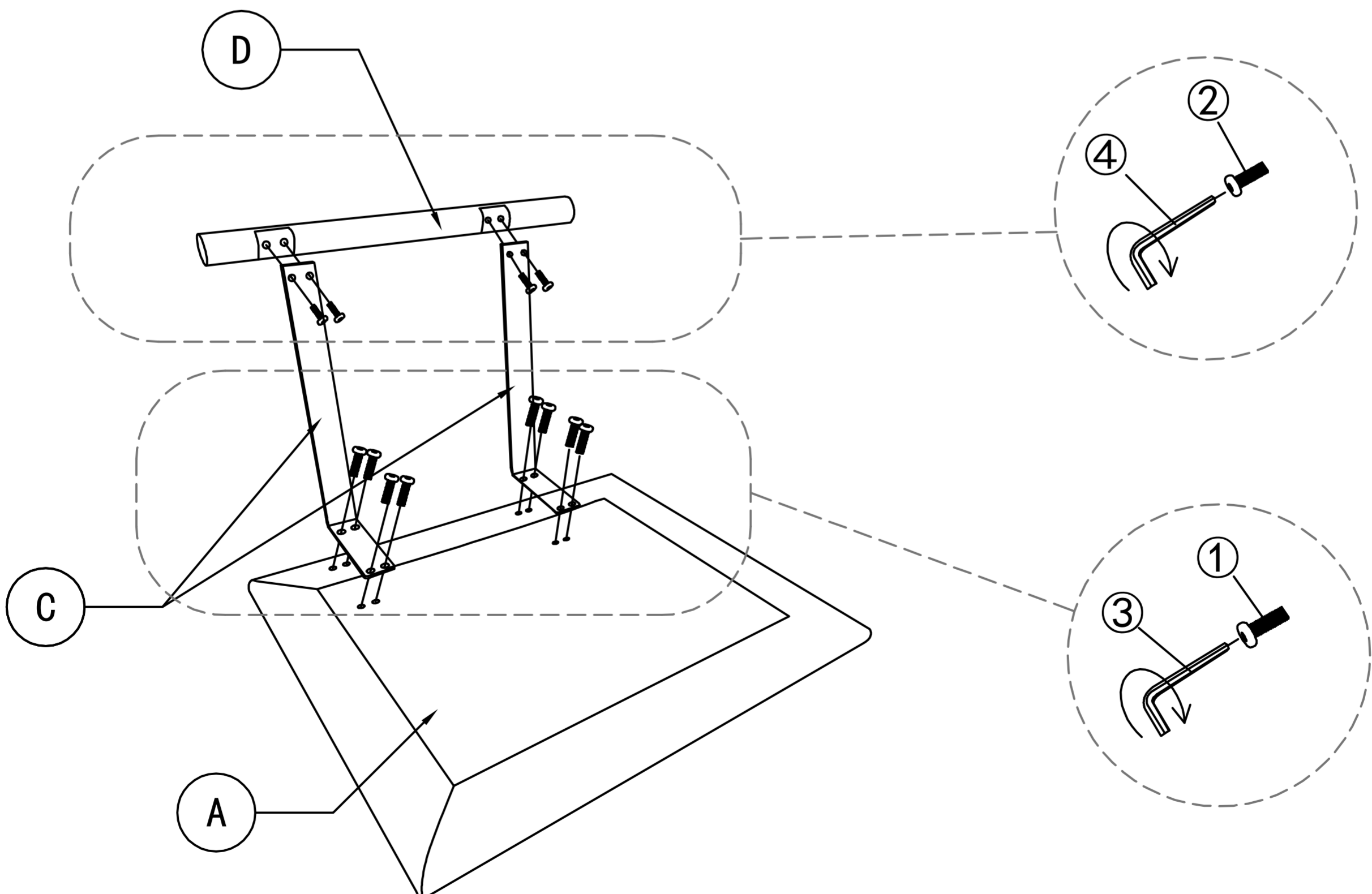
Hardware

Label	Picture	Description	QTY
①		Bolt (M8*25MM)	8
②		Bolt (M6*25MM)	4
③		Allen Key (5mm)	1
④		Allen Key (4mm)	1

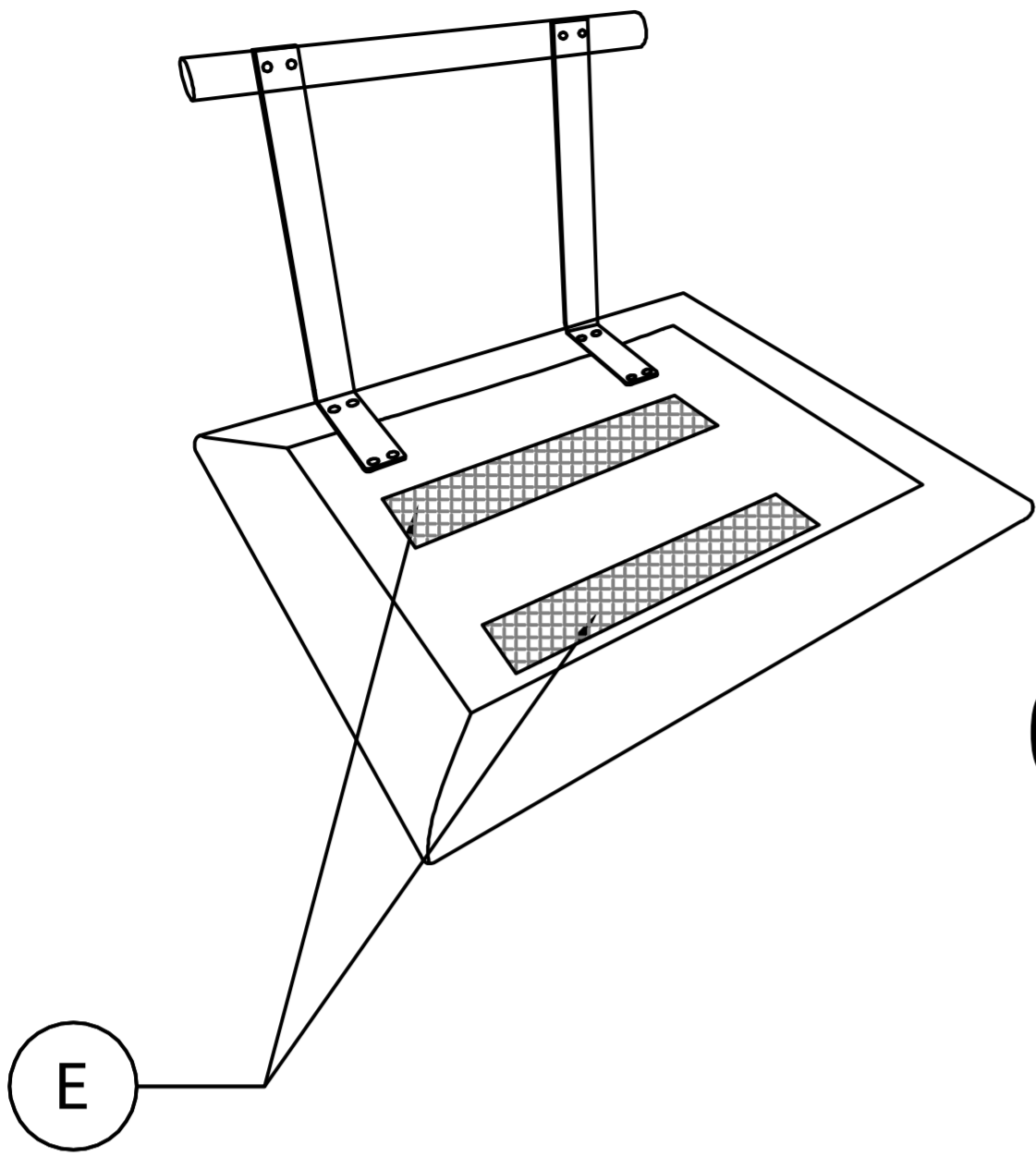
Step1



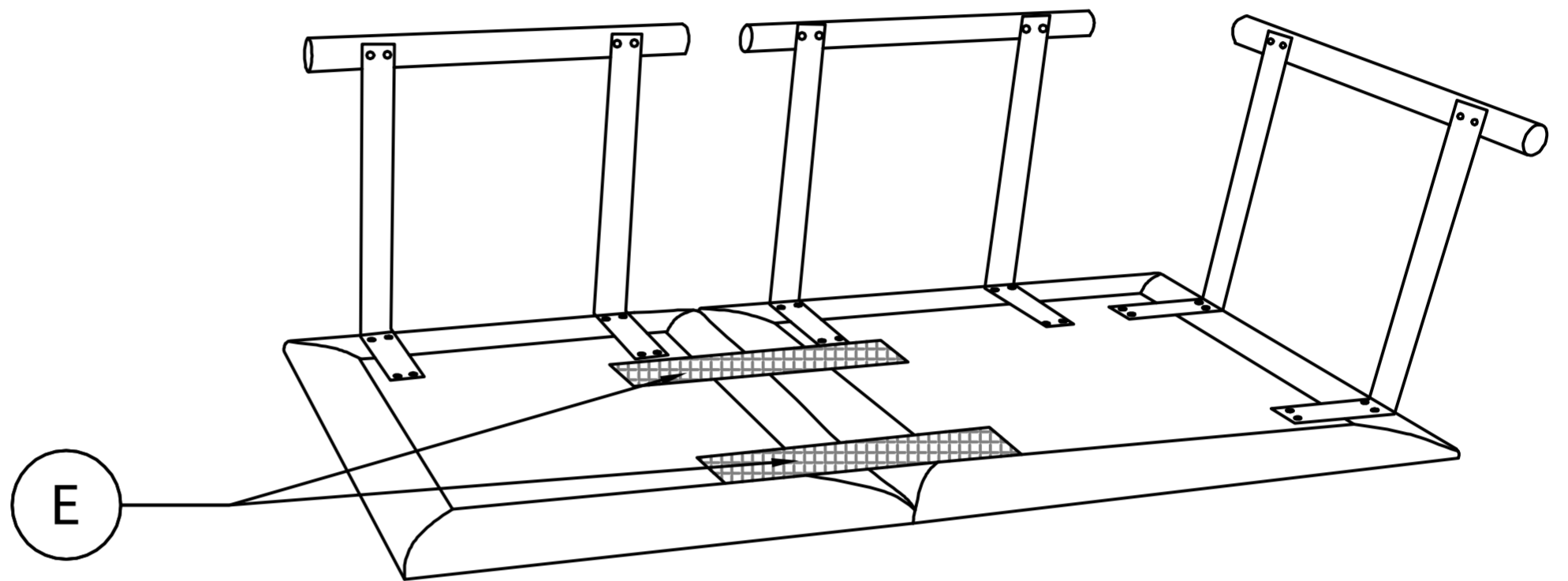
Step2



Step3

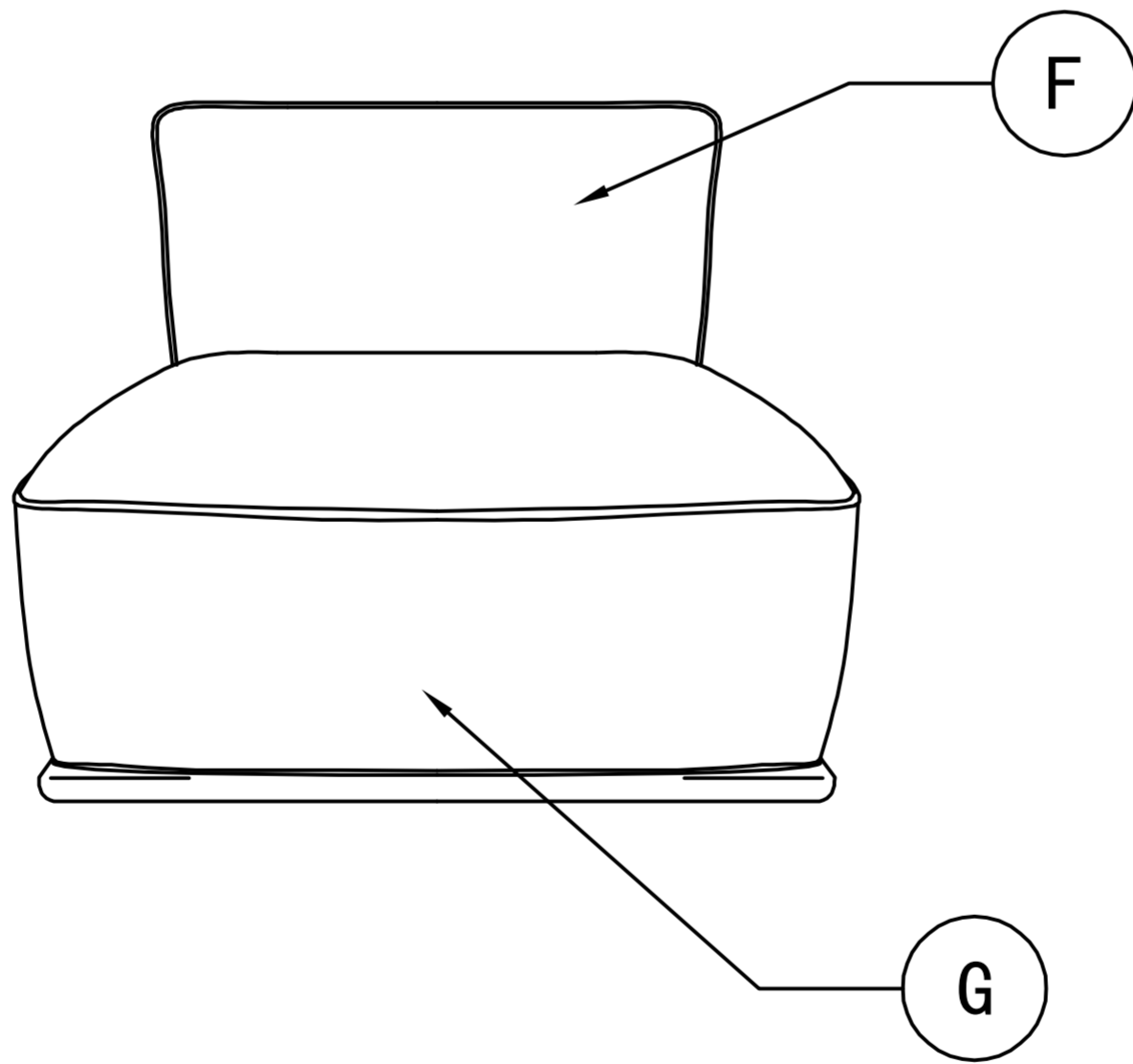


OR

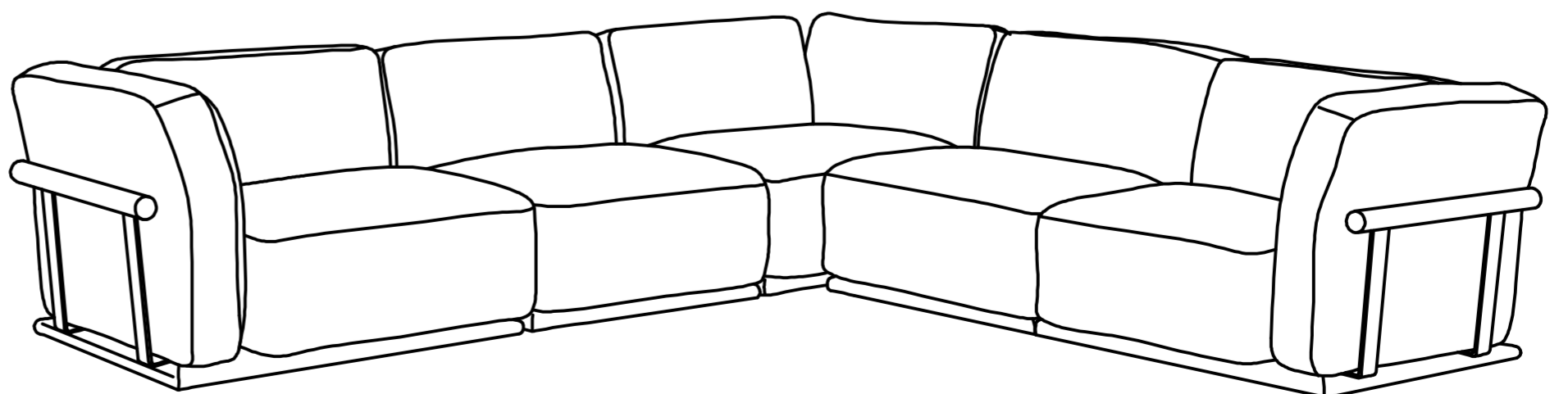


USE VELCRO TO PASTE BASE (A) OF THE OTHER SOFA TO JOINT TOGETHER

Step4

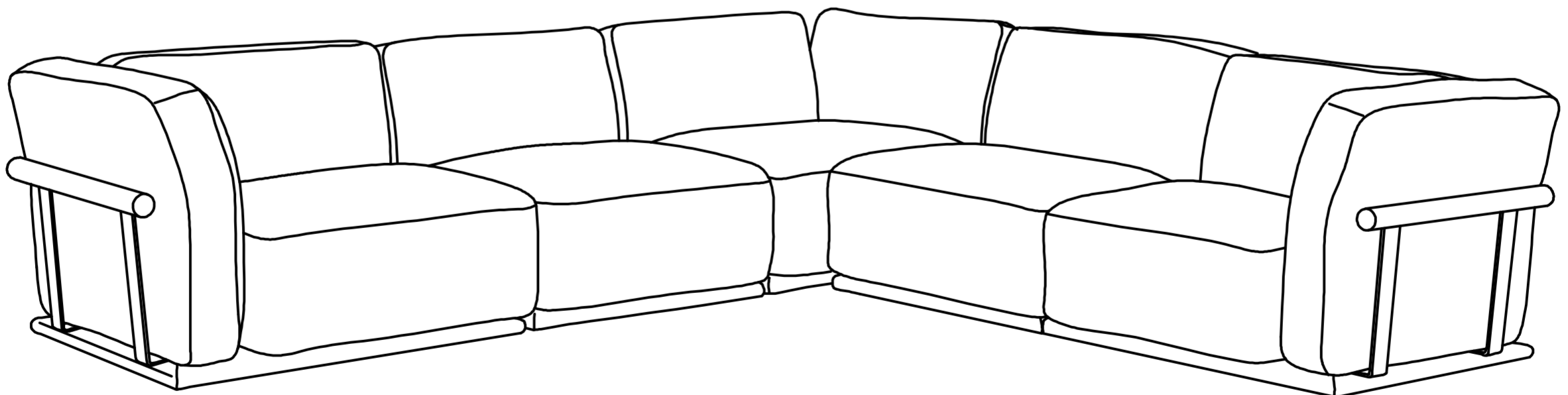
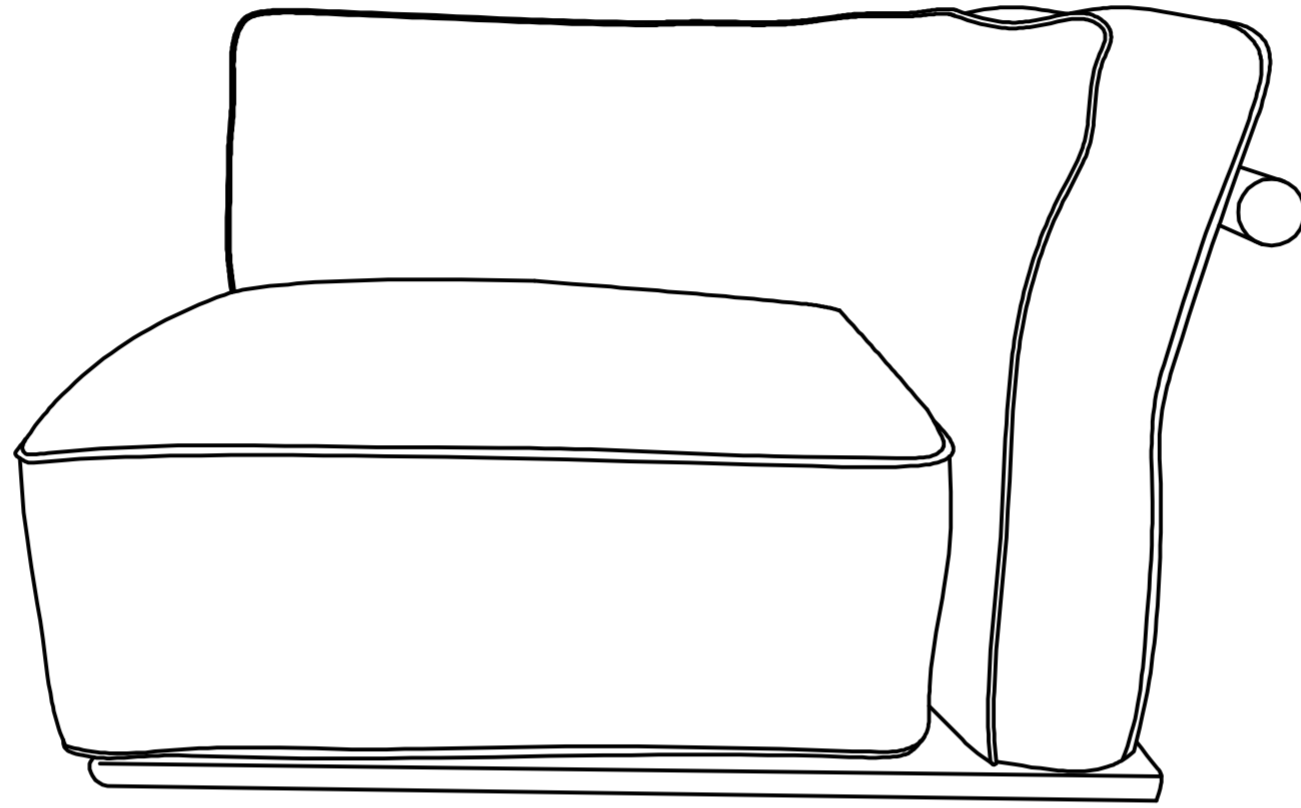


OR

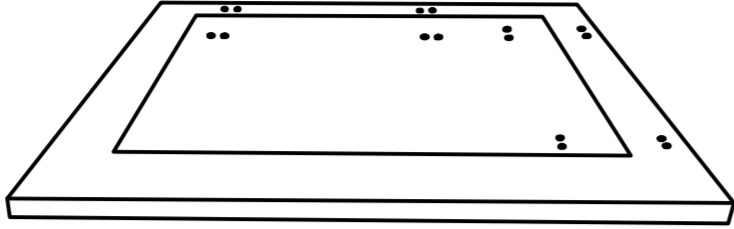
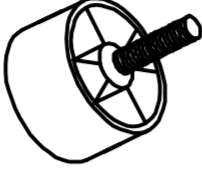
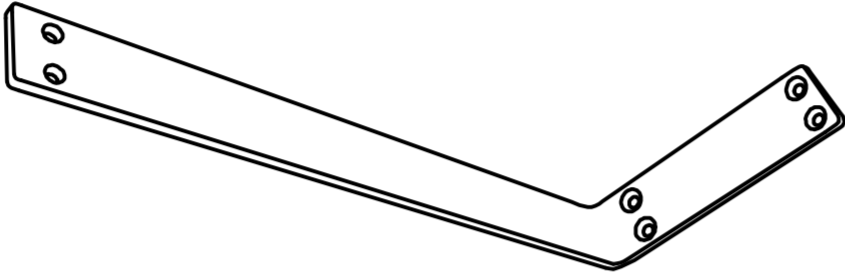
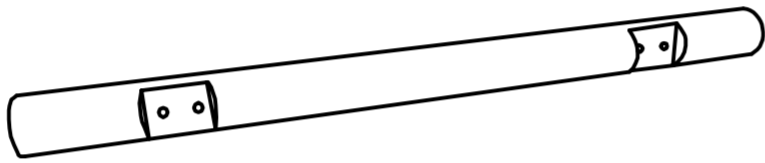
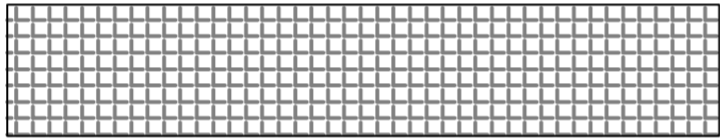
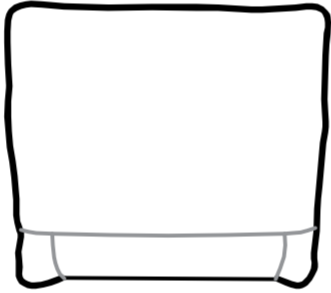
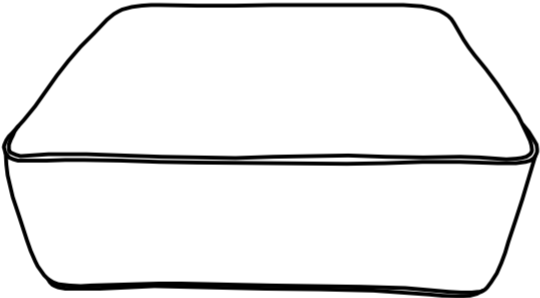


Mix and match with other sofas from the same series for customizable DIY combinations

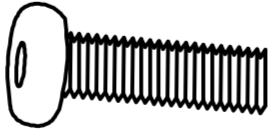
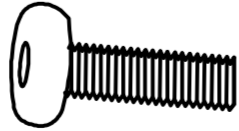
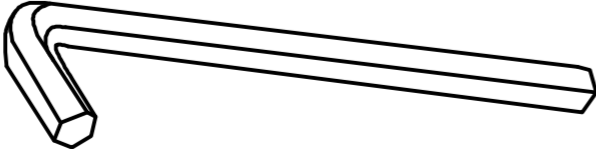
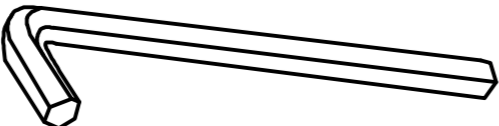
Assembly Instruction



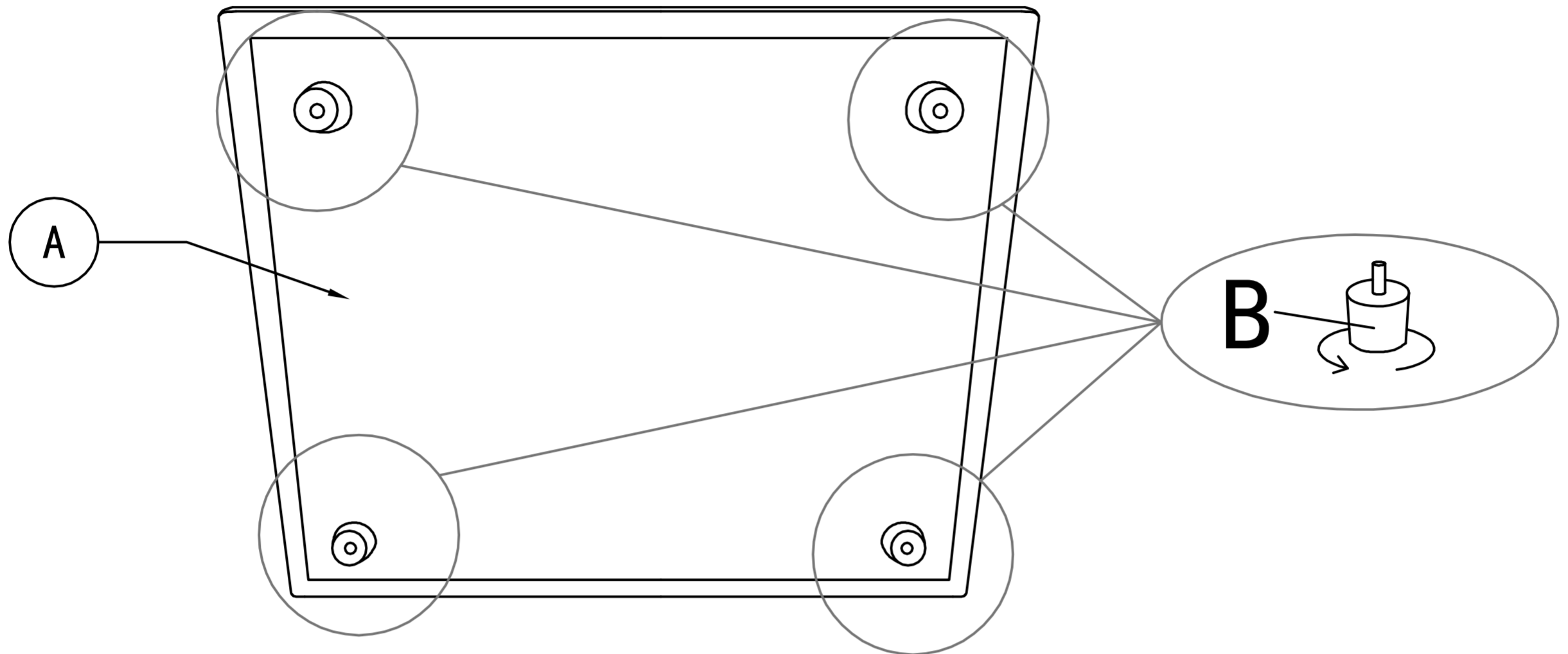
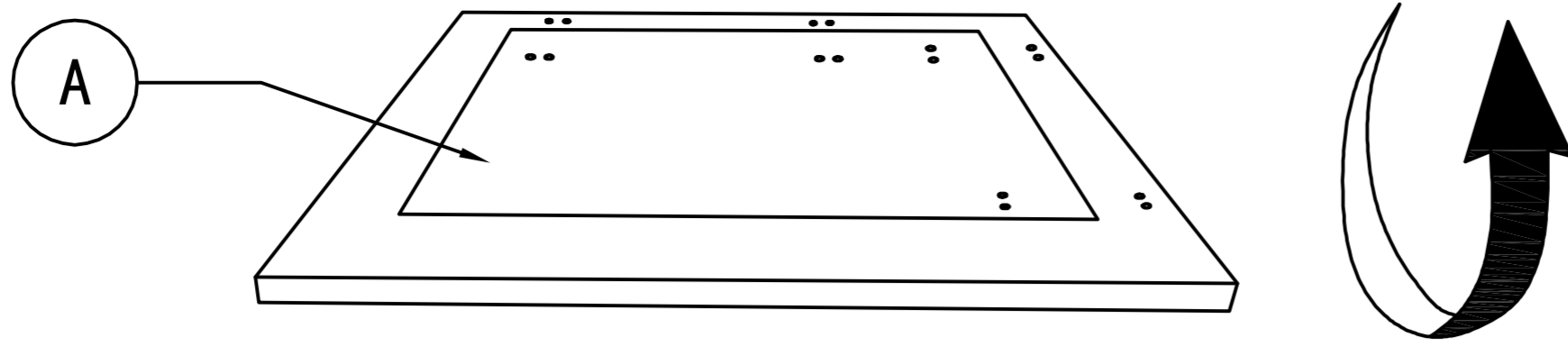
Parts List

Label	Picture	Description	QTY
A		Wood Base	1
B		Leg	4
C		Metal Support	4
D		Wood Support	2
E		Velcro	2
F		Back Cushion	2
G		Seat Cushion	1

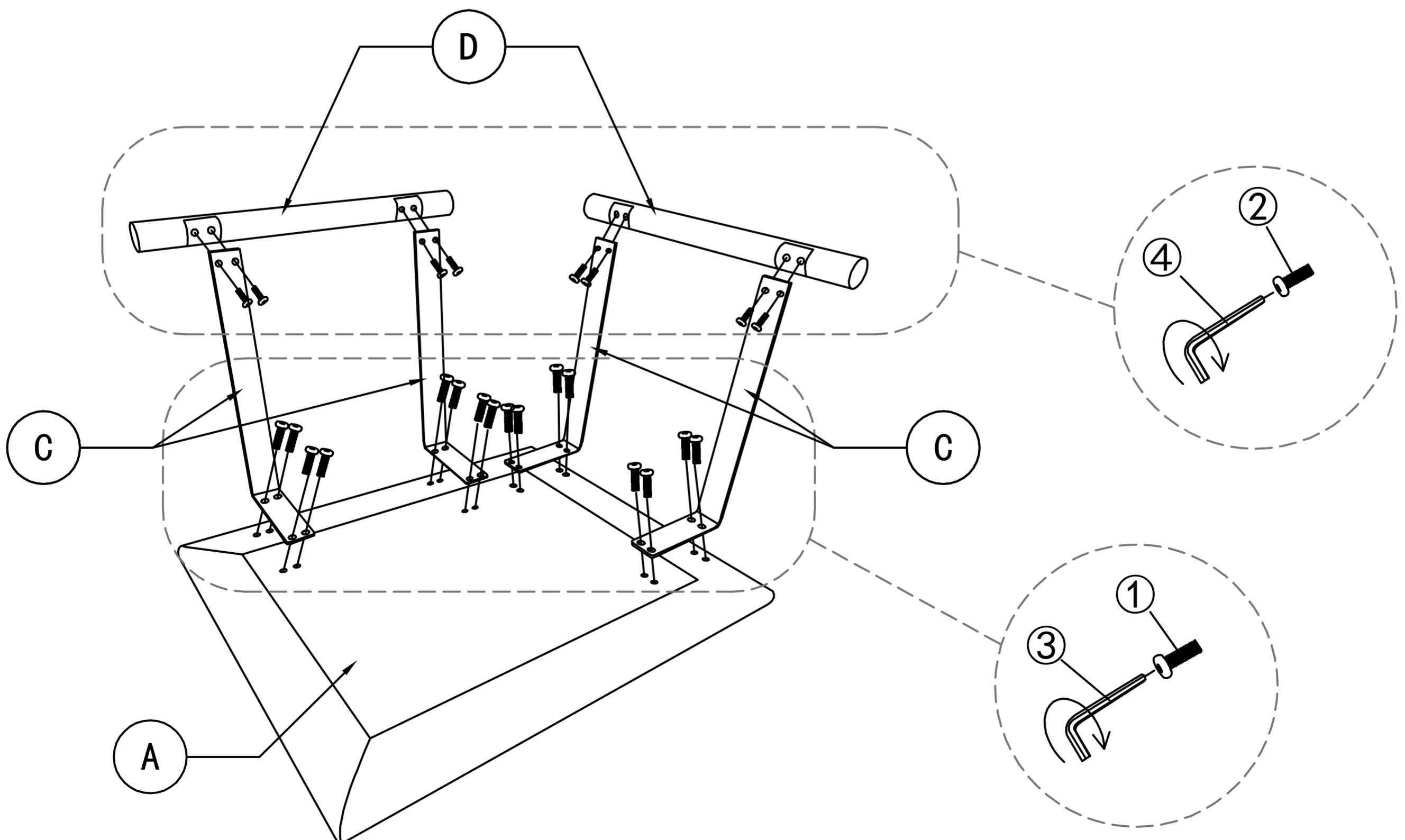
Hardware

Label	Picture	Description	QTY
①		Bolt (M8*25MM)	16
②		Bolt (M6*25MM)	8
③		Allen Key (5mm)	1
④		Allen Key (4mm)	1

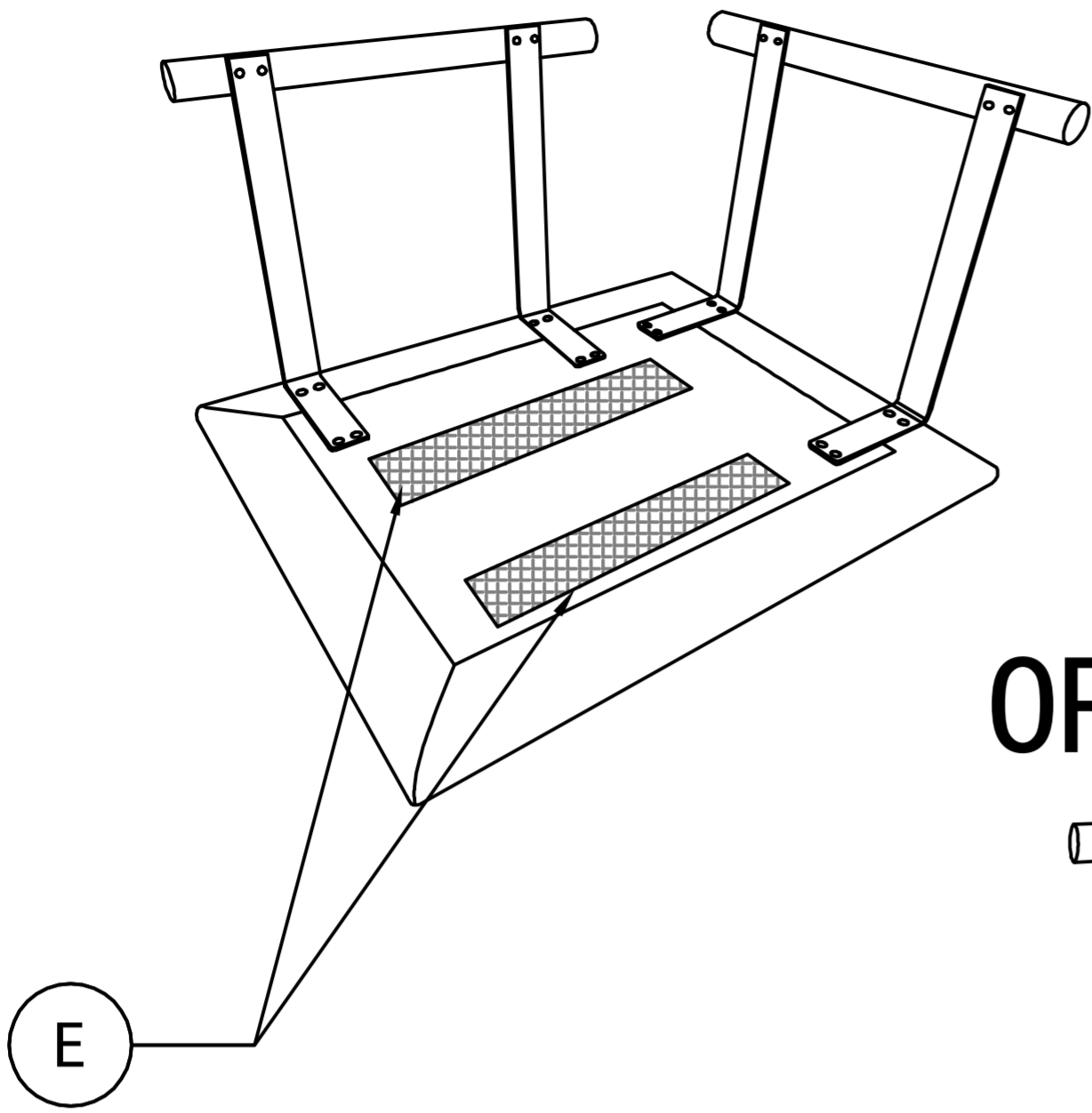
Step1



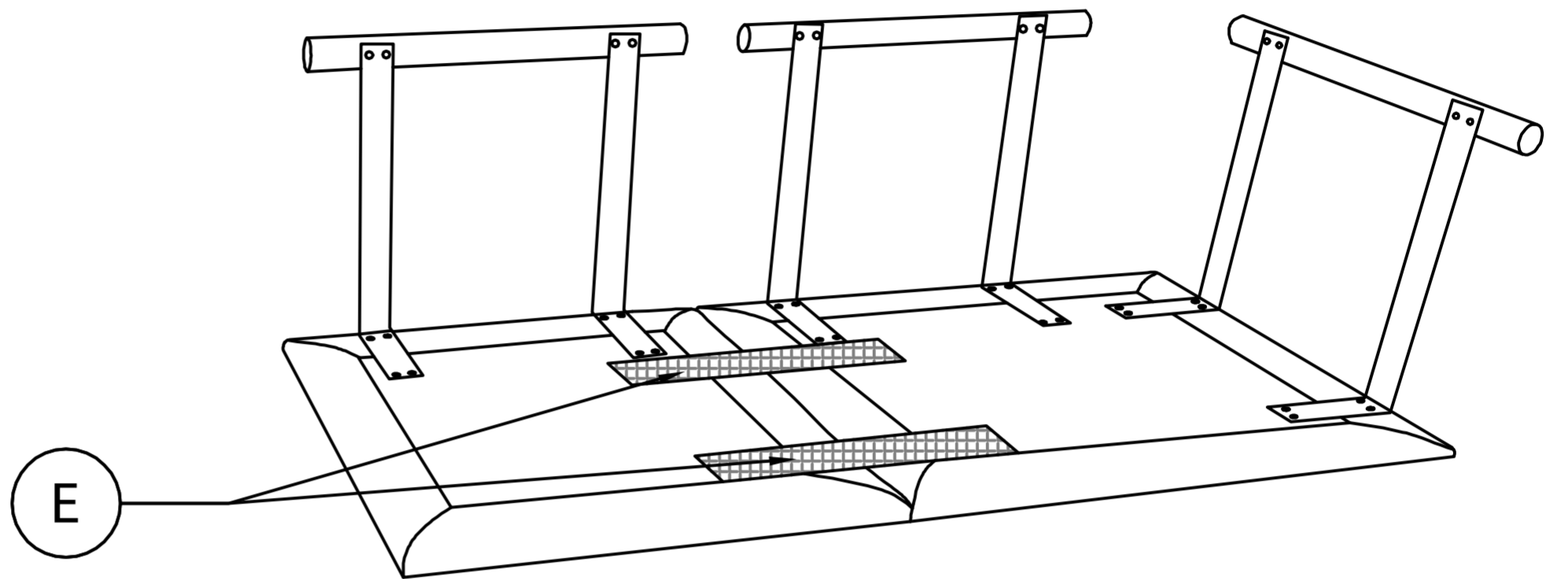
Step2



Step3

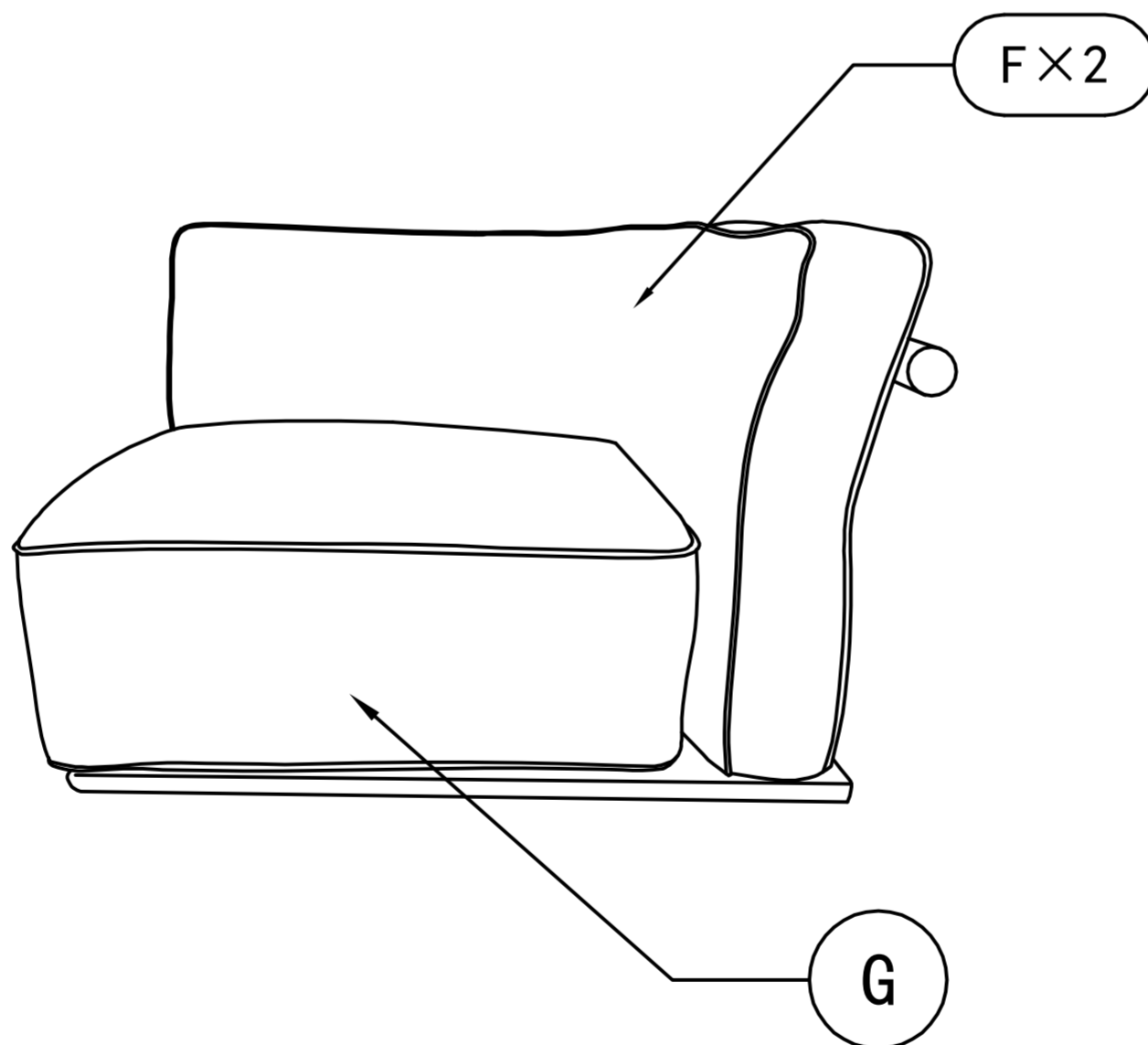


OR

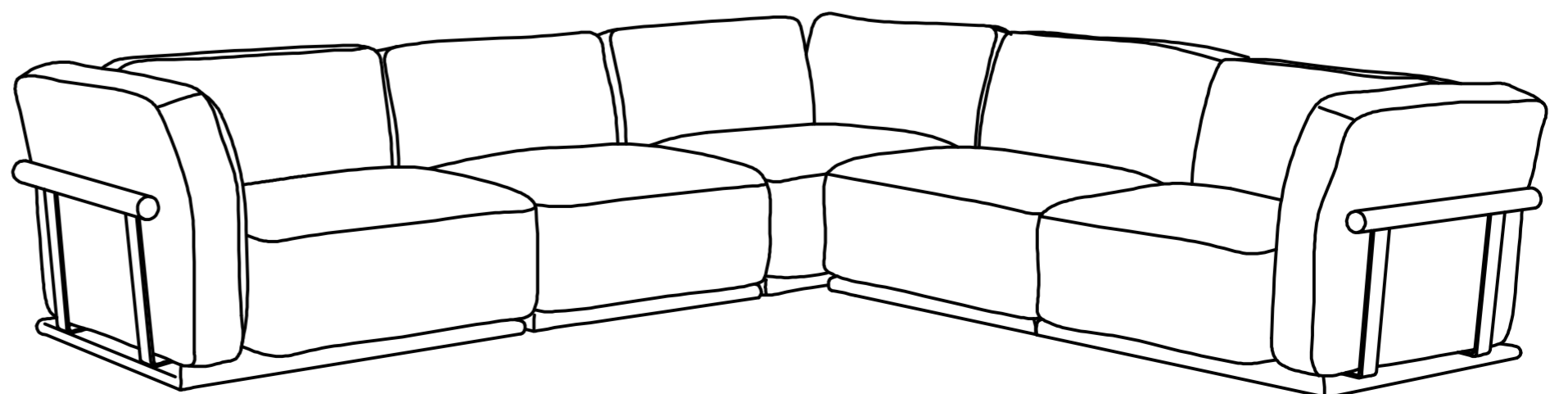


USE VELCRO TO PASTE BASE (A) OF THE OTHER SOFA TO JOINT TOGETHER

Step4



OR



Mix and match with other sofas from the same series for customizable DIY combinations