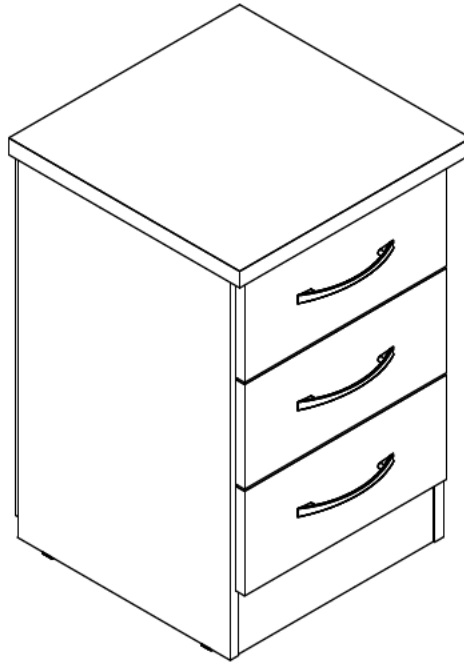


ASSEMBLY INSTRUCTIONS



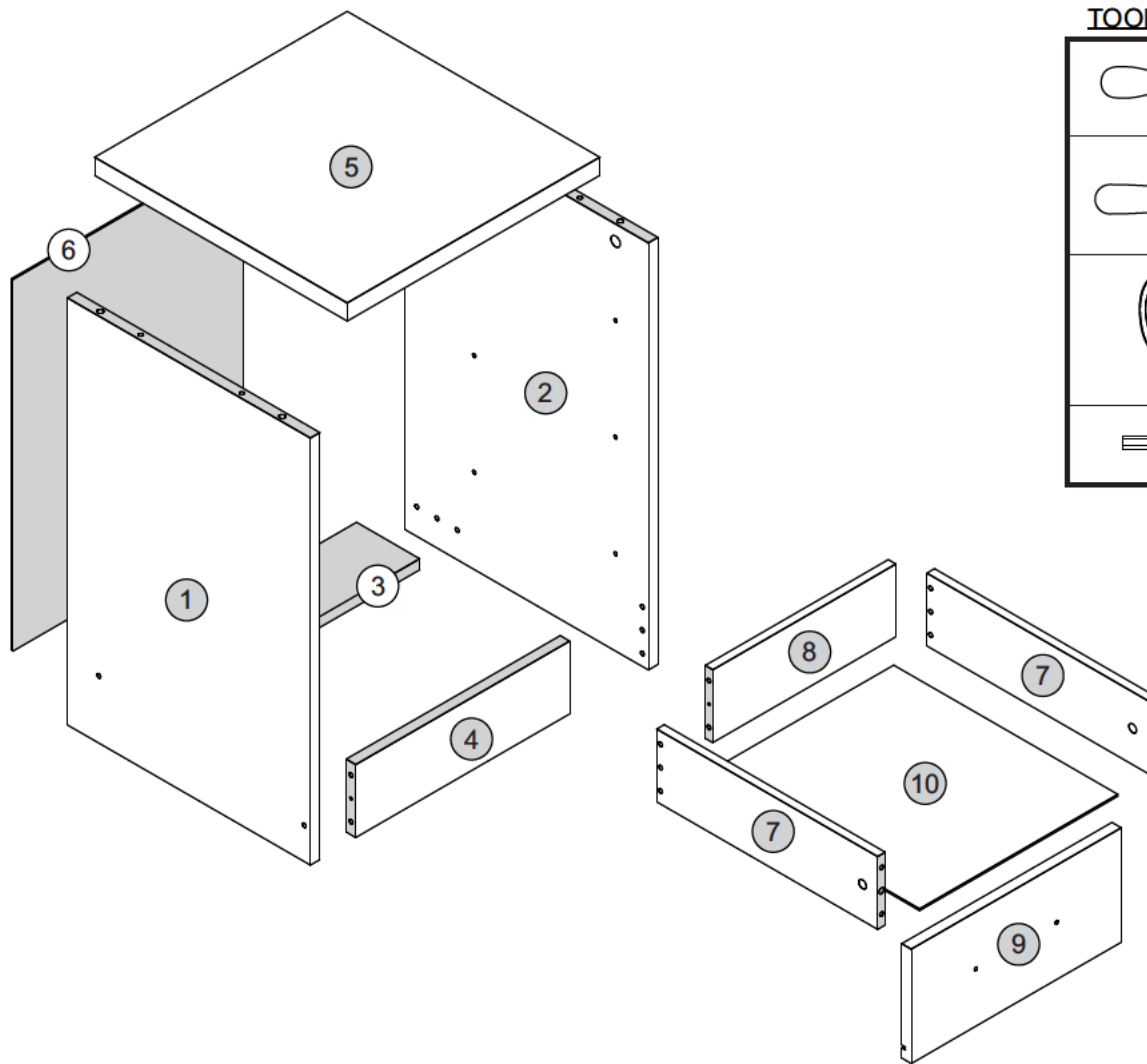
IMPORTANT FOR DOMESTIC USE ONLY

PLEASE READ BEFORE YOU CONTINUE FURTHER

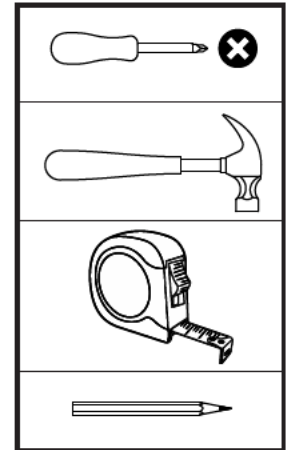
CARE AND MAINTENANCE

After unpacking this product please keep the original packaging in case it needs to be returned for any reason.

- Please ensure all fittings and parts are present before commencing with assembly.
- Never drag or push products as this could cause damage to the joints making it inferior.
- We strongly recommend that you keep children away from your work area.
- We recommend that you lay a blanket or sheet on the floor to avoid damage to both your floor and the product.
- Assemble this product as close to its final position as possible.
- Do not place this product next to a radiator or in direct sunlight.
- Do not drag or push items across your high gloss furniture as this may cause the surface to scratch
- Wood is a natural product and may expand if subjected to damp and may shrink or crack if subjected to heat. Therefore it is recommended that room temperature is maintained, with no sudden temperature fluctuations.
- Make sure any spillage is wiped off immediately.
- Do not place hot or chilled items directly on to the surface, use a place mat or marking will occur.
- For general cleaning use a soft cotton or micro fibre cloth, and do not use detergents of any kind.
- From time to time it may be necessary to tighten fittings, regular inspections should be carried out.
- Do not place on a wet or damp floor as staining may occur to your floor.



TOOLS REQUIRED







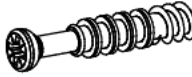
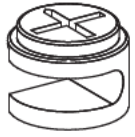




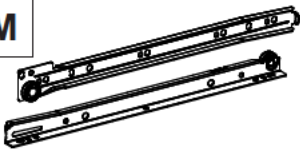






PARTS LIST

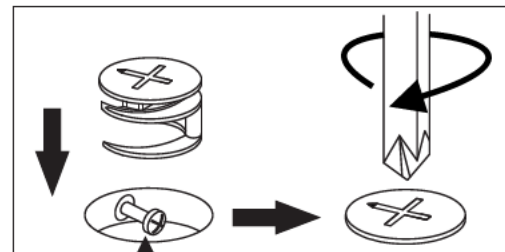
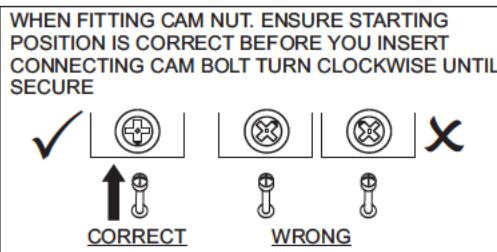
Please Note:
The below parts have all been stamped with the part number to help identify them during assembly.

Part Number	Part Code	Part Description	Quantity	Carton
01	S100-103-059-CA1-01	Left Sid Peanel	1	1/1
02	S100-103-059-CA1-02	Right Side Panel	1	1/1
03	S100-103-059-CA1-03	Back Baseboard	1	1/1
04	S100-103-059-CA1-04	Front Baseboard	1	1/1
05	S100-103-059-CA1-05	Top Panel	1	1/1
06	S100-103-059-CA1-06	Back Panel	1	1/1
07	S100-103-059-CA1-07	Drawer Side	6	1/1
08	S100-103-059-CA1-08	Drawer Back Panel	3	1/1
09	S100-103-059-CA1-09	Drawer Front	3	1/1
10	S100-103-059-CA1-10	Drawer Bottom	3	1/1

FITTINGS LIST

<p>A</p>  <p>Flat Head Screw 2/+ Ø6,0 x 10mm (12x)</p>	<p>B</p>  <p>Flat Head Screw 2/+ Ø4,0 x 14mm (18x)</p>	<p>C</p>  <p>Flan Head Screw Ø4,0 x 22mm (6x)</p>	<p>D</p>  <p>Flat Head Screw 1/+ Ø4,0 x 50mm (10x)</p>
<p>E</p>  <p>2/+ Dowel Ø6,0 x 30mm (36x)</p>	<p>F</p>  <p>2/+ Nail 10 x 10 (42x)</p>	<p>G</p>  <p>2/+ Cam Bolt (10x)</p>	<p>H</p>  <p>1/+ Cam Nut Ø12mm (6x)</p>
<p>I</p>  <p>1/+ Plastic Foot (4x)</p>	<p>J</p>  <p>2/+ Hole Plugs (10x)</p>	<p>K</p>  <p>Glue (1x)</p>	<p>L</p>  <p>Handle (3x)</p>
<p>M</p>  <p>Drawer Runners (3x)</p>	<p>N</p>  <p>1/+ Cam Nut Ø15mm (4x)</p>	<p>O</p>  <p>Strap (1x)</p>	<p>P</p>  <p>Flan Head Screw 1/+ Ø3,5 x 30mm (1x)</p>
<p>Q</p>  <p>1/+ Washer (2x)</p>			

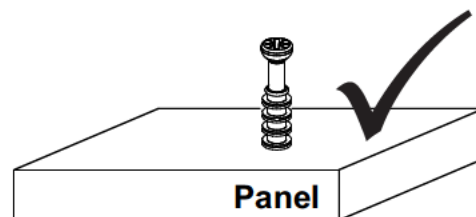
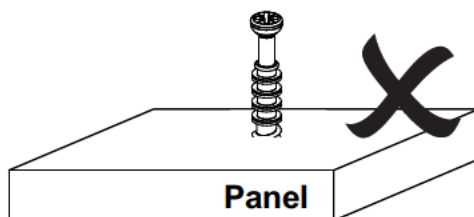
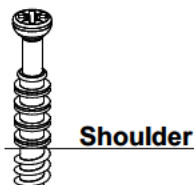
TIPS FOR FITTINGS CAM-LOCKS



Cam bolt head needs to be in centre

CAMBOLT

Tighten until shoulder in flush with panel. Do not overtighten or undertighten (see example beside)





STEP 1

PARTS REQUIRED


1 LEFT SIDE PANEL x1

HARDWARE REQUIRED

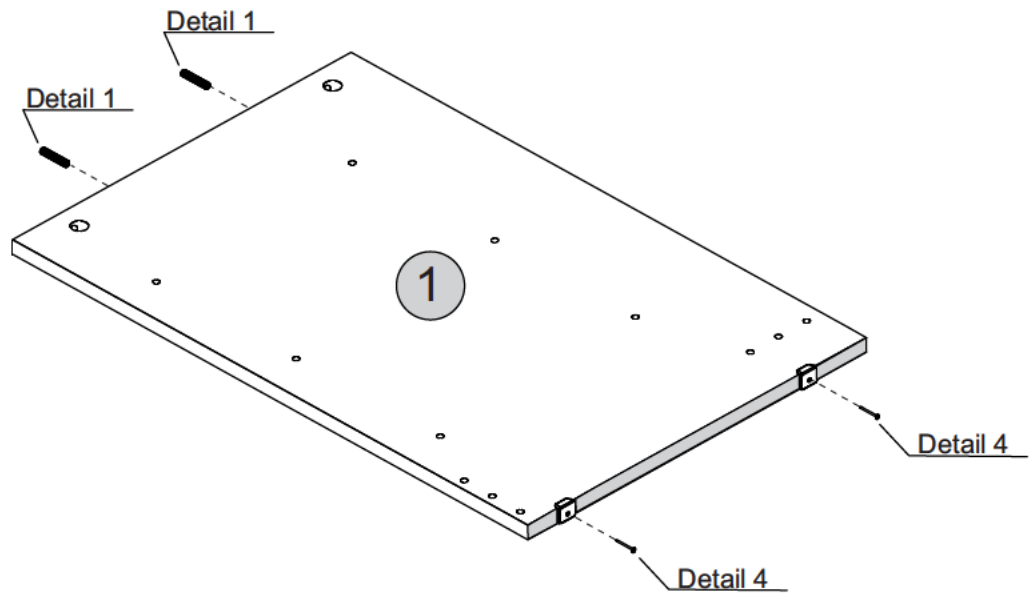
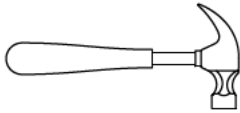
E  02
Ø6,0 x 30mm

F  02
10 x 10

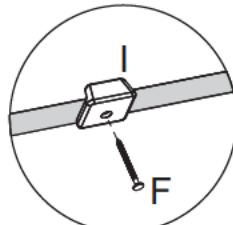
I  02

K  01
GLUE

TOOLS REQUIRED



Detail 1




Detail 4


STEP 2

PARTS REQUIRED

2 RIGHT SIDE PANEL x1

HARDWARE REQUIRED

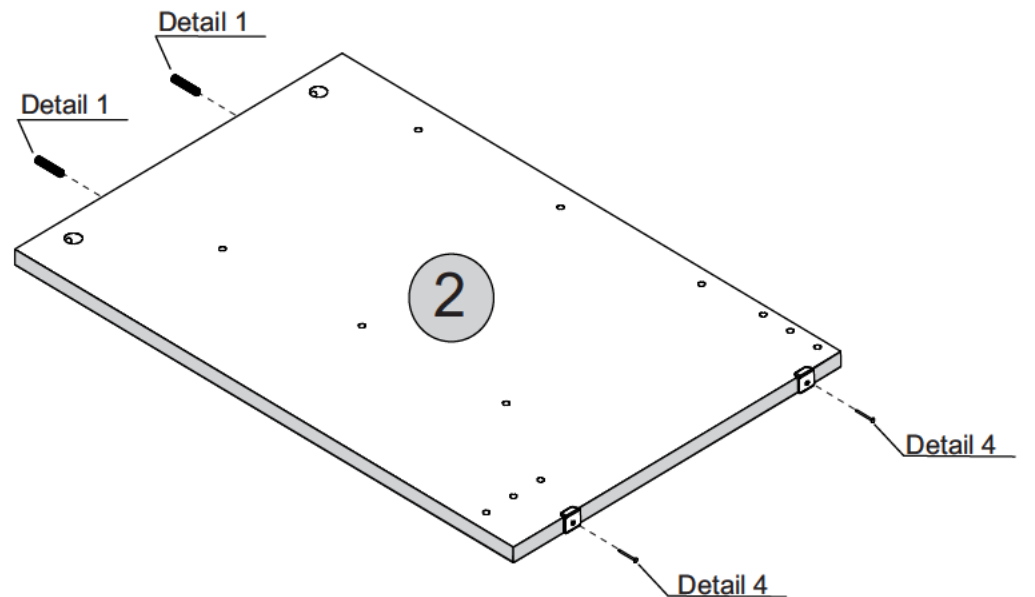
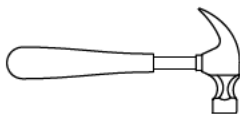
E  02
Ø6,0 x 30mm

F  02
10 x 10

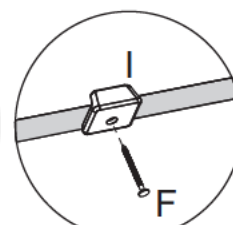
I  02

K  01
GLUE

TOOLS REQUIRED



Detail 1




Detail 4

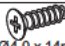
STEP 3

PARTS REQUIRED

2 RIGHT SIDE PANEL x1

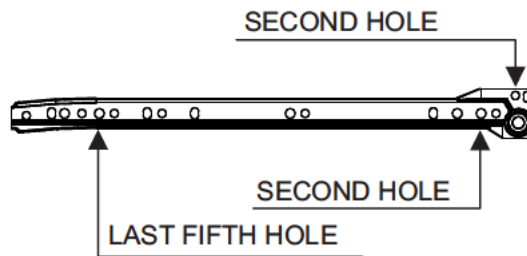
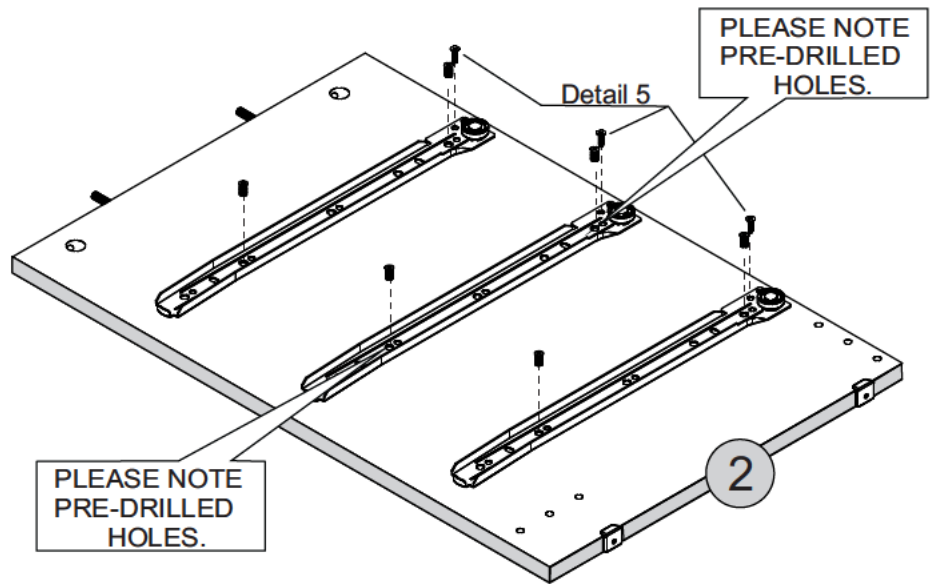
HARDWARE REQUIRED

A  06
Ø6,0 x 10mm

B  03
Ø4,0 x 14mm

M  03
RIGHT

TOOLS REQUIRED




Detail 5


STEP 4

PARTS REQUIRED

1 LEFT SIDE PANEL x1

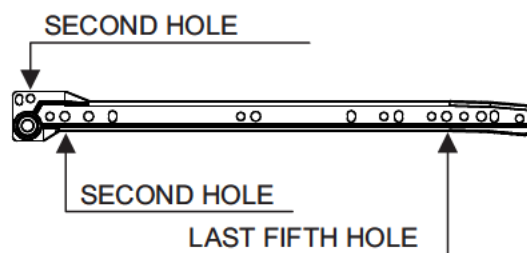
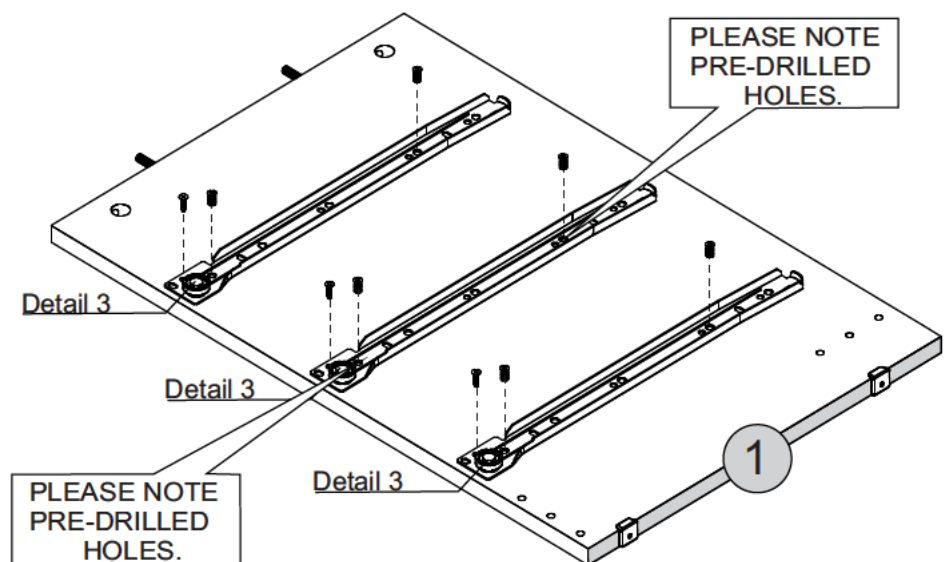
HARDWARE REQUIRED

A  06
Ø6,0 x 10mm

B  03
Ø4,0 x 14mm

M  03
LEFT

TOOLS REQUIRED



Detail 3

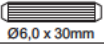
STEP 5

PARTS REQUIRED

3 BACK BASEBOARD x1

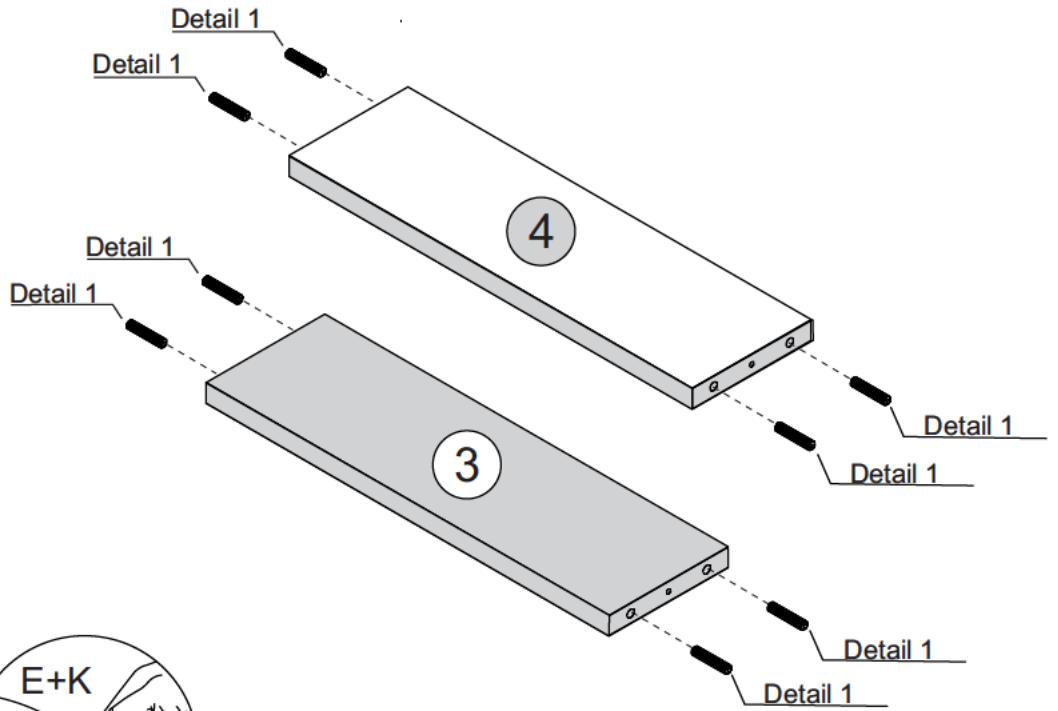
4 FRONT BASEBOARD x1

HARDWARE REQUIRED

E  08
Ø6,0 x 30mm

K  01

TOOLS REQUIRED



STEP 6

PARTS REQUIRED

2 RIGHT SIDE PANEL x1

3 BACK BASEBOARD x1

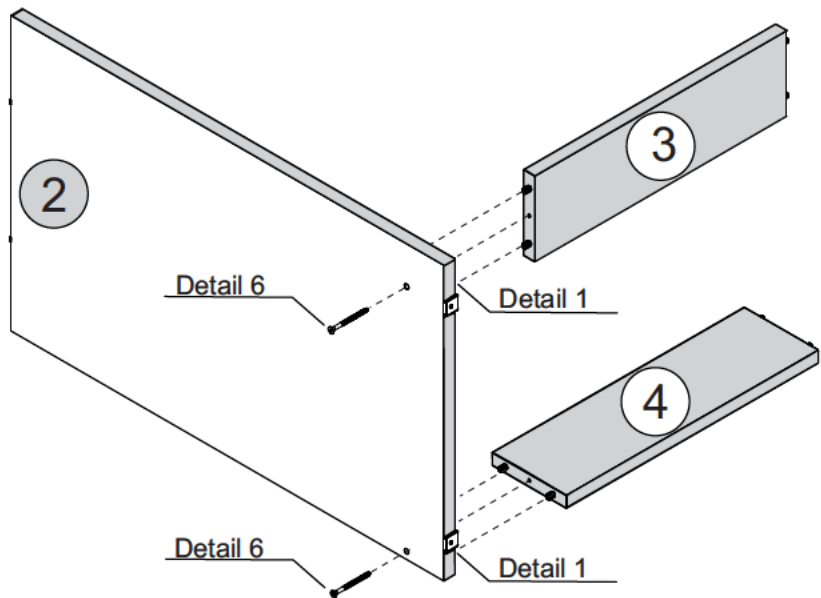
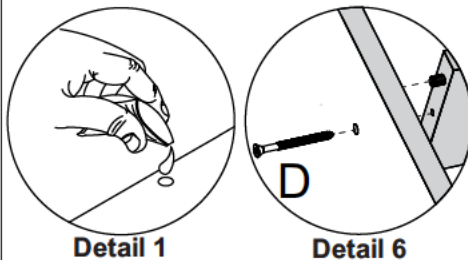
4 FRONT BASEBOARD x1

HARDWARE REQUIRED

D  02
Ø4 x 50mm

K  01

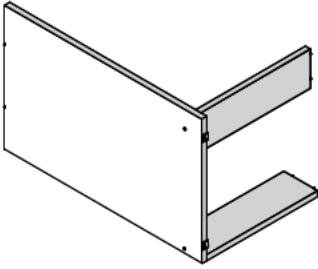
TOOLS REQUIRED



STEP 7

PARTS REQUIRED

1 LEFT SIDE PANEL x1

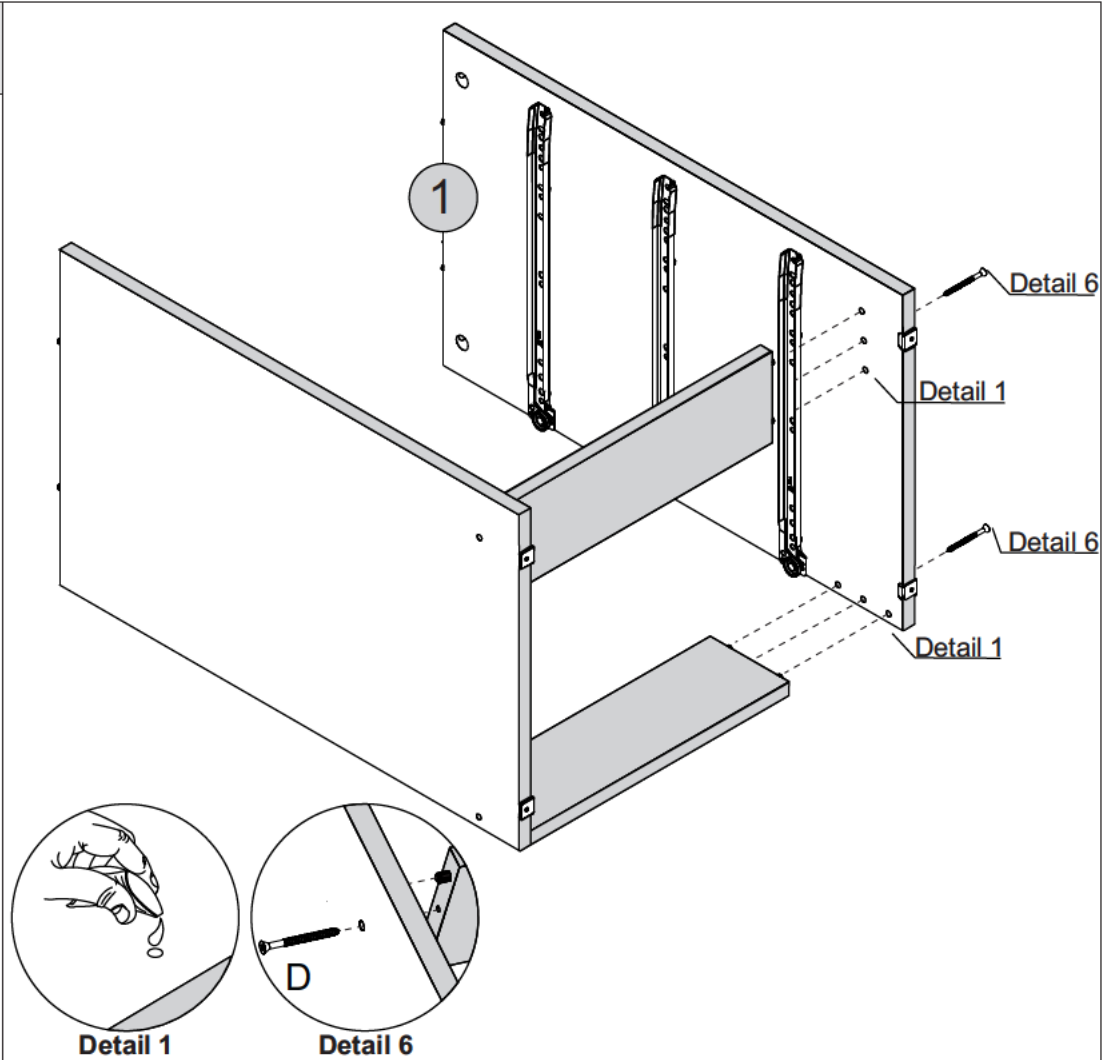


HARDWARE REQUIRED

D  02
Ø4 x 50mm

K  01
GLUE

TOOLS REQUIRED



STEP 8

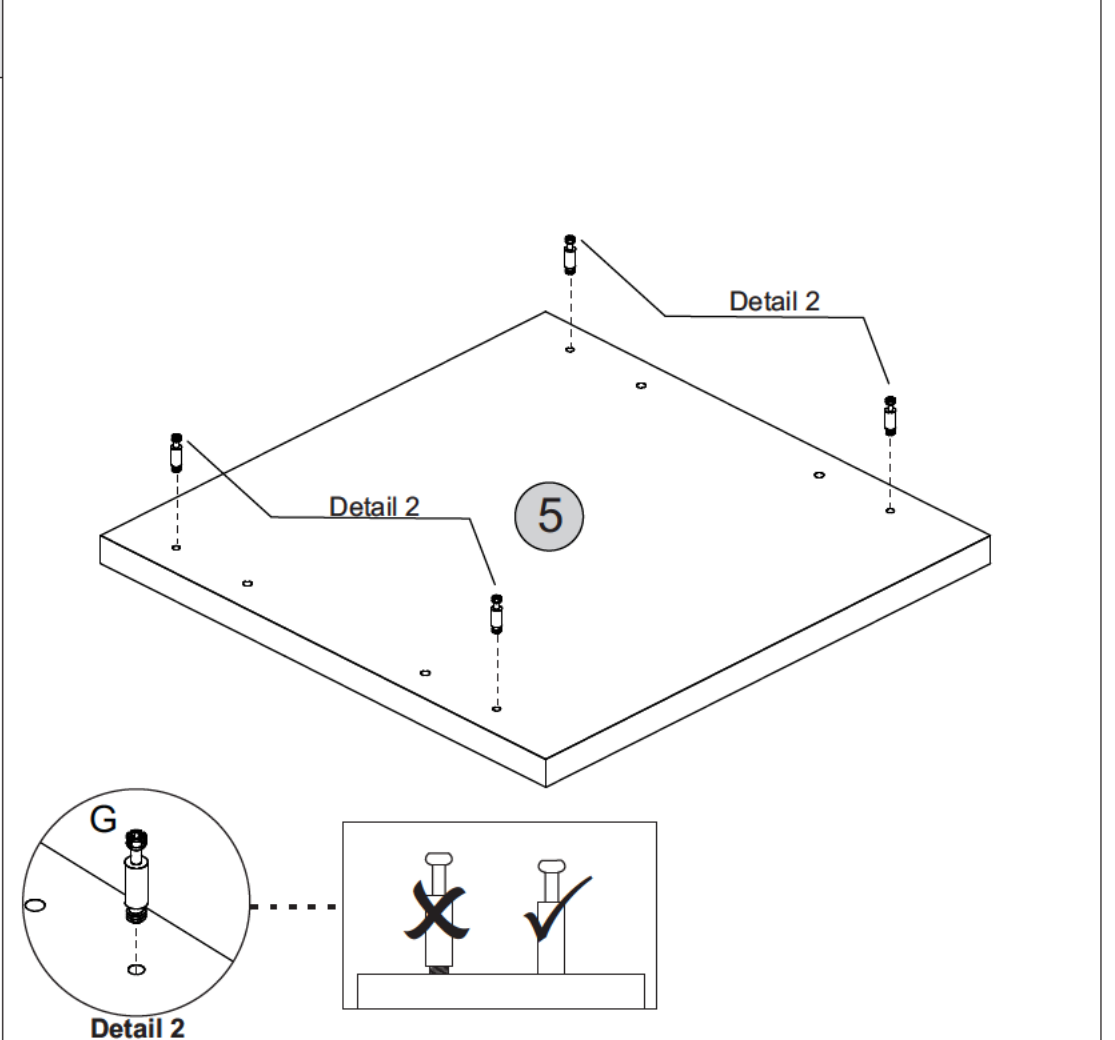
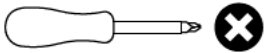
PARTS REQUIRED

5 TOP PANEL x1

HARDWARE REQUIRED

G  04

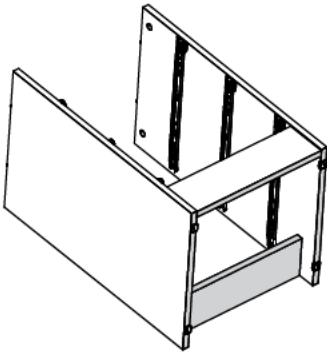
TOOLS REQUIRED



STEP 9

PARTS REQUIRED

5 TOP PANEL x1

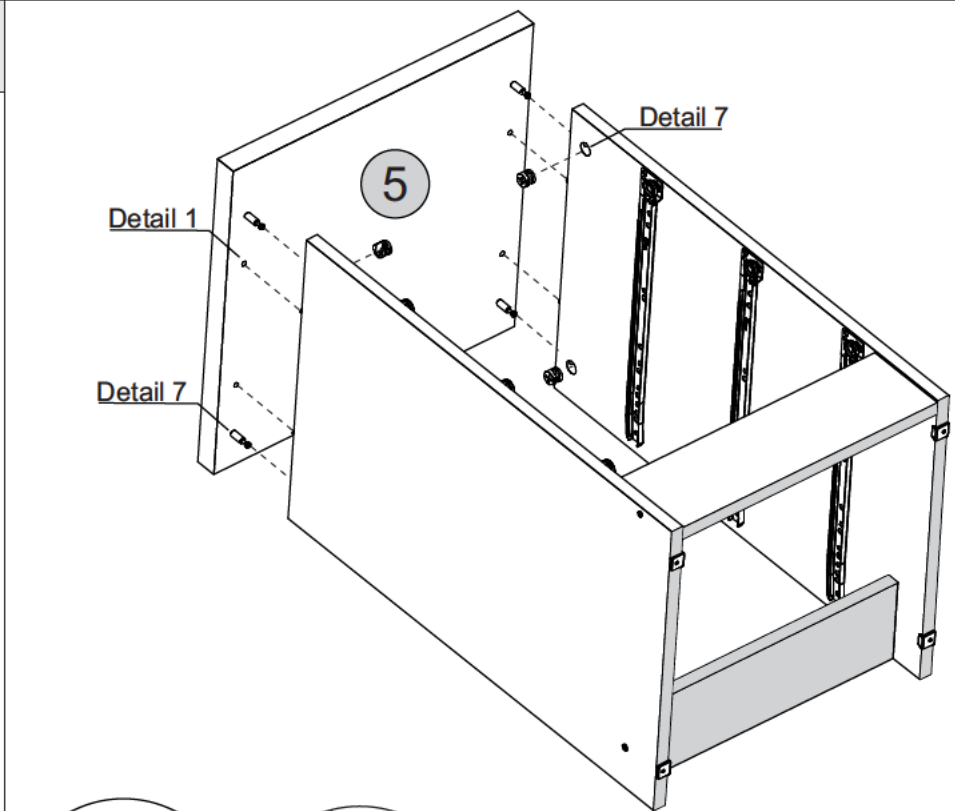
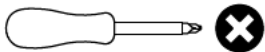


HARDWARE REQUIRED

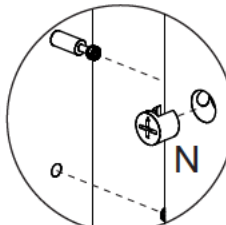
K  01

N  04

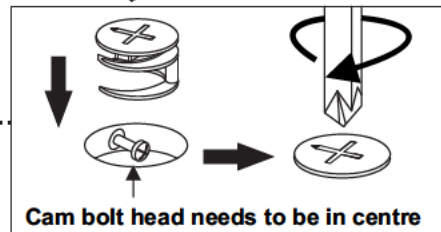
TOOLS REQUIRED



Detail 1



Detail 7

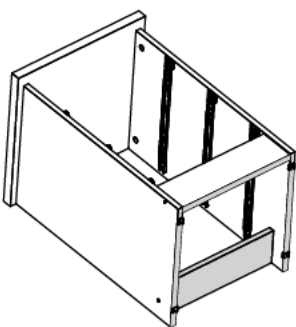


Cam bolt head needs to be in centre

STEP 10

PARTS REQUIRED

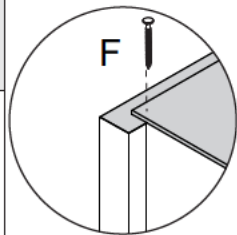
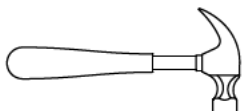
6 BACK PANEL x1



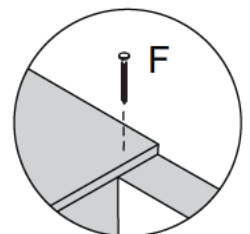
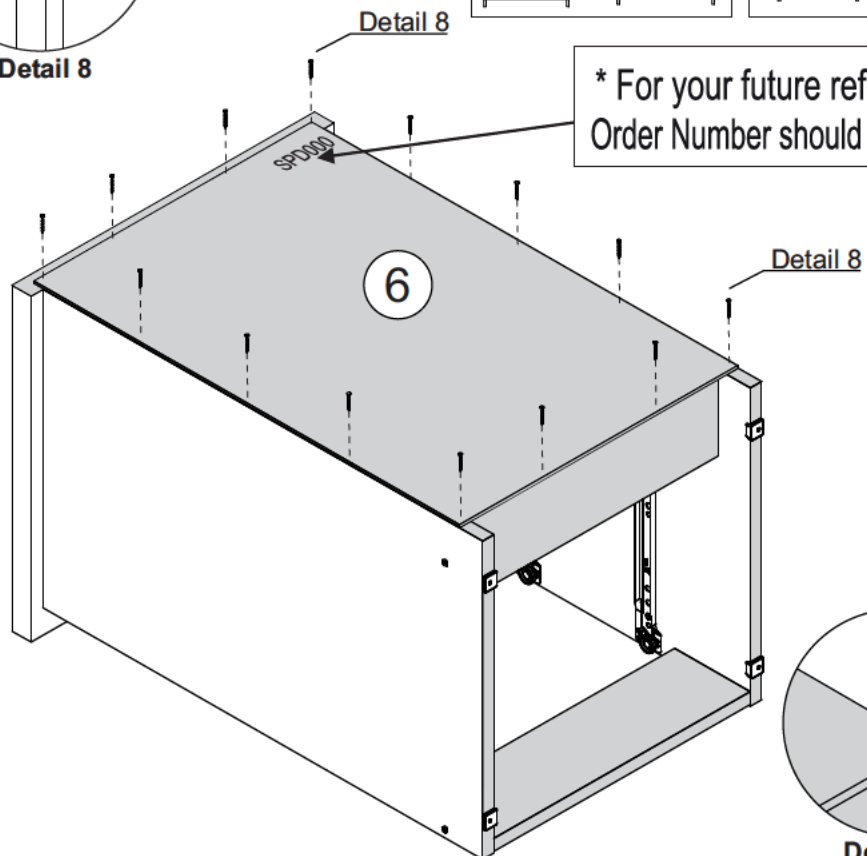
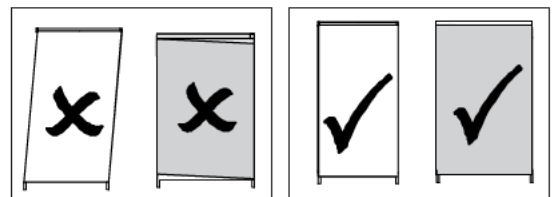
HARDWARE REQUIRED

F  14

TOOLS REQUIRED



Detail 8



Detail 8

STEP 13

PARTS REQUIRED

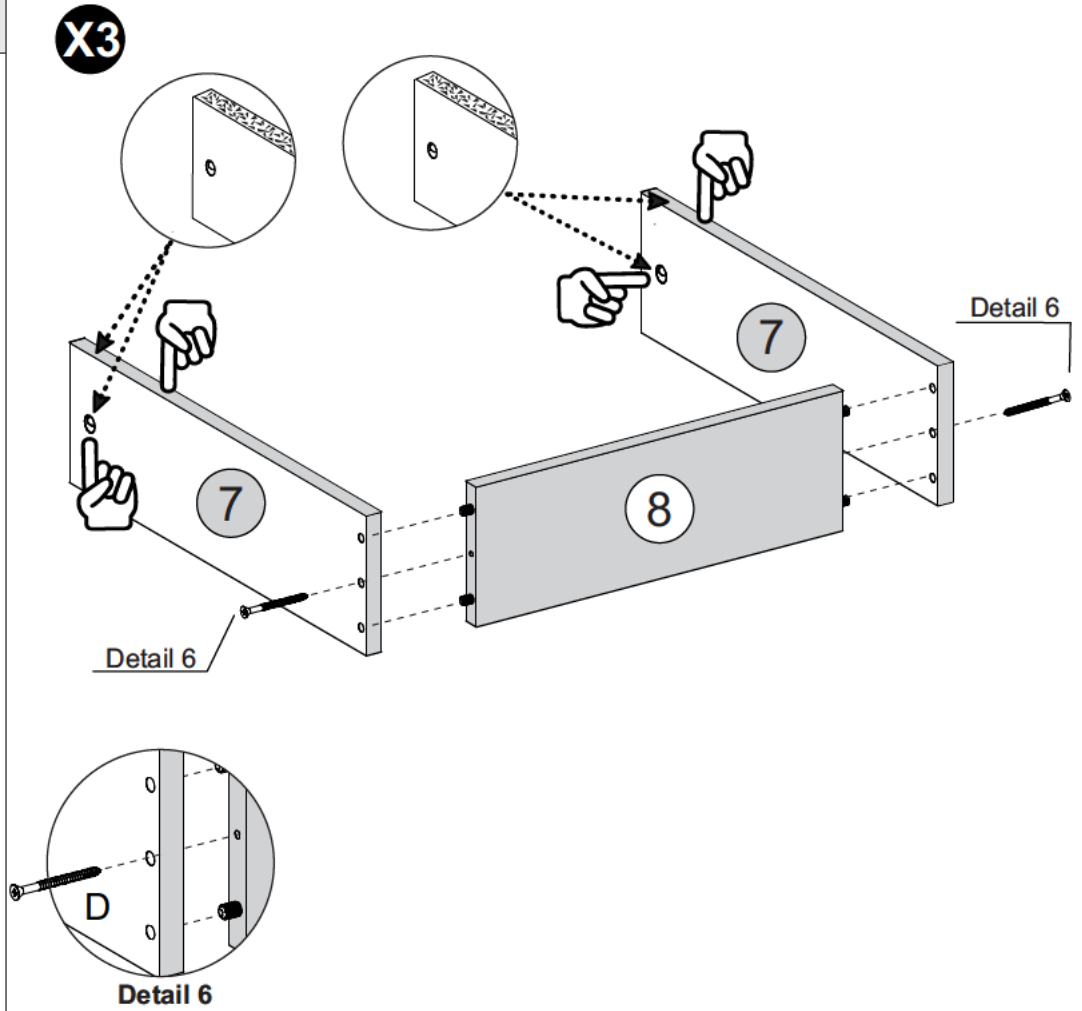
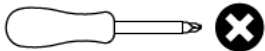
7 DRAWER SIDE x6

8 DRAWER BACK PANEL x3

HARDWARE REQUIRED

D  06
Ø4 x 50mm

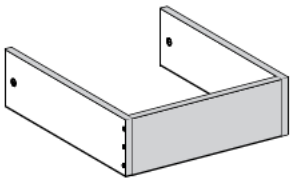
TOOLS REQUIRED



STEP 14

PARTS REQUIRED

9 DRAWER FRONT x3

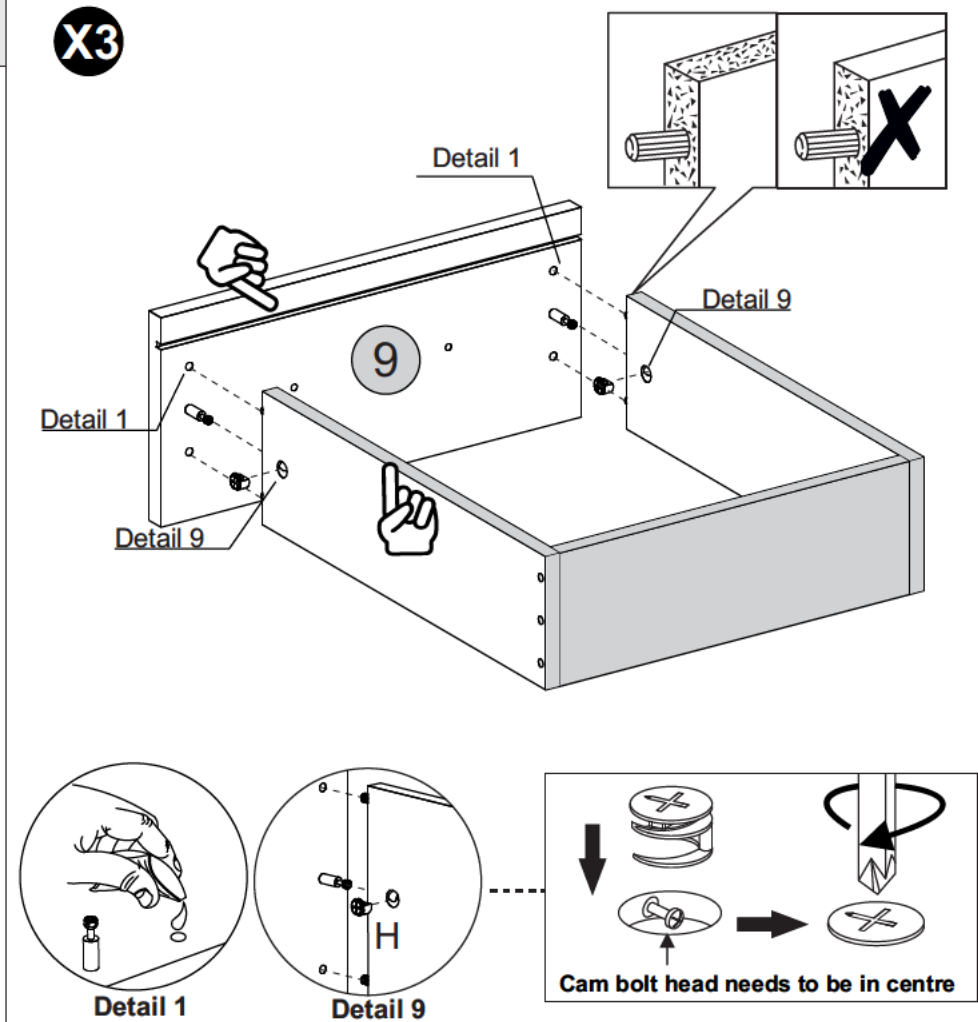


HARDWARE REQUIRED

H  06

K  01
GLUE

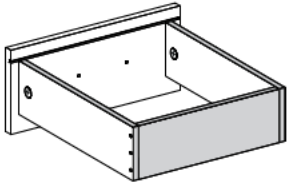
TOOLS REQUIRED



STEP 15

PARTS REQUIRED

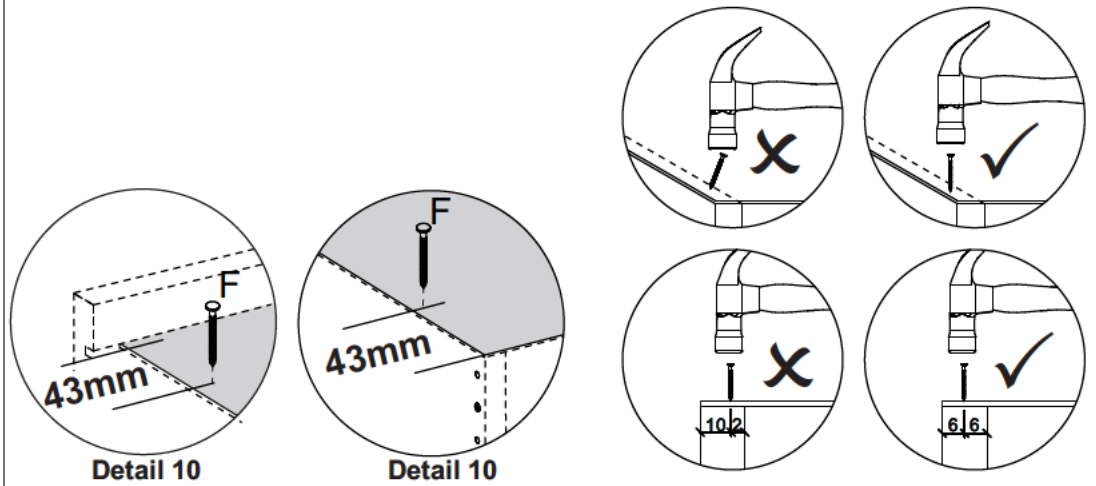
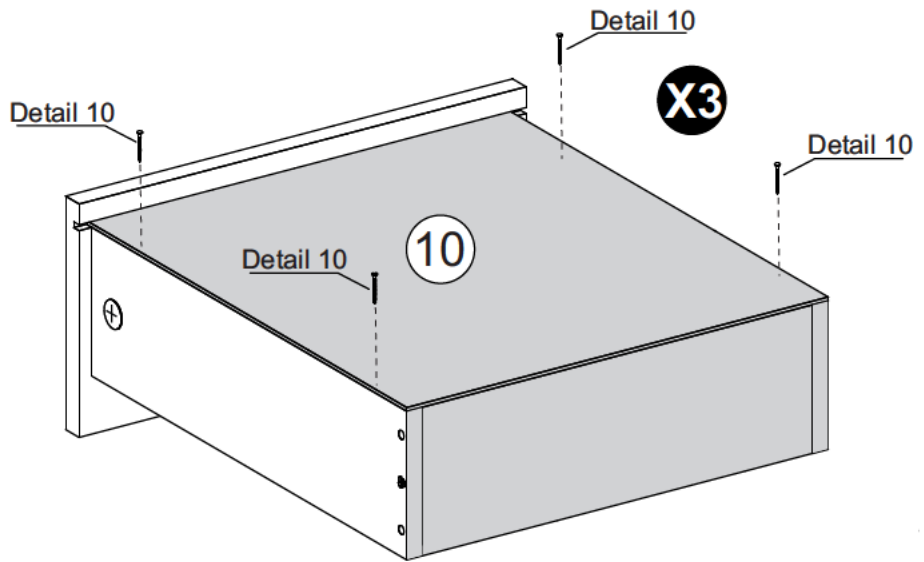
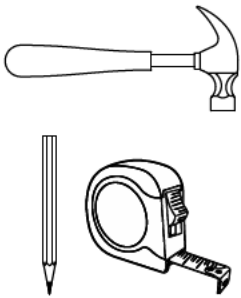
10 DRAWER BOTTOM x3



HARDWARE REQUIRED

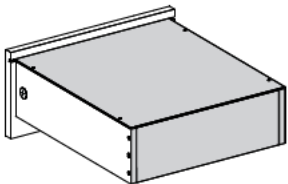
F  12
10 x 10

TOOLS REQUIRED



STEP 16

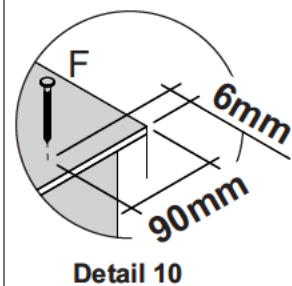
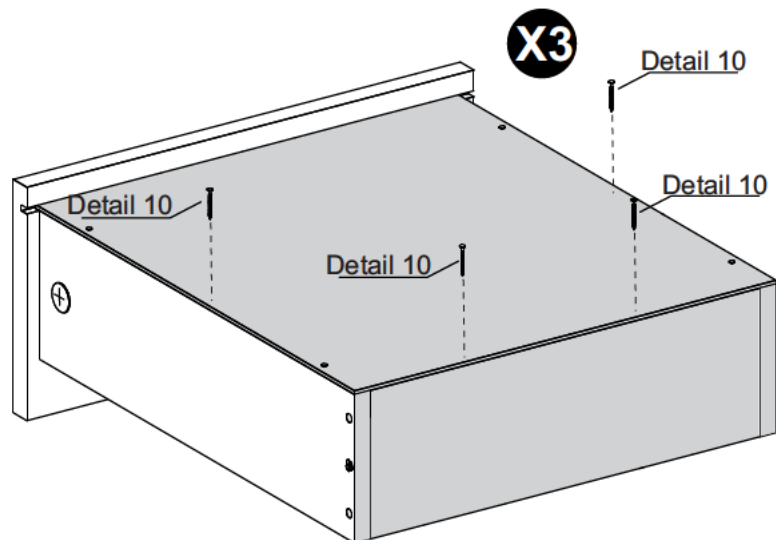
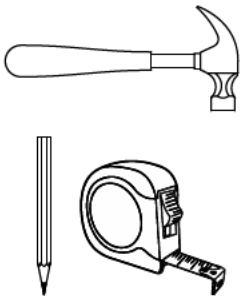
PARTS REQUIRED



HARDWARE REQUIRED

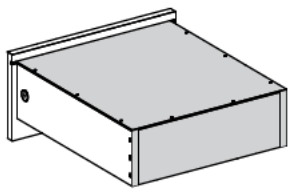
F  12
10 x 10

TOOLS REQUIRED

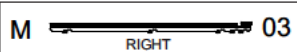
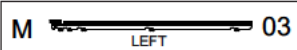
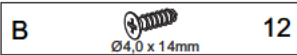


STEP 17

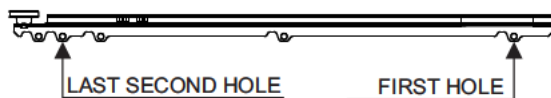
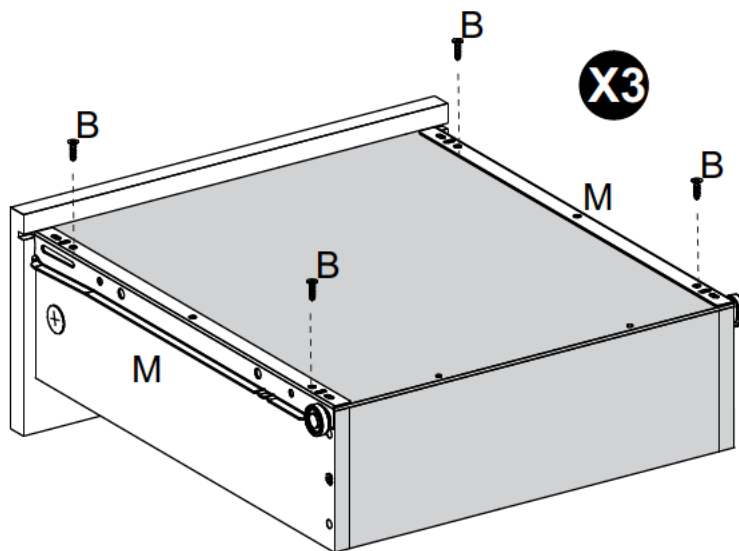
PARTS REQUIRED



HARDWARE REQUIRED

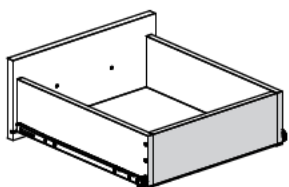


TOOLS REQUIRED

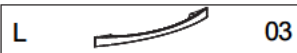


STEP 18

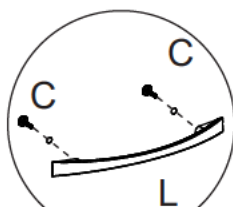
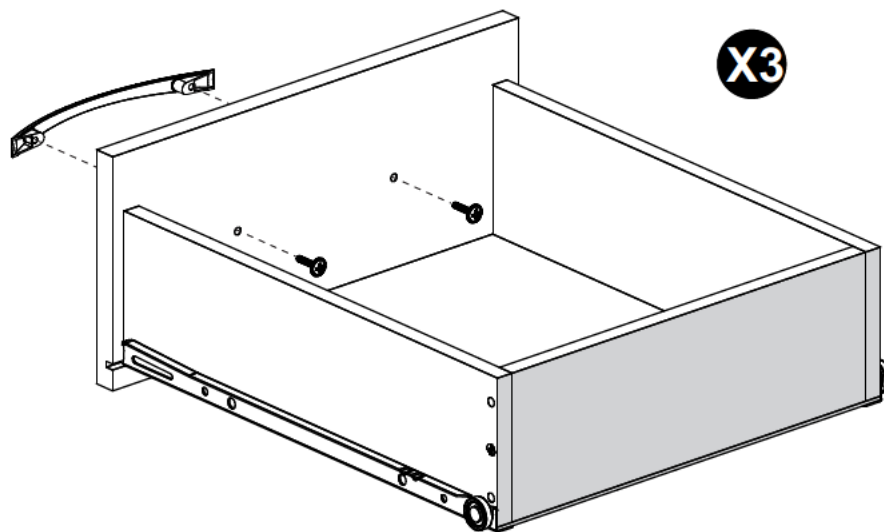
PARTS REQUIRED



HARDWARE REQUIRED



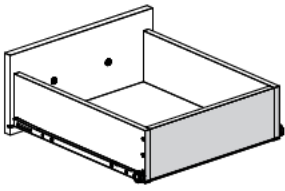
TOOLS REQUIRED



Detail 11

STEP 19

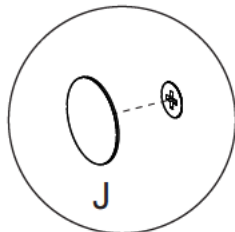
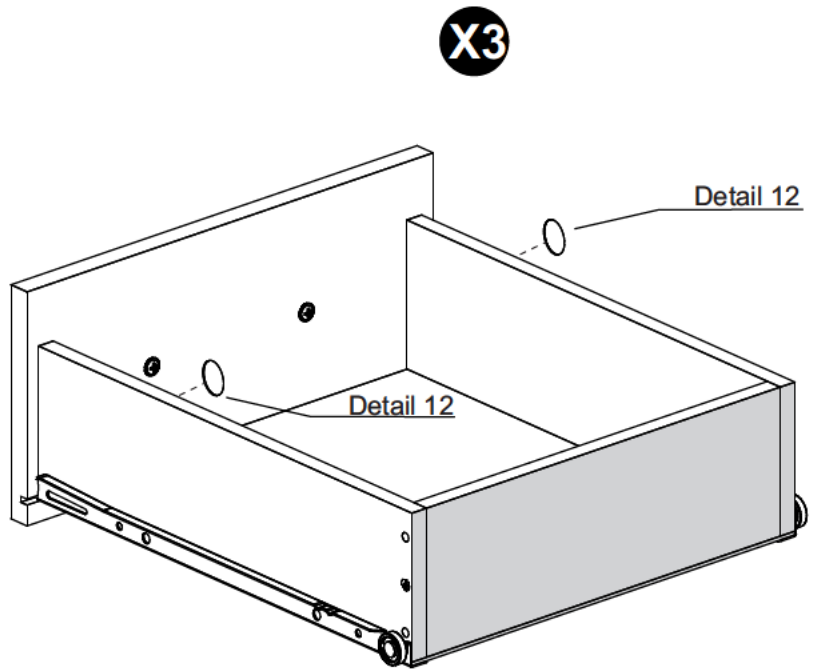
PARTS REQUIRED



HARDWARE REQUIRED



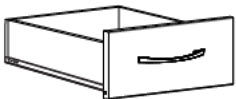
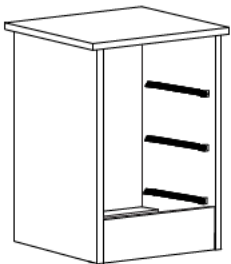
TOOLS REQUIRED



Detail 12

STEP 20

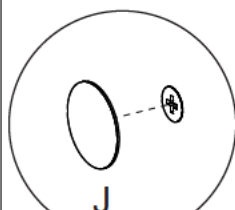
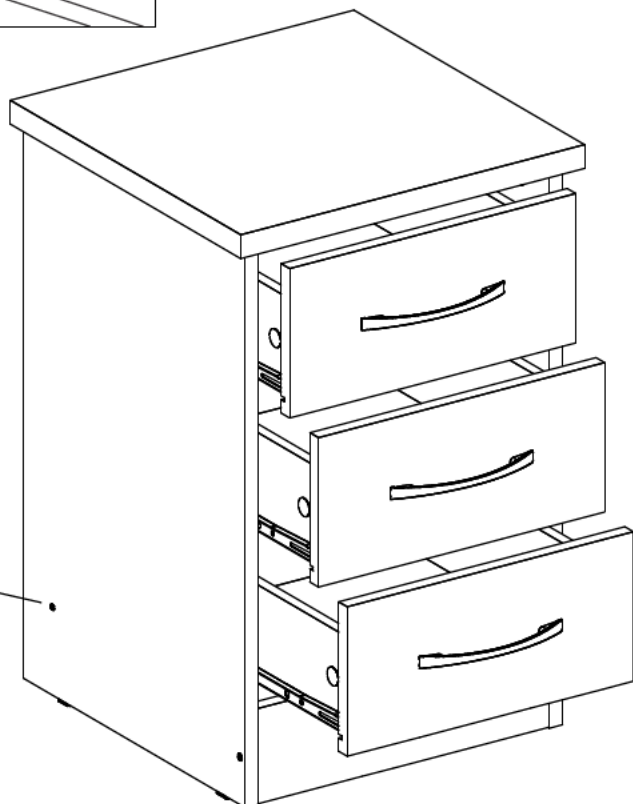
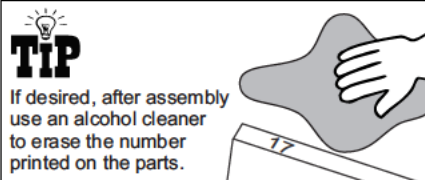
PARTS REQUIRED



HARDWARE REQUIRED



TOOLS REQUIRED



Detail 12

WARNING

Serious or fatal injuries can occur from furniture tipping over. To prevent the furniture from tipping over we recommend that it is permanently fixed to the wall.

Wall fixings are not supplied with this product as different wall materials require different types of fixing devices. Please make sure you use fixings suitable for the walls in your home.

