

SOOHOW

Assembly Manual Outdoor Dining Table

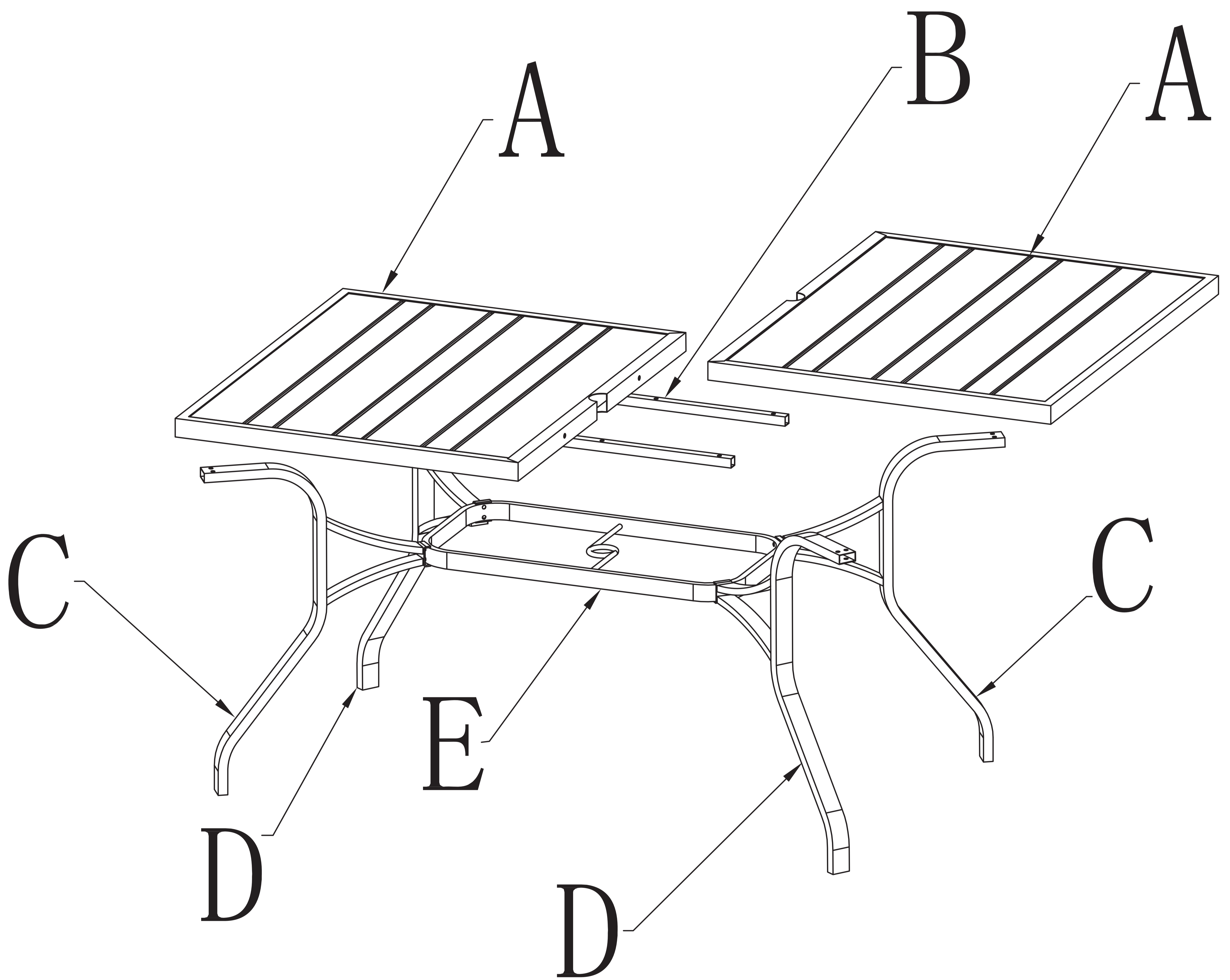
DT015



Please read this manual carefully before any operation and keep it properly for future use.

If any problems on our product, please feel free to contact us at ecservice@isunon.com .

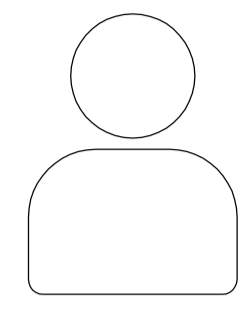
Exploded View



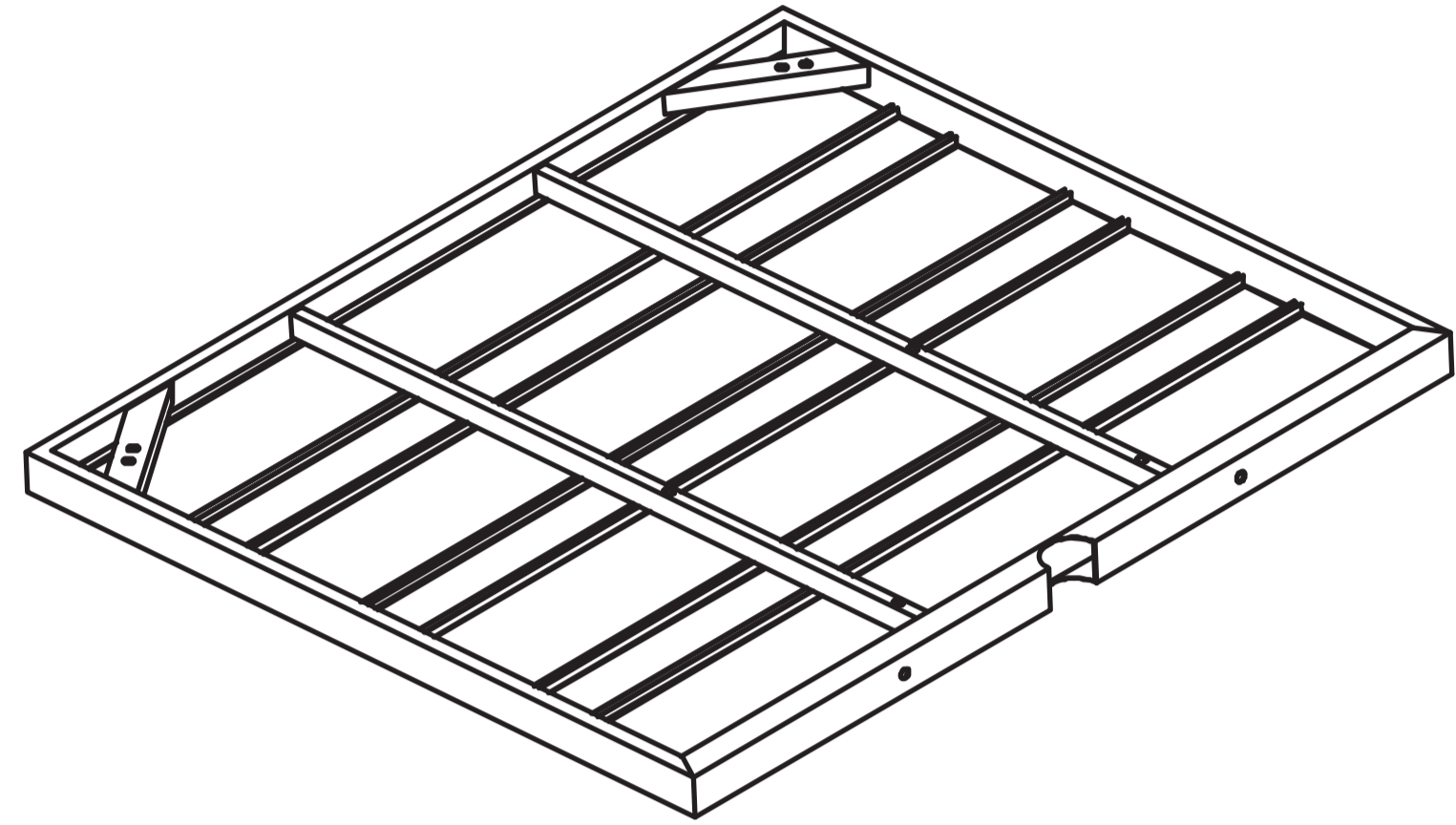
Components List

20_{min}

Assembly Time

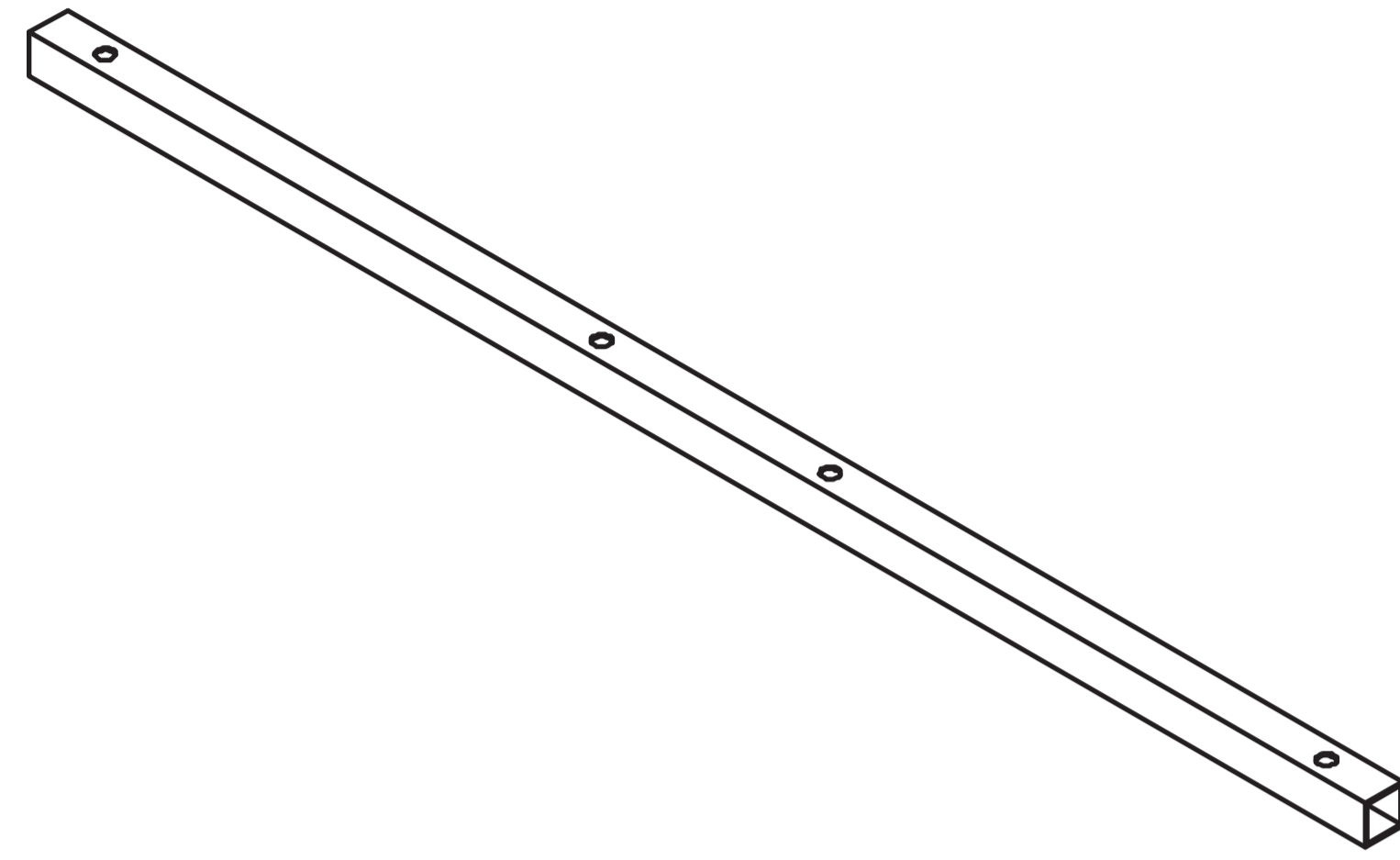


One People



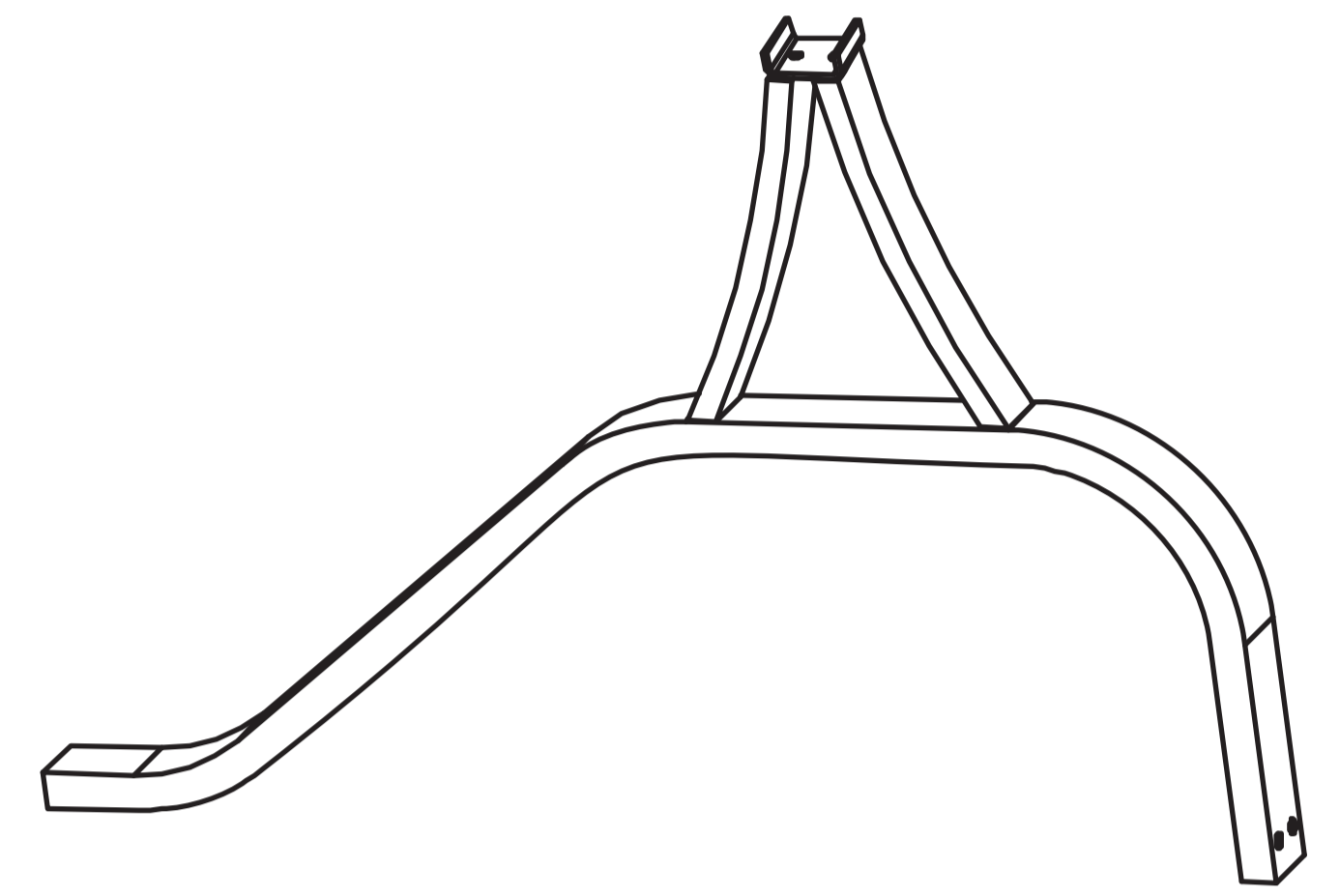
A

Table Top (x2)



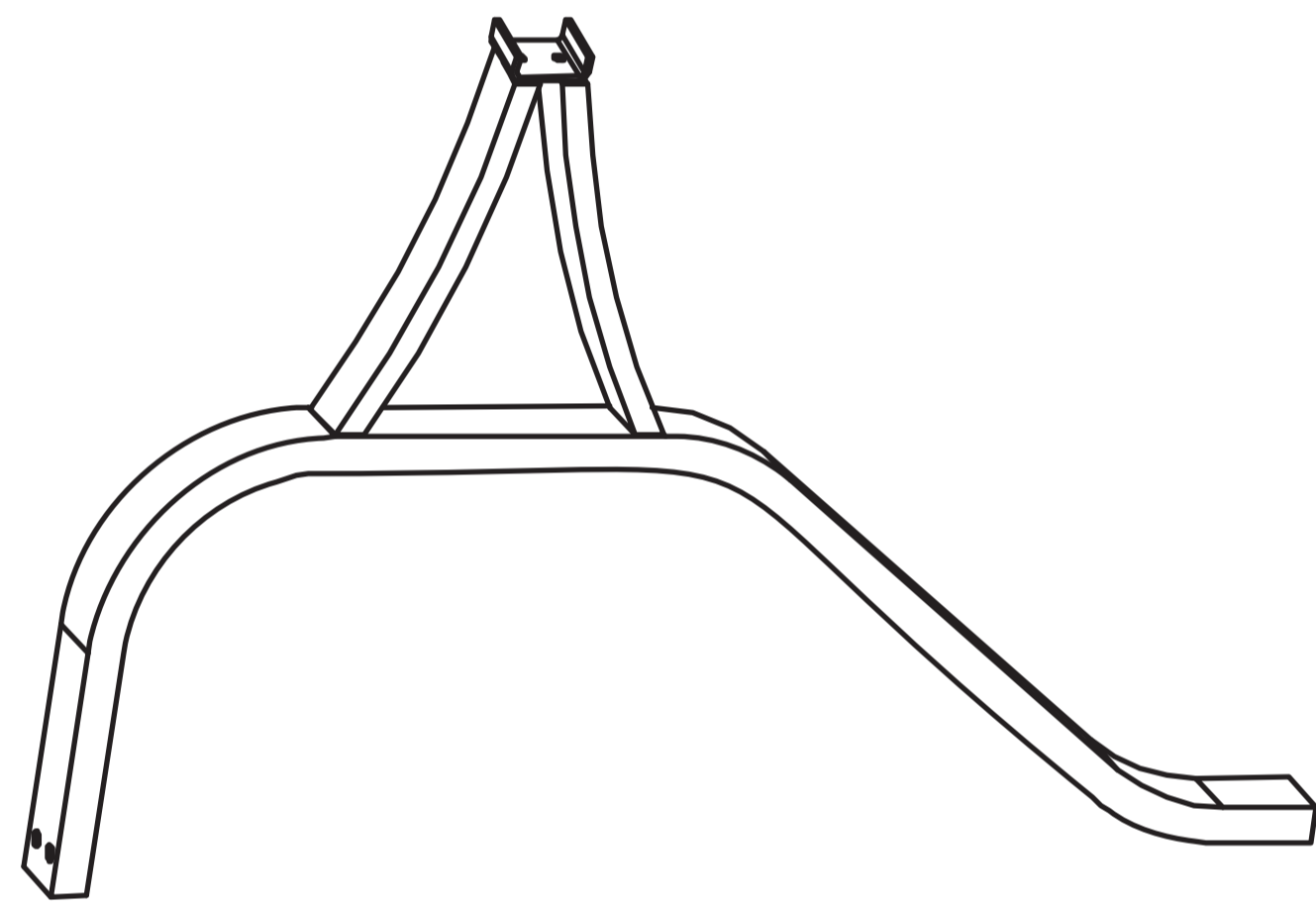
B

Table connector (x2)



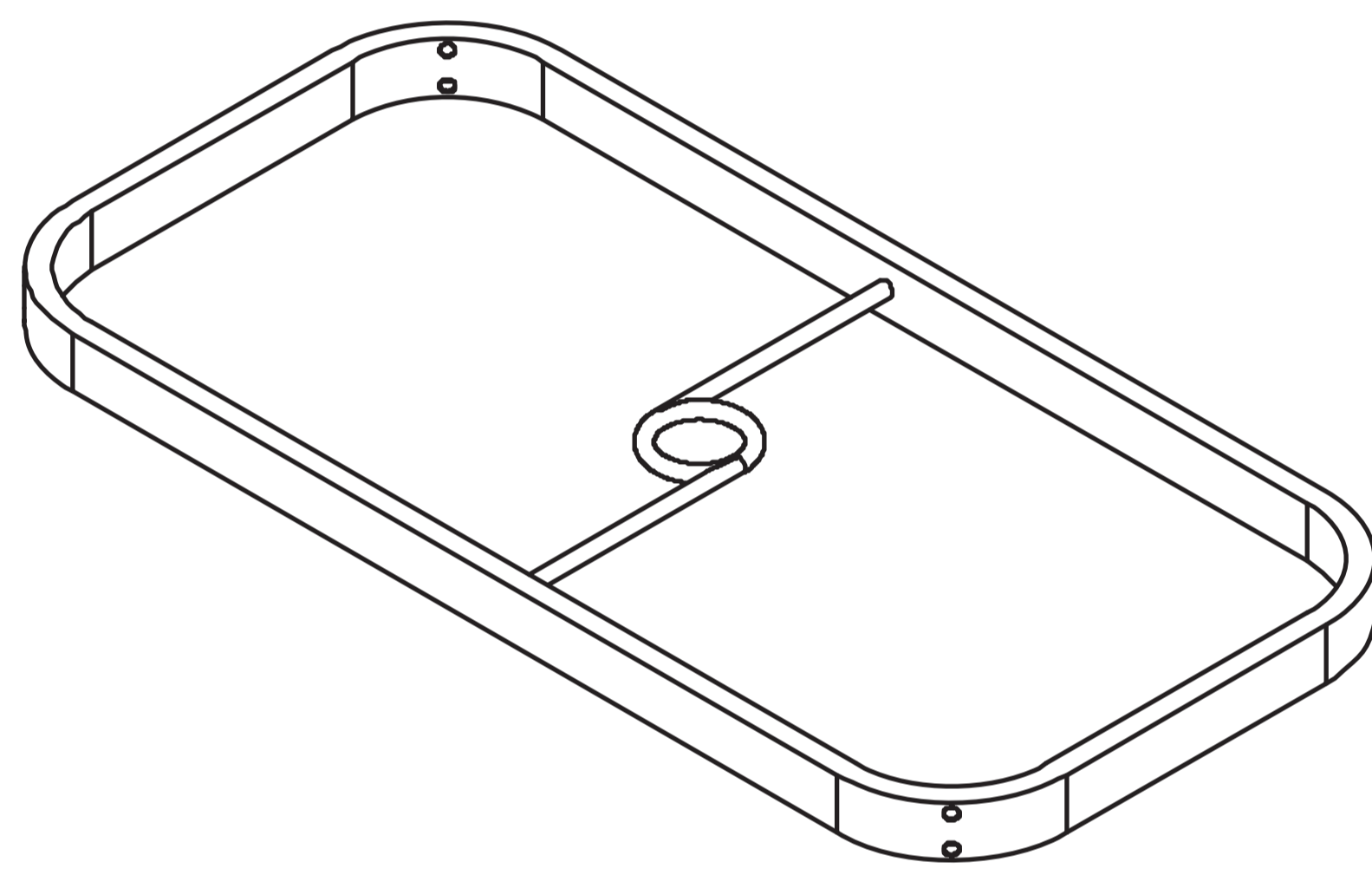
C

Table Leg (x2)



D

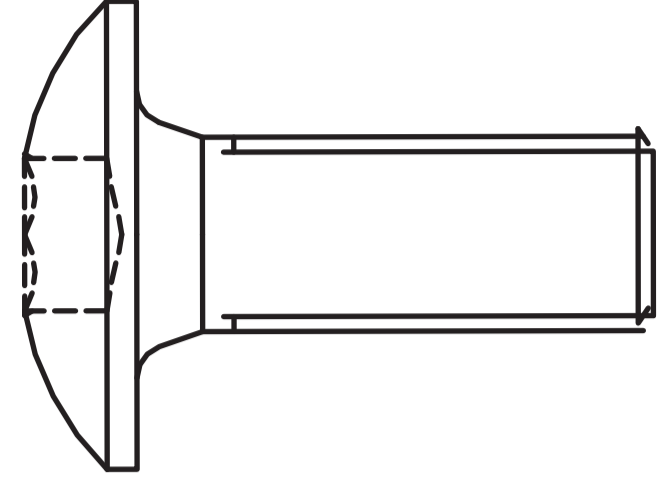
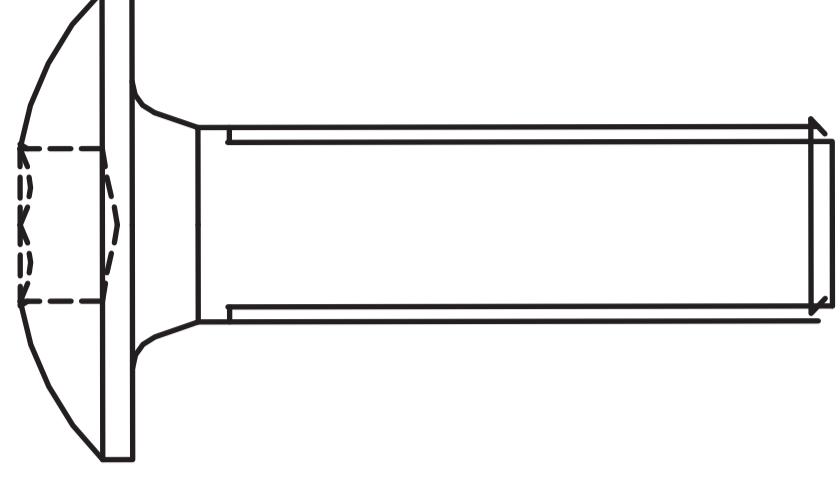
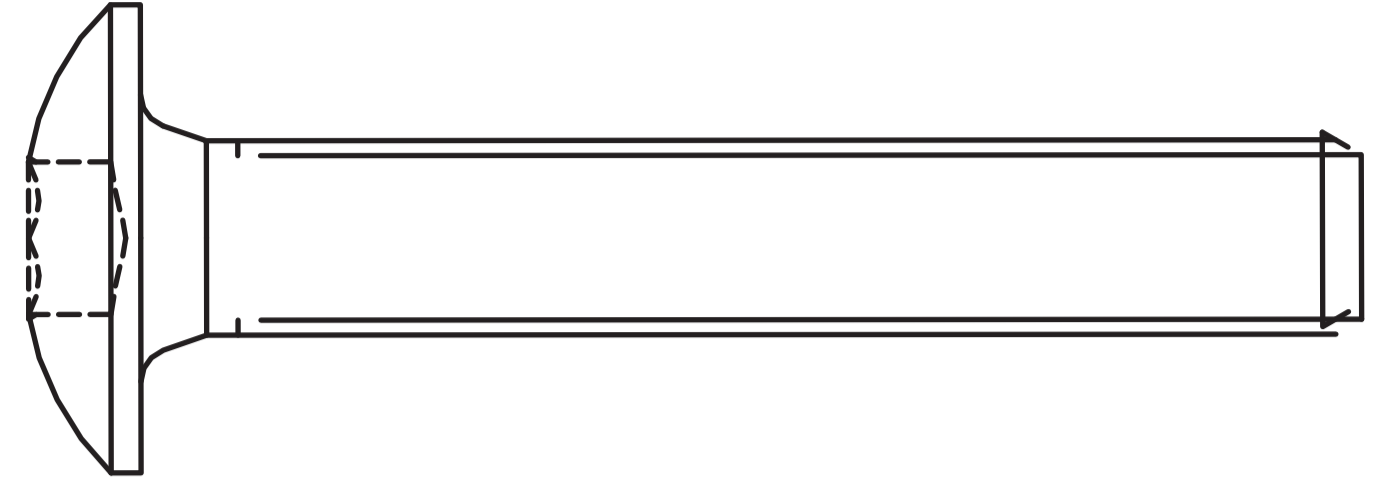
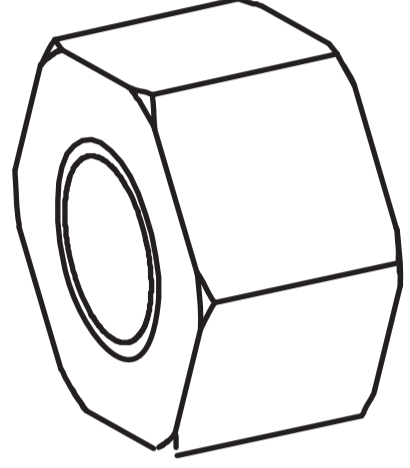
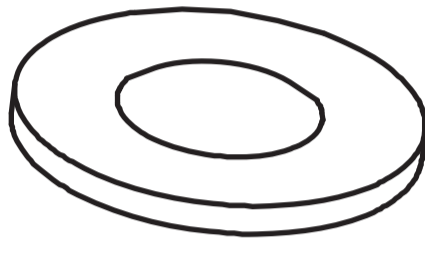

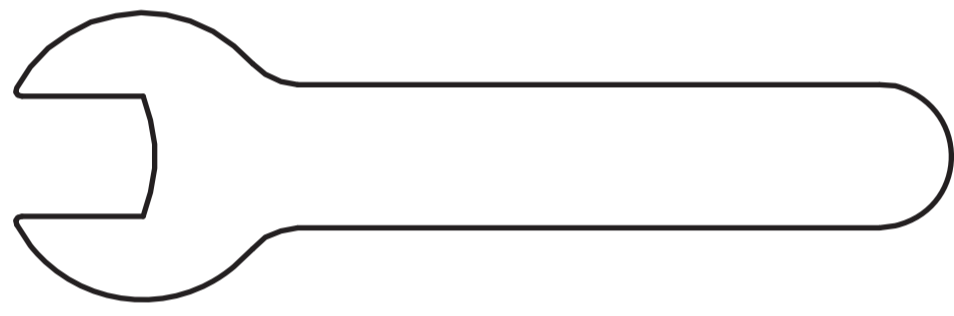
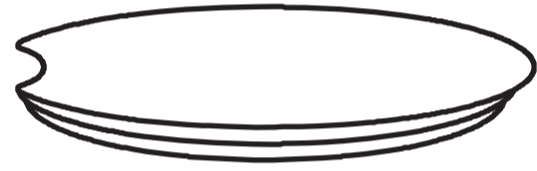
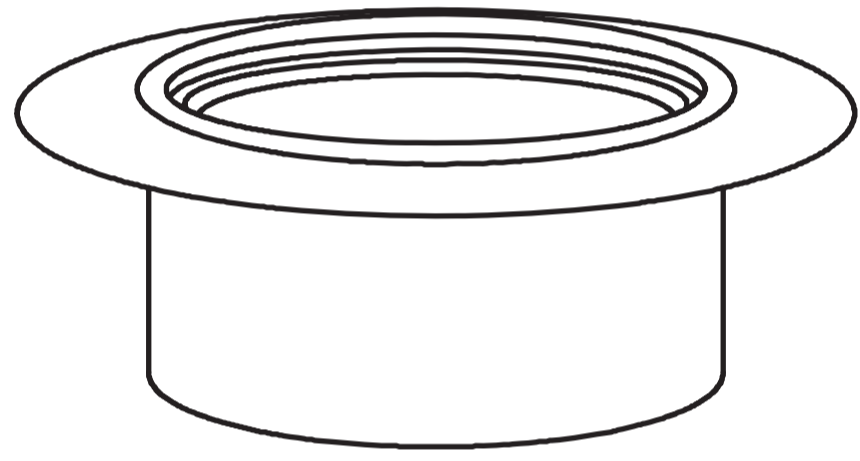
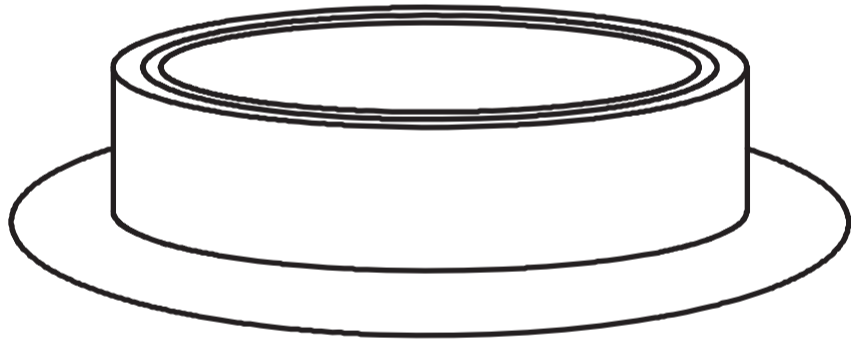
Table Leg (x2)



E

Table Support (x1)

Components list

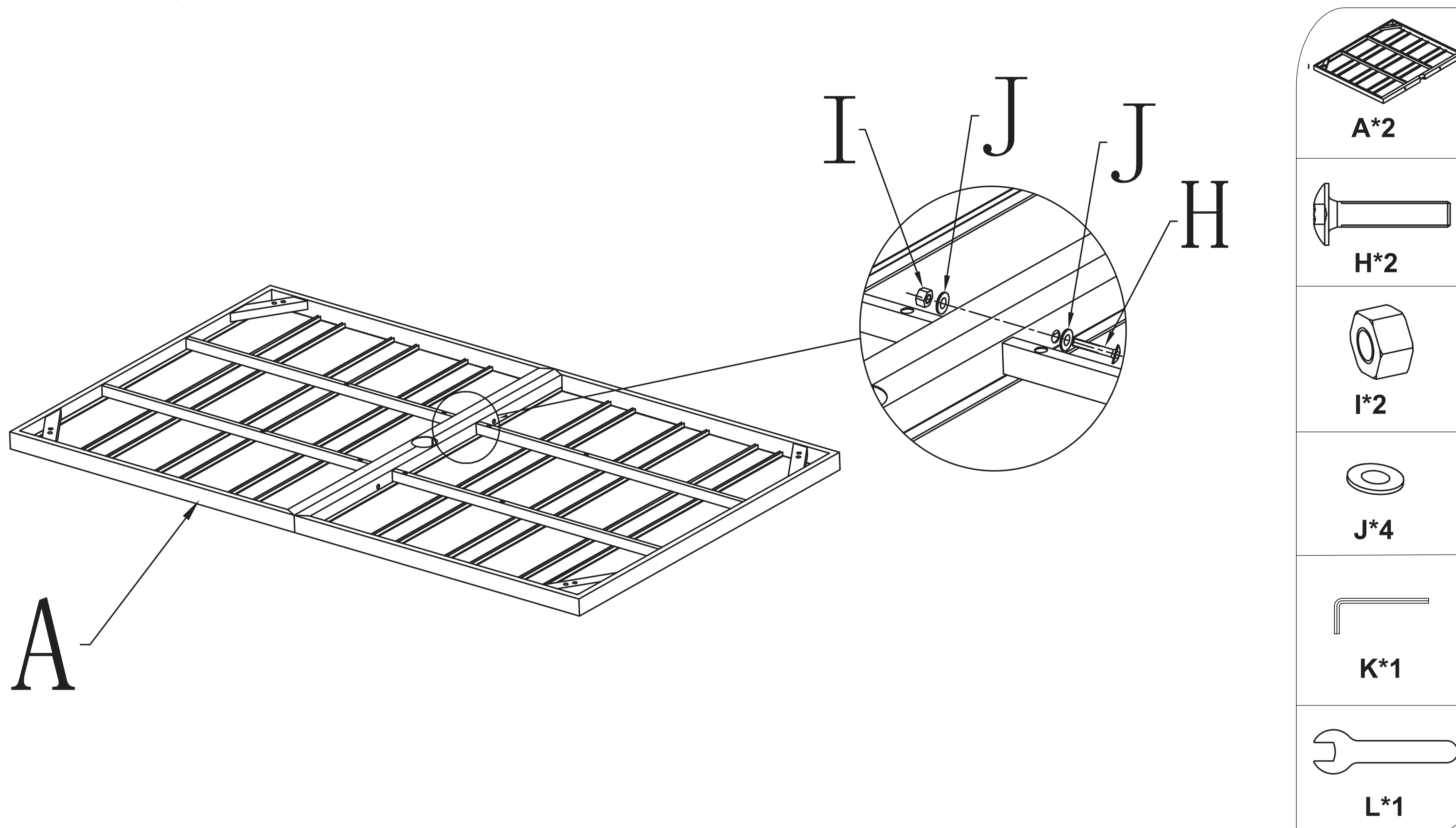
F			G			H		
								
Bolt	M6x20	8+1	Bolt	M6x30	16+1	Bolt	M6x70	2+1
I			J			K		
								
Nut	M6	2+1	Washer	M6	28+1	Allen wrench		1
L			M			N		
								
wrench	M6	1	Umbrella Hole Cover		1	Umbrella Hole Top		1
O								
								
Umbrella Hole Base		1						

Note: The number after “+” sign indicates the extra piece(s).

Assembly Instruction

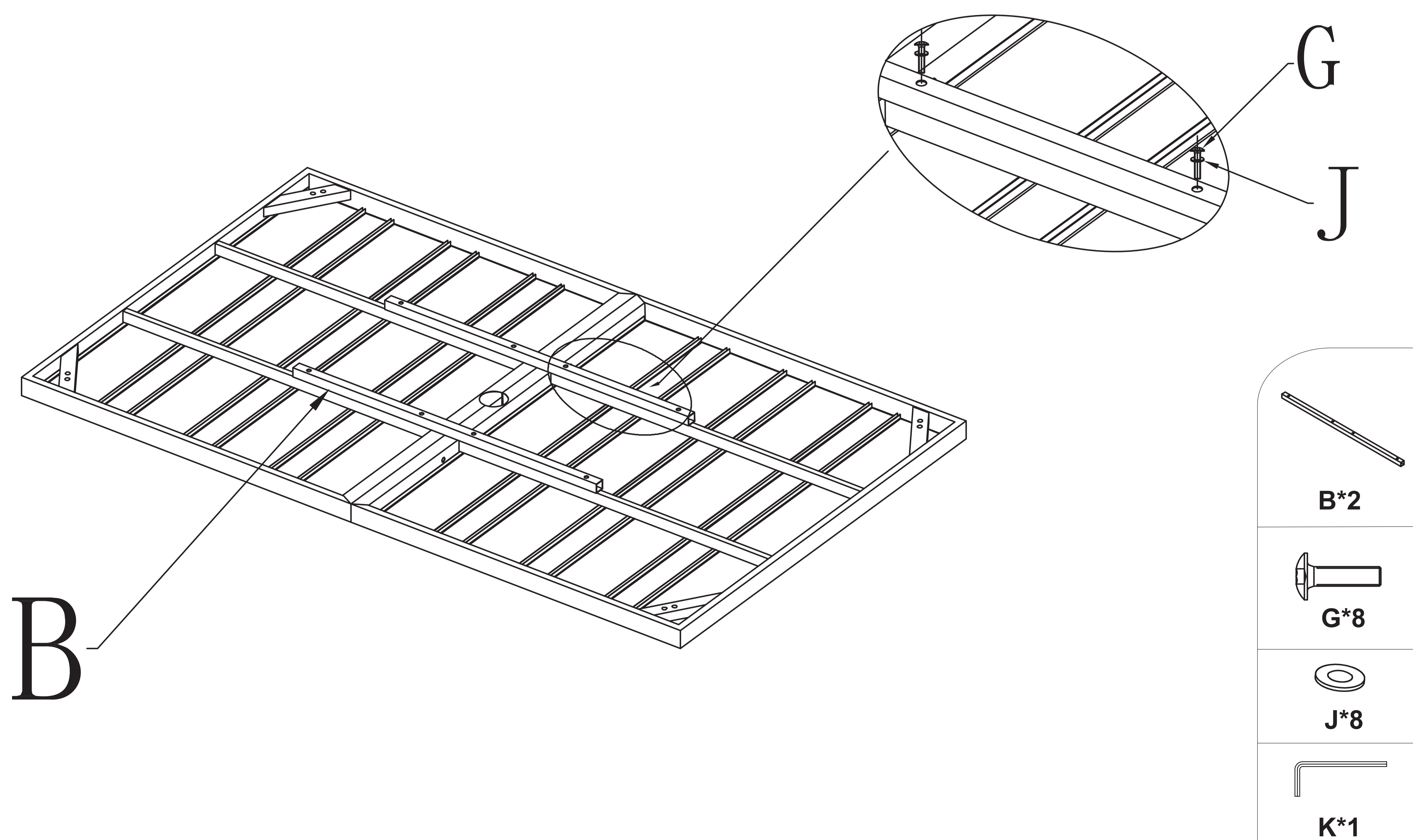
STEP 1

Attach two part A table tops head to head with two part H bolts and four part J washers and two part I nuts. Tighten all the screws 50% so that you can adjust slightly during the process of assembly.



STEP 2

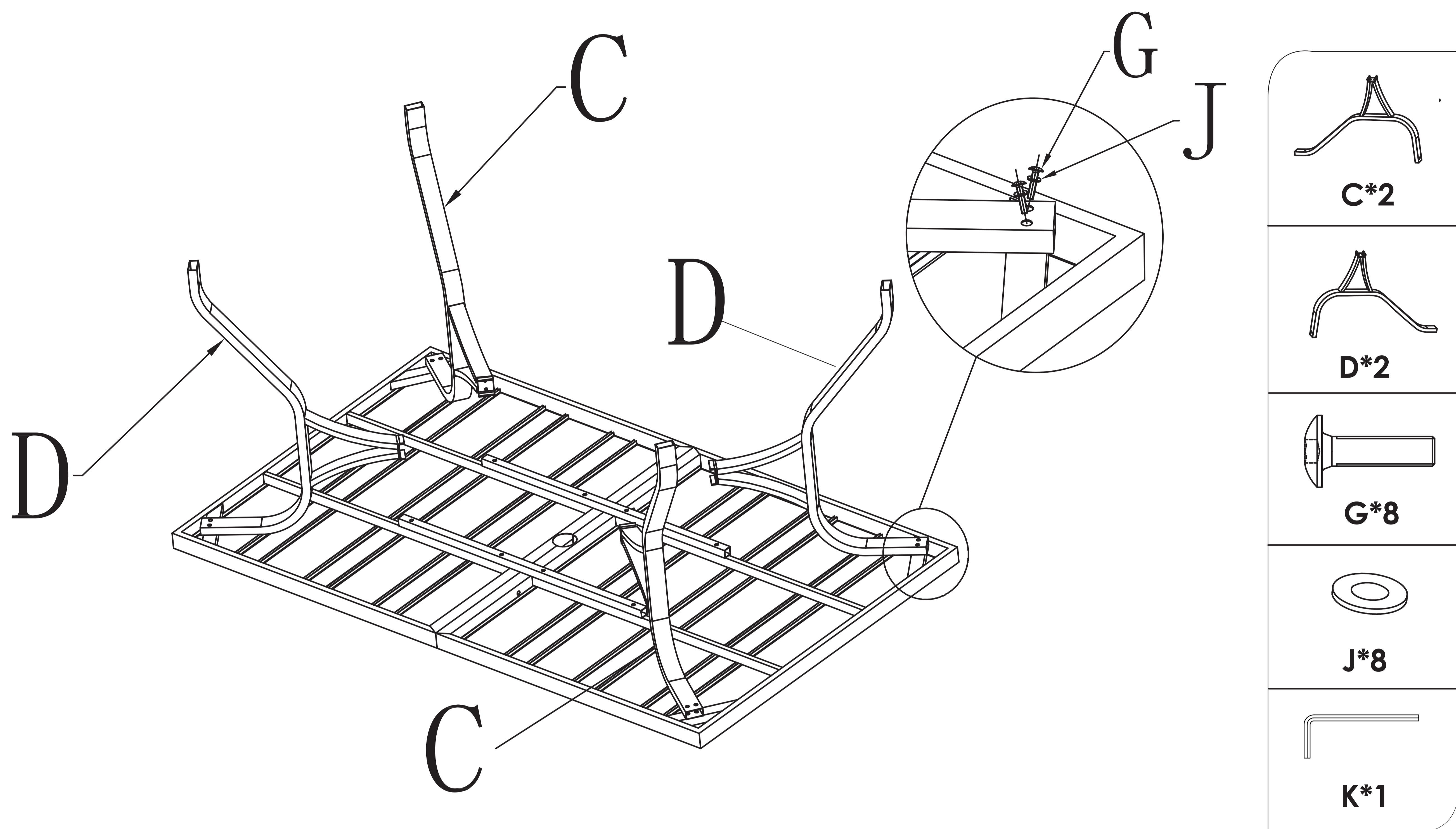
Attach two part B table connector to the part A table tops with eight part G bolts and eight part J washers. Tighten all the screws 50% so that you can adjust slightly during the process of assembly.



Assembly Instruction

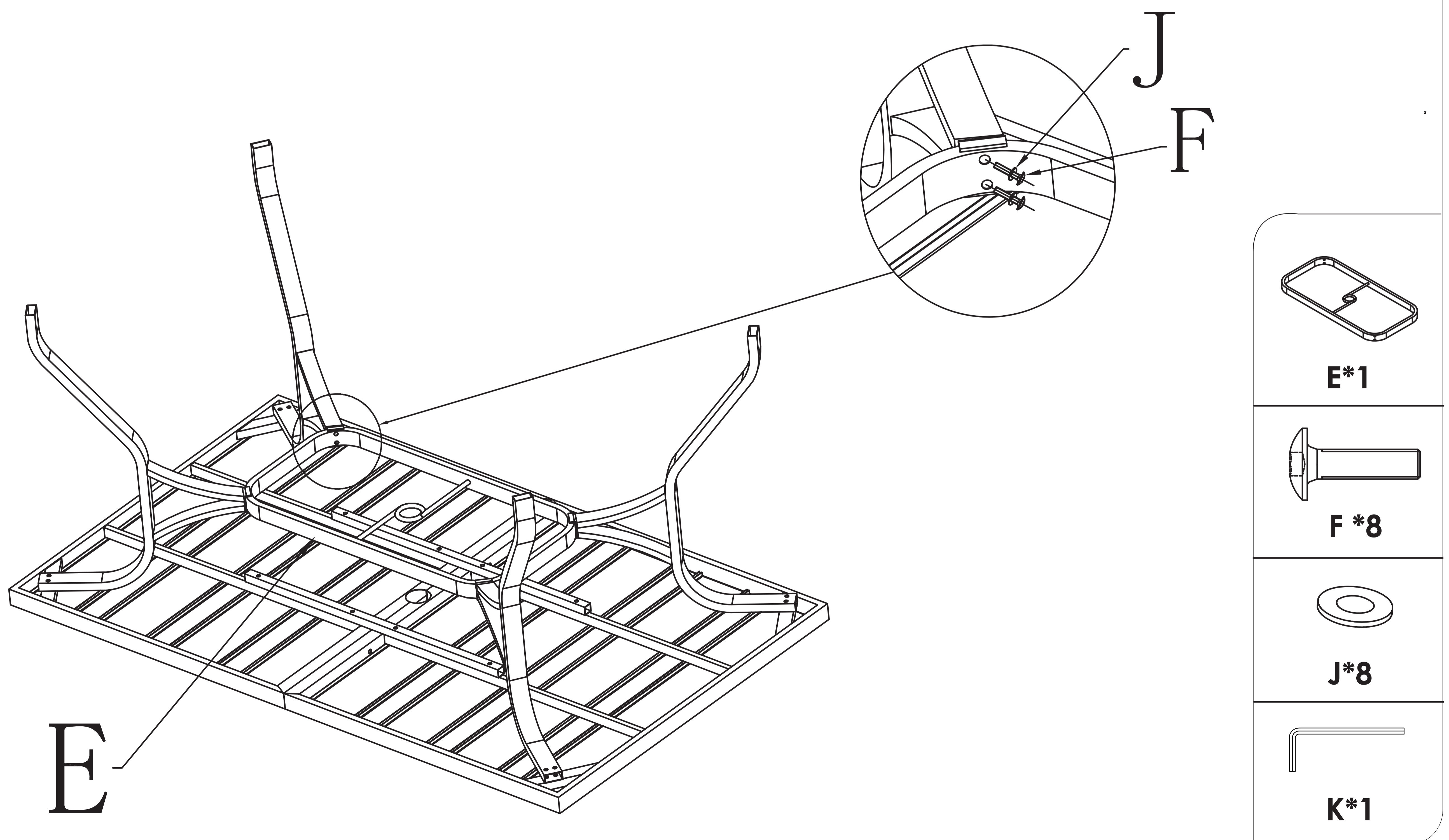
STEP 3

Attach two part C table legs and two part D table legs to the part A table top like picture with eight part G bolts and eight part J washers. Tighten all the screws 50% so that you can adjust slightly during the process of assembly.



STEP 4

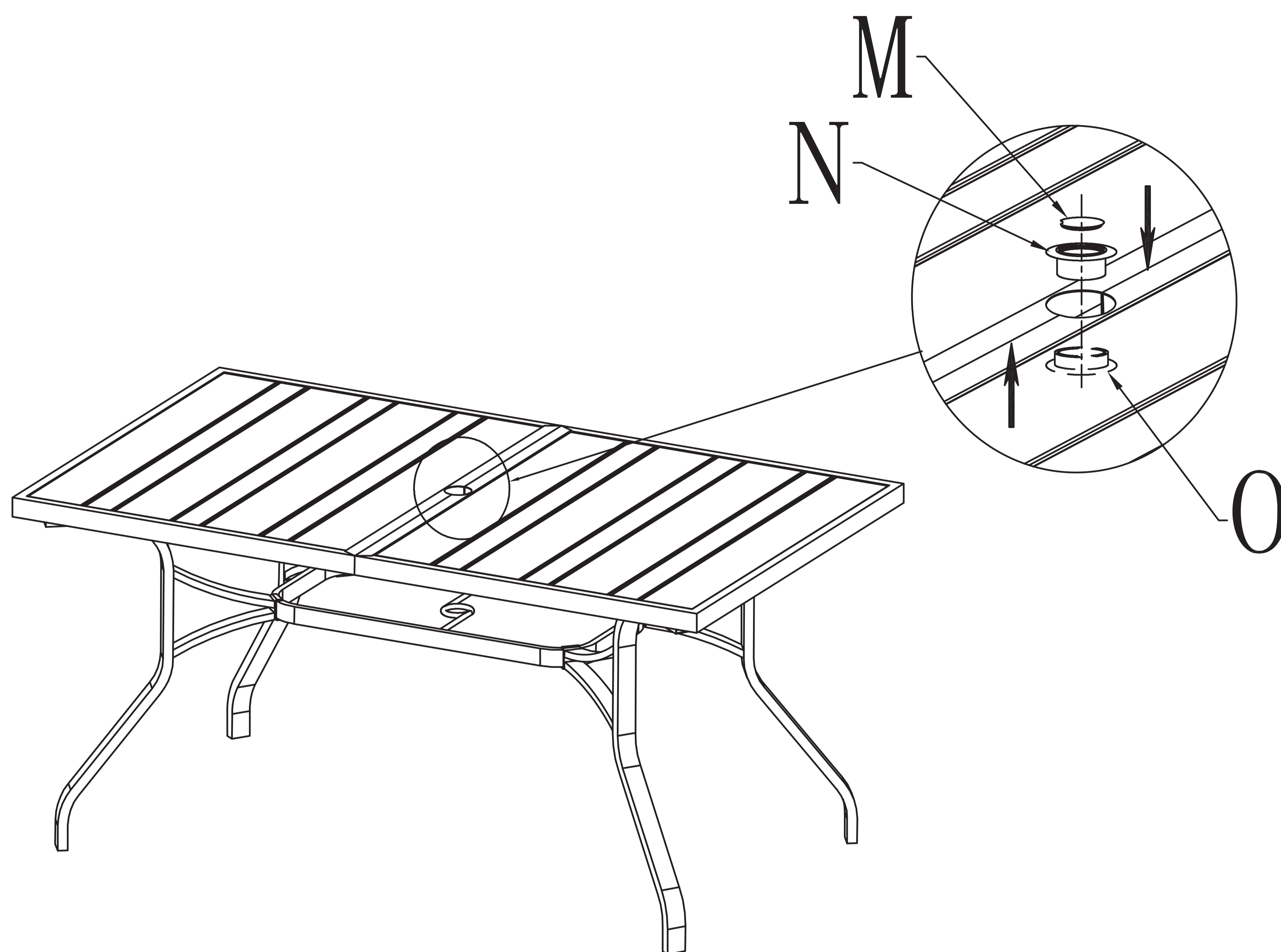
Attach the part E table support to the part C & D table legs with eight part F bolts and eight part J washers. Tighten all the screws 50% so that you can adjust slightly during the process of assembly.



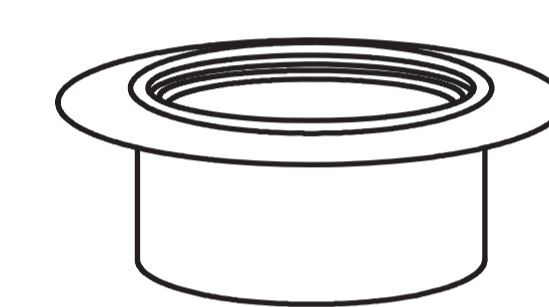
Assembly Instruction

STEP 5

Attach the part N umbrella hole top and part O umbrella hole base to the umbrella hole and then put on the part M umbrella hole cover. Tighten all the bolts fully.



M*1



N*1



O*1

