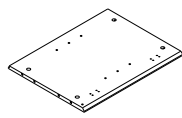
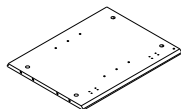


ASSEMBLY INSTRUCTIONS

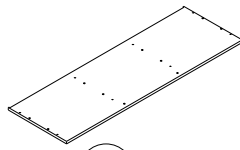
5



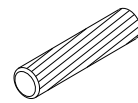
(E) 1pc



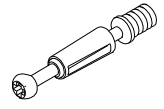
(D) 1pc



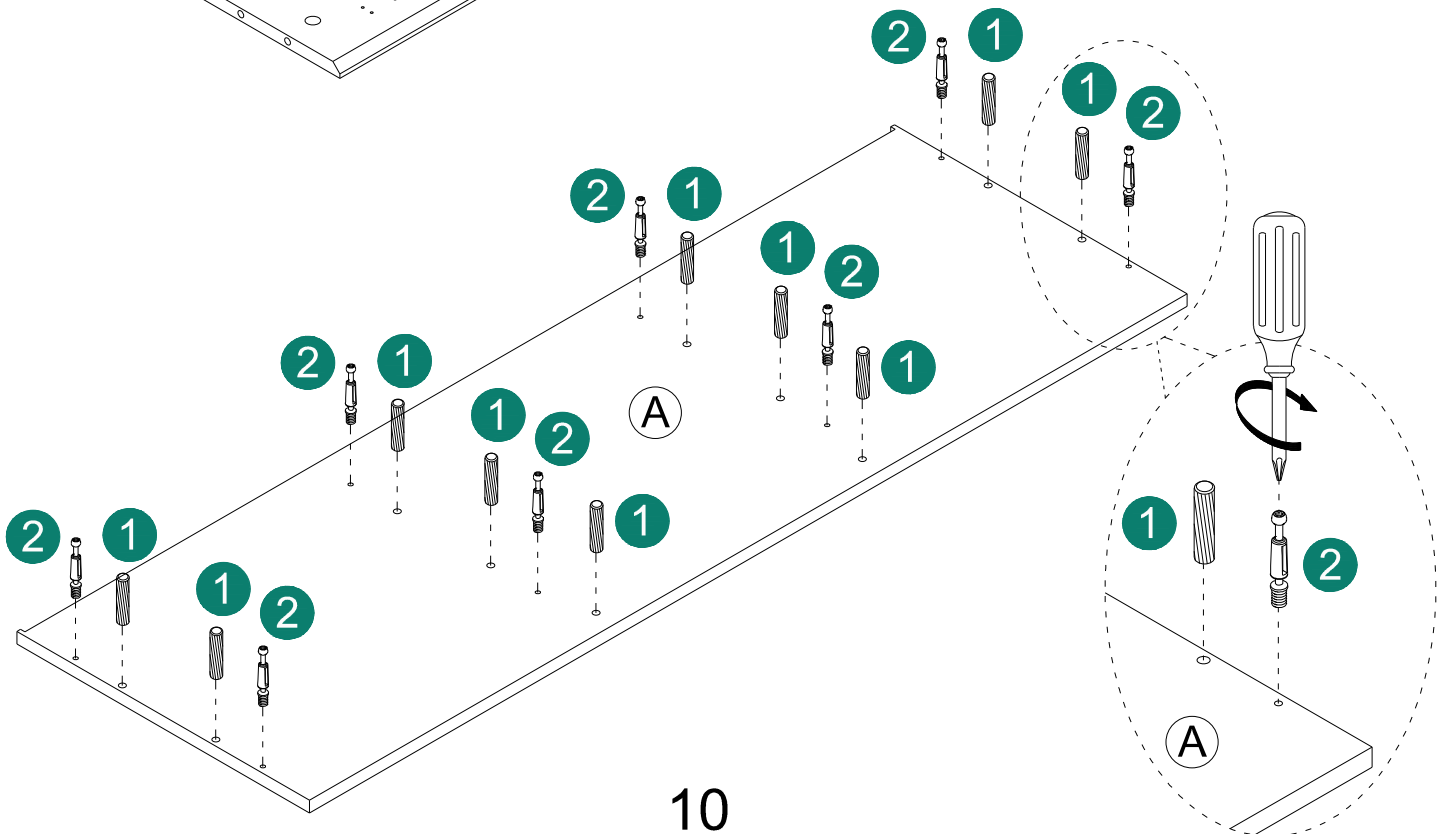
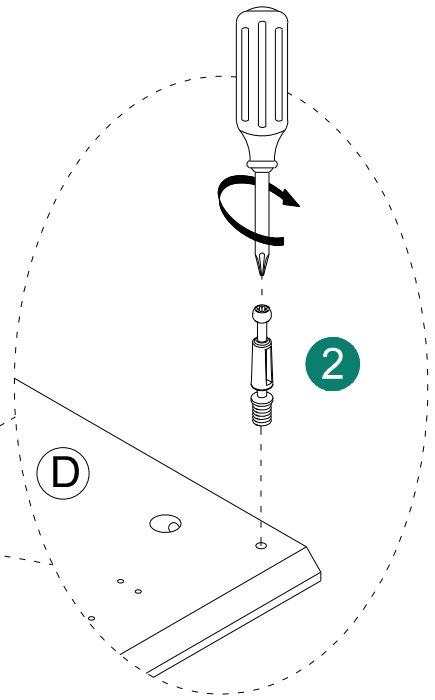
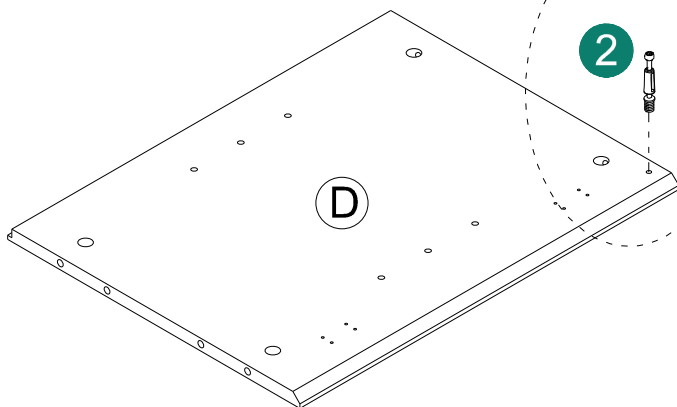
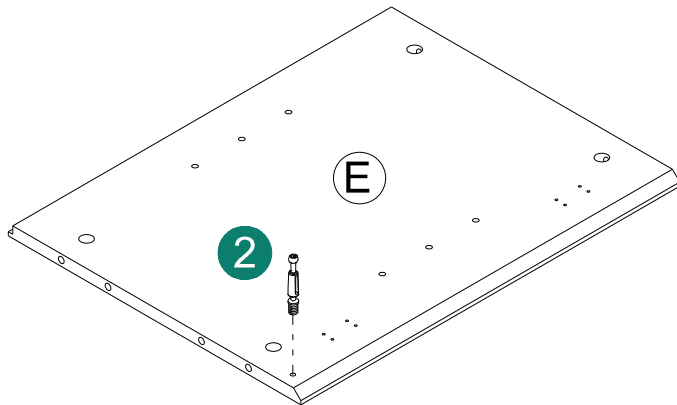
(A) 1pc



(1) 8pcs

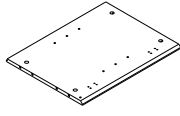


(2) 8pcs

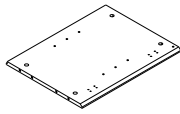


ASSEMBLY INSTRUCTIONS

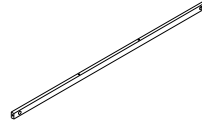
6



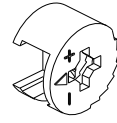
(E) 1pc



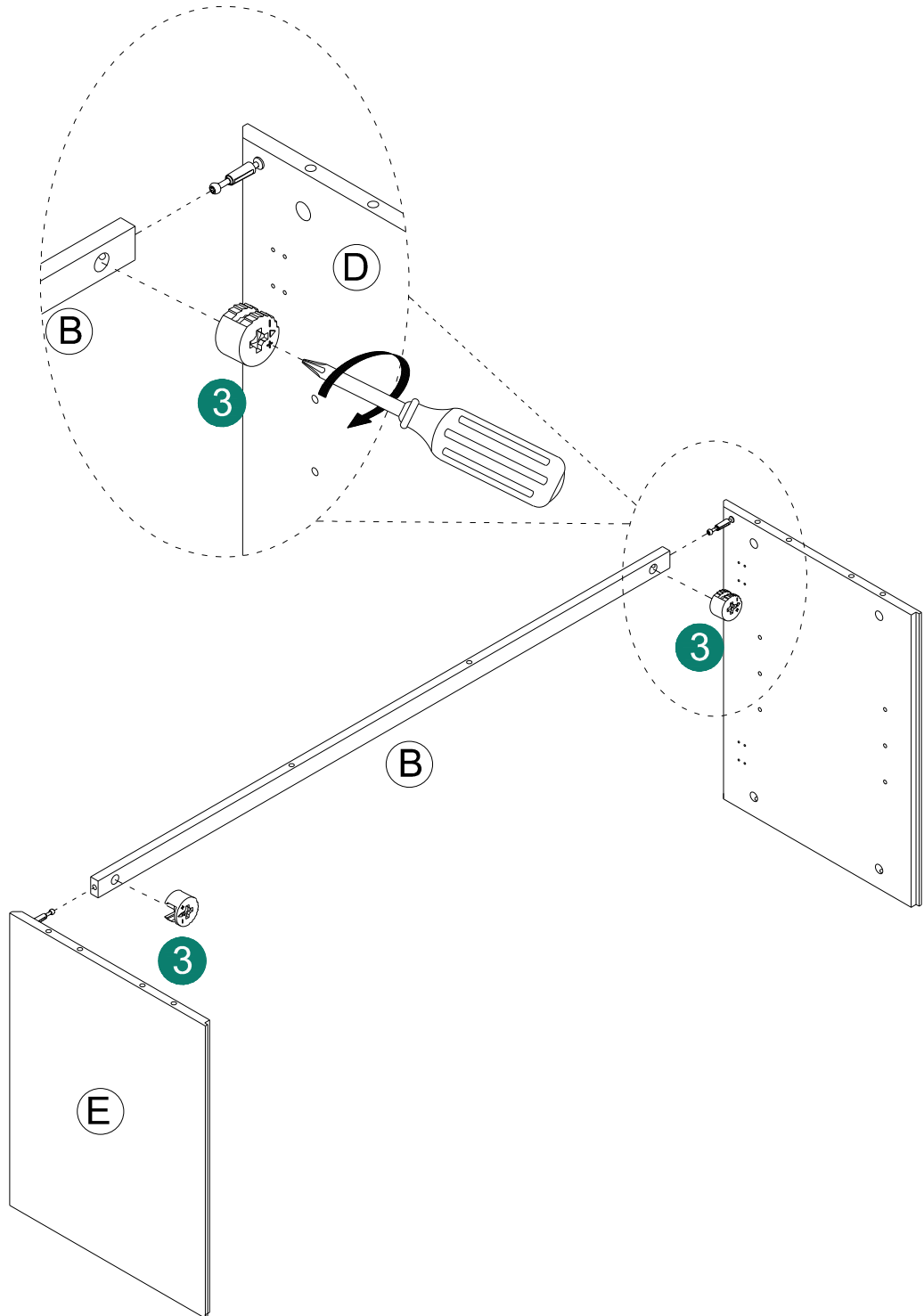
(D) 1pc



(B) 1pc

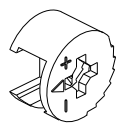


(3) 2pcs

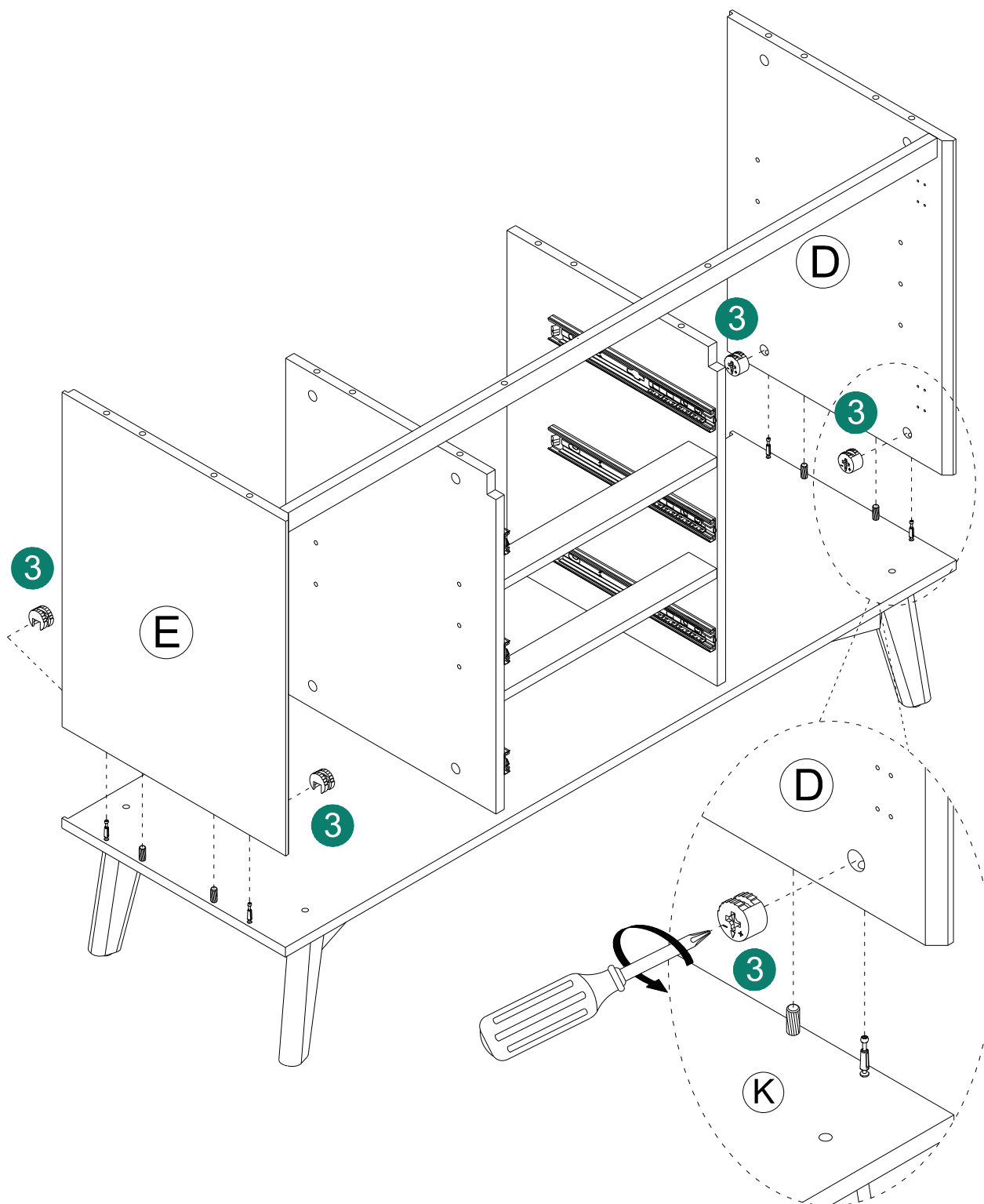


ASSEMBLY INSTRUCTIONS

7

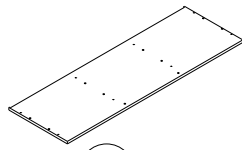


3 4pcs

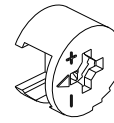


ASSEMBLY INSTRUCTIONS

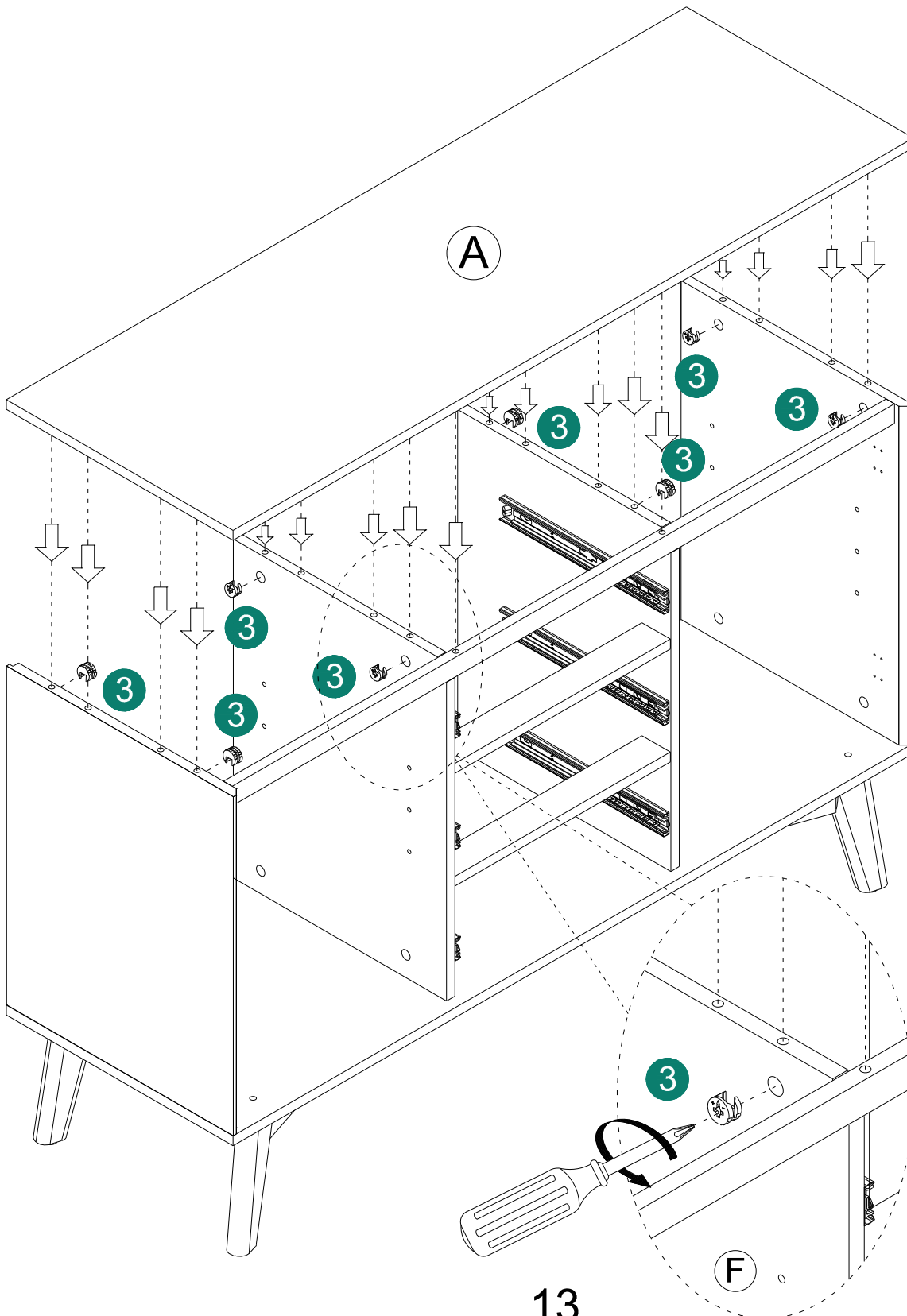
8



A 1pc

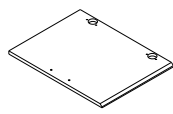


3 8pcs

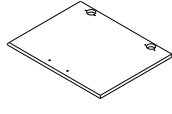


ASSEMBLY INSTRUCTIONS

9



① 1pc



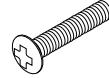
② 1pc



⑦ 8pcs



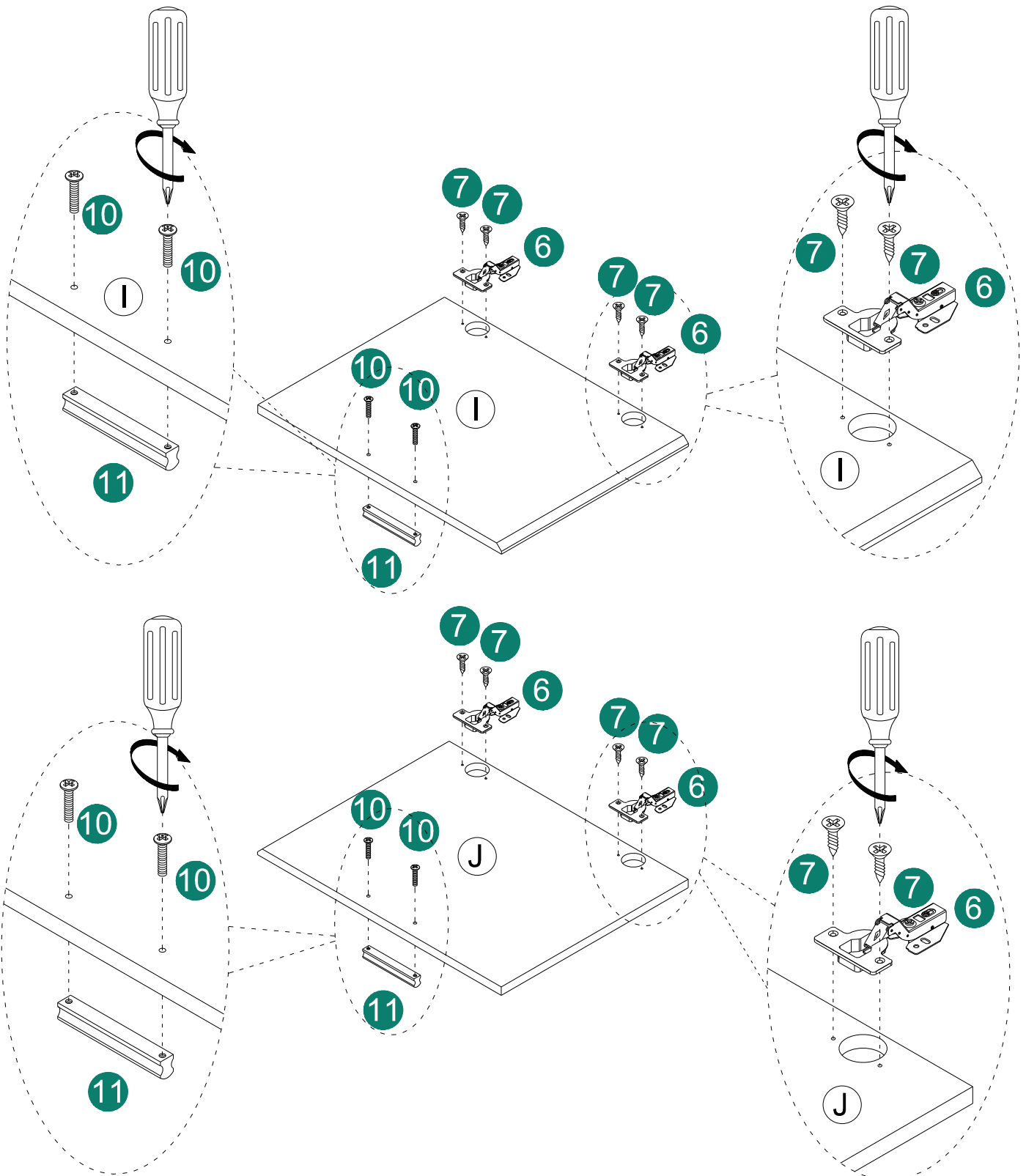
⑥ 4pcs



⑩ 4pcs

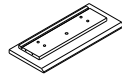


⑪ 2pcs

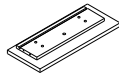


ASSEMBLY INSTRUCTIONS

10



(N) 1pc



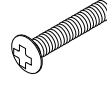
(O) 1pc



(Q) 3pc



(R) 3pc



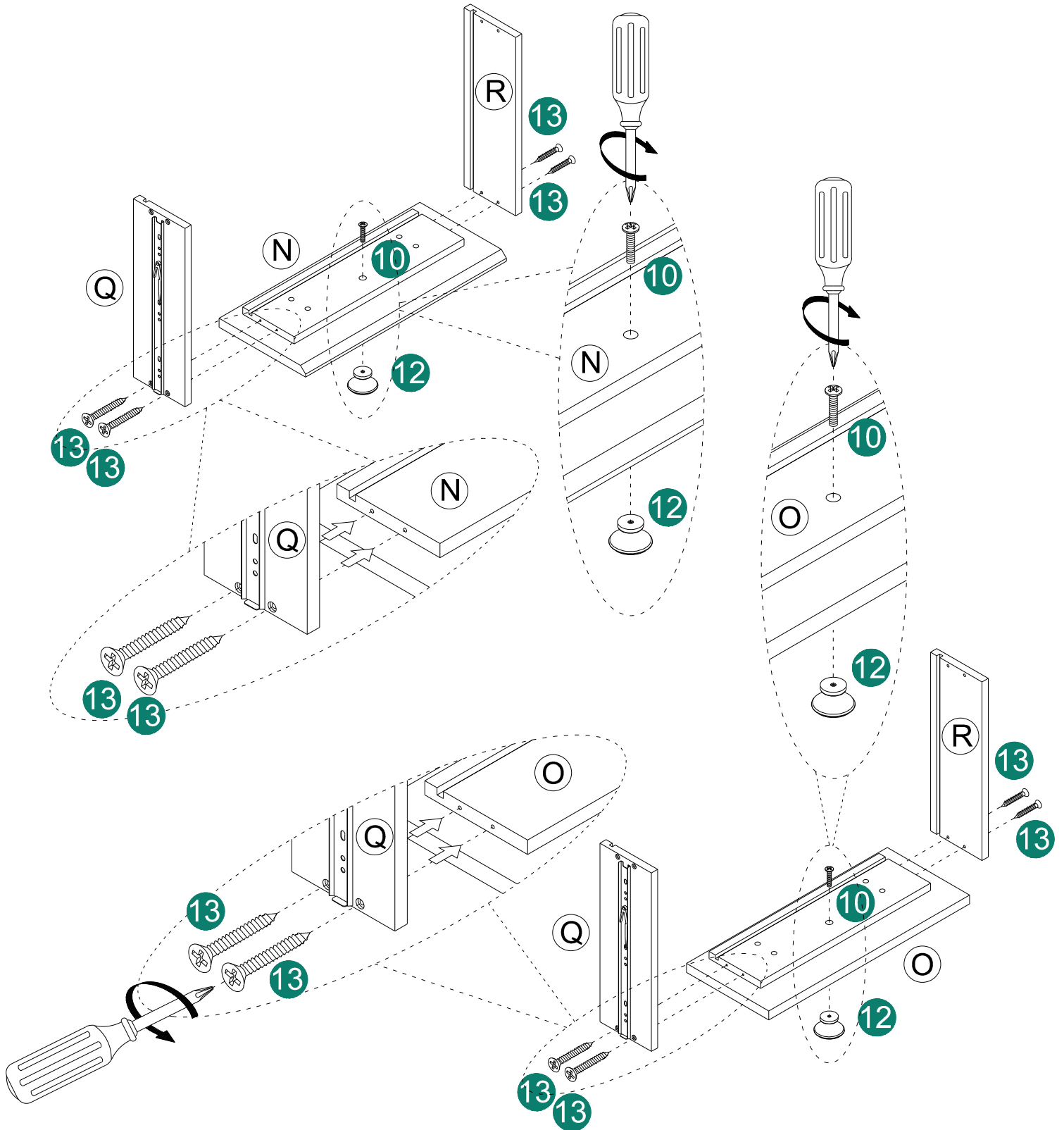
(10) 3pcs



(13) 12pcs

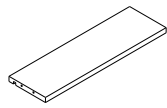


(12) 3pcs

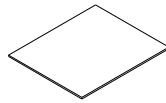


ASSEMBLY INSTRUCTIONS

11



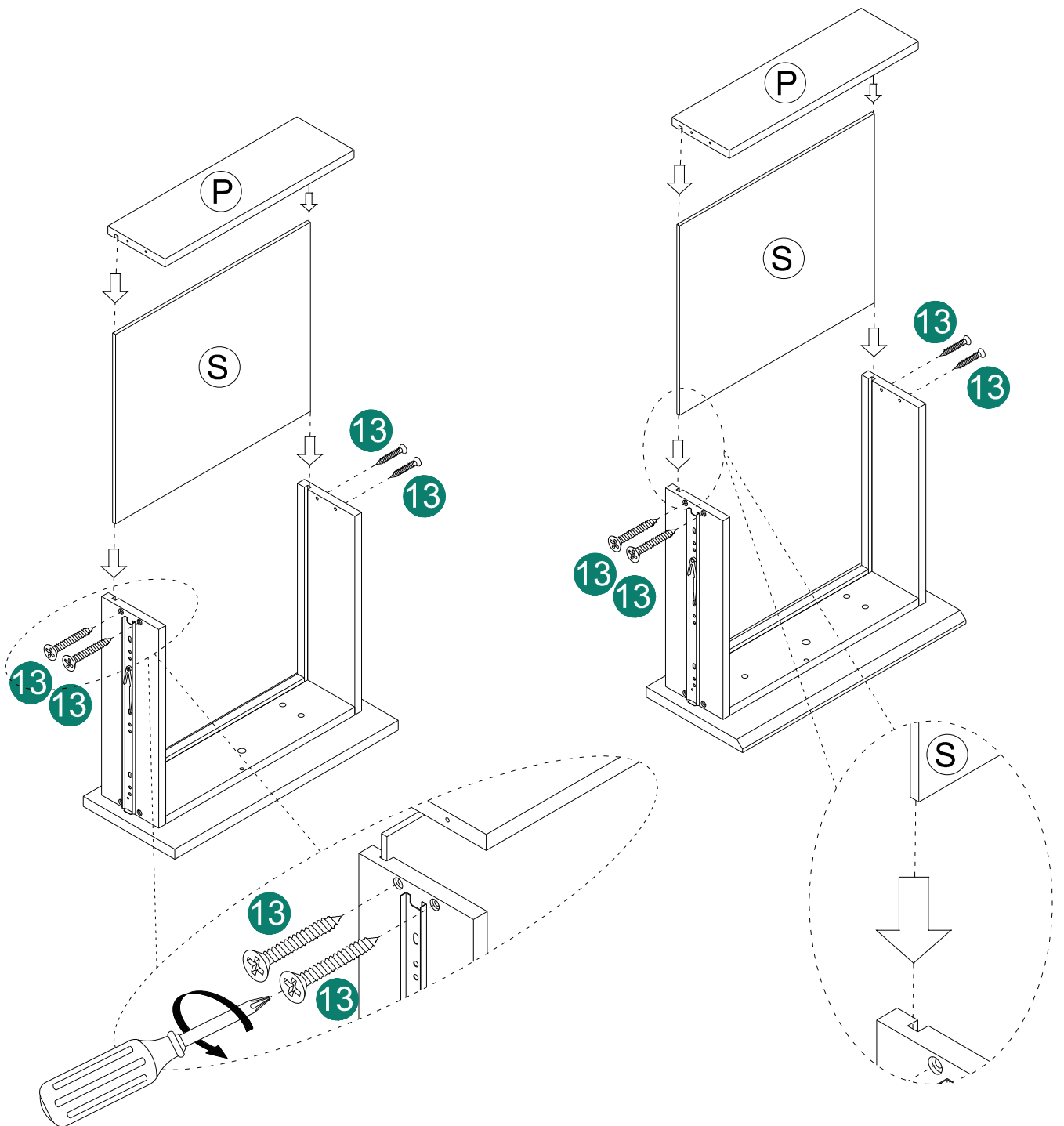
(P) 3pc



(S) 3pc



(13) 12pcs

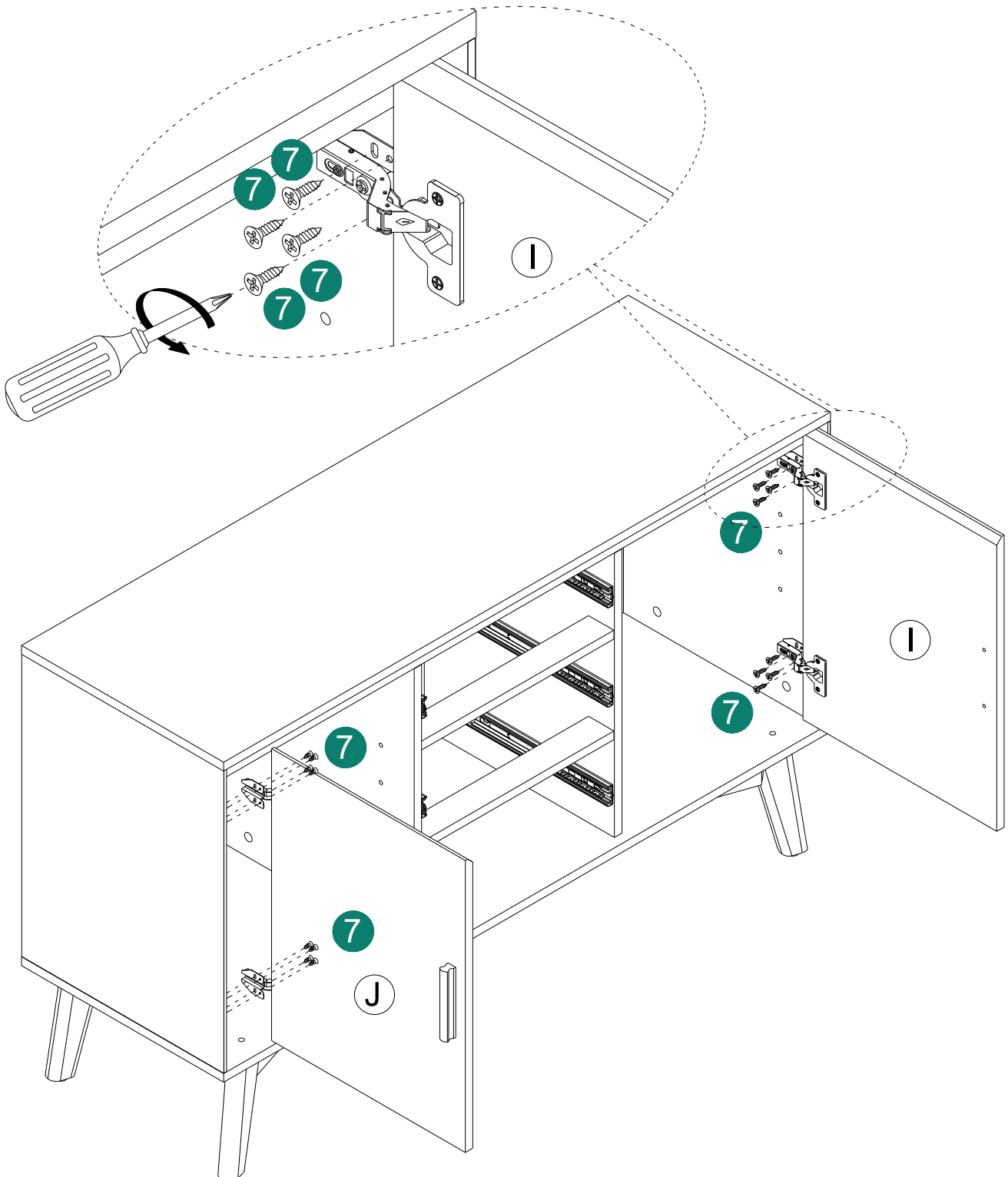


ASSEMBLY INSTRUCTIONS

12

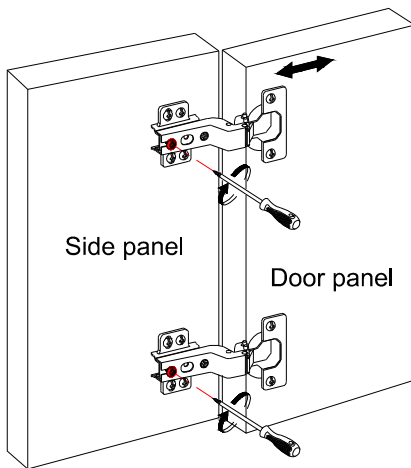


⑦ 16pcs



ASSEMBLY INSTRUCTIONS

13

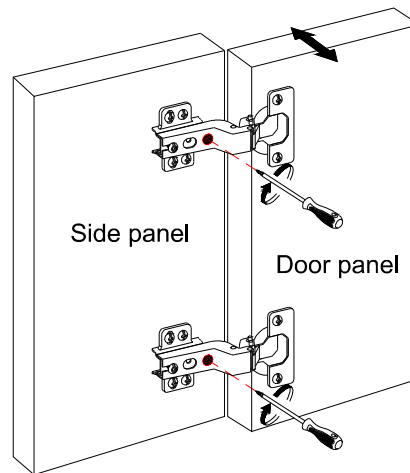


①

Front-to-Back Direction Adjustment:

Rotate the screws on the door hinges shown in the image. The door panel can be moved front-back.

Adjustment range: 4mm

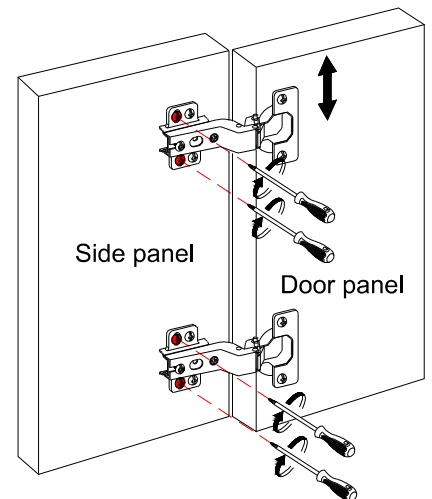


②

Left-Right Direction Adjustment:

Rotate the screws on the door hinges shown in the image. The door panel can be moved left-right.

Adjustment range: 3mm



③

Up-Down Direction Adjustment:

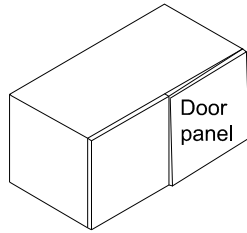
Rotate the screws on the door hinges shown in the image. The door panel can be moved up-down.

Adjustment range: 4mm

ASSEMBLY INSTRUCTIONS

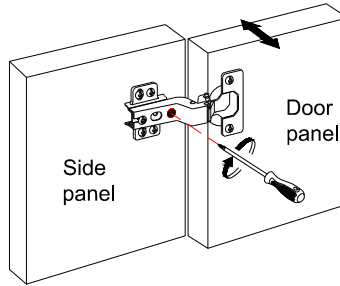
14

Common Door Panel Issues:

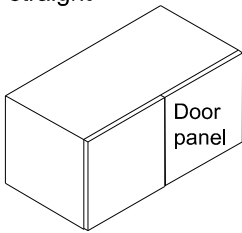
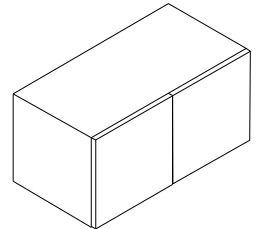
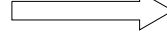


Door panel is not straight

Adjust the door hinges

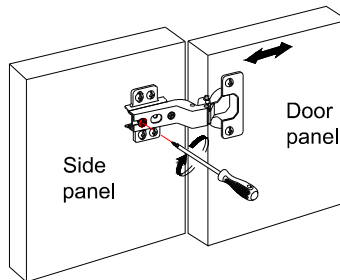
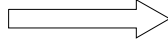


Finished

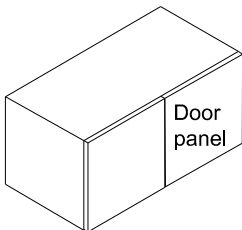
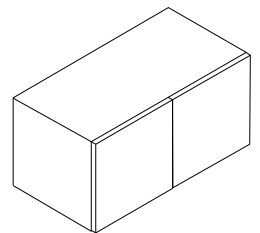


The gap between door panels is too large

Adjust the door hinges

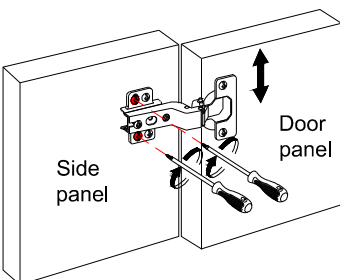
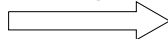


Finished

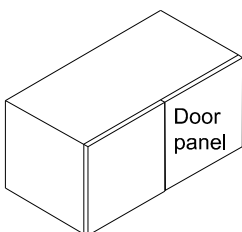
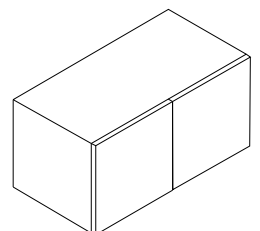
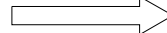


The door panels are not coplanar

Adjust the door hinges

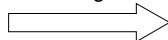


Finished



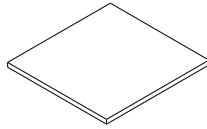
The two door panels are not at the same height

Adjust the door hinges



ASSEMBLY INSTRUCTIONS

15



C 2pc



9 8pcs

