



## 6' Picnic Table

# Assembly Instruction Manual

Please read instructions thoroughly before beginning assembly.

Check boxes carefully for contents listed. Some parts are packaged inside of others.

Assemble on a clean, flat, non-abrasive surface to prevent scratching.

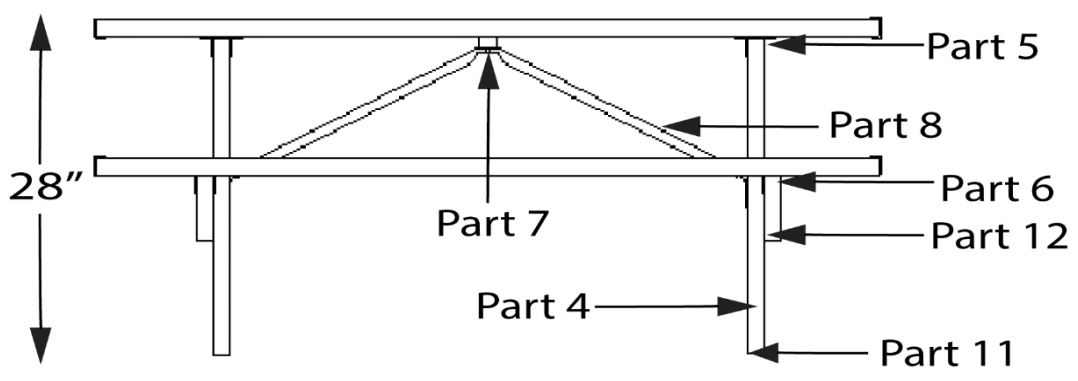
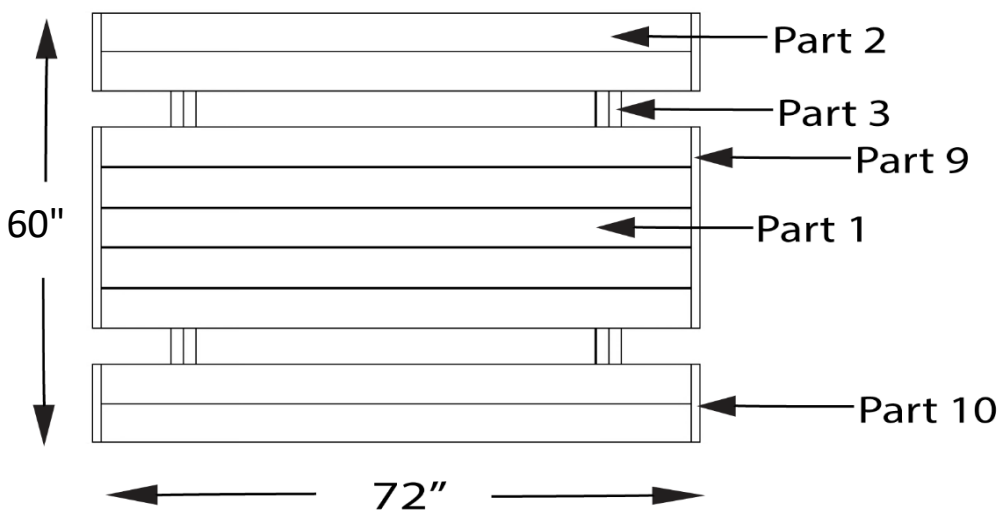
In the event of missing or damaged parts please call or email our customer service department

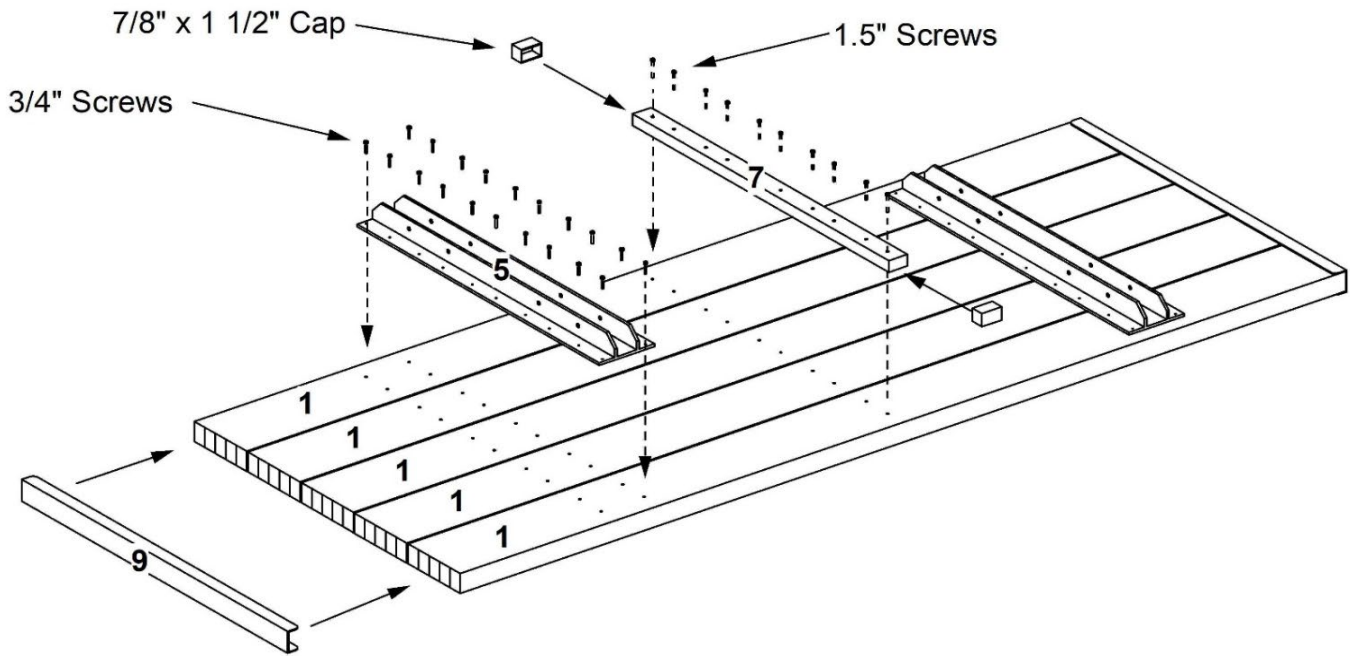
### Tools Required

- Battery or Electric Drill (#2 phillips bit, 1/4" & 1/8" drill bits)
- Tape Measure
- (2) 7/16" Wrenches or Sockets
- File
- All Purpose Grease (Optional)\*

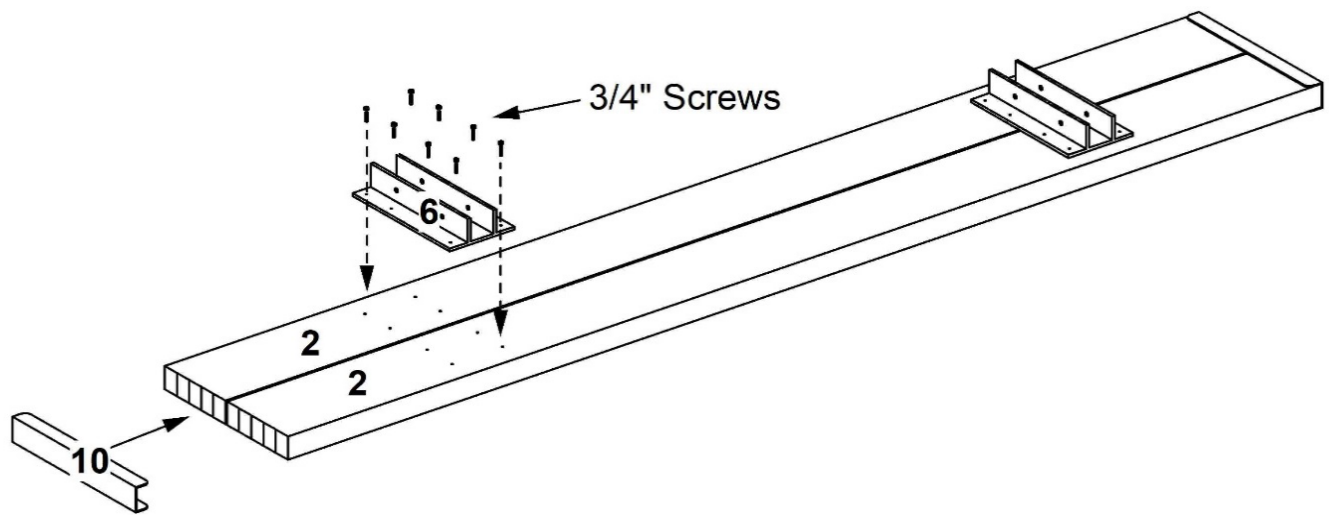
\*In steps requiring nuts and bolts for assembly, we recommend placing a small amount of grease on the end threads of the bolt. All hardware is stainless steel and this practice will prevent galling or adhering together which may cause the bolt to snap during assembly while using power tools.

Part #	Description	Dimension	Box #	Qty
1	Table Rail	1 1/2" x 5 1/2" x 72"	1	5
2	Seat Rail	1 1/2" x 5 1/2" x 72"	2	4
3	Cross Brace	1 1/2" x 5 1/2" x 59 1/2"	1	2
4	Leg	1 1/2" x 5 1/2" x 30 1/4"	2	4
5	Table Bracket	25 1/2"	2	2
6	Seat Bracket	8 3/4"	2	4
7	Center Brace	7/8" x 1 1/2" x 27"	2	1
8	Diagonal Brace	7/8" x 1 1/2" x 26 1/2"	2	2
9	Table End Cap	28"	2	2
10	Seat End Cap	11 1/8"	2	4
11	Leg End Cap	6 1/8"	2	4
12	Cross Brace End Cap	5 1/2"	2	4
13	Hardware Bag (Includes):		2	1
	▪ End Cap	7/8" x 1 1/2"		2
	▪ Screw	3/4"		72
	▪ Screw	1 1/2"		12
	▪ Bolt	1/4" x 3 1/2"		8
	▪ Bolt	1/4" x 2 1/4"		18
	▪ Nylon Nut	1/4"		26
	▪ Flat Washer	1/4"		52
	▪ Super Glue Tube			1





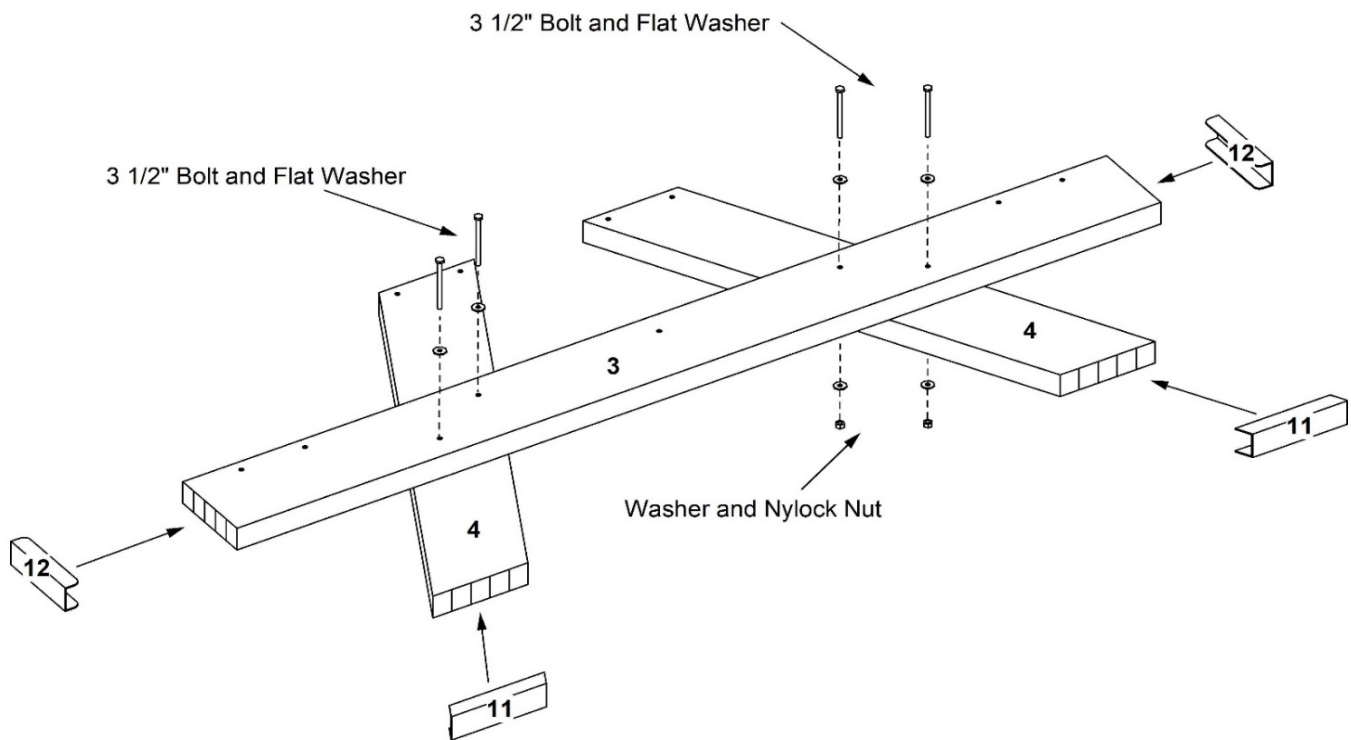
- 1** Lay out five 72" table top rails (part 1) as shown above with pilot holes facing up, leaving  $\frac{1}{8}$ " gap between rails. Table top rails have two holes in the center of each rail, seat rails do not. Set two 25 $\frac{1}{2}$ " table brackets (part 5) over pilot holes at each end of table top rail. Using twenty  $\frac{3}{4}$ " screws per bracket, fasten each bracket to table top rails.
- 2** Apply glue to inner edges of  $\frac{7}{8}$  x 1 $\frac{1}{2}$ " end cap (from hardware bag) and press on each end of 27" center brace (part 7). Set center brace over pilot holes in center of table top. Using ten 1 $\frac{1}{2}$ " screws, fasten center brace to table top.
- 3** Apply glue to inside edges of 28" table top end cap (part 9). Press end cap onto ends of table top (DO NOT slide from end). Take care that end cap is flush with ends of table and use a file to round off any sharp edges.



**4** Lay out two 72" seat rails (part 2) with pilot holes facing up, leaving  $\frac{1}{8}$ " gap between rails. Seat rails do not have any holes in the center of each rail. Set two 8 $\frac{3}{4}$ " seat brackets (part 6) over pilot holes at each end of seat rail. Using eight  $\frac{3}{4}$ " screws per bracket, fasten each bracket to seat rails.

**5** Apply glue to inside edges of 11 $\frac{1}{2}$ " seat end cap (part 10). Press end cap onto ends of seat (DO NOT slide from end). Take care that end cap is flush with ends of seat and use a file to round off any sharp edges.

Repeat to assemble second seat.

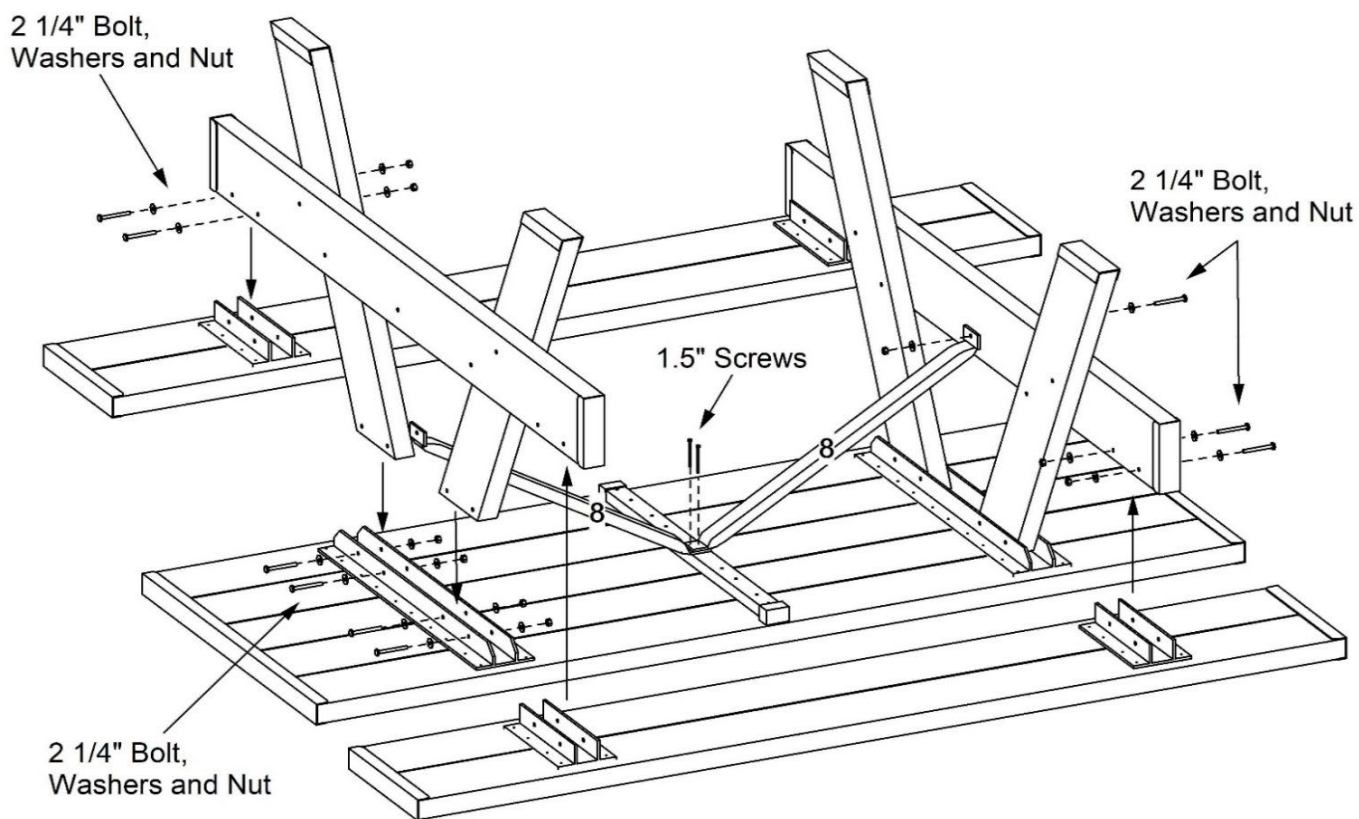


**6** Lay out two 30 $\frac{3}{4}$ " legs (part 4) on an angle, with pre-drilled holes for attaching table top nearest each other at top. Lay one 59 $\frac{1}{2}$ " cross brace (part 3) across legs; adjusting legs so bolt holes line up.

**7** Using four 3 $\frac{1}{2}$ " bolts, eight washers and four nuts, fasten cross brace to legs. (Do not over tighten as this will crush the vinyl) Bolt heads will face outside of the table.

**8** Apply glue to inside edges of 5 $\frac{1}{2}$ " cross brace end cap (part 12). Press end cap onto ends of cross brace (DO NOT slide from end). Take care that end cap is flush with ends and use a file to round off any sharp edges.

**9** Apply glue to inside edges of 6 $\frac{1}{8}$ " seat end cap (part 11). Press end cap onto ends of seat (DO NOT slide from end).



**10**

Insert one cross brace / leg assembly into bracket on underside of table top, with cross brace facing table edge. Using four 2¼" bolts, washers and nuts, fasten assembly to table top. Repeat with second cross brace / leg assembly for opposite end of table.

**11**

Using one 2¼" bolt, washer and nut, attach one 26½" diagonal brace (part 8) to center of each cross brace. In center of table, overlap free ends of diagonal braces and pre-drill two ⅝" holes through braces and into center brace . Using two 1½" screws, fasten both diagonal braces to center brace.

**12**

Position seat assembly over cross brace and line up bolt holes of brackets to holes in cross brace. Using four 2¼" bolts, washers and nuts, fasten seat assembly to cross brace. Repeat for second seat assembly.

# *Warranty Statement*

## 20 Year Guarantee

*Please call manufacturer direct with questions concerning missing or defective parts*

We products are warranted to be free from manufacturing defects resulting in delaminating, peeling, flaking, corroding, cracking, crazing, or extreme amounts of fading or bleaching causing the PVC to change to its natural color for a period of 20 years from the date of purchase.

*Normal weathering is defined as exposure to sunlight and extremes of weather and atmosphere which will cause any colored surface to gradually fade.*

### **CONDITIONS NOT COVERED BY THIS WARRANTY:**

- A. Physical abuse, misuse, neglect, or improper storage.
- B. Improper installation or installation not in strict adherence to the instructions written by us.
- C. This warranty does not apply if materials are painted, varnished, or coated with any substance.
- D. We are not responsible for damages to product during shipping.
- E. Damage attributable to atmospheric pollutants, hail, lightning, hurricane, tornado, wind borne objects, earthquake, fire, mildew, casualty, act of God, building or ground settlement, or subjection to stress or weight.

### **CLAIMS AND REMEDIES:**

If a product is determined to have a manufacturing defect which is covered by this warranty, we will replace the material containing the defect (labor not included) F.O.B from the point of manufacture. We will not be responsible for any cost incurred in the removal or reinstallation of the product.

**Important:** All claims must be sent to us and should describe the defect claim.

We reserve the right to discontinue or change its design and/or color. If the original color or style is not available, we shall have the right to substitute a product designated by us.

We shall not be liable for any incidental, special, or consequential damages arising out of the use of these products.