



IMPORTANT NOTE

1. PLACE ALL PARTS ON A CLEAN AND SMOOTH SURFACE SUCH AS A RUG OR CARPET TO AVOID THE PARTS FROM BEING SCRATCHED
2. BEFORE YOU BEGIN, KINDLY FOLLOW THE ASSEMBLY INSTRUCTIONS STEP BY STEP
3. DO NOT TIGHTEN ALL SCREWS AND BOLTS UNTIL THE BED IS FULLY SET-UP

SAFETY WARNING AND GENERAL NOTE

Follow the information on the warnings on the bunk bed end structure and on the carton. Do not remove the warning label from the bed.

Always use the recommended size mattress on mattress support, or both, to help prevent the likelihood of entrapment or falls.

The top surface of the mattress must be at least 5" (127mm) below the upper edge of the guardrail.

Do not allow children under 6 years of age to use the upper bunk.

Periodically check and ensure the guardrail, ladder and other components are in their proper position, free from damage, and all connectors are tight.

Prohibit horseplay on or under beds. Always prohibit jumping on the bed.

Prohibit more than one person on upper bunk.

Always use the ladder for entering and leaving the upper bunk.

Do not use substitute parts. Contact the manufacturer or dealer for replacement parts.

Use of a night-tight may provide added safety precaution for a child using the upper bunk.

Always use guardrails on both long sides of the upper bunk.

If the bunk bed will be placed next to a wall, the guardrail that runs the full length of the bed should be placed against the wall to prevent entrapment between the bed and the wall.

The use of water or sleep flotation mattresses is prohibited.

Keep these instructions for future reference.

We recommend assembling your bunk bed on the shipping carton to protect your floor or carpet. Be certain all staples are out of the box before beginning assembly on the shipping carton.

USE ONLY MATTRESSES WHICH ARE AS THE TABLE BELOW ON UPPER AND ON LOWER BUNKS.

Upper bunk

Bed type	Length	Width	Thickness
Twin Standard	74" - 75"	37 ½" - 38 ½"	8" Max

Lower Bunk

Bed type	Length	Width	Thickness
Full Standard	74" - 75"	54"	6" Max

SURFACE OF MATTRESS MUST BE AT LEAST 5" (127MM) BELOW THE UPPER EDGE OF GUARDRAILS.

Replacement Parts:

Replacement Parts, including additional guardrails, may be obtained from any of our (GIGACLOUD TECHNOLOGY (USA) INC) dealers.

1. At the beginning

Tighten all hardware.

Check metal parts for rust. If found, sand and repaint using a non-lead-based paint meeting the requirements of 16 CFR 1303.

Check all wood members for deterioration and splinters. Sand down splinters and replace deteriorating wood members.

Rake and check depth of loose fill protective surfacing materials to prevent compaction and to maintain appropriate depth. Replace as necessary.

2. Twice a month

. Tighten all hardware.

. Rake and check depth of loose fill protective surfacing materials to prevent compaction and to maintain appropriate depth. Replace as necessary.

3. Owners shall be responsible for maintaining the legibility of the warning labels.

4. Disposal Instructions

There shall be instructions advising the owner to disassemble and dispose of the playground equipment in such a way that no unreasonable hazards will exist at the time the playground equipment is discarded.

5. The instructions shall also include the information found in Section 4 of the United States Consumer Product Safety Commission's (USCPSC) Outdoor Home Playground Safety Handbook or specific surfacing guidelines for the product consistent with the USCPSC Handbook. A copy of this section may be found in Appendix X2.

6. Observing the following statements and warnings reduces the likelihood of serious or fatal injury.

7. Specifying the number and weight of occupants that may safely use the equipment singly or simultaneously.

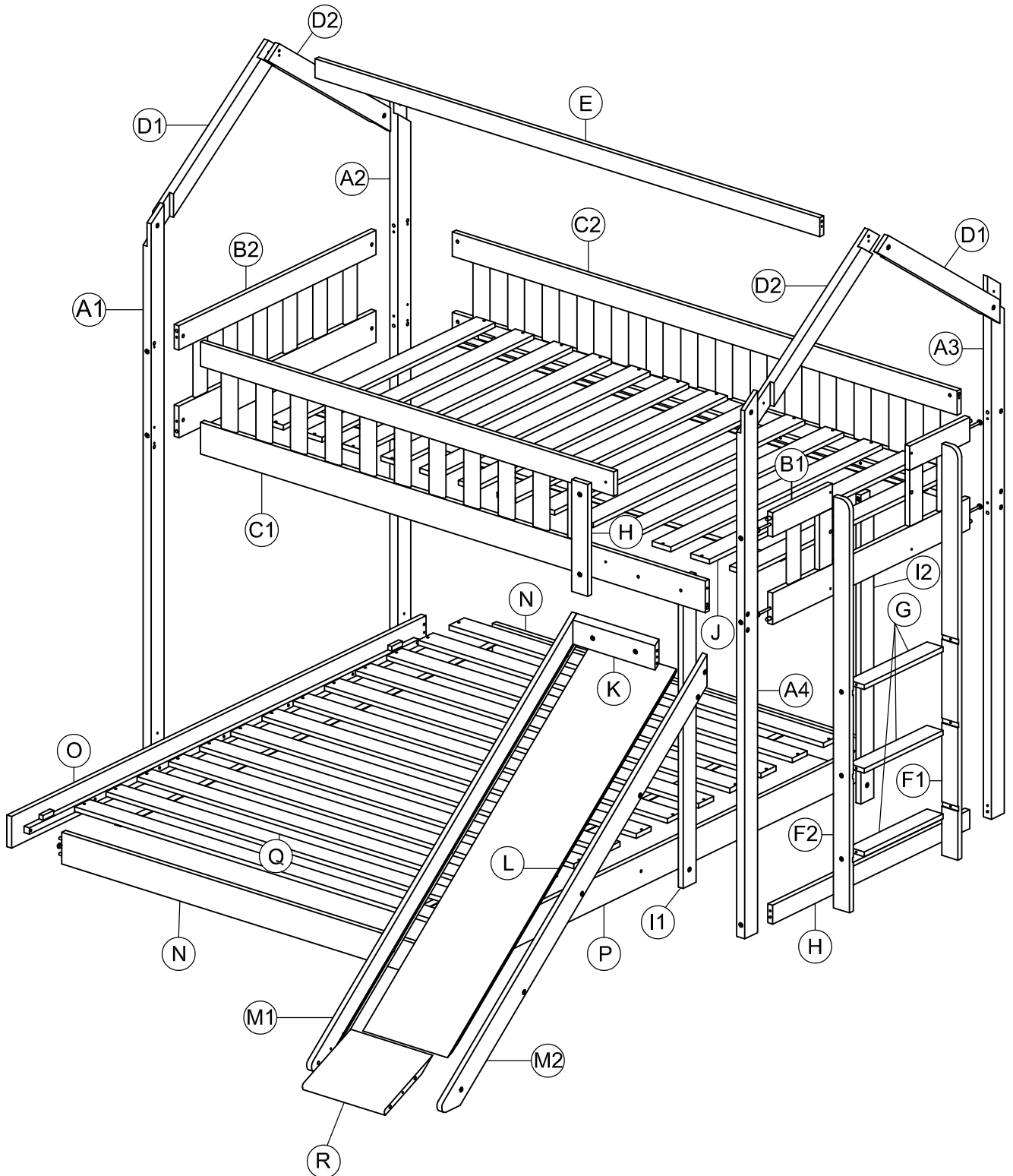
8. Recommending on-site adult supervision for children of all ages.

9. Warning the owner to instruct children not to use the equipment in a manner other than intended.

10. Warning the owner to instruct children not to get off equipment while it is in motion.

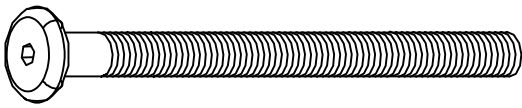
11. Warning the owner not to allow children to wear inappropriate items, such as but not limited to, loose fitting clothing, hood and neck drawstrings, scarves, cord-connected items, capes and ponchos. These items can cause death by strangulation.
12. Warning the owner to instruct children not to climb when the equipment is wet.
13. Warning the owner to instruct children not to attach items to the playground equipment that are not specifically designed for use with the equipment, such as, but not limited to, jump ropes, clothesline, pet leashes, cables and chain as they may cause a strangulation hazard.
14. Warning the owner to instruct children to remove their bike or other sports helmet before playing on the playground equipment.
15. Warning the owner to dress children with well-fitting and full foot enclosing footwear. Examples of inappropriate footwear are clogs, flip flops, and sandals.
16. Place the equipment on level ground, not less than 6 ft (1.8 m) from any structure or obstruction such as a fence, garage, house, overhanging branches, laundry lines, or electrical wires.
17. Do not install home playground equipment over concrete, asphalt, packed earth, grass, carpet, or any other hard surface. A fall onto a hard surface can result in serious injury or death to the equipment user.
18. To prevent serious injury, cautionary statements shall be included which warn that children must not use the equipment until properly installed.

Model #:
WF287843, WF287844, WF287845
Distributed by:
GIGACLOUD TECHNOLOGY (USA) INC
18961 ARENTH AVENUE
CITY INDUSTRY, CA, 91784
Manufactured:
12/2021
MADE IN VIETNAM



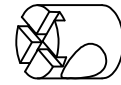
HARDWARE LIST IN WF287843

1



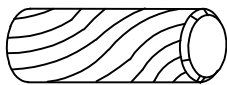
1/4x60mm
Hex head bolt - 35 pcs

2



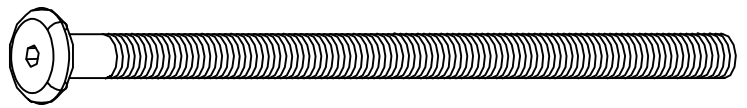
1/4xØ10x13mm
Horizontal - hole bolt - 45 pcs

3



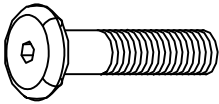
Ø10x30mm
Wood dowel - 37 pcs

4



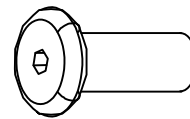
1/4x90mm
Hex head bolt - 10 pcs

5



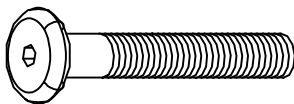
1/4x20mm
Hex head bolt - 4 pcs

6



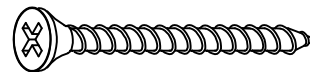
1/4x15mm
Sleeve nut - 4 pcs

7



1/4x30mm
Hex head bolt - 14 pcs

8



Ø4x35mm
Wood screw - 52 pcs

9



K4x60mm
Allen key - 1 pc

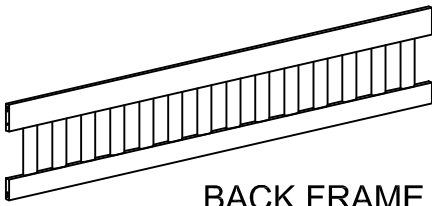
10



1.2x6.5x13mm
Spring washer - 14 pcs

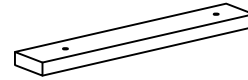
PART LIST BOX 1 - WF287843

C2



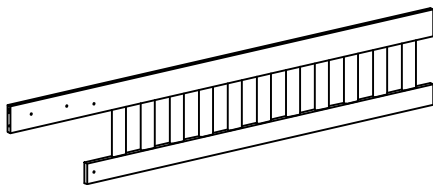
BACK FRAME (1 pc)

H



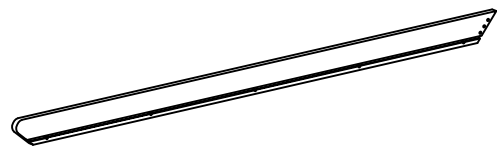
SUPPORT RAIL OF TOP FRAME (1 pc)

C1



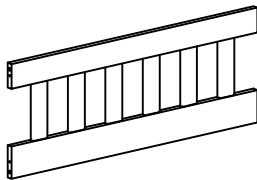
FRONT FRAME (1 pc)

M1



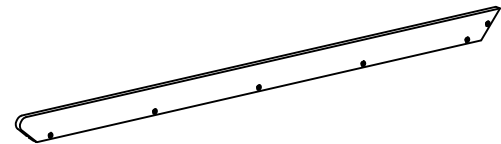
LEFT RAIL OF SLIDE (1 pc)

B2



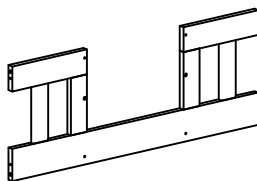
FOOT FRAME (1 pc)

M2



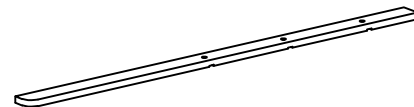
RIGHT RAIL OF SLIDE (1 pc)

B1



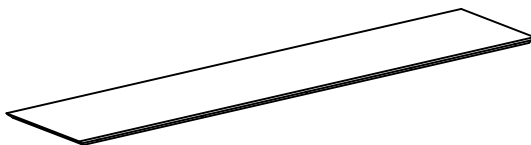
HEAD FRAME (1 pc)

F1



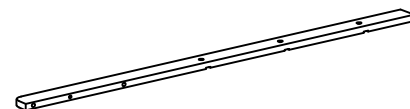
RIGHT RAIL OF STAIR (1 pc)

L



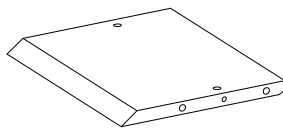
SLIDE PANEL (1 pc)

F2



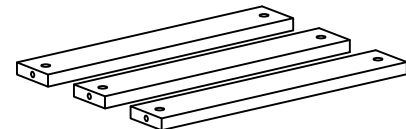
LEFT RAIL OF STAIR (1 pc)

R



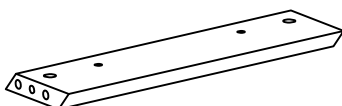
SUPPORT SLIDE PANEL (1 pc)

G



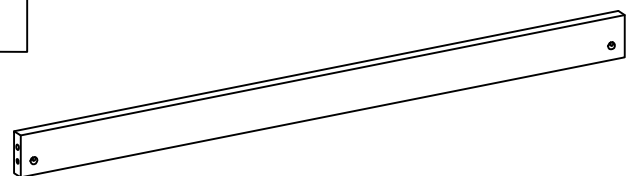
STAIR BAR (3 pcs)

K



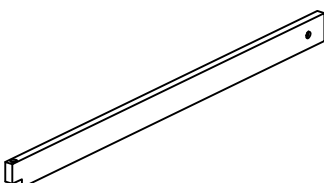
SUPPORT RAIL OF SLIDE (1 pc)

H



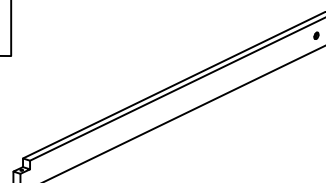
SUPPORT FRONT LEGS (1pc)

I1



VERTICAL-FRONT (1 pc)

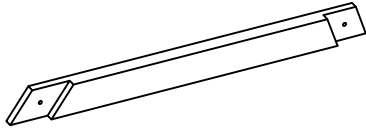
I2



VERTICAL-BACK (1 pc)

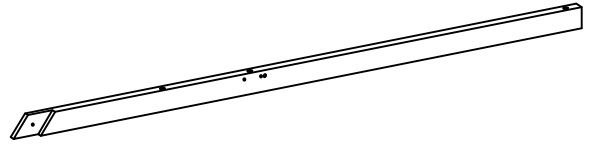
PART LIST BOX 2 - WF287844

D1



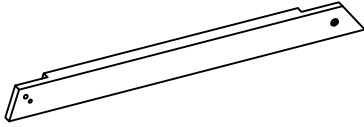
RAFTER BAR (2pcs)

A4



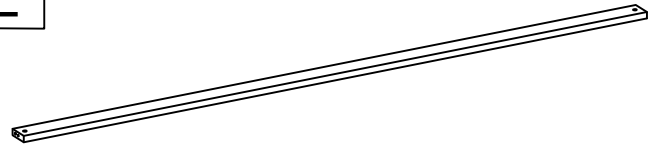
FRONT LEG-LEFT (1pc)

D2



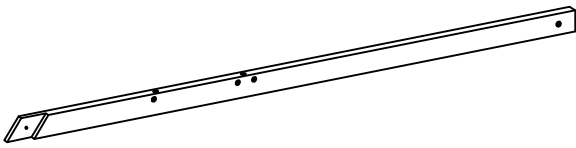
RAFTER BAR (2pcs)

E



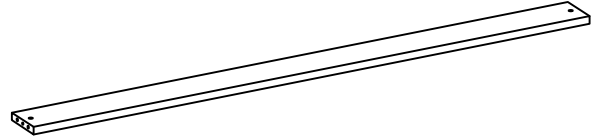
SUPPORT RAFTER (1pc)

A1



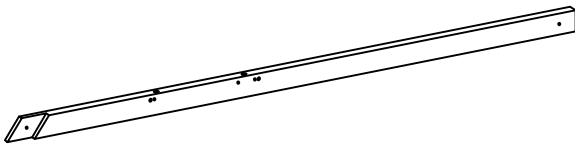
BACK LEG-RIGHT (1pc)

N



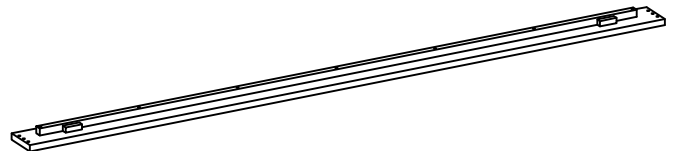
RAIL FULL BED-FRONT/BACK (2pcs)

A2



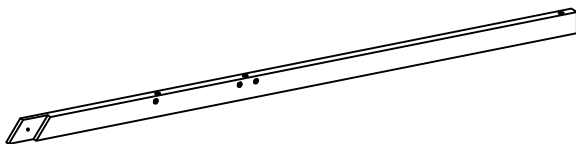
BACK LEG-LEFT (1pc)

O



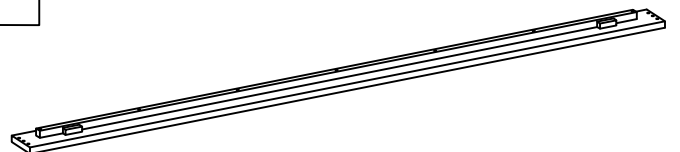
RAIL FULL BED-LEFT (1pc)

A3



FRONT LEG-RIGHT (1pc)

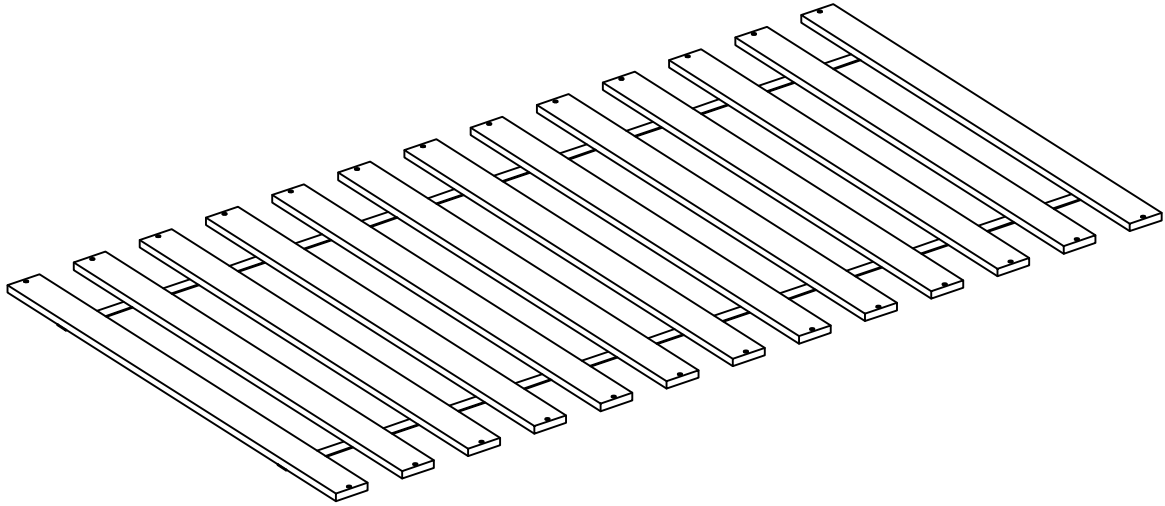
P



RAIL FULL BED-RIGHT (1pc)

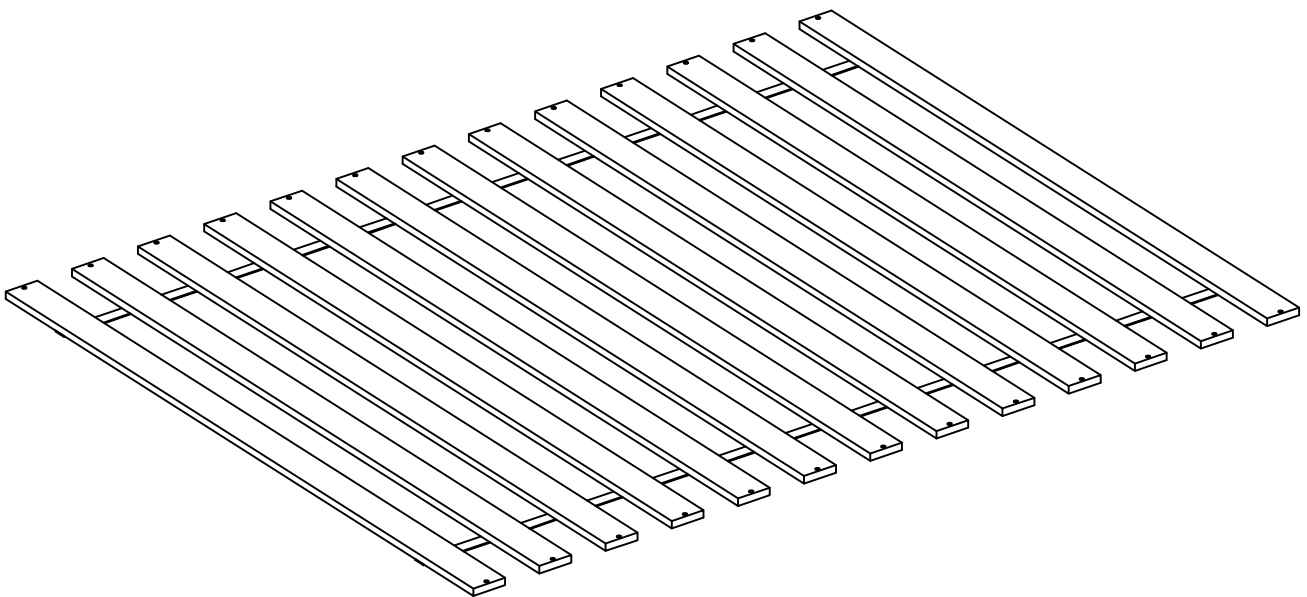
PART LIST BOX 3 - WF287845

J



SLATS (13 pcs)

Q

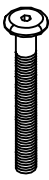


SLATS (13 pcs)

ASSEMBLY INTRUCCSION

STEP 1

1
Hex head bolt
1/4x60mm - 18 pcs



2
Horizontal - hole bolt
1/4xØ10*13mm - 18 pcs



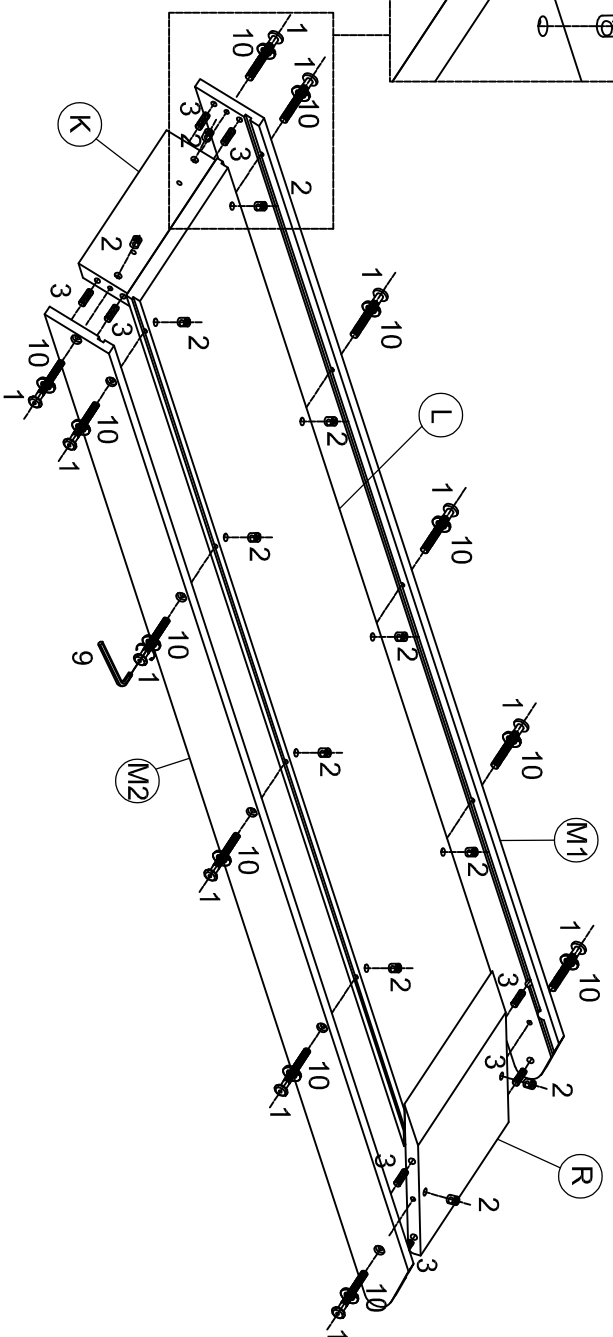
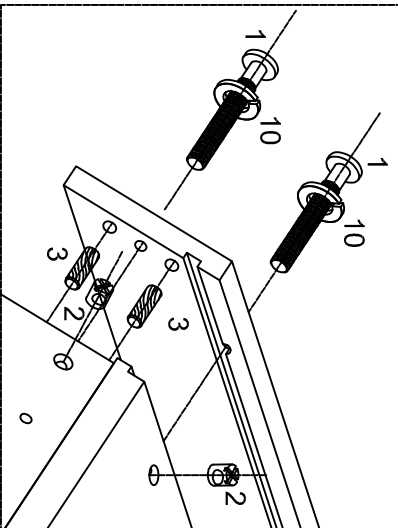
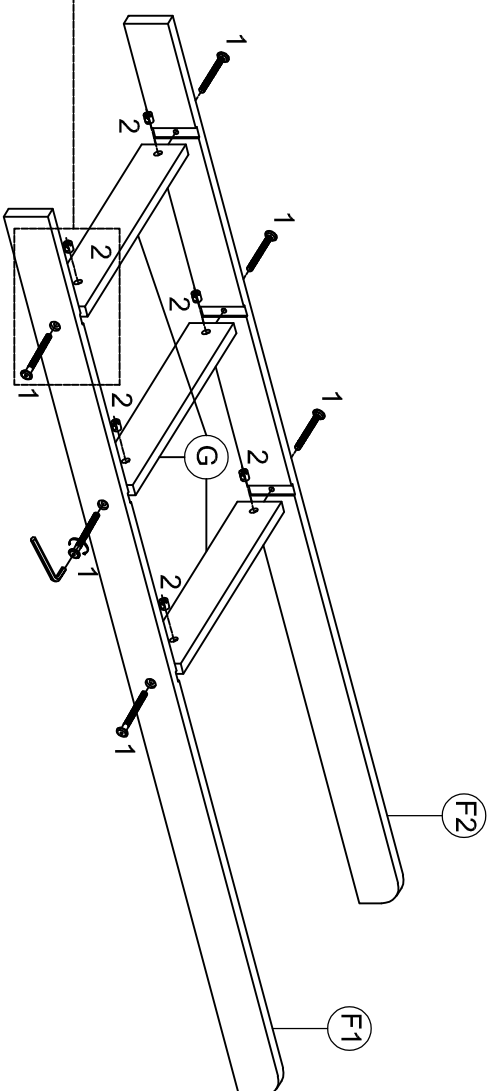
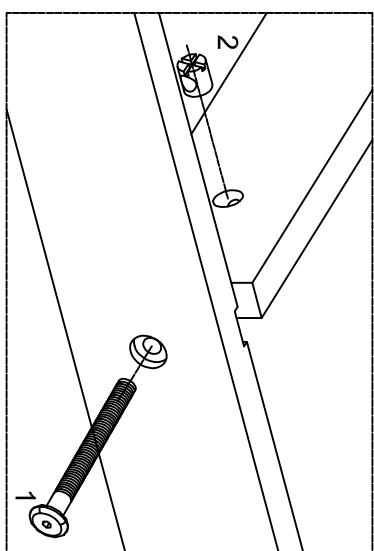
3
Wood dowel
Ø10x30mm - 8 pcs



9
Allen key
K4x60mm - 1 pc

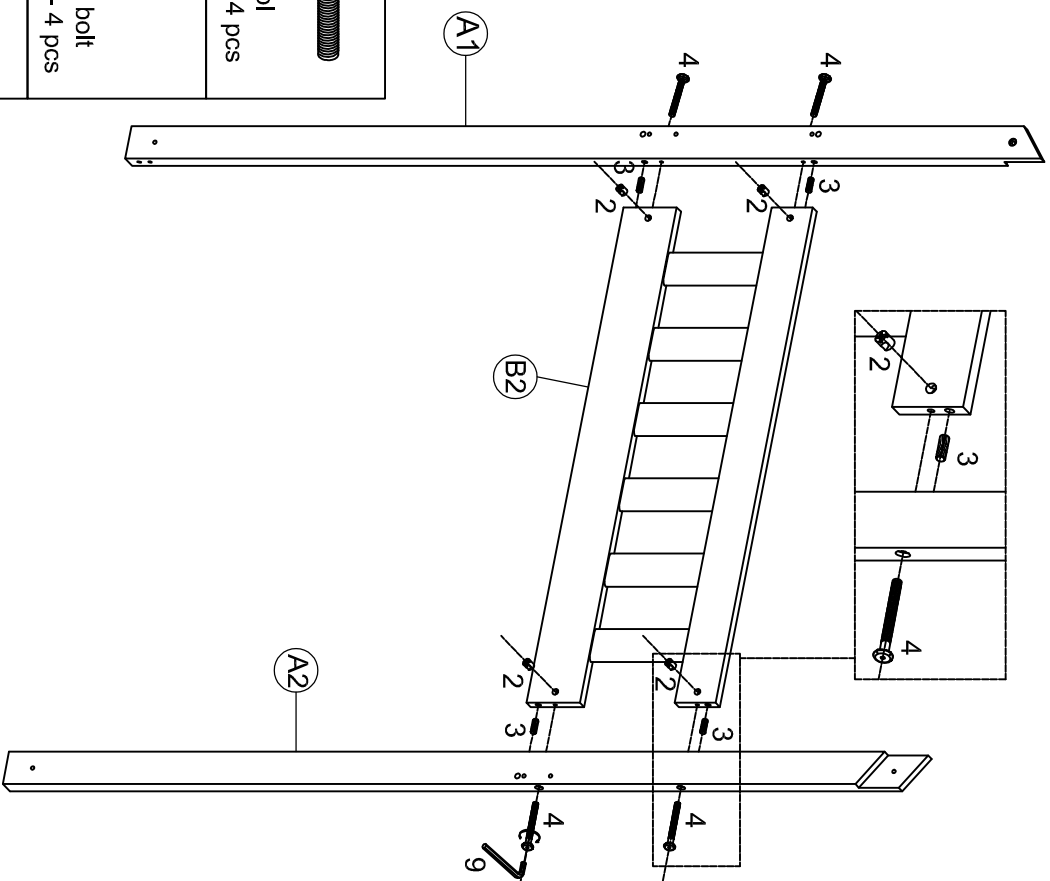


10
1.2x6.5x13mm
Spring washer - 12 pcs



ASSEMBLY INTRUCCSION

STEP 2



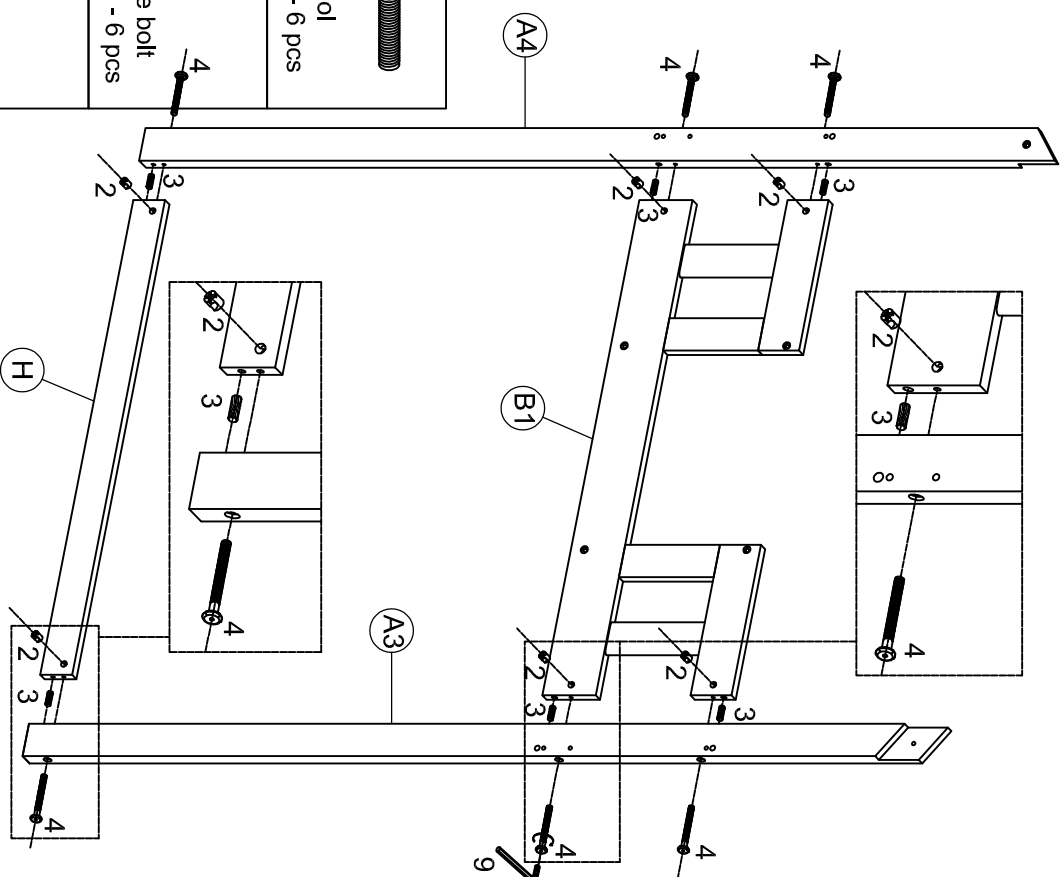
4
Hex head bol
1/4x90mm - 4 pcs

2
Horizontal - hole bolt
1/4xØ10*13mm - 4 pcs

3
Wood dowel
Ø10x30mm - 4 pcs

9
Allen key
K4x60mm - 1 pc

STEP 3



4
Hex head bol
1/4x90mm - 6 pcs

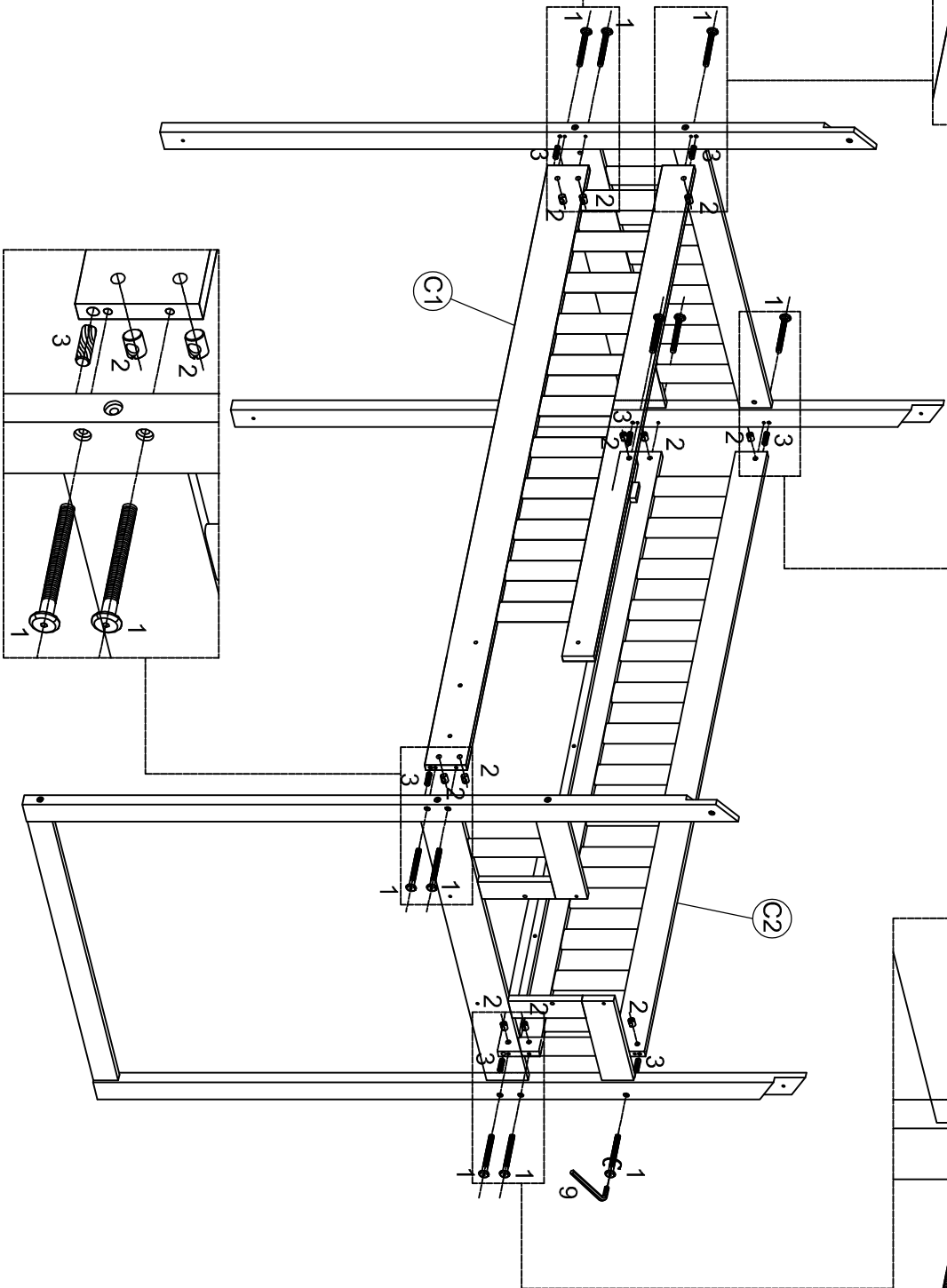
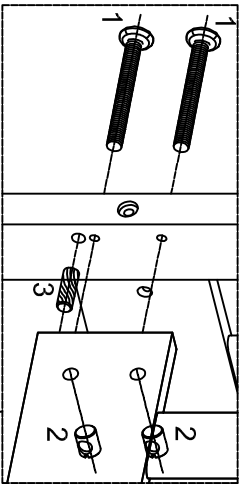
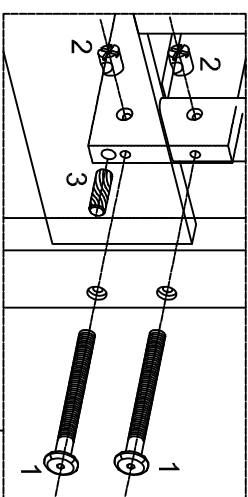
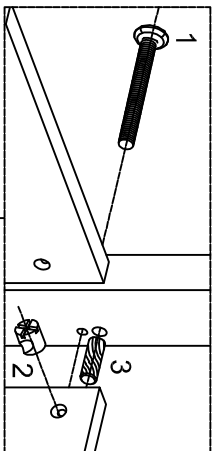
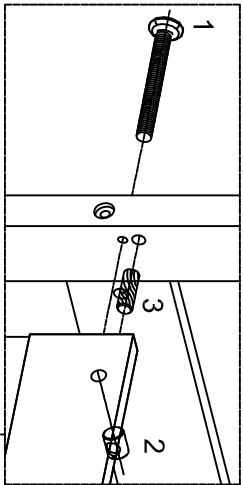
2
Horizontal - hole bolt
1/4xØ10*13mm - 6 pcs

3
Wood dowel
Ø10x30mm - 6 pcs

9
Allen key
K4x60mm - 1 pc

ASSEMBLY INTRUCCSION

STEP 4



1
Hex head bolt
1/4x60mm - 11 pcs

2
Horizontal - hole bolt
1/4xØ10*13mm - 11 pcs

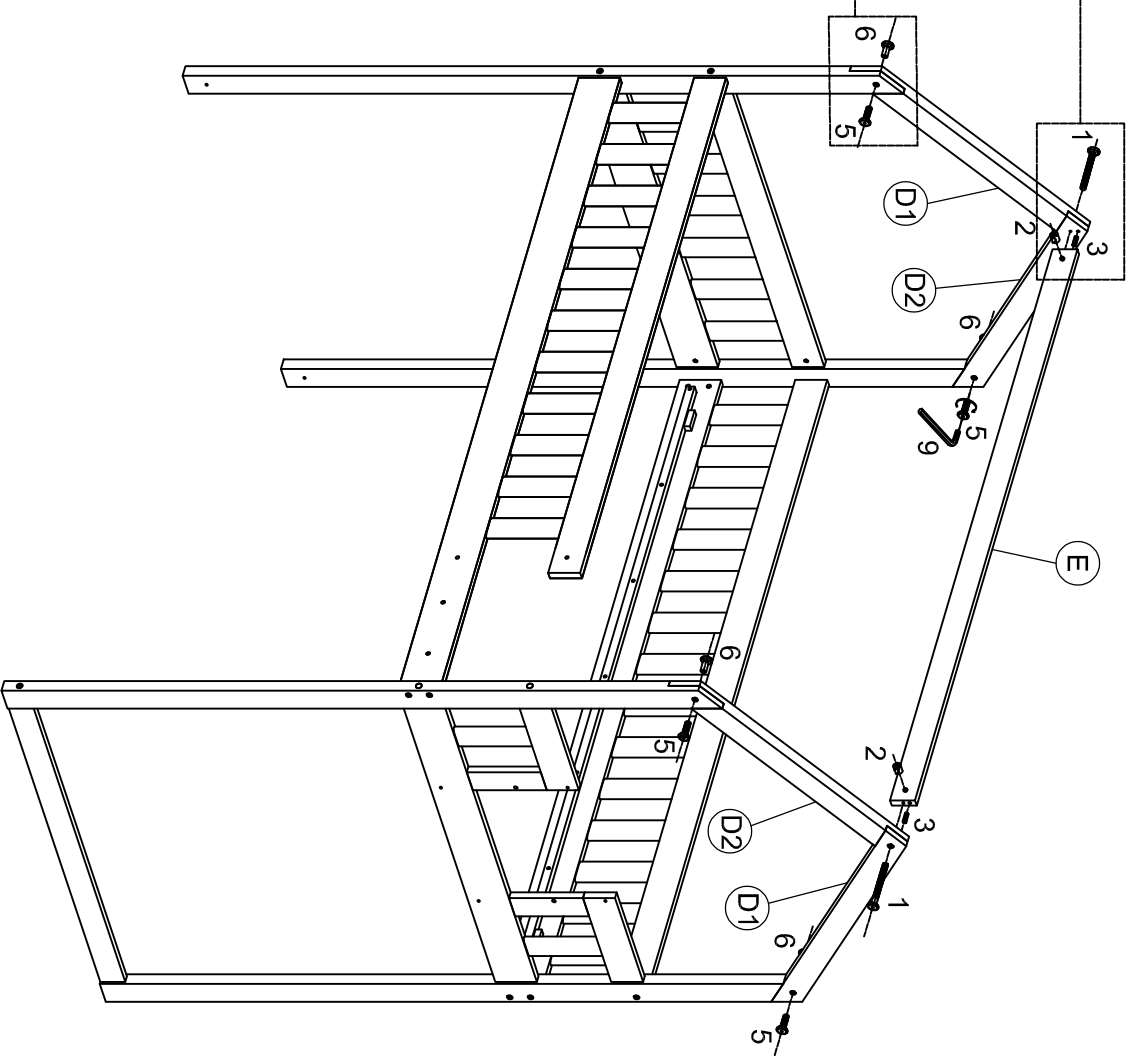
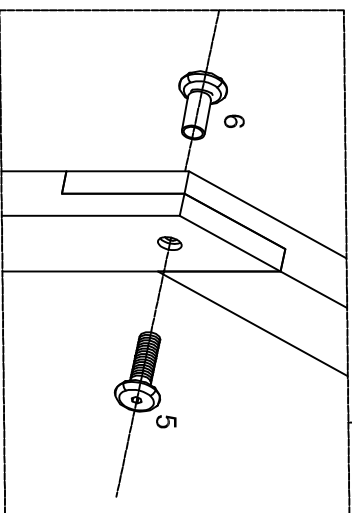
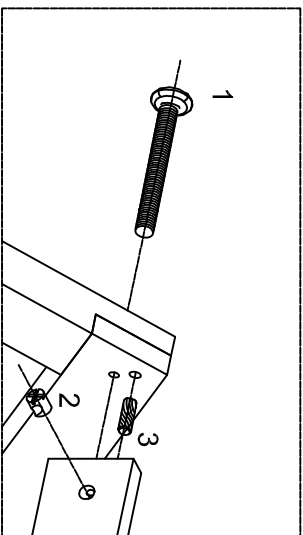
3
Wood dowel
Ø10x30mm - 7 pcs

9
Allen key
K4x60mm - 1 pc

ASSEMBLY INTRUCCSION

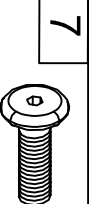
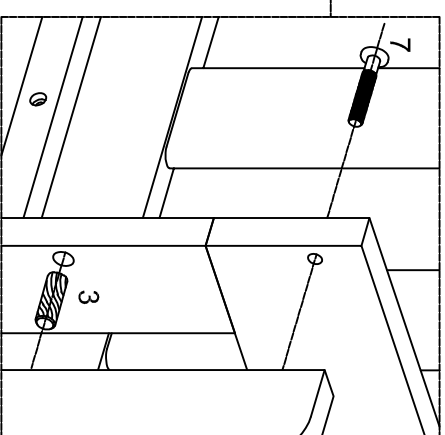
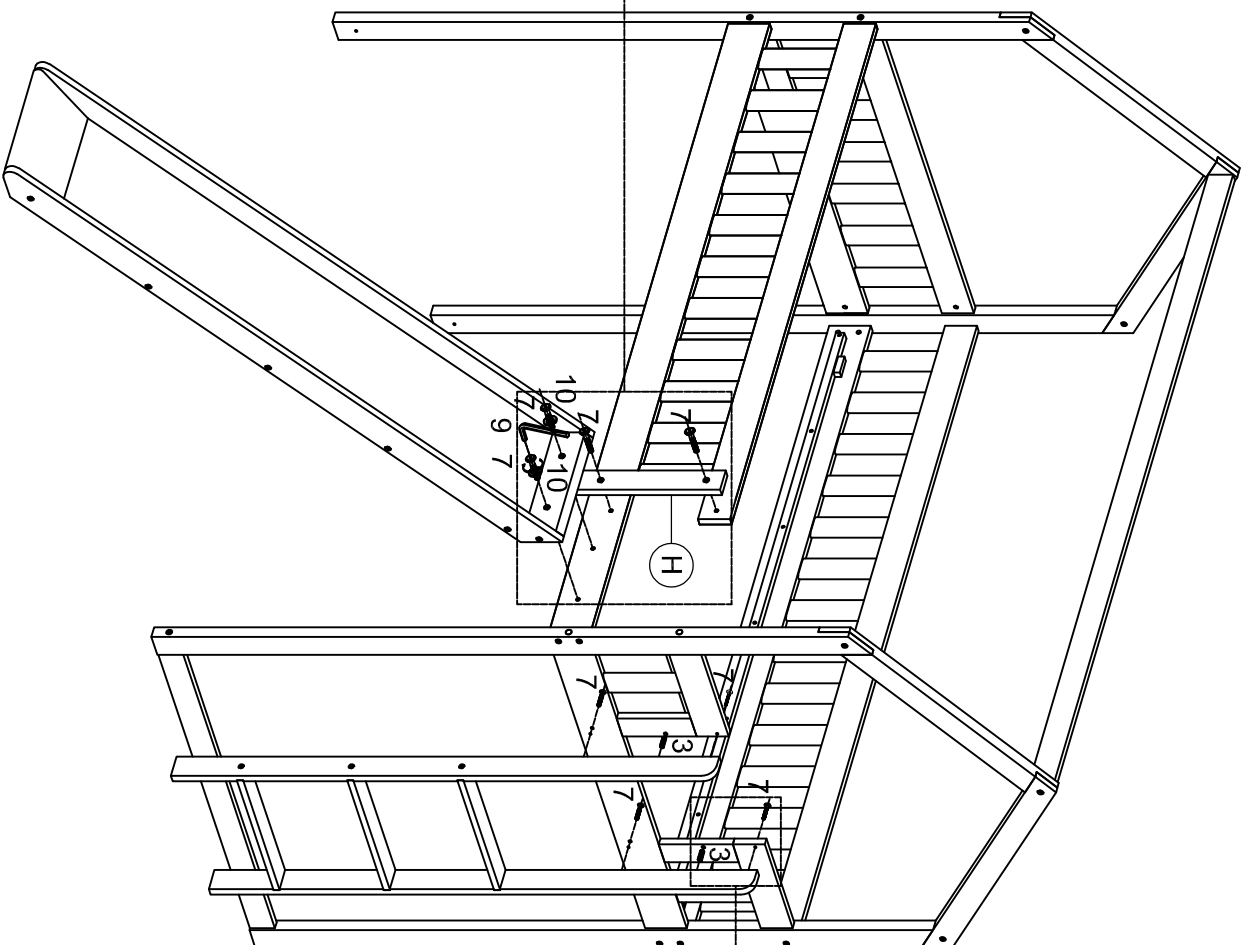
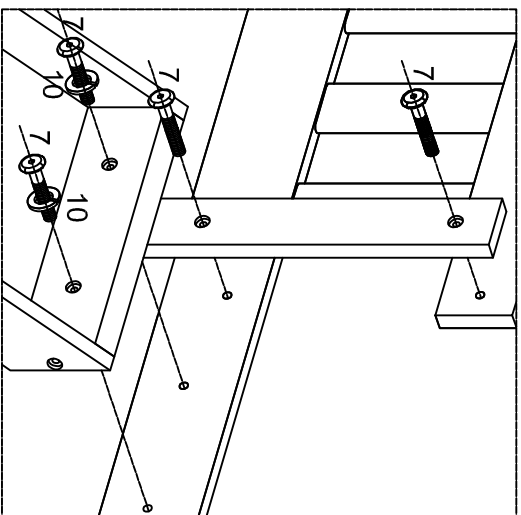
STEP 5

- 1 Hex head bolt
1/4x60mm - 2 pcs
- 2 Horizontal - hole bolt
1/4xØ10*13mm - 2 pcs
- 3 Wood dowel
Ø10x30mm - 2 pcs
- 5 Hex head bolt
1/4x20mm - 4 pcs
- 6 Sleeve nut
1/4x15mm - 4 pcs
- 9 Allen key
K4x60mm - 1 pc



ASSEMBLY INTRUCCSION

STEP 6



Hex head bolt
1/4x30mm - 8 pcs



Wood dowel
Ø10x30mm - 2 pcs



Allen key
K4x60mm - 1 pc

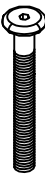


1.2x6.5x13mm
Spring washer - 2 pcs

ASSEMBLY INTRUCCSION

STEP 7

1
Hex head bolt
1/4x60mm - 4 pcs



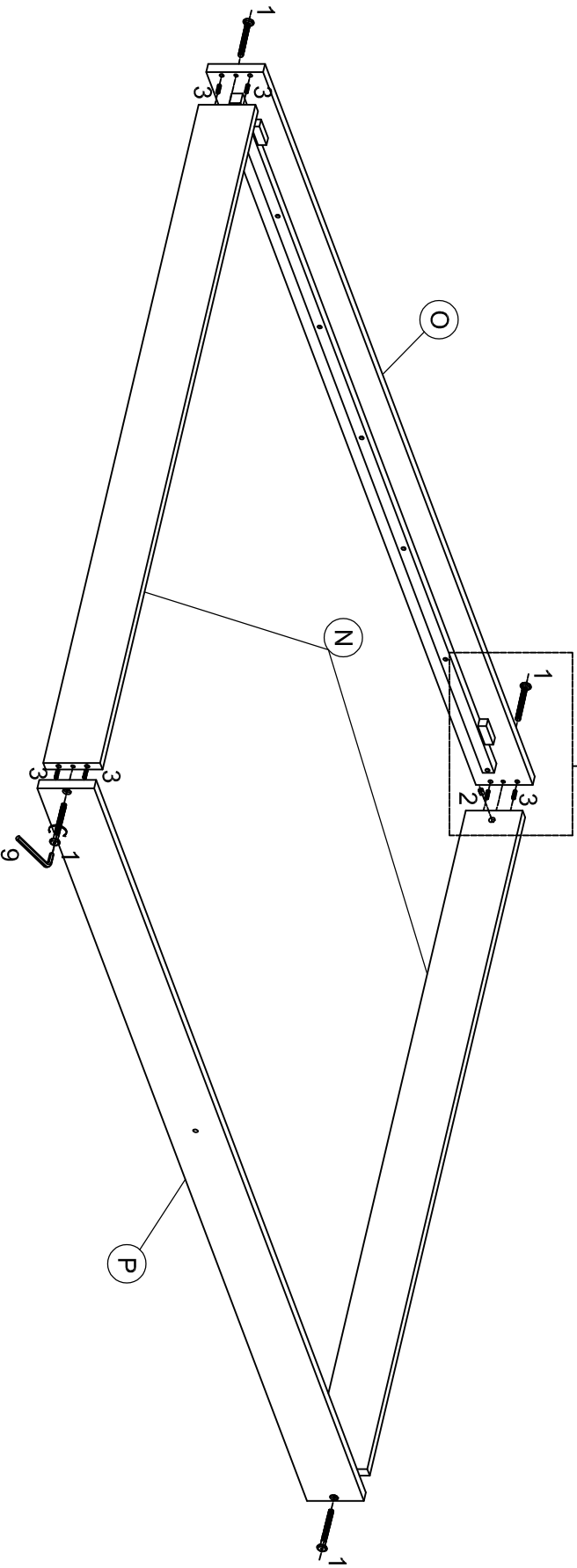
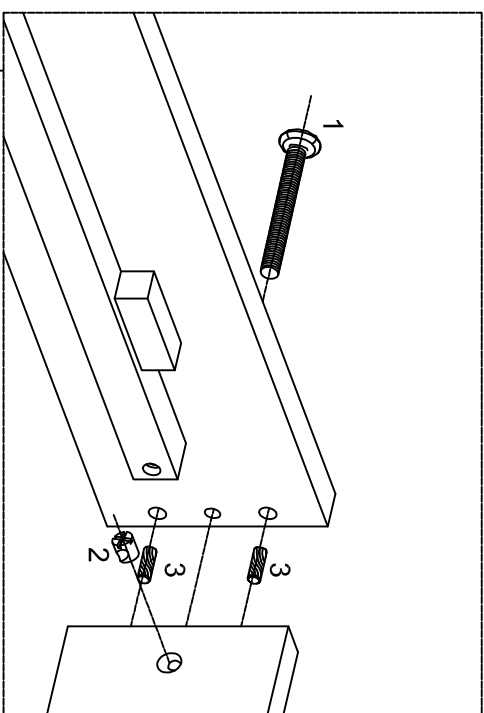
2
Horizontal - hole bolt
1/4xØ10*13mm - 4 pcs



3
Wood dowel
Ø10x30mm - 8 pcs

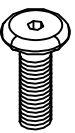
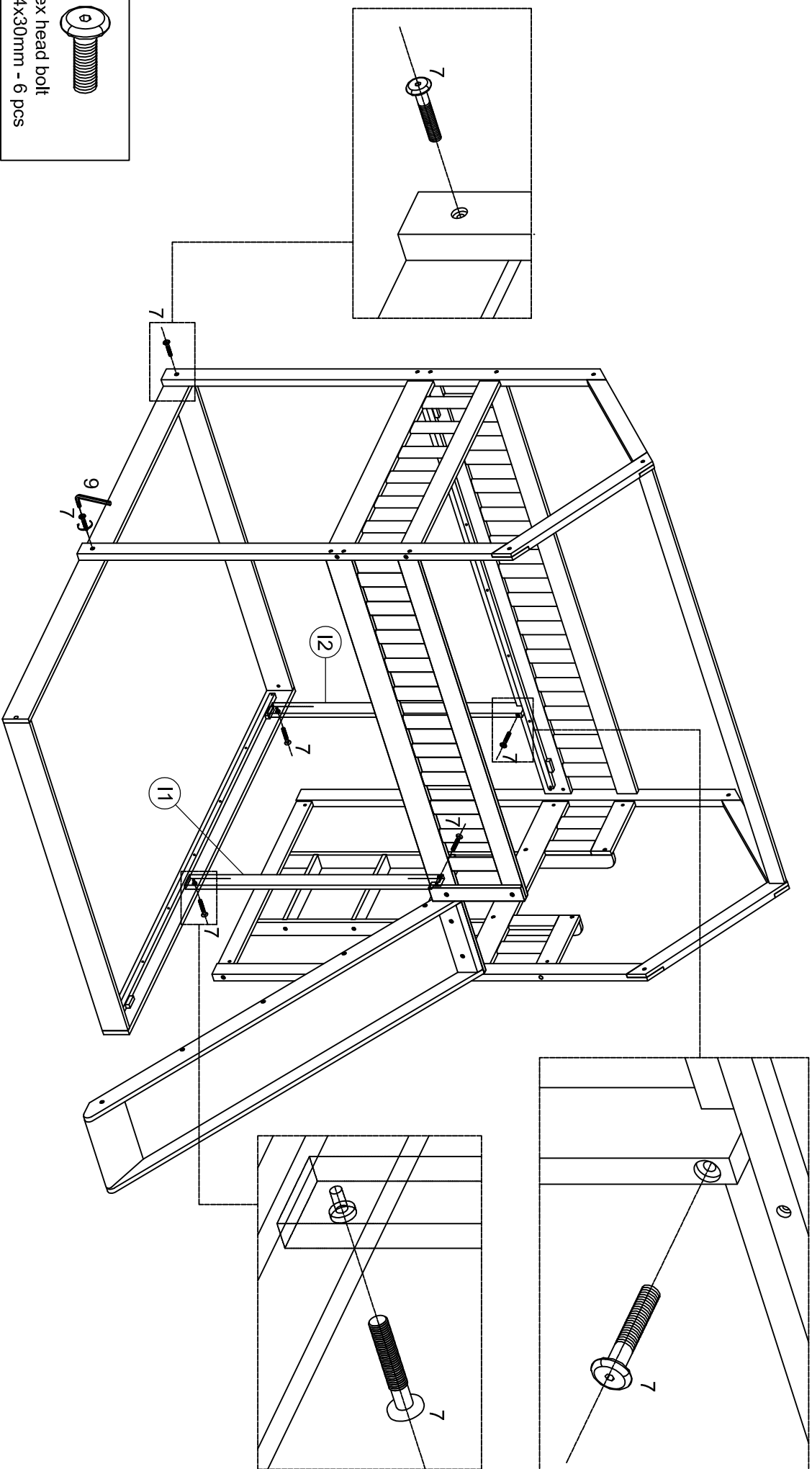


9
Allen key
K4x60mm - 1 pc



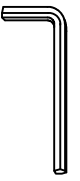
ASSEMBLY INTRUCCSION

STEP 8



1/4x30mm - 6 pcs

7

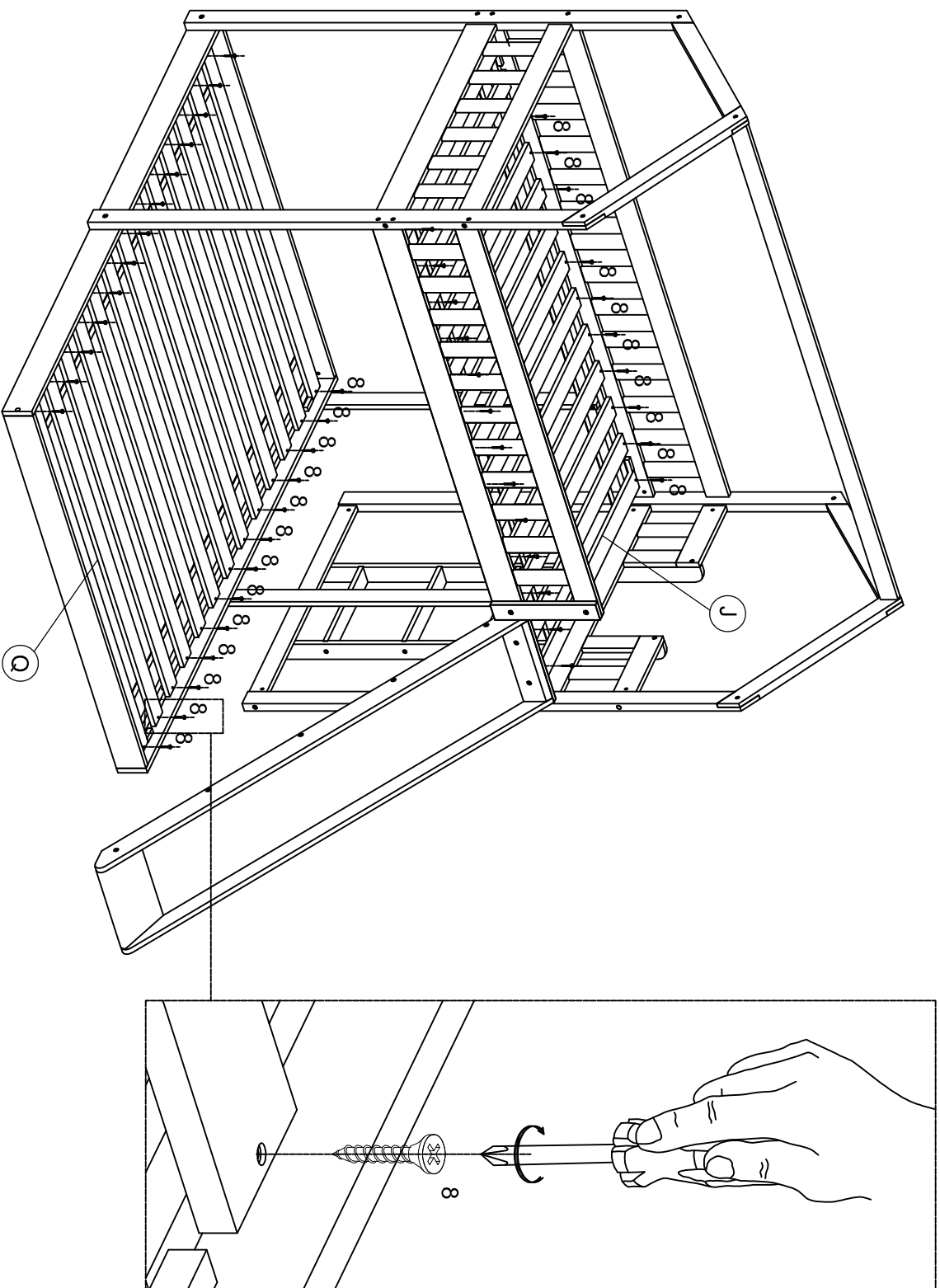


K4x60mm - 1 pc

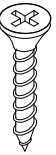
9

ASSEMBLY INTRUCCSION

STEP 9



8



Wood screw
Ø4x35mm - 52 pc