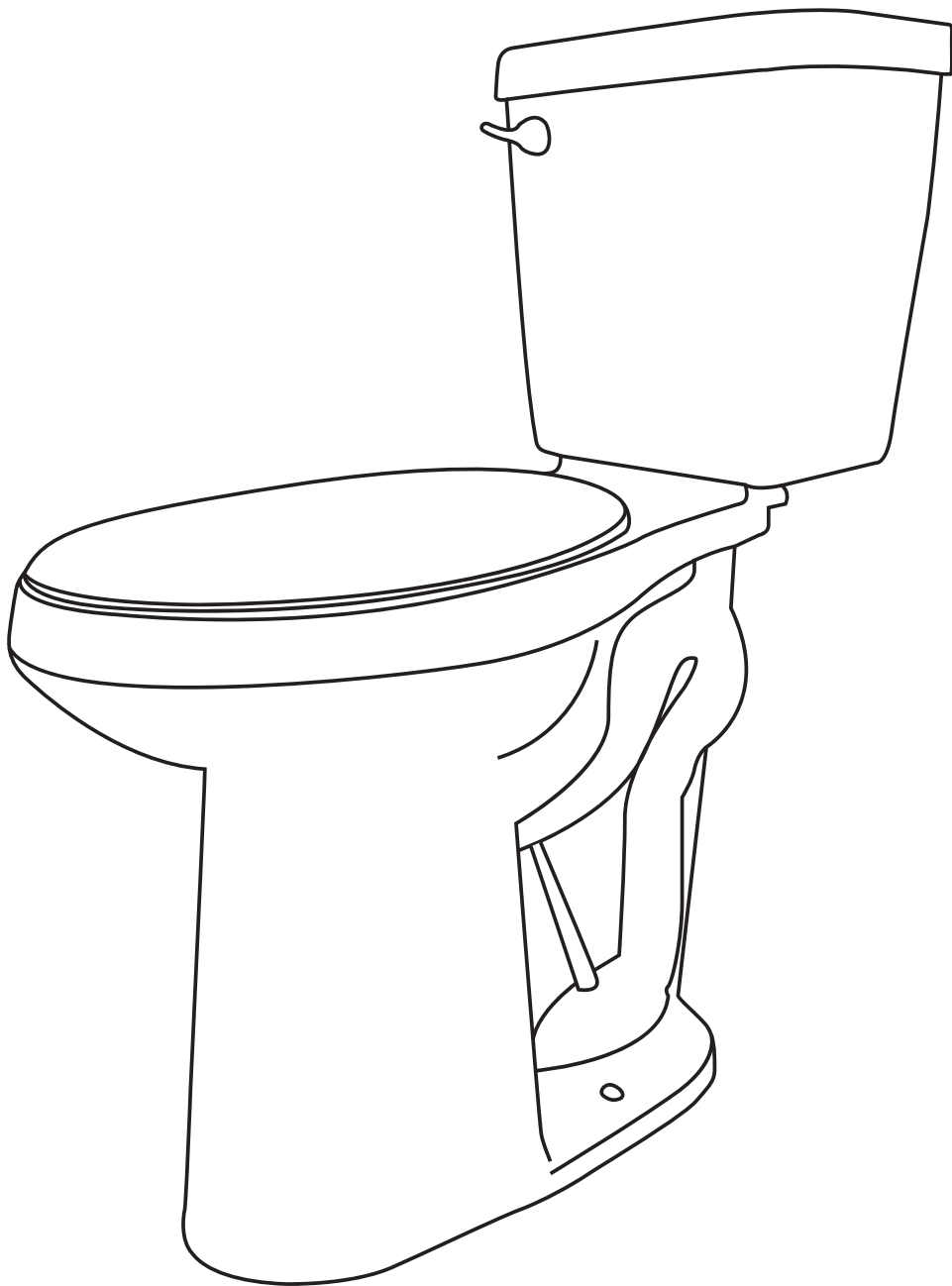


INSTALLATION INSTRUCTIONS

Two-Piece Toilet





Prior to Installation

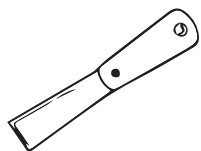
- Inspect toilet to ensure no damages have occurred while in shipping.
- Observe all plumbing and building codes in accordance with your state and local requirements.
- Remove old toilet.
- Make sure mounting surface is CLEAN and LEVEL.

General Recommendations

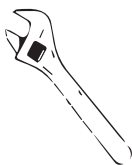
Please read installation and maintenance instructions thoroughly before installing the toilet.

Be sure to use proper tools and always wear proper personal safety accessories for your protection.

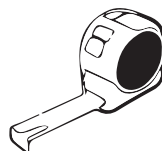
SUGGESTED TOOLS AND MATERIALS



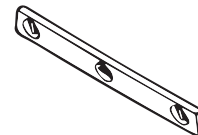
Putty Knife



Wrench



Tape Measure



Level



Water Supply Kit



Cross Screwdriver

PARTS LIST

Tank lid, water fitting, soft-close toilet seat, bolts kit, wax ring, installation instruction.



1. Read the complete instruction manual before beginning installation.
2. Confirm that your model will fit in intended location and plumbing fixtures are located where legally required before beginning installation.



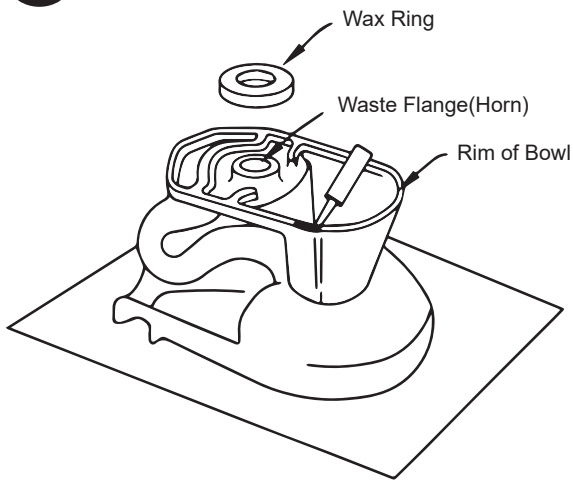
3. Not all drawings on this manual are drawn to scale. Please refer to the model chart.



4. Two people are recommended to install and move this product.
5. Product is FRAGILE! To avoid breakage and possible injury handle with care.

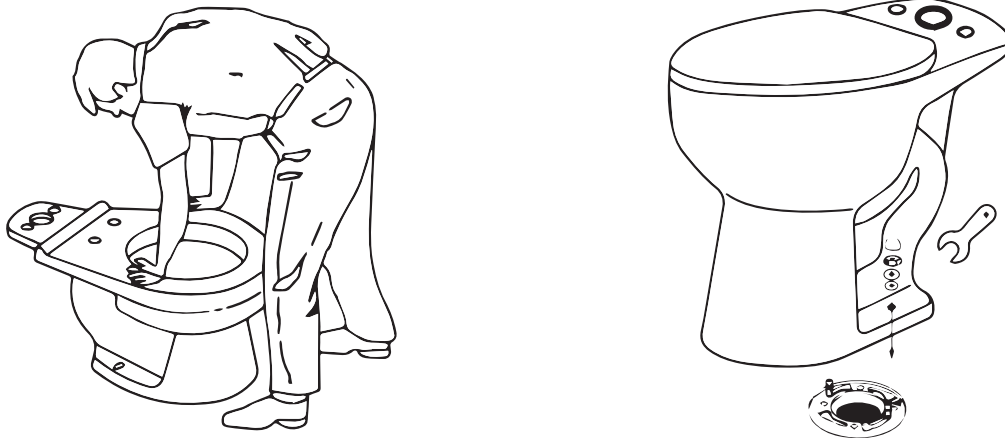
NOTE: Drawings may not exactly define contour of the product.

1



Insert the new toilet bolts in the slotted flange with the bolt heads down, Place the toilet bowl upside down on a soft material to prevent scratching. Place the waxring evenly around the waste flange (horn), with tapered end of the ring facing the toilet. Apply a thin bead of sealant around the toilet base.

2

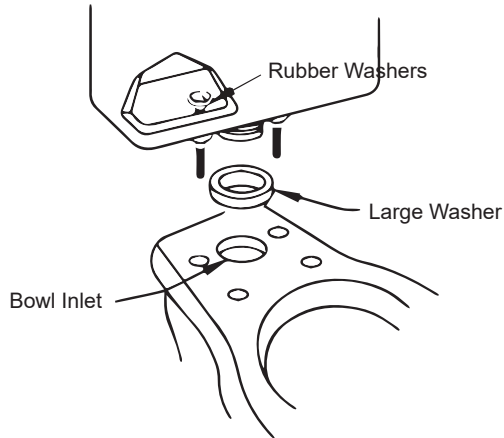


Insert the new toilet bolts in the slotted flange with the bolt heads down, Place the toilet bowl upside down on a soft material to prevent scratching. Place the waxring evenly around the waste flange (horn), with tapered end of the ring facing the toilet. Apply a thin bead of sealant around the toilet base.

IMPORTANT - DO NOT OVER TIGHTEN NUTS! Over tightening the nuts can cause chips and cracks.

NOTE: Drawings may not exactly define contour of the product.

3

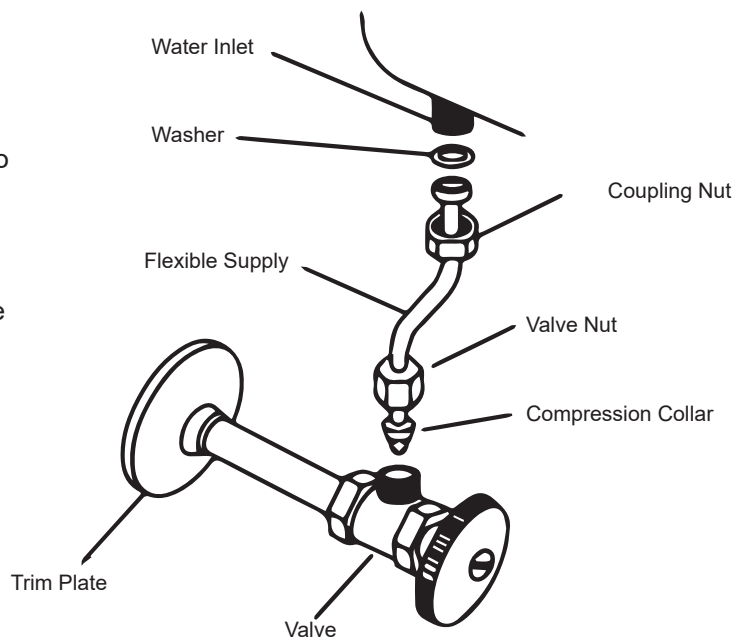


IMPORTANT - DO NOT OVER TIGHTEN NUTS! Over tightening the nuts can cause chips and cracks.

Carefully remove the tank and lid. Gently place the tank upside down on a soft material to prevent scratching. Please make sure the large washer (doughnut) is installed correctly. It should fit snugly over the plastic lock nut on the threaded tank outlet. Remove the plastic nut and metal washer. Place the tank on the toilet bowl with the large doughnut washer centered on the bowl inlet. From underneath add a metal washer and plastic nut to each bolt leaving loose for adjustments. Verify the tank is parallel to the wall and slightly tighten the plastic nuts alternating back and forth, until the tank is in contact with the bowl piers.

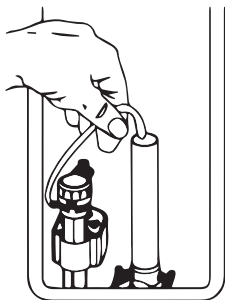
4

Connect the water supply line (not included) to the supply valve. Place the washer inside the coupling nut and screw onto the toilet water inlet. If necessary, slightly bend the supply line to reach the water inlet. Tighten all nuts securely.



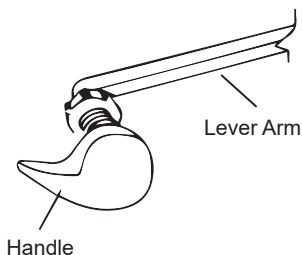
NOTE: Drawings may not exactly define contour of the product.

5



If the plastic tubing comes out of the overflow tube please connect the plastic tubing from the tip of the water inlet regulator into its holding ring inside the overflow tube. If necessary, excess may be trimmed to eliminate any leaks.

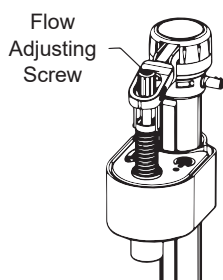
6



Remove the lever and nut from the parts bag. Insert the lever through the hole in the tank. Thread the nut onto the threaded shank. (Left handed levers will turn clockwise; Right handed levers turn counterclockwise.) Tighten the nut with a wrench until snug.

NOTE: Skip this step if the lever is already installed.

7



Turn on the supply valve and check for leaks. Flush the toilet and let the toilet complete one cycle. Adjust the water level as needed to ensure it reaches the water level line marked inside the toilet.
 Raise water level: Turn the flow adjusting screw clockwise.
 Lower water level: Turn the flow adjusting screw counterclockwise.

8

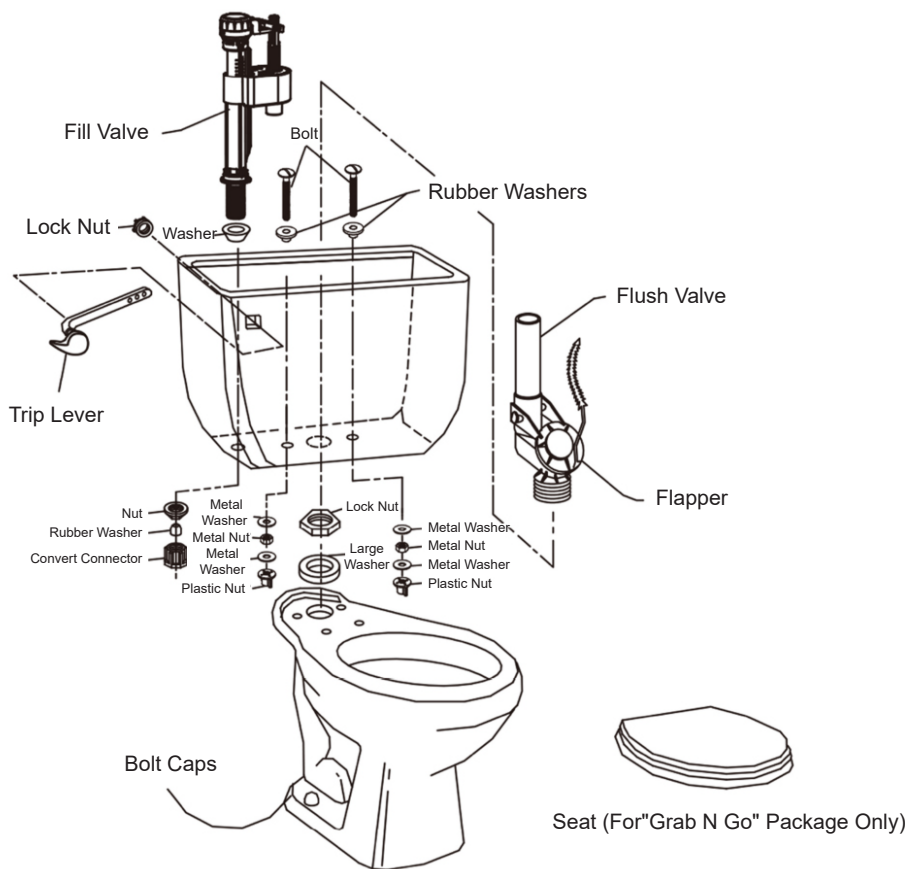
Place the cover on the tank. Install the toilet seat in accordance with the manufacturer's instructions.

NOTE: Drawings may not exactly define contour of the product.

9 Care and Cleaning of Vitreous China

Your new toilet is made of stain, acid and abrasion resistant vitreous china. But, like all fine finishes the china requires reasonable care. For day-to-day cleaning, wash with warm water, a soft cloth, and a mild detergent. On stubborn stains, use one of the powdered detergents, on a damp sponge or scouring pad of nylon, saran, or poly-ethylene. Never use abrasive scouring powders, cleansers, or pads as they tend to create microgrooves that dull the finish and allow dirt to work into the surface. Use of tank cleaning products containing calcium hypochlorite (chlorine) or any other reactive chemical shall constitute improper maintenance and may void the warranty.

10 Please keep this manual for future reference. Retain product invoice. Record the Model Number of the toilet in this booklet. This will assist when ordering replacement parts.



NOTE: Drawings may not exactly define contour of the product.

LIMITED WARRANTY COVERAGE

1 YEAR TOILET BOWL & TANK

We warrants its toilet bowl & Tank against fading/staining of the glaze as a result of a defect in materials and workmanship for a period of one (1) year from the purchase date. SCRATCHES ARE NOT COVERED UNDER WARRANTY.

1 YEAR TOILET SEAT ·1 YEAR FILL VALVE & FLUSH VALVE ·1 YEAR PLUMBING PARTS

We warrants factory installed plumbing parts and fittings, and electrical components to be free from defect in materials and workmanship for a period of one (1) year from the purchase date.

The manufacturer warrants this product to be free of manufacture defects during the above mentioned warranty time. Please keep a copy of the original invoice as proof of purchase.

We will, as its option,(1) repair or replace the defective part(s) or product(s) at no charge, (2) issue a refund of the original purchase price of the product(s) (Valid within 30 days from the date of purchase); or (3) issue a credit to be applied toward the purchase of a new product Shipping/delivery charges may apply and are at our sole discretion.

Our products must be installed by a fully insured and licensed plumber only. Installation of any our product by anyone other than fully insured and licensed plumber shall void limited warranty.

This limited warranty shall not apply to goods which have been subject to accident , negligence, improper installation, product abuse, product misuse, or use of cleaners containing abrasives , alcohol or other organic solvents, whether performed by a contractor, service company, or yourself, are excluded from this warranty.

Our responsibility under this limited warranty is limited to only to replacement parts and no other costs. We will not be responsible for labor charges and/or damage incurred by installation, repair or replacement, nor for any indirect incidental or consequential damages, losses,injury or costs of any nature relating to this product. Except as provided by law, this limited warranty is in lieu of and excludes all other warranties, conditions, and guarantees, whether expressed or implied, statutory or otherwise, including without restriction those merchantability of fitness for use.

RESPONSIBILITIES OF OTHERS

Inspecting the unit prior to installation is the responsibility of the installer or building contractor who acts on behalf of the user. They are responsible for ensuring the unit is free of defect or damage. Notices are placed on and in the unit and on the shipping carton advising the installer of this responsibility. In the event of a problem, the unit must not be installed. We are not responsible for failures or damage that could have been discovered, repaired, or avoided by proper inspection and testing prior to installation.

Damage occurring in transit is the responsibility of the carrier. The user or installer MUST open the crate and inspect the unit for damage when it is delivered. If damage is discovered, it must be reported immediately to the seller and the carrier in writing, and an inspection requested. Failure of the carrier to respond should be reported to the seller and the carrier. Your freight claims should be filed promptly thereafter.

LIMITATIONS AND EXCLUSIONS

This warranty does not cover any claim arising from abuse, misuse, negligence, accident, improper installation, or operations on the part of the purchaser. This warranty is void if the product is subject to alteration, or if repairs are attempted by anyone other than an authorized agent of ours. This warranty does not extend to plumbing or components installed by dealers, installers, or by any party other than us.

We will not be liable for loss of use of the product inconvenience, or any other incidental or consequential costs, expense or damages. Please note that some states do not allow the exclusion or limitation of incidental damages.

DISCLAIMER

Except as expressly provided, there shall be no warranty or obligation, express or implied, oral or statutory. No dealer or other person has the authority to make any warranties or representations concerning our company or its products. In no event shall we be held responsible for any such warranties or representations.

WARRANTY SERVICE

NOTE: When requesting warranty, be sure to have the following:

- Copy of original invoice
- Date of installation
- Description and pictures of defect
- Model number or description of model

To obtain warranty service and replacement part, please contact our Customer Service. We will determine whether to repair or replace your product, issue a refund, or issue a credit.