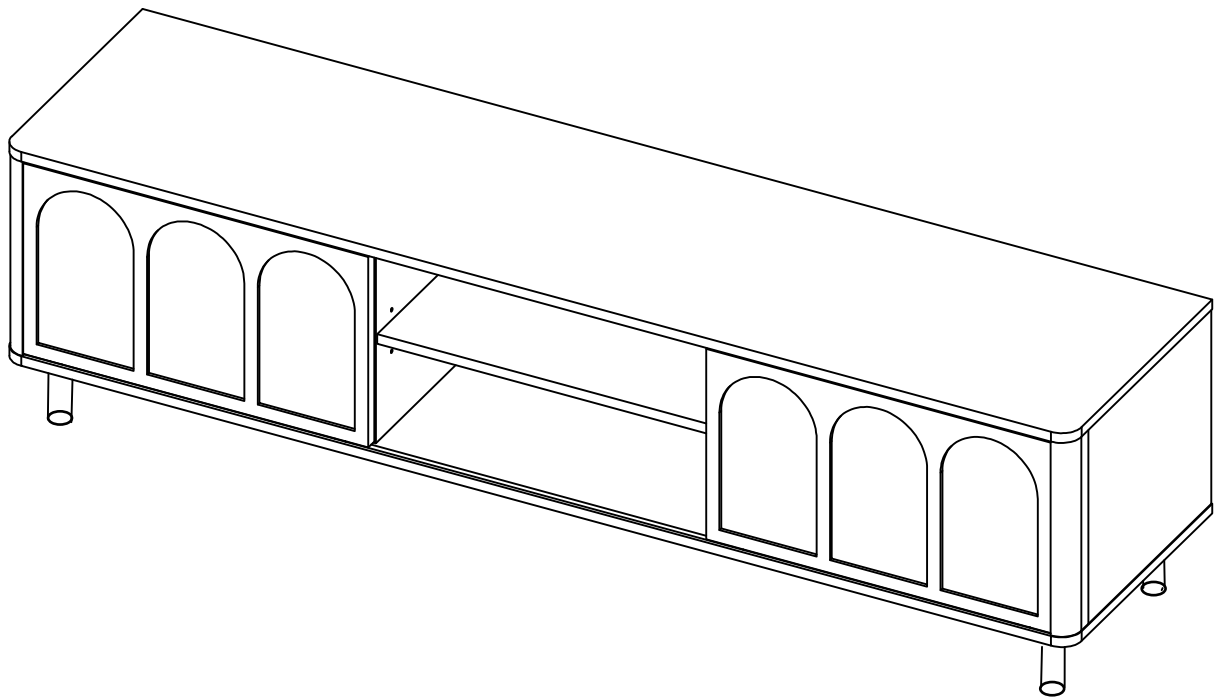


Installation instruction



Assembling

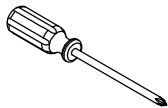
Estimated time for assembly



45 : 00

What you need

- Use the packaging carton as a working surface to prevent product damage during assembly
- Phillips head screwdriver



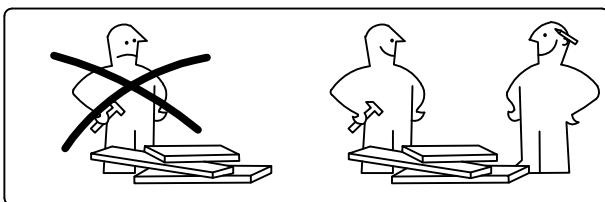
Weight Limitation



100 | **35**
lbs table top lbs per

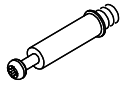
What' included

Code	Description	Qty
A	Cam Bolt M6X35MM	8
B	Cam Lock 15X12MM	8
C	Wooden Dowel M8X30MM	20
D	Screw M3.5X14MM	32
E	Screw M4X35MM	8
F	Shelf Holder	4
G	Door latch	4
H	Guide wheel	4
I	Iron gasket	6
J	Adjustable foot pads	2
K	MATS	4
L	Hole Stickers	12



The Hardware

A x 8



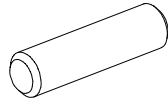
Ø6×35 mm

B x 8



Ø15×12 mm

C x 20



Ø8×30 mm

D x 32



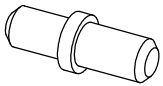
Ø3.5×14 mm

E x 8

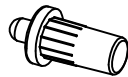


Ø4×35 mm

F x 4



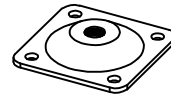
G x 4



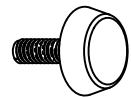
H x 4



I x 6



Jx2



Kx 4



Lx 12



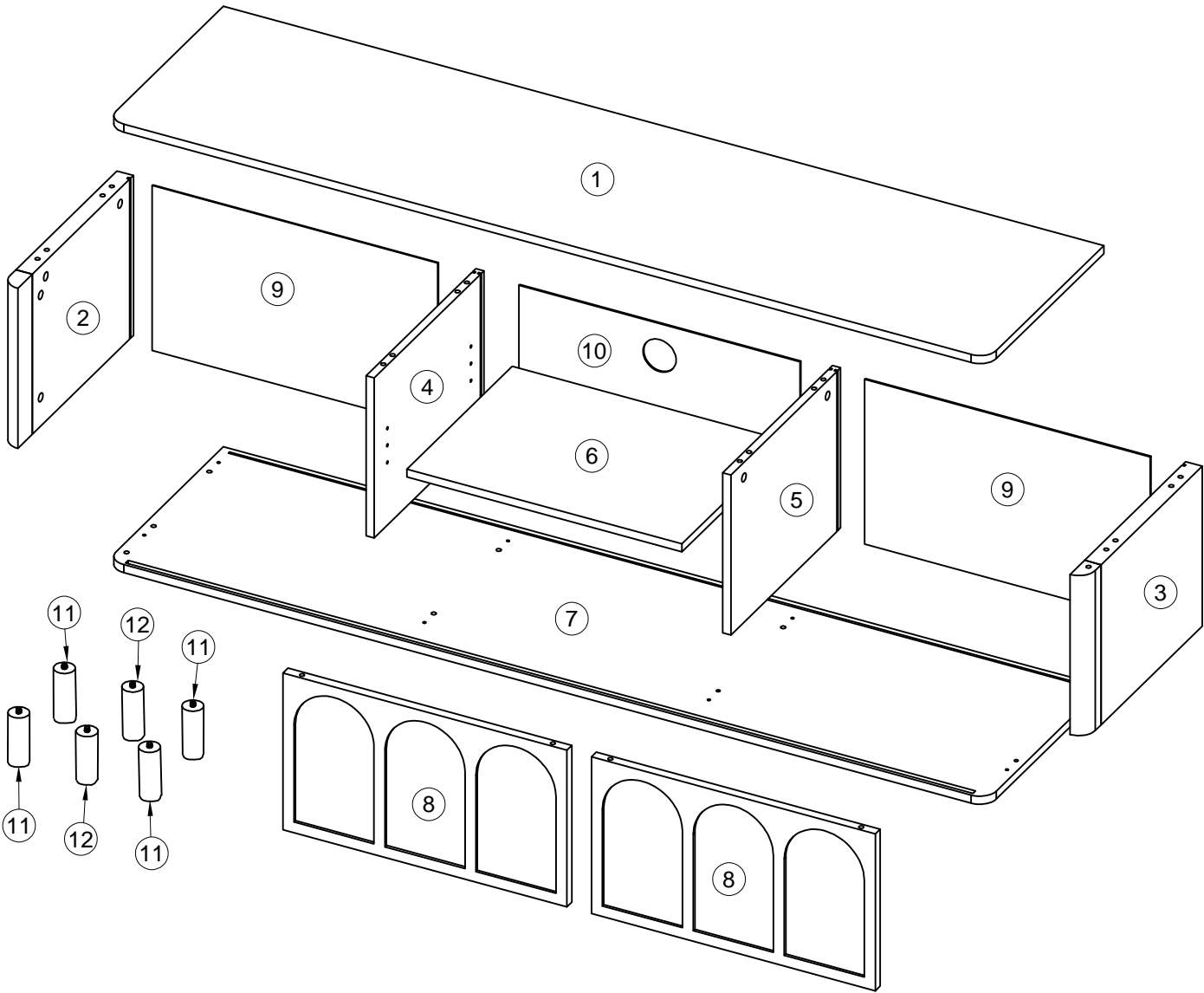
IMPORTANT:

1. Do not tighten bolts / screws completely until all bolts / screws are lined up and inserted into holes.
2. Do not over tighten screws and bolts to avoid stripping
3. Please use hand tools to assemble this product. Do not use power tools.




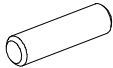

Included Accessories

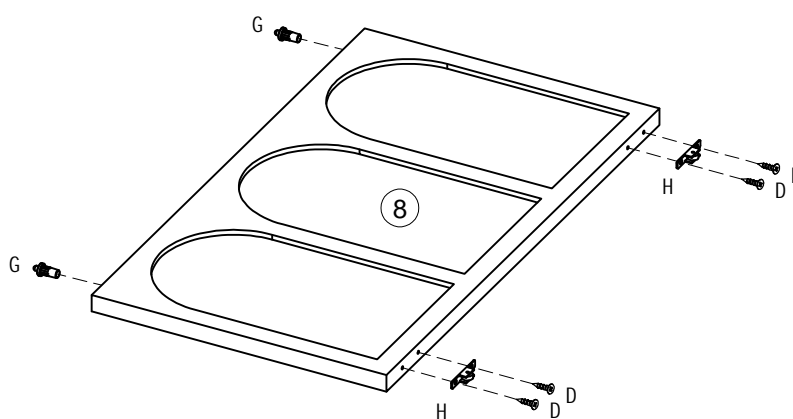
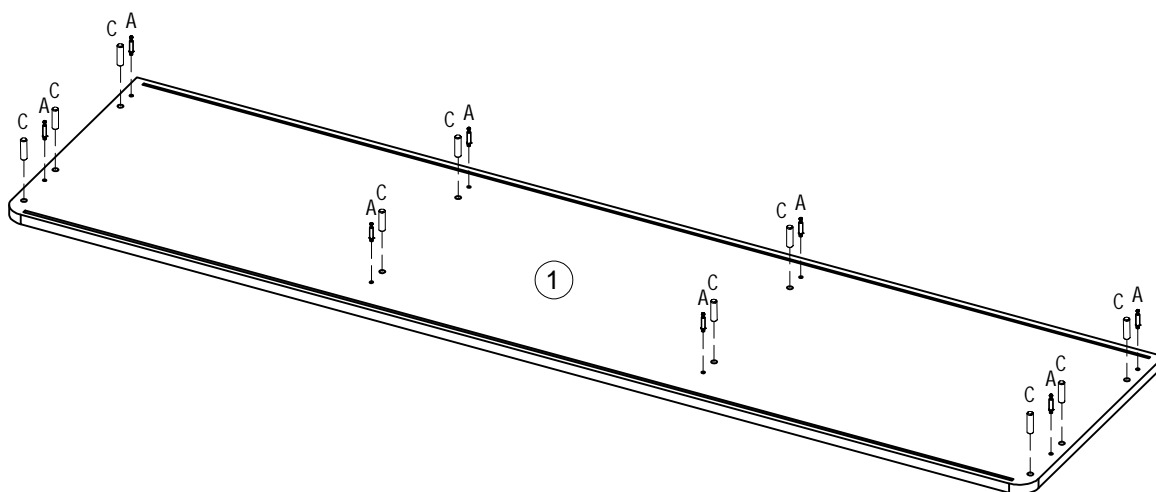
Code	Description	Qty
1	Cabinet panel	1
2	Left side panel	1
3	Right side panel	1
4	Left middle plate	1
5	Right middle plate	1
6	Movable pressure plate	1
7	Bottom plate	1
8	Door plank	2
9	Left and right Backboard	2
10	Middle Backboard	1
11	Wooden supporting foot	4
12	Middle Wooden supporting foot	2

The Accessoriess




Step 1

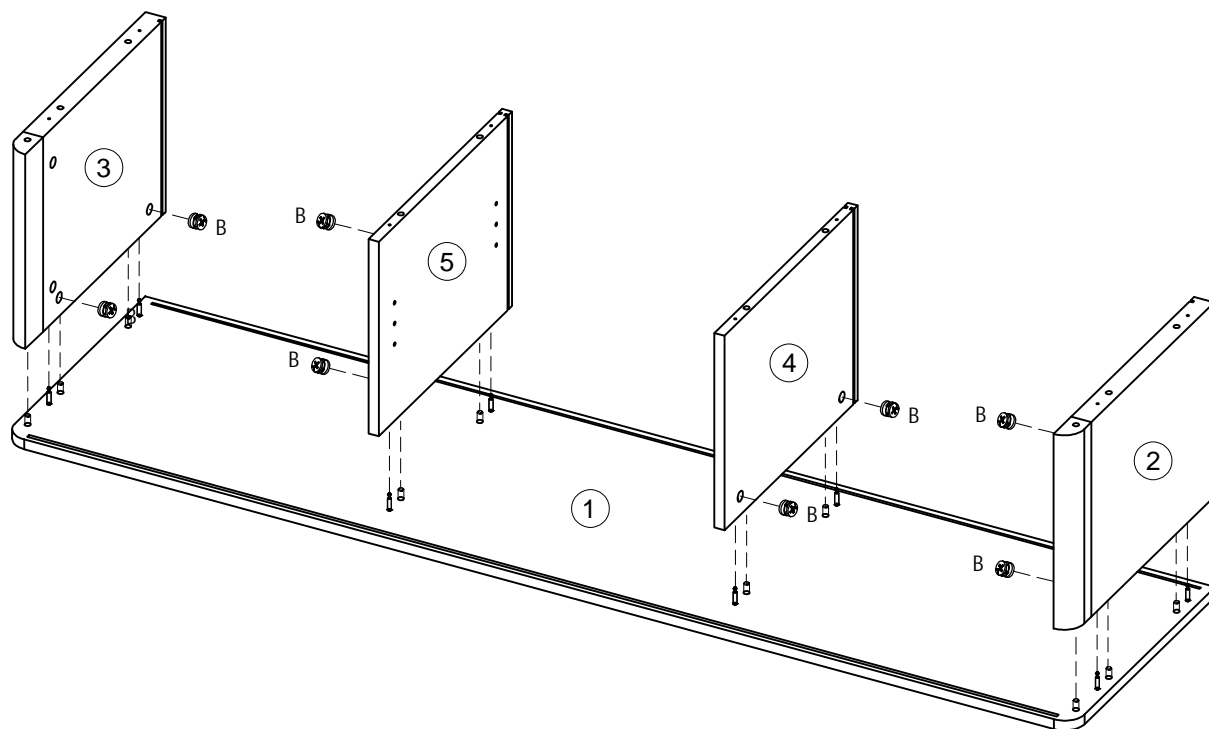
G	x 4	H	x 4	D	x 8	C	x 10	A	x 8
				 Ø3.5×14 mm		 Ø8×30 mm		 Ø6×35 mm	



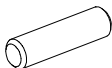
× 2

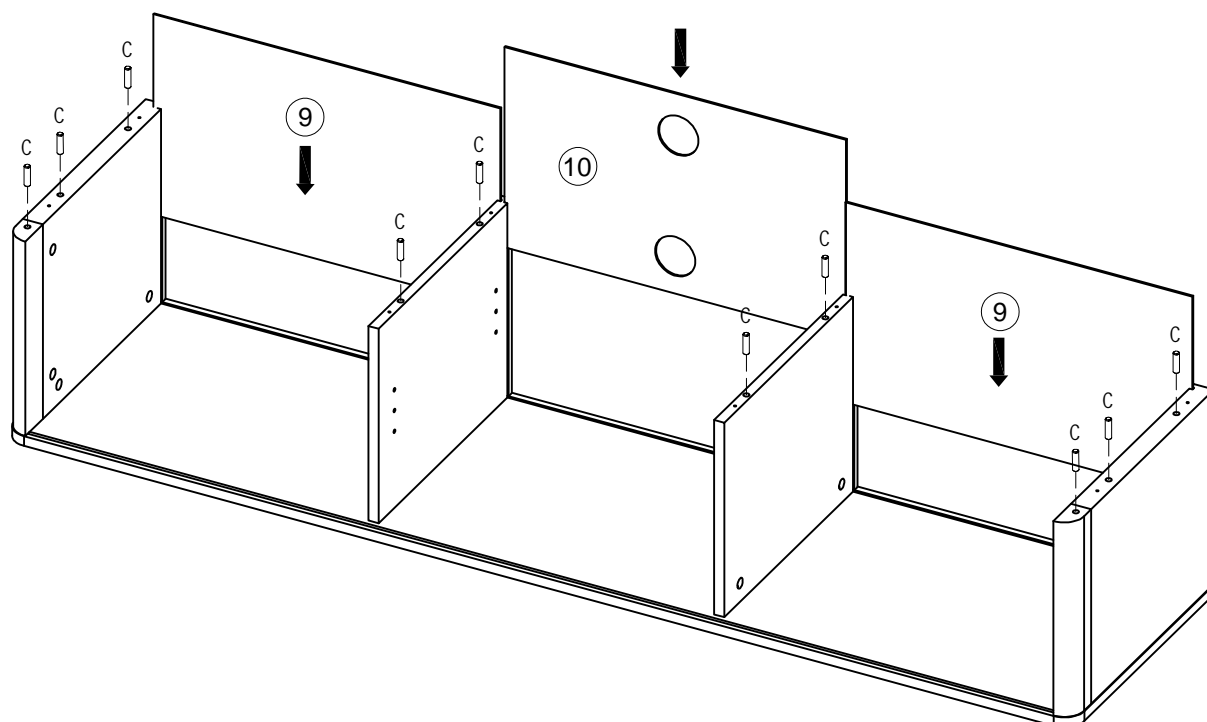
Step 2

B	x 8
	
Ø15×12 mm	





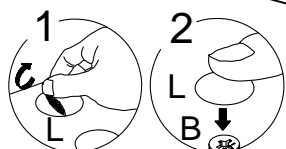
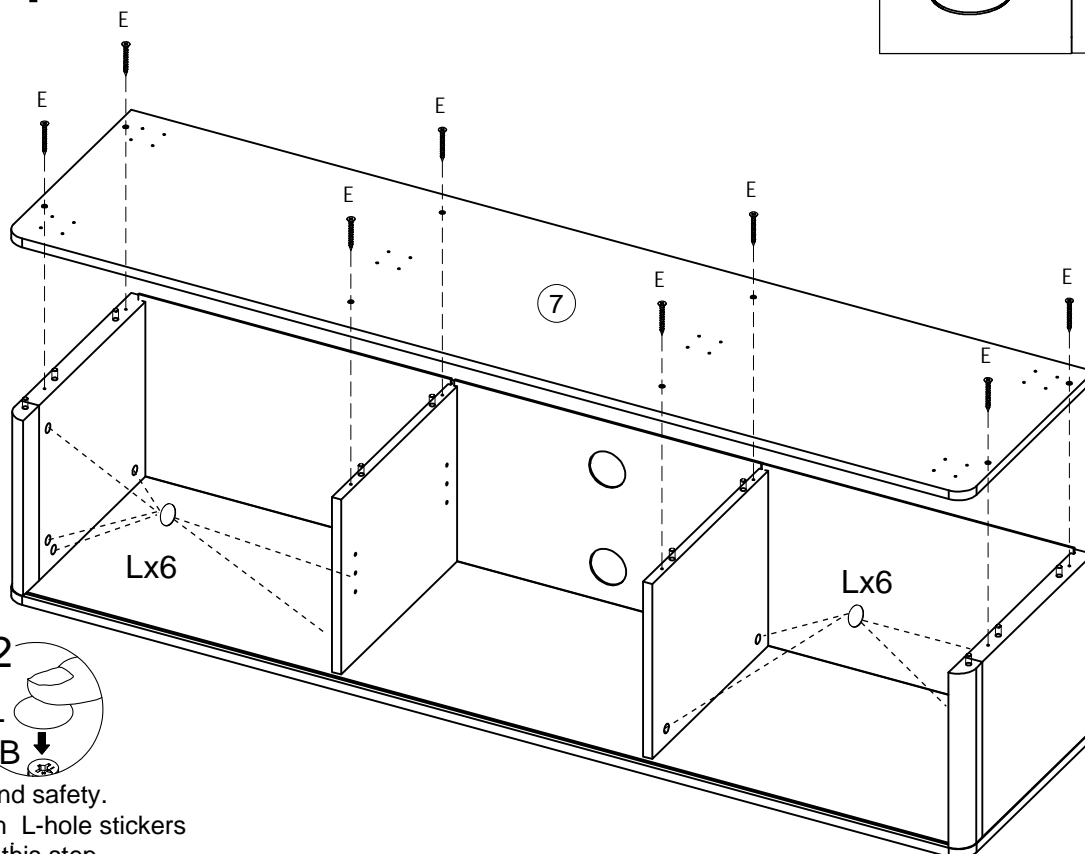
Step 3

C	x 10
	
Ø8×30 mm	





Step 4

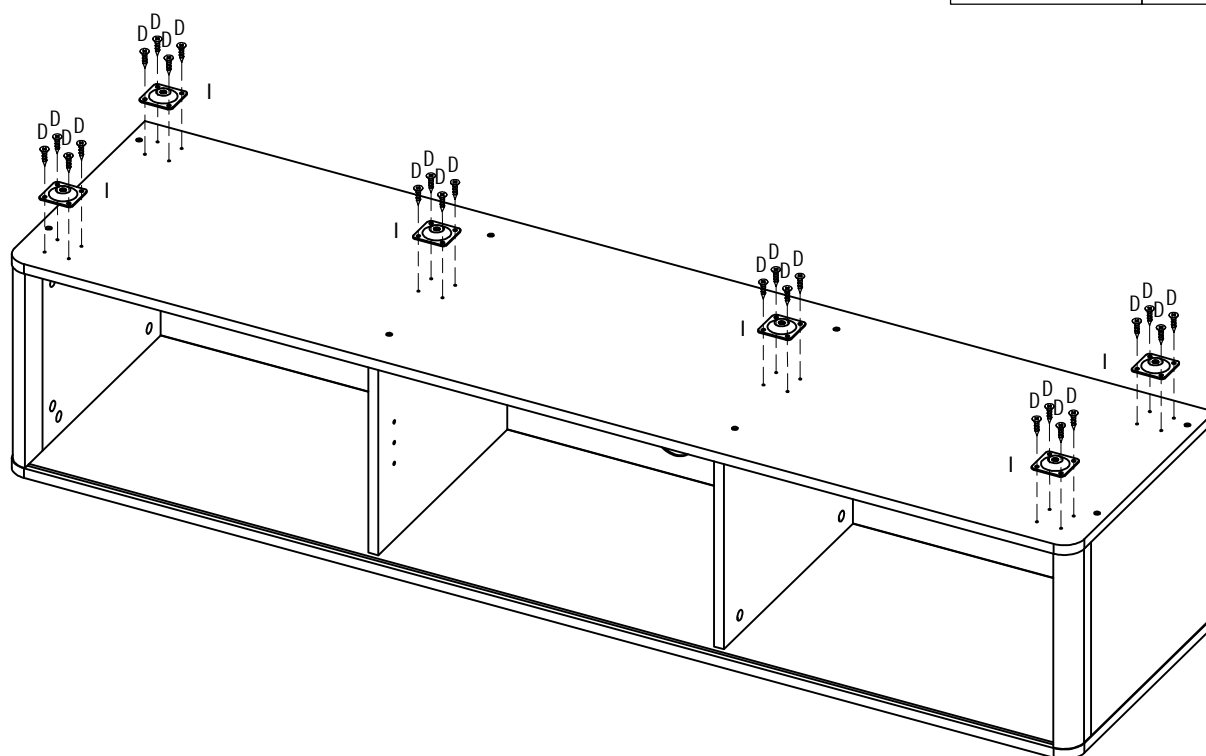
L	x 12	E	x 8
		 Ø4×35 mm	



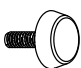

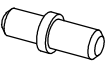
For beauty and safety.
Please attach L-hole stickers
at the end of this step.

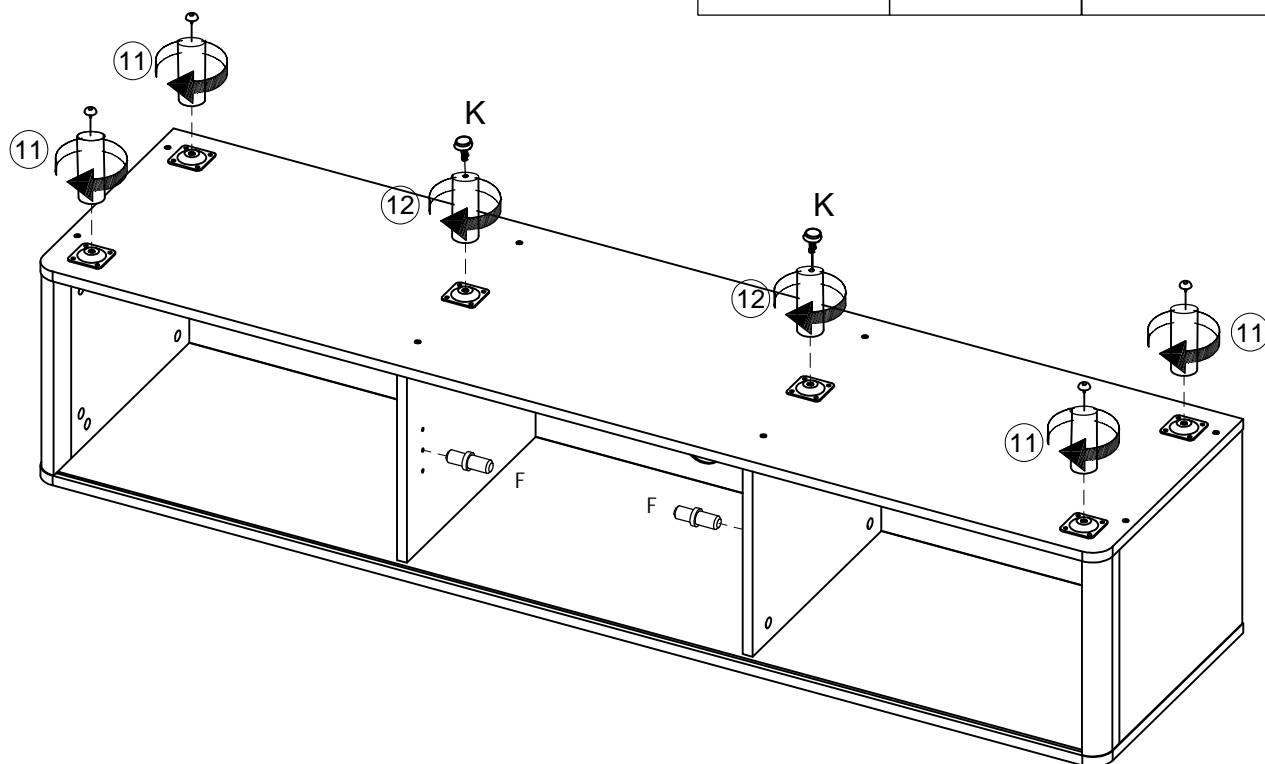
Step 5

I	x 6	D	x 24
		 Ø3.5×14 mm	

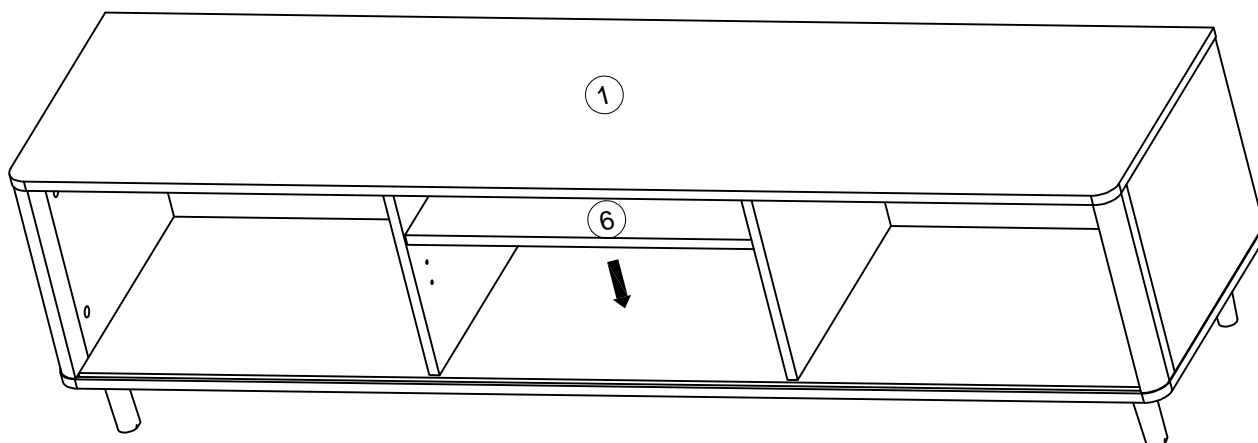


Step 6

K	x 2	K	x 4	F	x 4
					

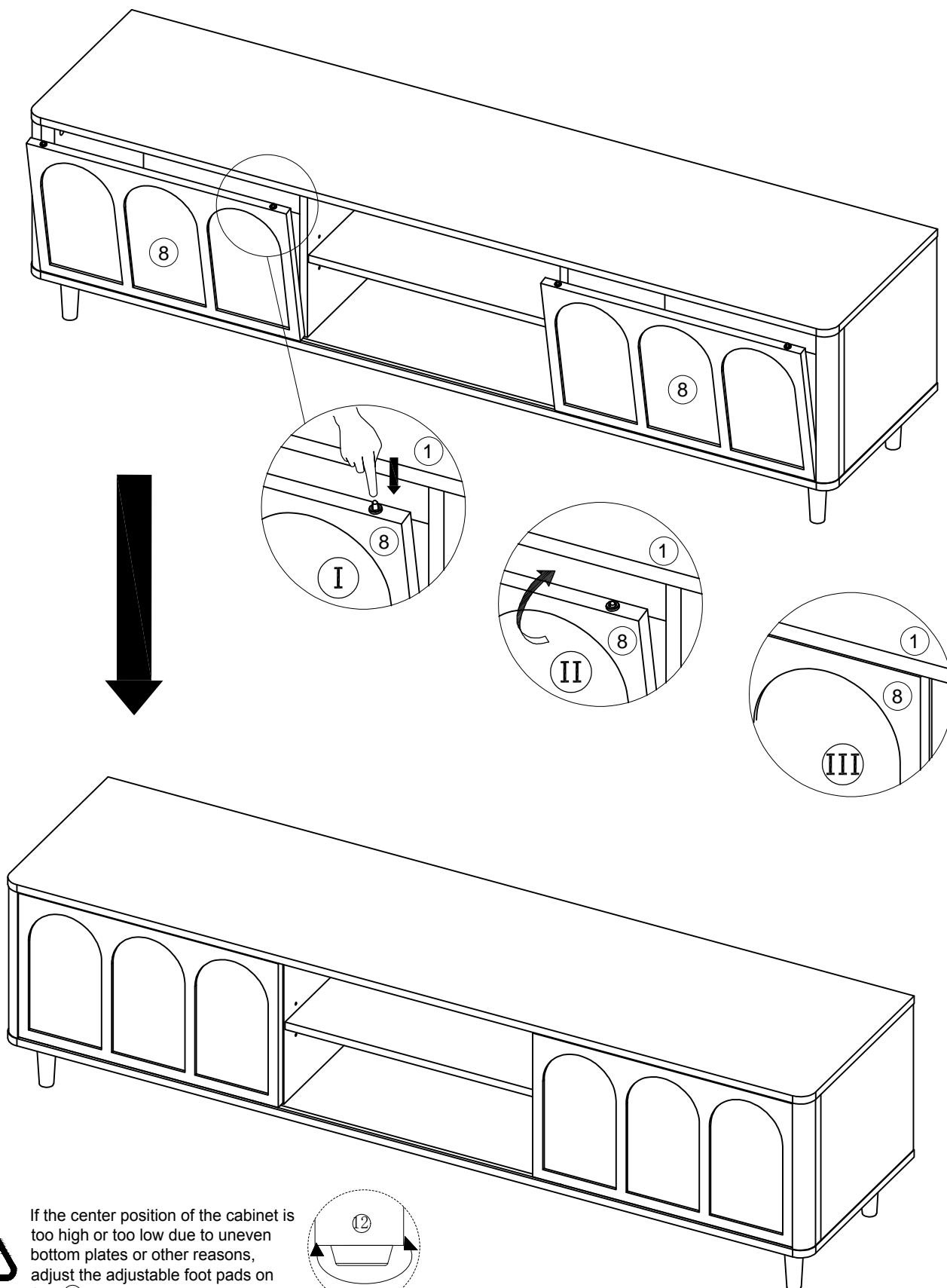


Step 7



Two people work together to move the table.
Make sure you lift it off the ground.
Don't push and pull.

Step 8



If the center position of the cabinet is too high or too low due to uneven bottom plates or other reasons, adjust the adjustable foot pads on feet 12 to adjust the upper and lower height

