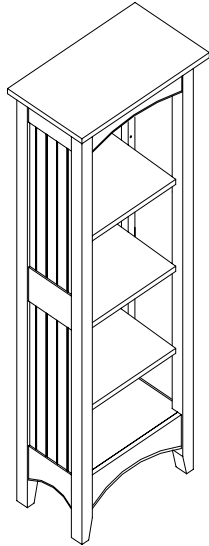




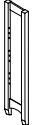

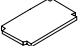
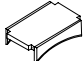
Tall Bookcase




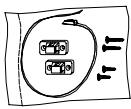


Thank you for purchasing our Tall Bookcase. We have found it helpful to have a second person present in at least one step of the assembly.

Tall Bookcase Assembly Instructions

Lay out all parts on a "non-abrasive" surface to avoid scratching furniture.

NO.	DRAWING	DESCRIPTION	Q'TY
A		Top Unit	1
B		Left Assembly	1
C		Right Assembly	1
D		Back Panel	1
E		Shelf	3
F		Bottom	1

NO.	DRAWING	DESCRIPTION	Q'TY
G		Shelf Support	12
H		Hex Bolt	8
I		Allen Wrench	1
J		Anti-Tip Bag	1

PARTS

Step 1

Read through these instructions thoroughly before beginning assembly. We have found this to be of great value when first assembling this product.

Step 2

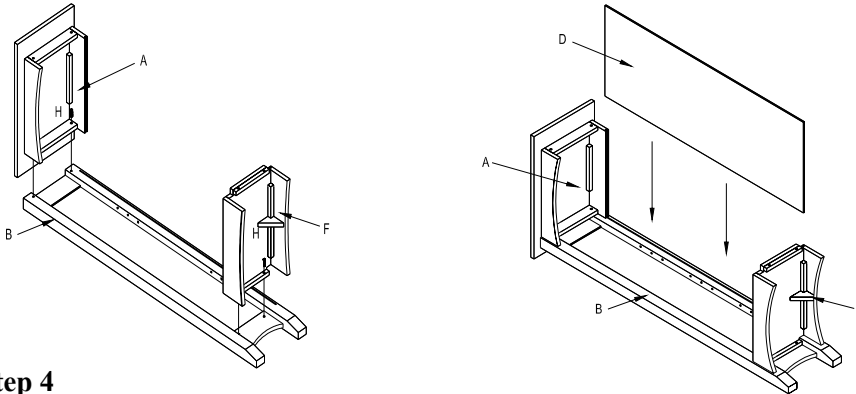
Remove all parts and hardware from packing material. Wooden pieces should be placed on a non abrasive surface (like the carton or carpet) to prevent damage to the finish.

Step 3

Lay Left Assembly (B) on side and attach Top Unit (A) and Bottom (F) using 4 Hex Bolts (H).

Note: It will help to have a second person at this time to assist in assembly.

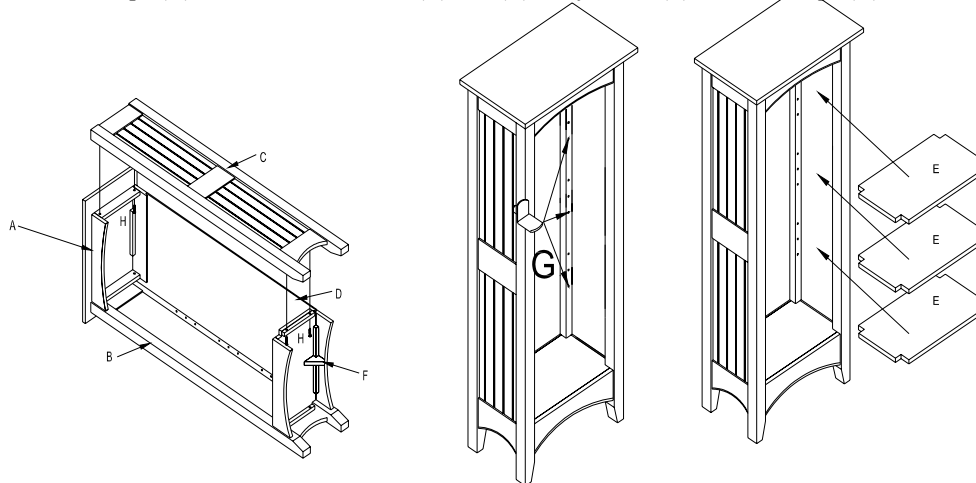
Slide Back Panel (D) into grooves in Top Unit (A) and Bottom (F) and Left Assembly (B).



Step 4

Attach Right Assembly (C) using 4 Hex Bolts (H) and sliding Back Panel (D) into slot.

Insert shelf clips (G) into Side Assemblies (B) and (C). Lay shelves (E) on Shelf Clips (G).



CARE

Clean with mild soap and wipe dry.

REPLACEMENT PARTS

Please do not contact the company you purchased from as we can help you faster.