
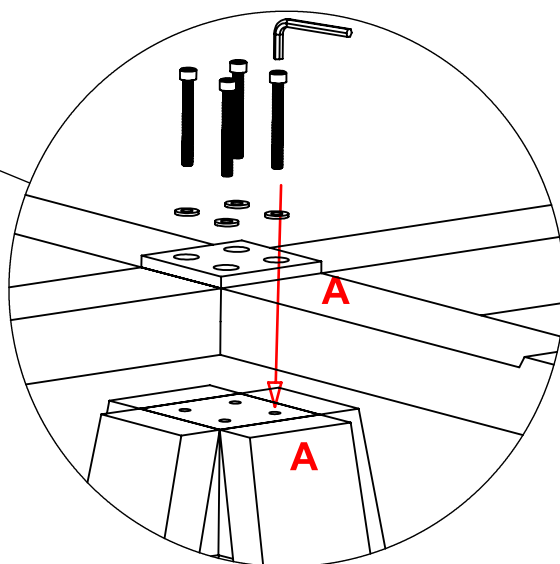
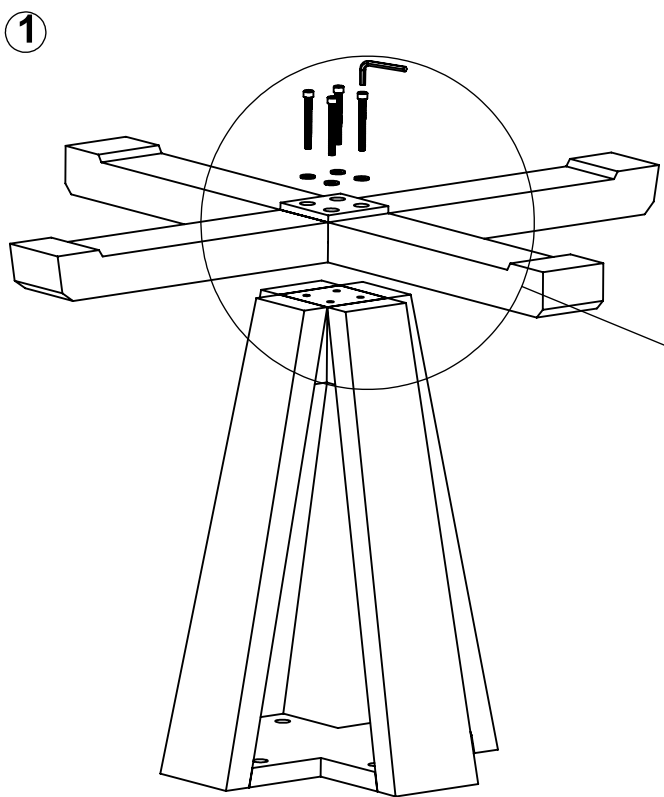
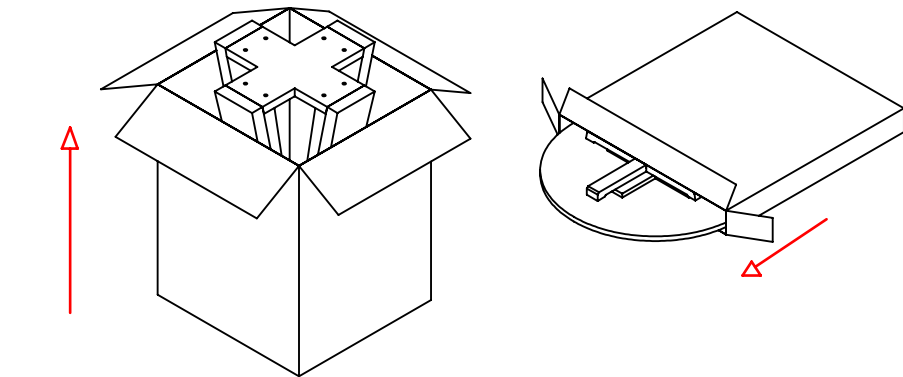
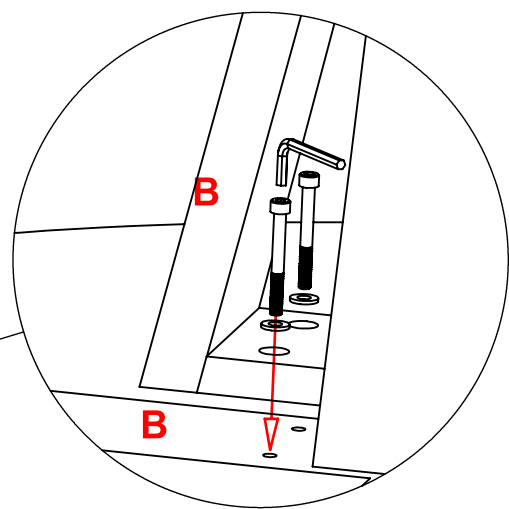
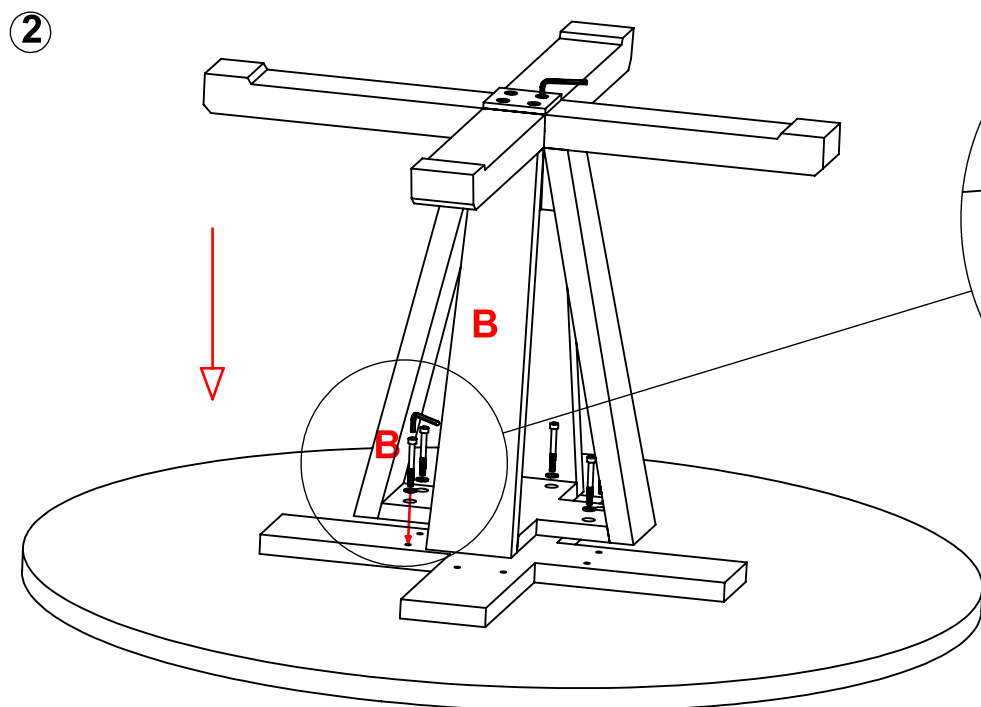


# DINING TABLE

	PART	QTY.
	leg	1
	TOP	1
	STRETCHER	1
	WASHER	12
	ALLEN BOLT (M8X50)	8
	ALLEN BOLT	4
	ALLEN KEY	1



DETAIL C



DETAIL D