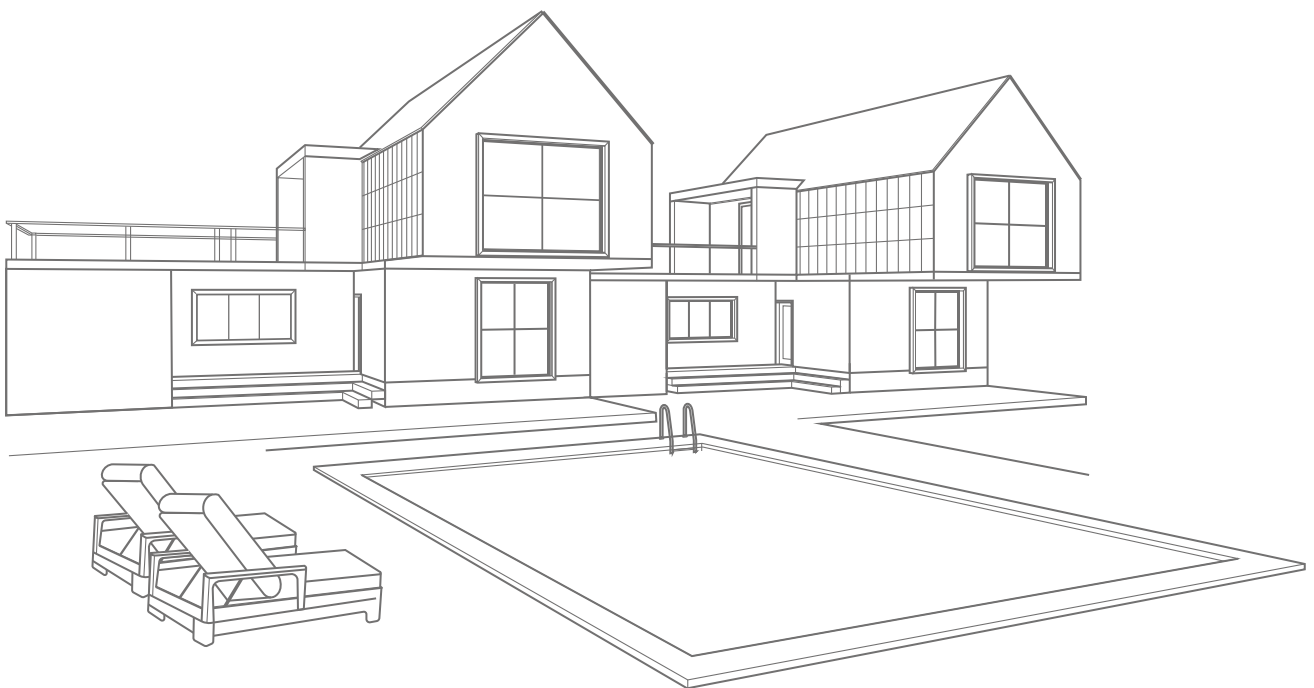


20X30FT Carport

Product ID. 7AUPU



Scan for Support

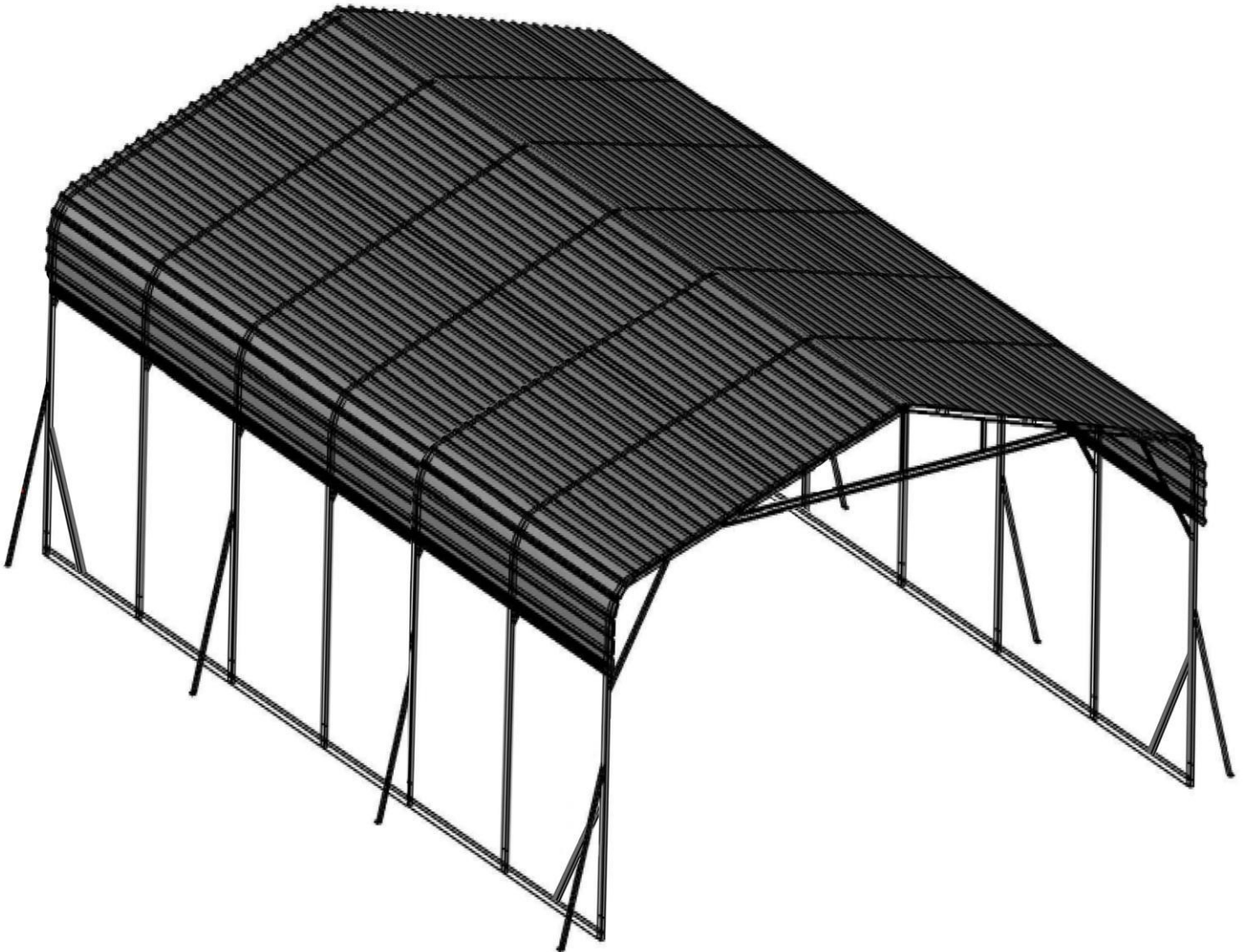


Distributed by
GARVEE.com

support@garvee.com

20X30 FT Carport

Instructions for Assembly

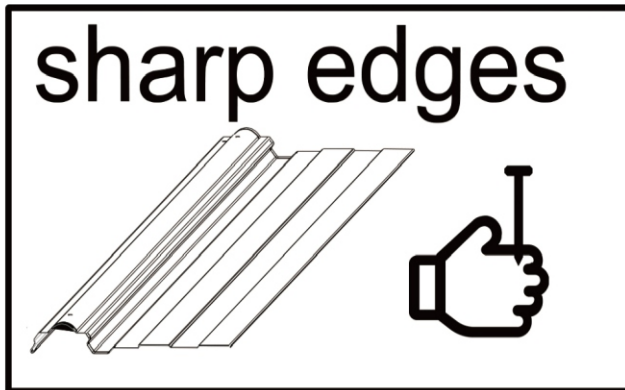


Minimum of 3 People is required for a safe assembly of the product

You will receive six separate boxes for this product to be fully assembled. Please make sure all boxes arrived in good condition before assembling. It happens sometimes when boxes arrive separately due to postponed carrier's shipping, and your patience is really appreciated!

SAFETY PRECAUTIONS...

Safety precautions MUST be followed at all times throughout the construction of your building!



When working with your building's parts, which may have sharp edges, always wear work gloves and eye protection, and put on long sleeves. This helps prevent cuts and injuries during assembly or maintenance.



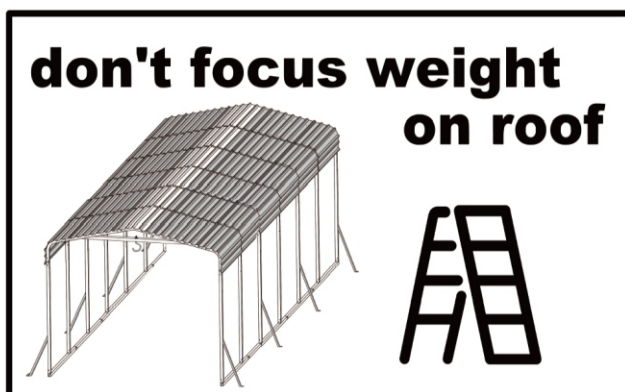
Exercise caution when using tools during assembly. It's particularly important to be well-versed in the use of any power tools involved in the process.



Ensure that children and pets are kept at a safe distance from the construction area until the building is fully assembled. This precaution minimizes distractions and reduces the risk of accidents.



Wind Advisory:
Avoid assembling your building on a windy day. Large panels can act like sails in the wind, making them hard to control and posing safety risks during construction.



Roof Safety Warning:
Never put your full weight on the building's roof. Always ensure that a step ladder is fully extended and placed on level ground before climbing it.

Complete Check:
Before starting assembly, verify that you have all the parts and hardware listed. A partially assembled building can be vulnerable to damage, even from mild winds.

ASSEMBLY TIPS & TOOLS

Weather Awareness:

Choose a clear and calm day for your installation. Avoid building assembly on windy days, and be cautious if the ground is wet or muddy.

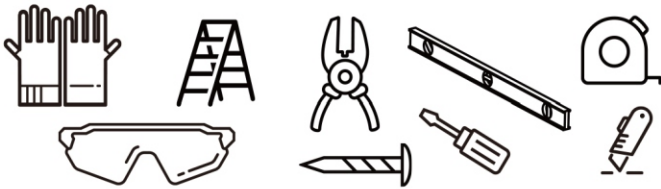
Team Effort Required:

Assembling your building is a three-person job at minimum. One can hold parts or panels in place, while the other secures them and manages the tools, ensuring a quicker and safer assembly process.

Gathering Your Tools and Supplies:

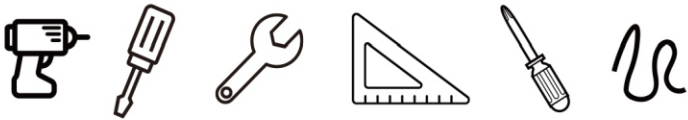
Prepare by listing the basic tools and materials necessary for assembly. Your choice of anchoring method and base type will determine the complete list of materials required.

WHAT YOU NEED



- Work Gloves
- Safety Glasses
- Step Ladder
- No. 2 Phillips Screwdriver (Magnetic Tip Preferred)
- Utility Knife or Scissors
- Pliers
- Carpenter's Level
- Tape Measure

RECOMMENDED TIME SAVERS



- Power Drill (Cordless, Variable Speed)
- Nut Driver or Wrench
- Square
- String (for squaring the frame)
- Awl (to align holes)

BASE PREPARATION TOOLS



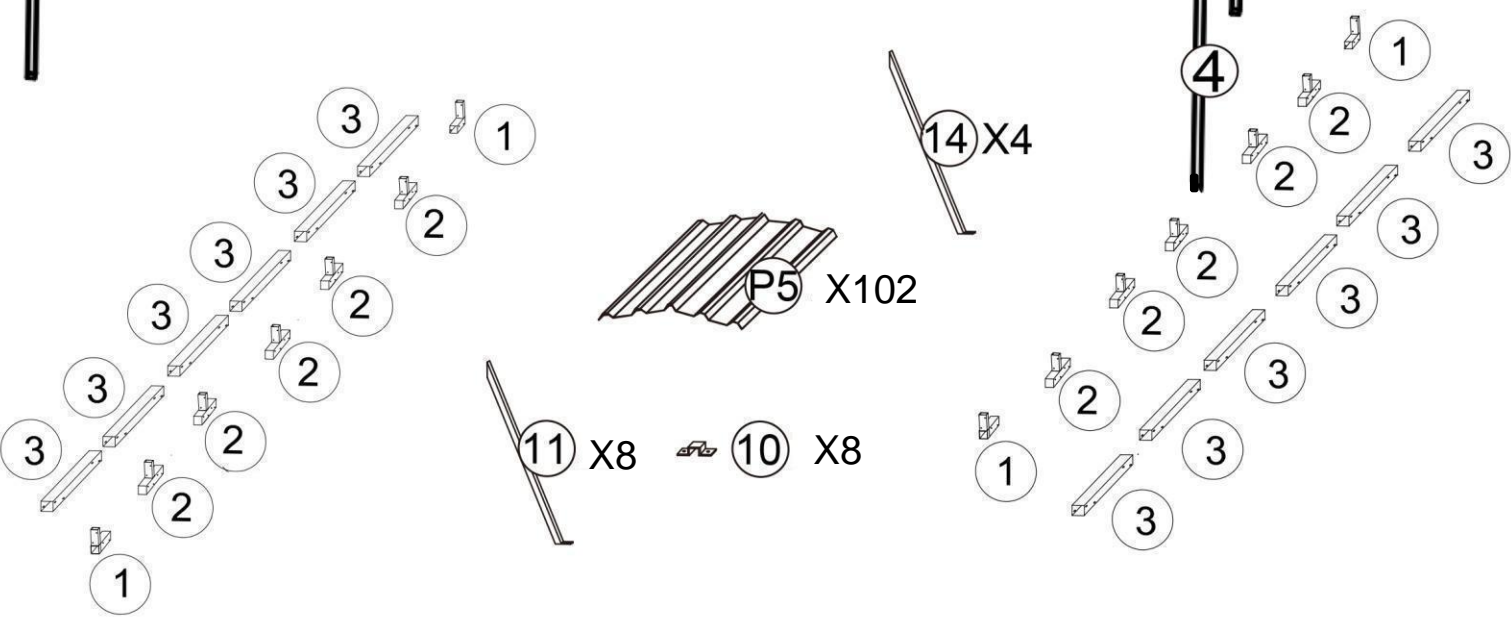
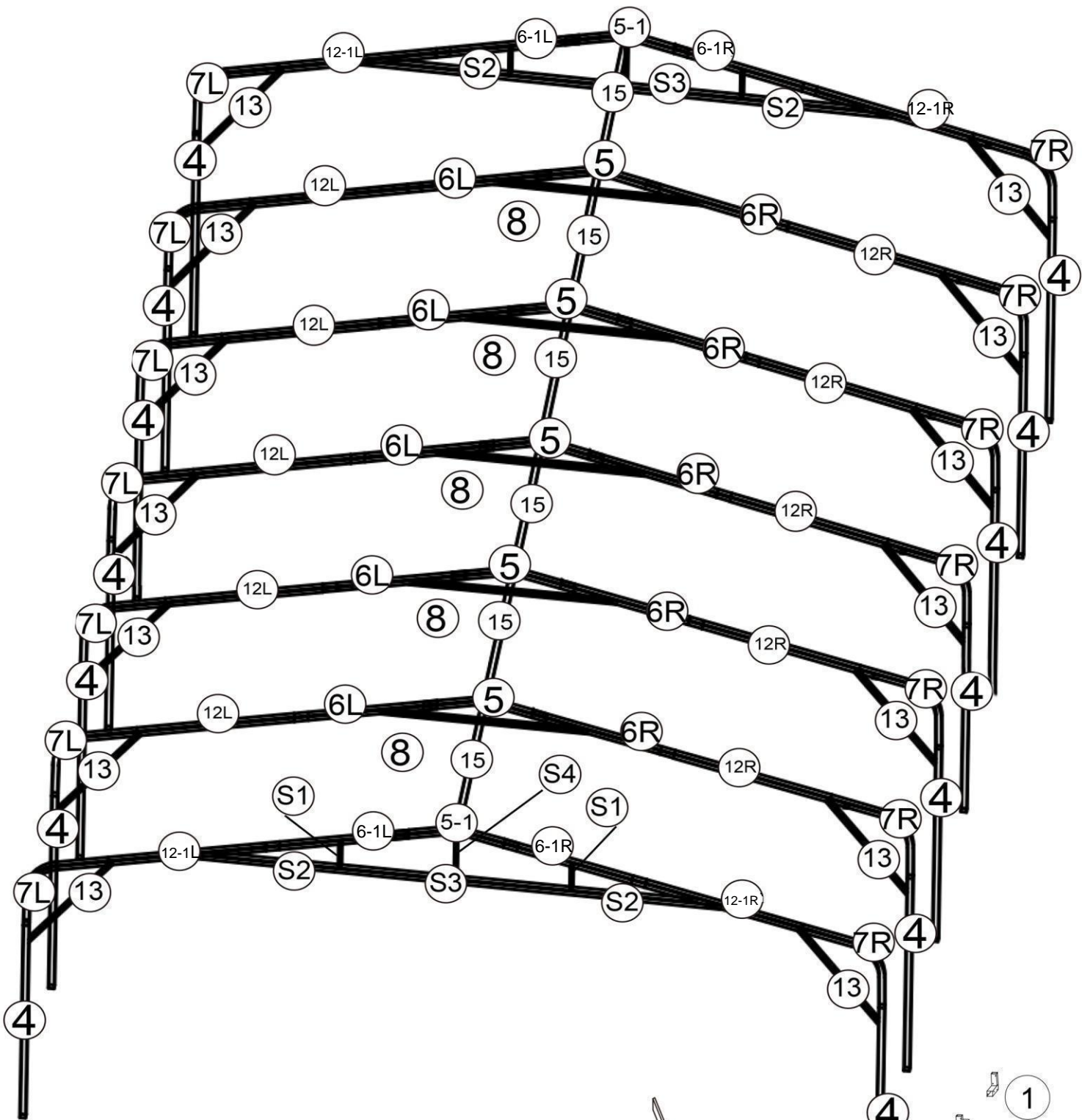
- Lumber and/or Concrete
 - Hammer and Nails
 - Spade or Shovel
 - Hand Saw or Power Saw
-

Choosing and Preparing Your Site:

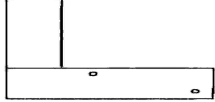

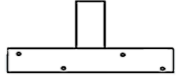



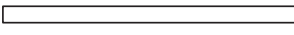



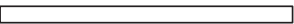


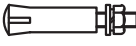



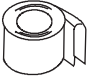





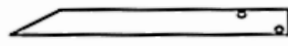
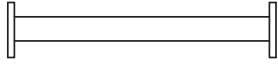

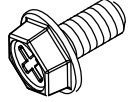

Select an ideal spot for your building before assembly begins. Opt for a level area with effective drainage.

Ensure ample space around the construction area for easy movement and assembly of parts. Check that there's sufficient clearance at the entrance for doors to open fully. Additionally, you'll need enough external space around the building for attaching panel screws from the outside.






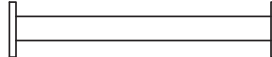




Prior to starting the assembly of any parts, make sure your base is in place and the anchoring system is set up and ready for action.



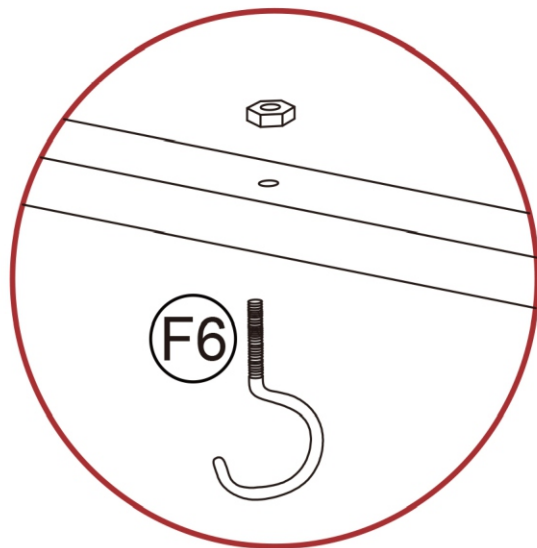
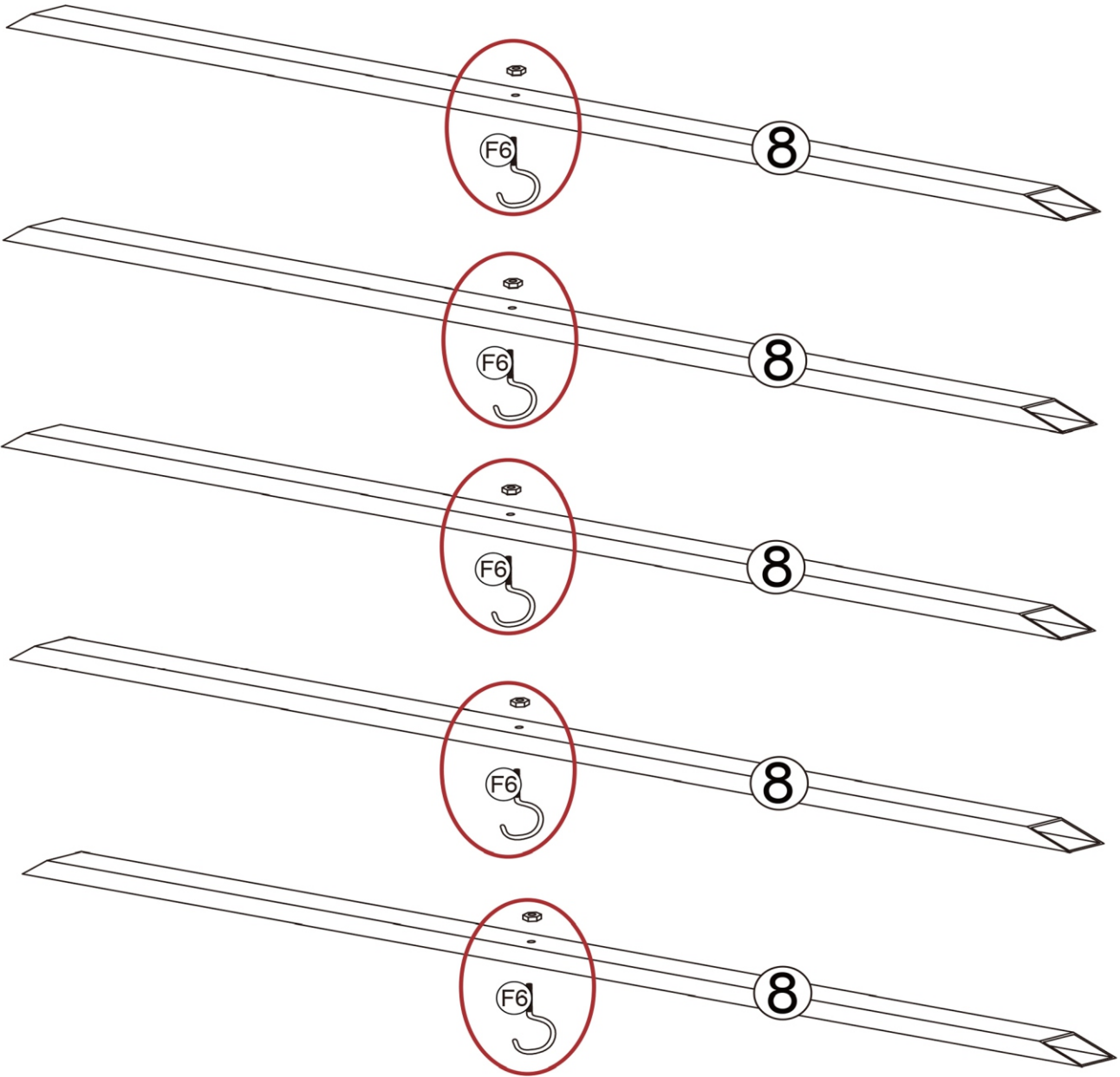
Hardware List

IMAGE	NO.	QTY	IMAGE	NO.	QTY
	1	X4		10	X8
	2	X10		11	X8
	3	X12		P5	X102
	4	X14		F3	X865
	5	X5		F4	X1
	6L	X5		F6	X5
	6R	X5		F8	X24
	7L	X7		F9	X2
	7R	X7		F5	X2
	6-1L	X2		adhesive tape	X2
	6-1R	X2		S1	X4
	8	X5		S2	X4
	9	X12		S3	X2
	F10	X30		S4	X2

Hardware List

IMAGE	NO.	QTY	IMAGE	NO.	QTY
	12L	X5		13	X14
	12R	X5		14	X4
	12-1L	X2		15	X6
	12-1R	X2		F11	X4
	5-1	X2		F12	X28

Step 1



Check the package contents before getting started !

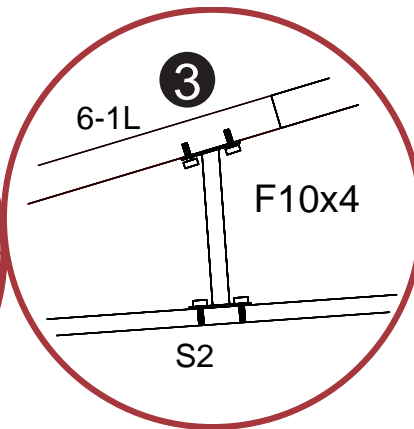
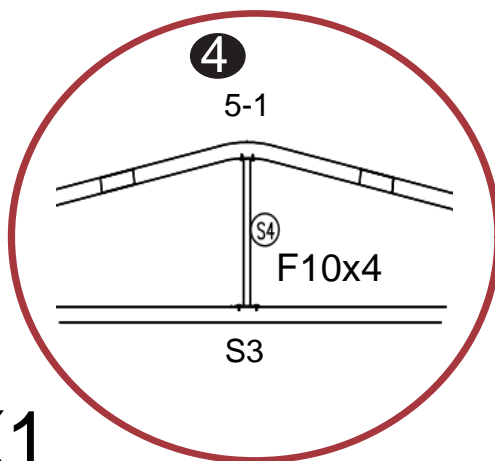
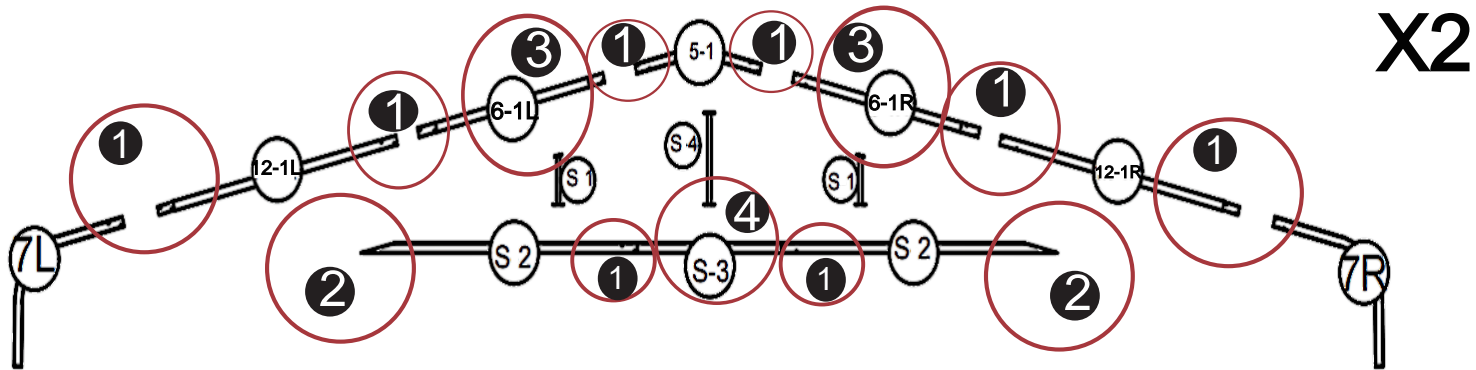
Step 2

Note: There is a hole position on both 12-1L and 12-1R for connecting Part S2 . Do not install the pipe in the reverse direction.

Note: The direction of the 6-1L and 6-1R fittings with two empty spaces facing downwards is used to connect the S1 support rod.

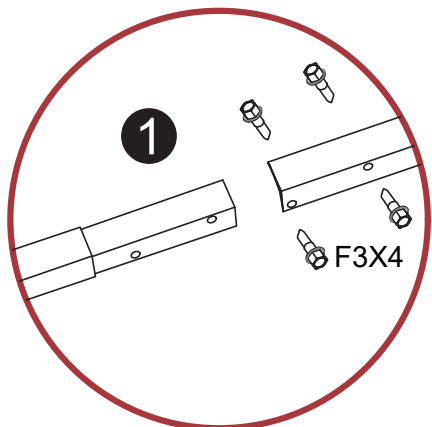
Note: There are two hole positions on the bottom of both 7L and 7R for connecting Part 9. Do not install them in the reverse direction.

Schematic diagram of the installation of the first and last gear carport

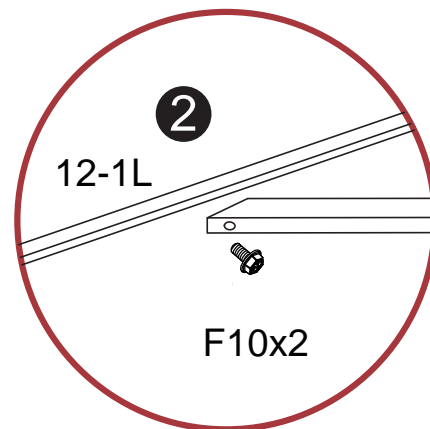


X1

X2



X5



X2

F10		x28
-----	---	-----

F3		x64
----	---	-----

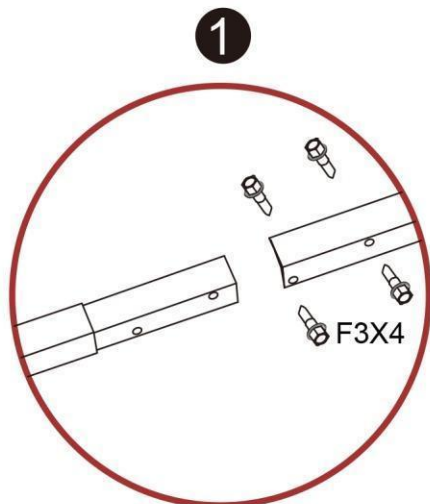
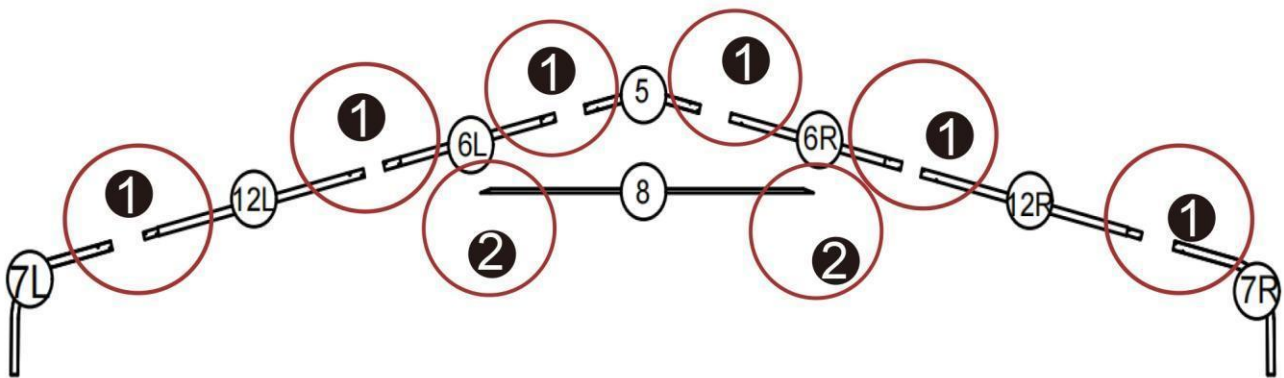
Step 3

Note: There is a hole position on both 6L and 6R for connecting Part 8. Do not install the pipe in the reverse direction.

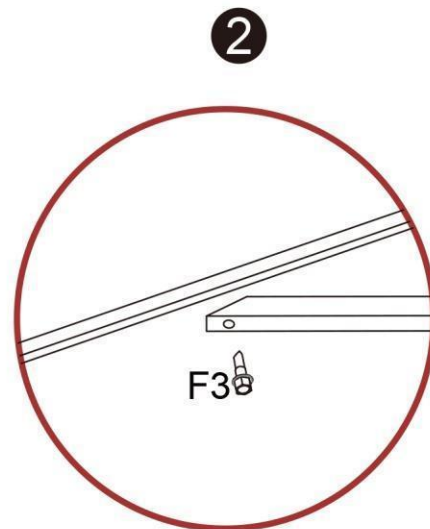
Note: There are two hole positions on the bottom of both 7L and 7R for connecting Part 9. Do not install them in the reverse direction.

X5


Schematic diagram of the installation of the middle three-gear carport



X6



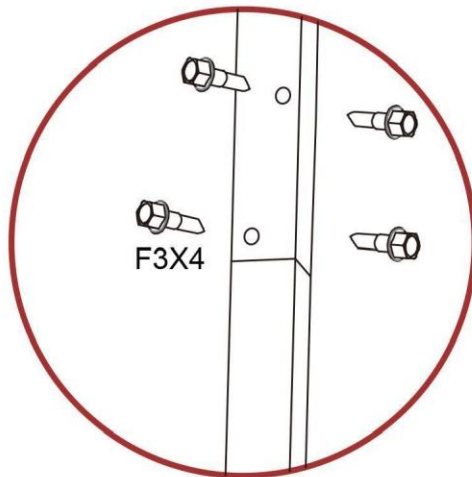
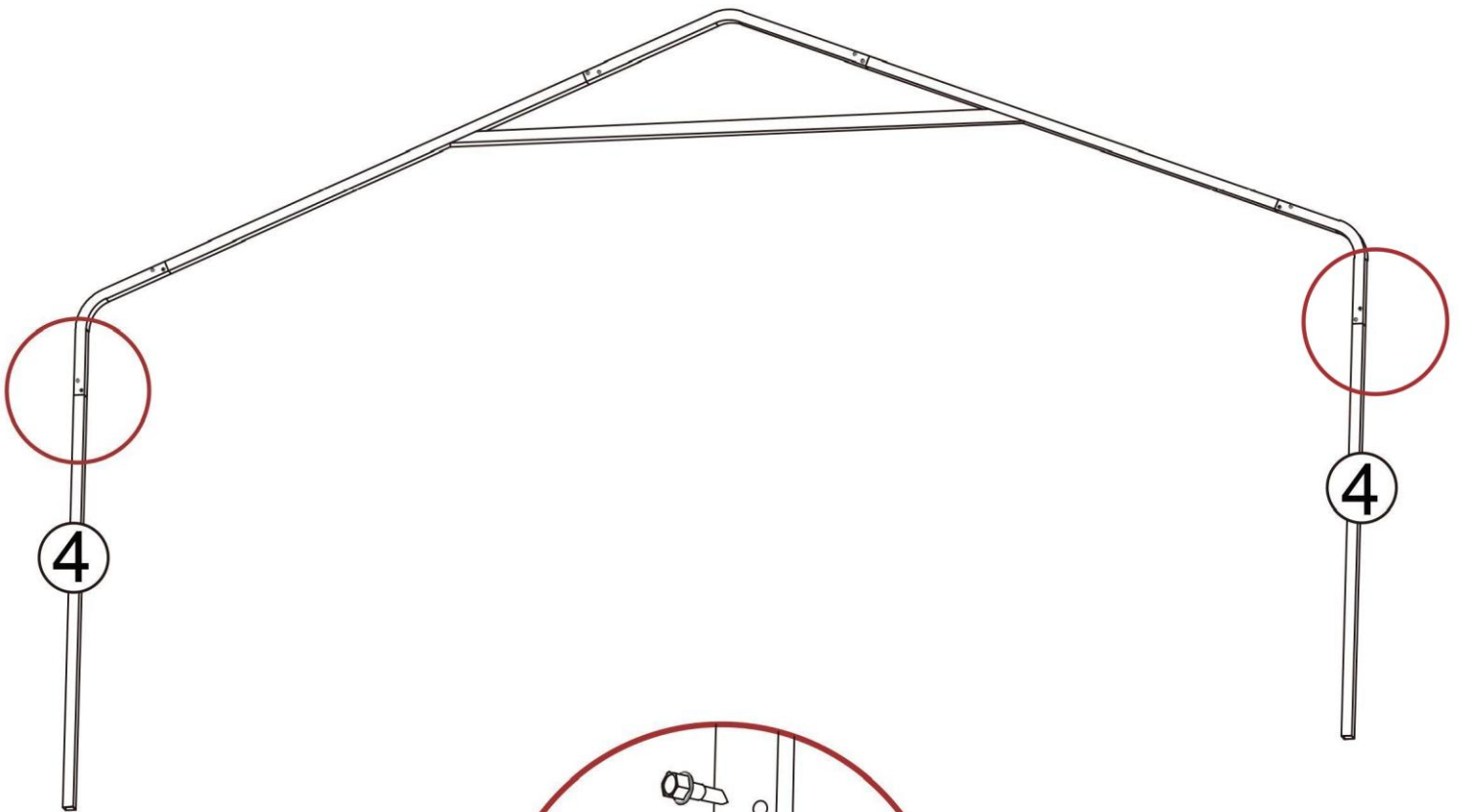
X2

F3		x130
----	---	------


Step 4

Note: No. 4 column rod with hole position facing inward

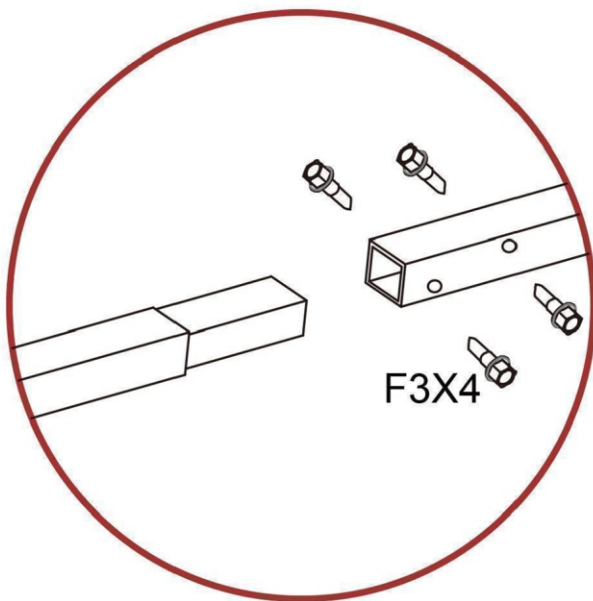
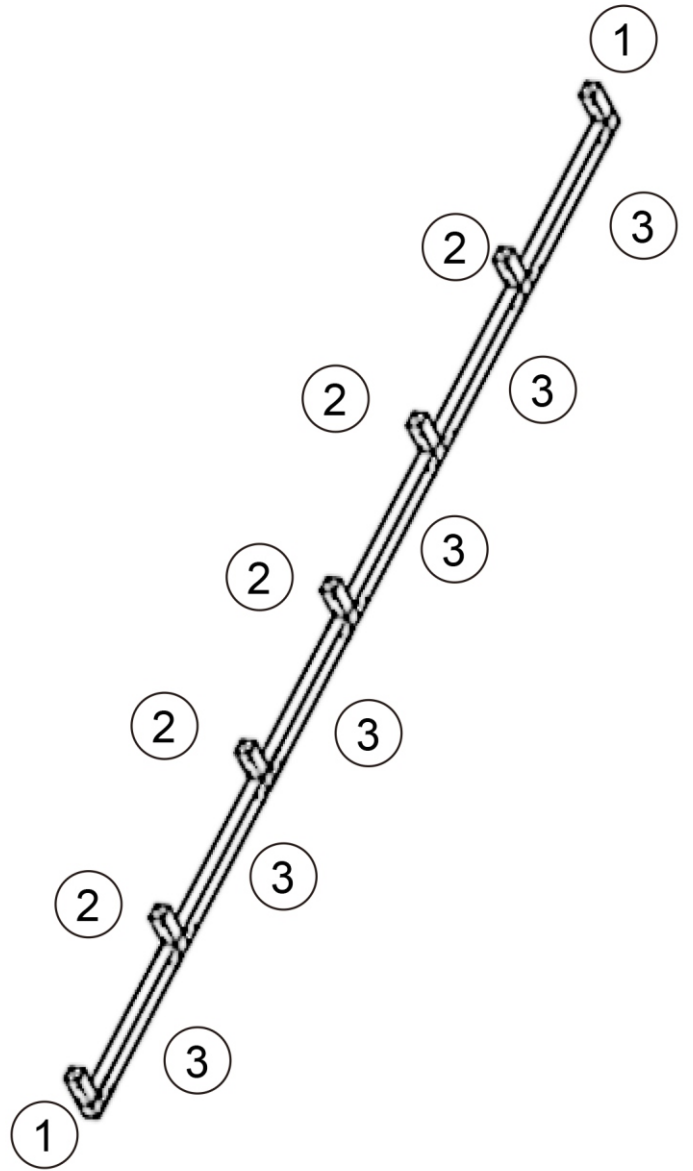
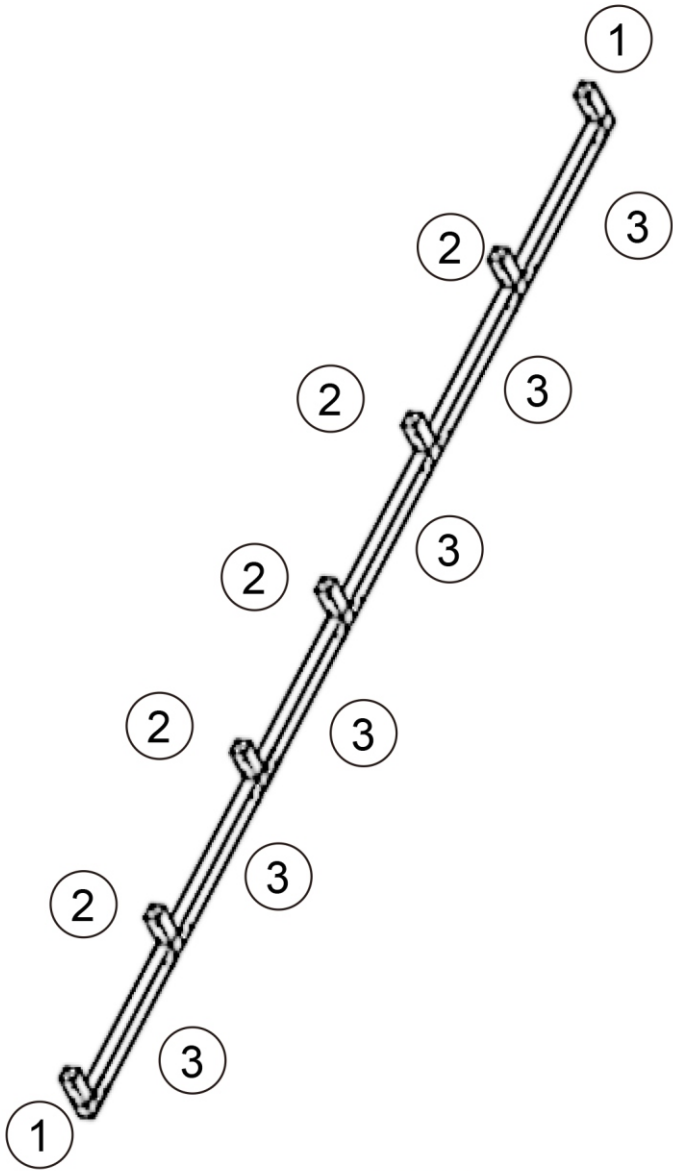
X7




X7

F3		x56
----	---	-----

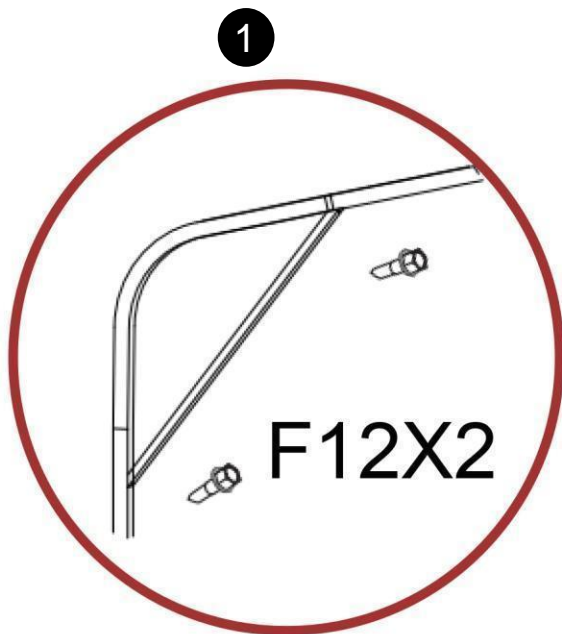
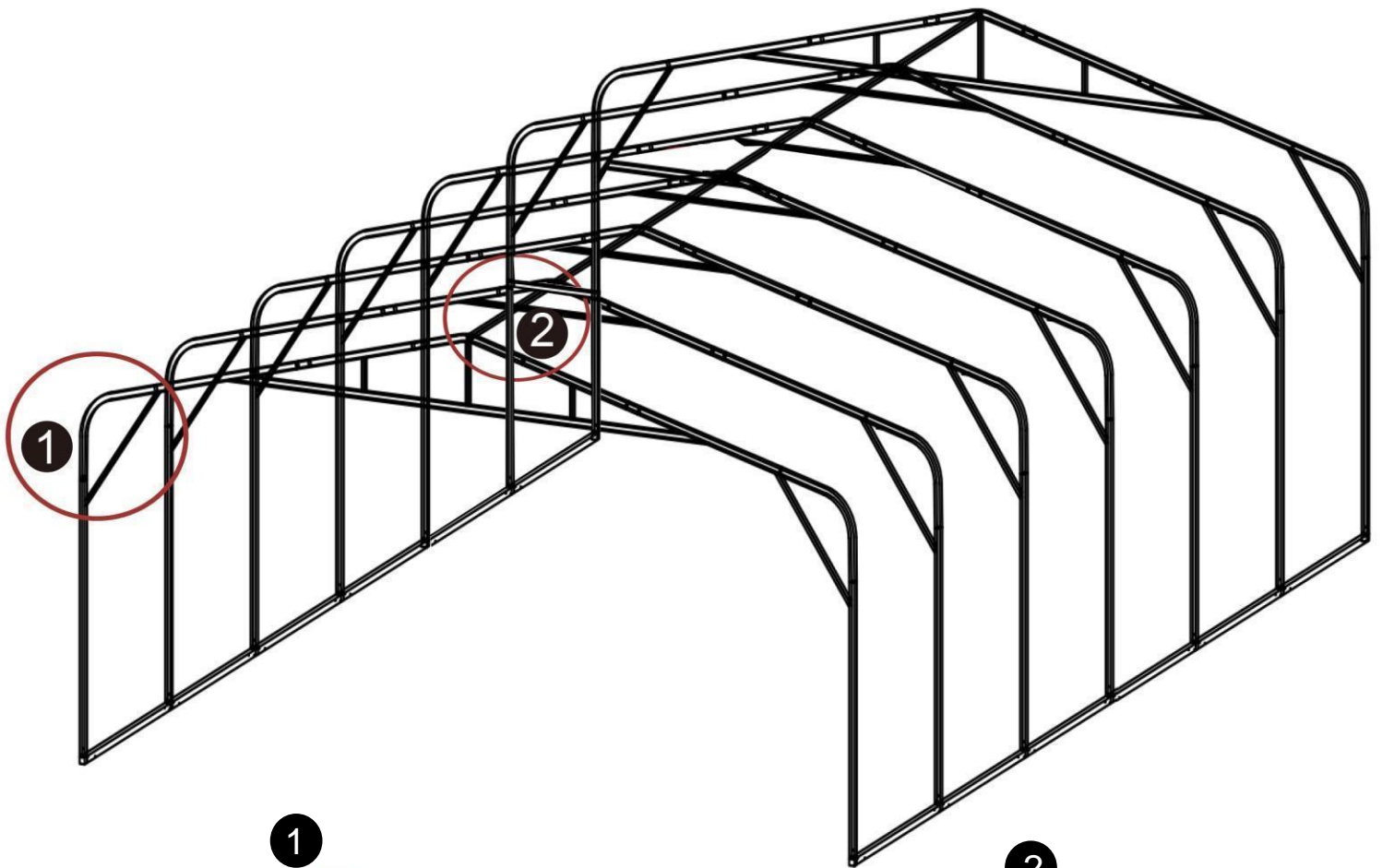
Step 5



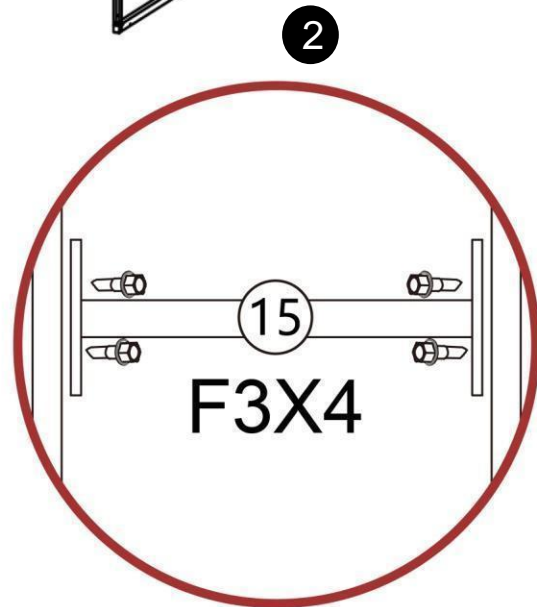
X24

F3		x96
----	---	-----


Step 6




X14

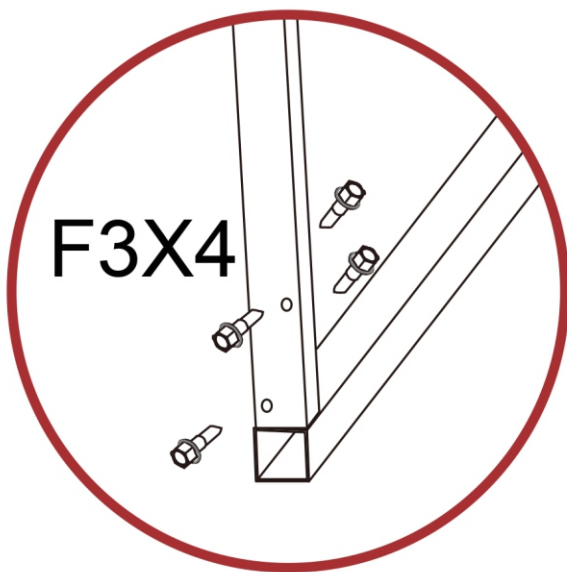
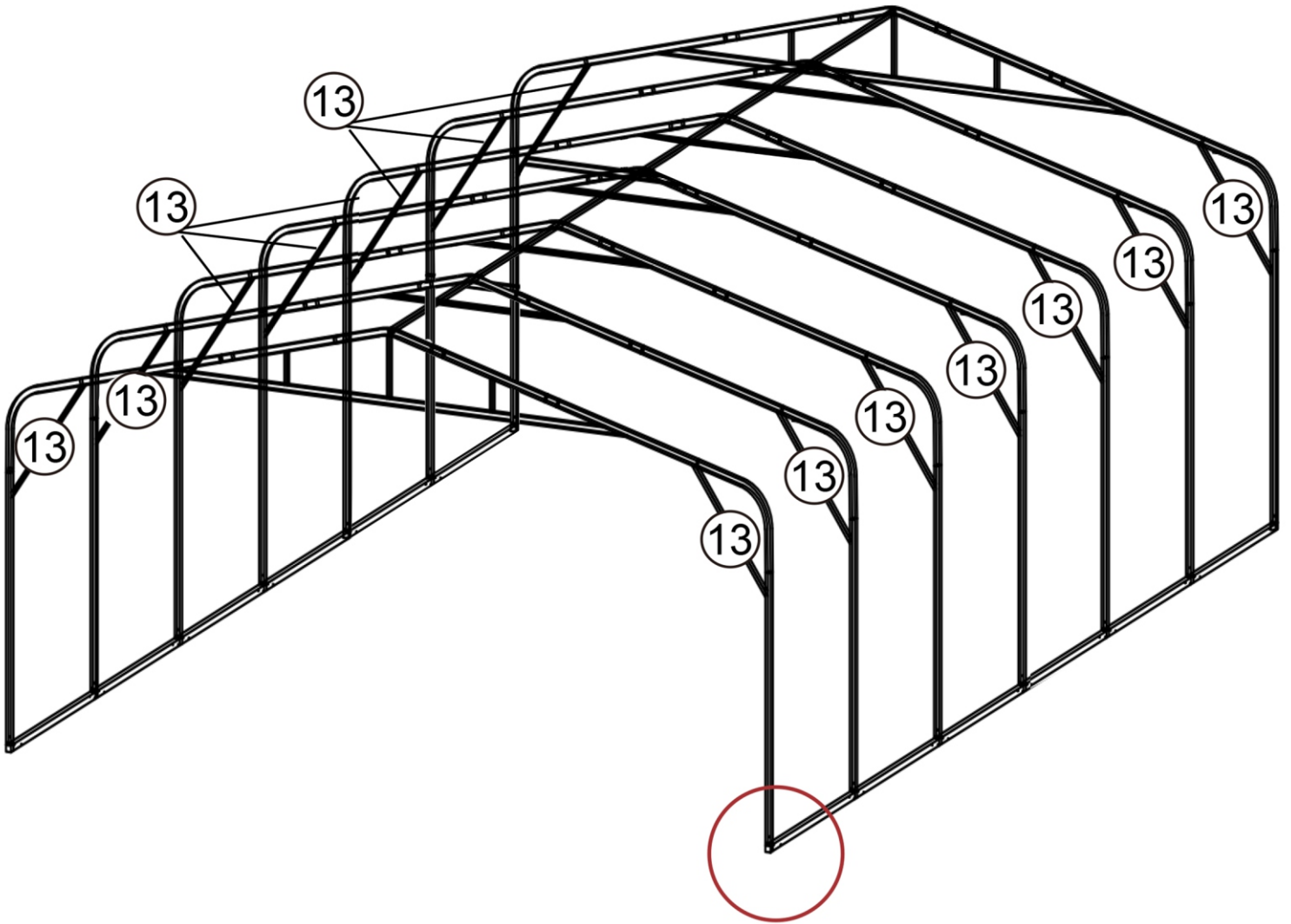


X6


F3		x24
----	---	-----

F12		x28
-----	---	-----

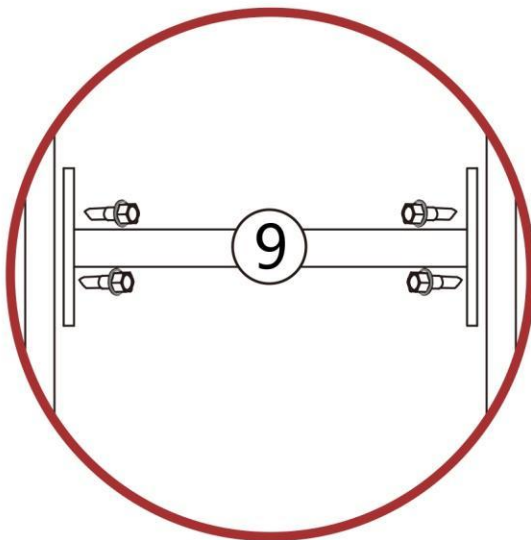
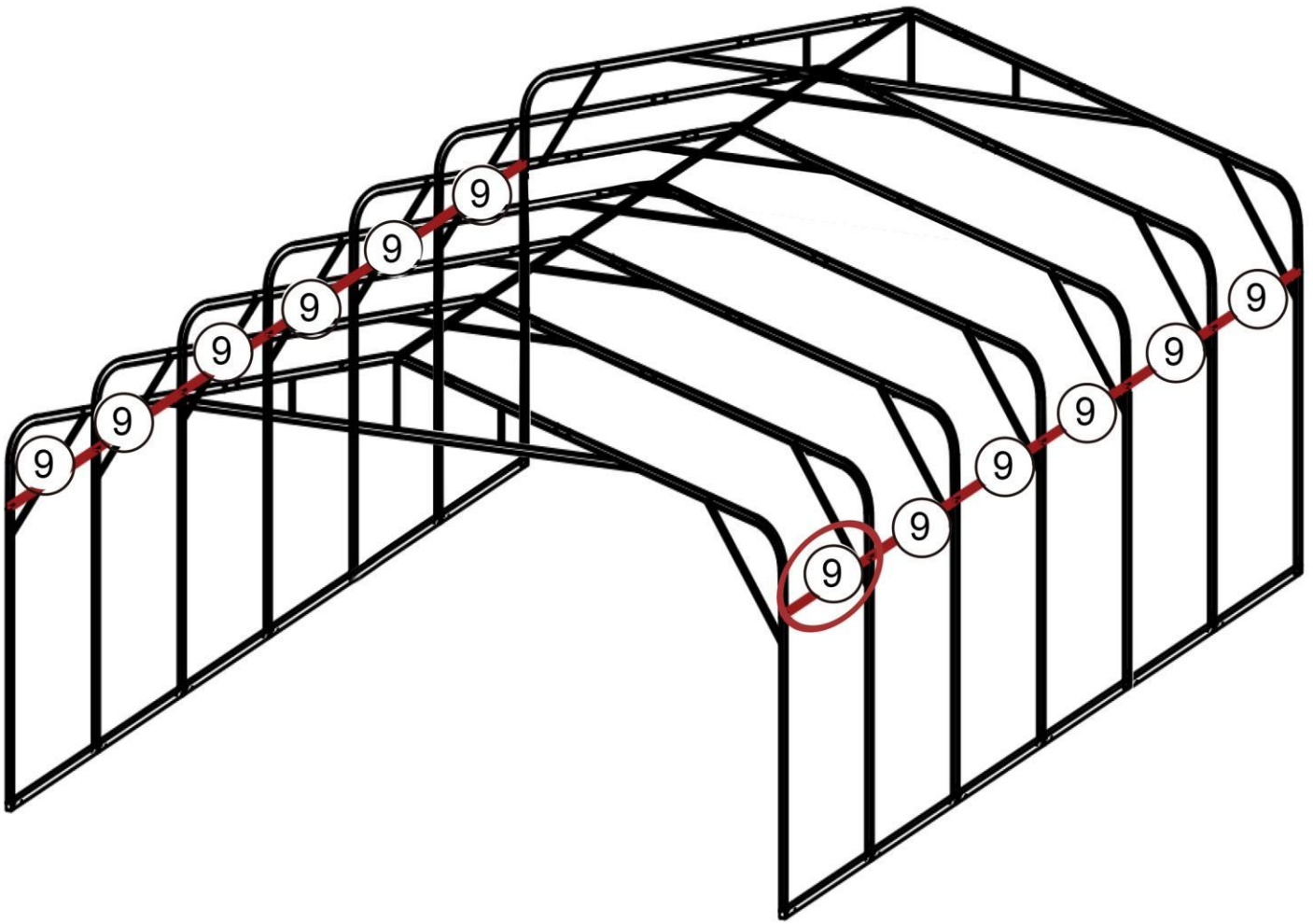
Step 7




X14

F3		X56
----	---	-----

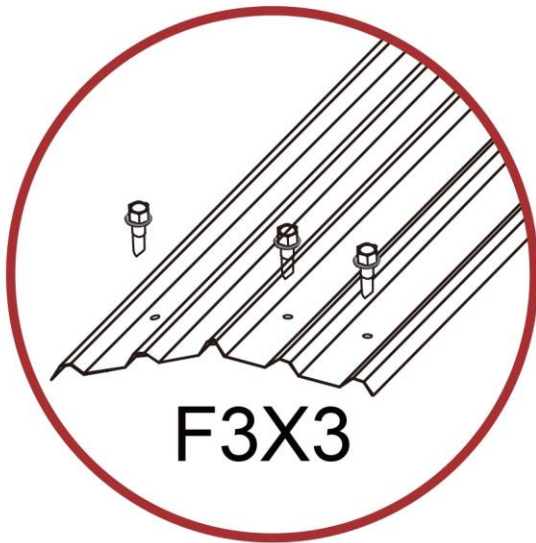
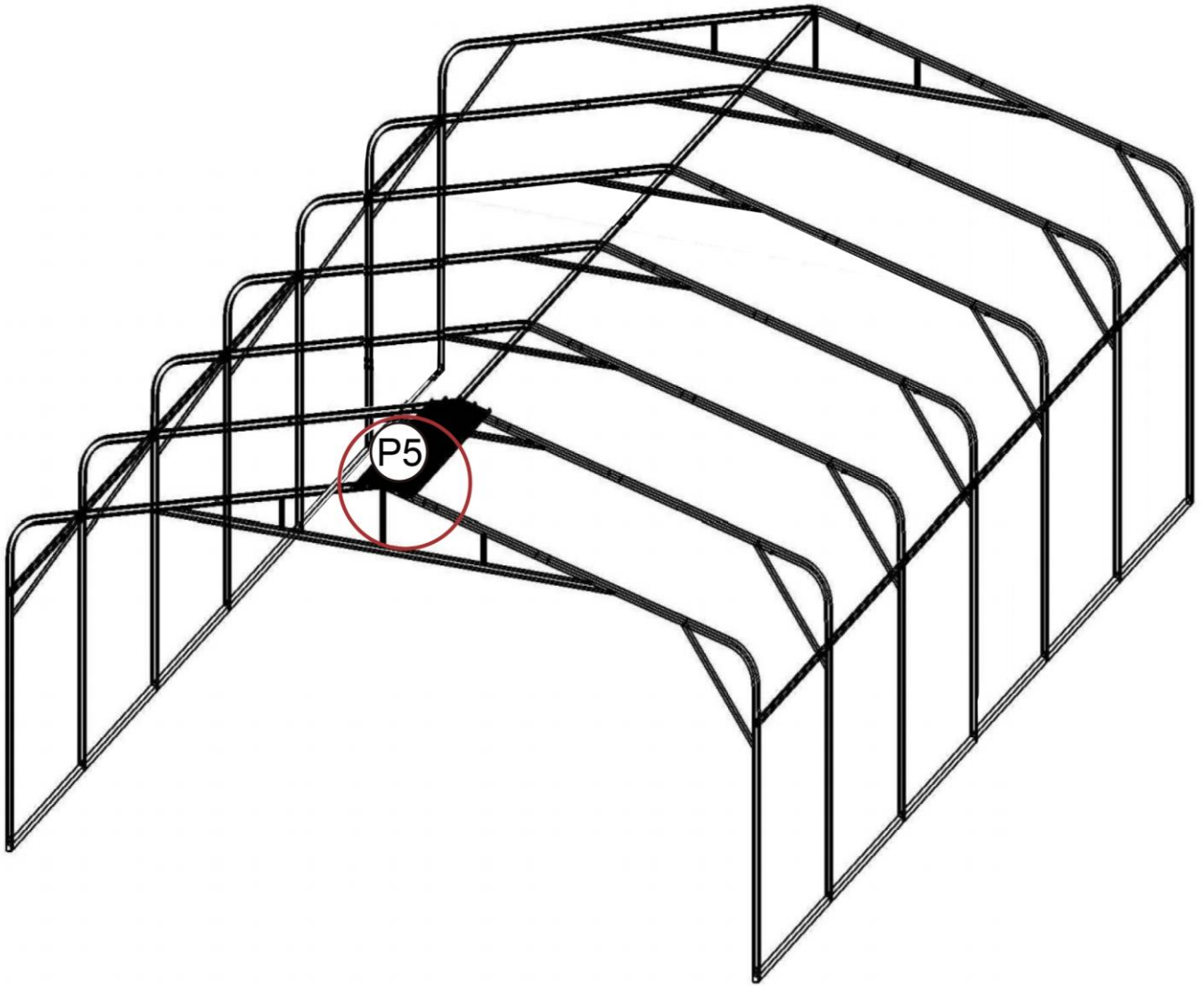
step 8




X12

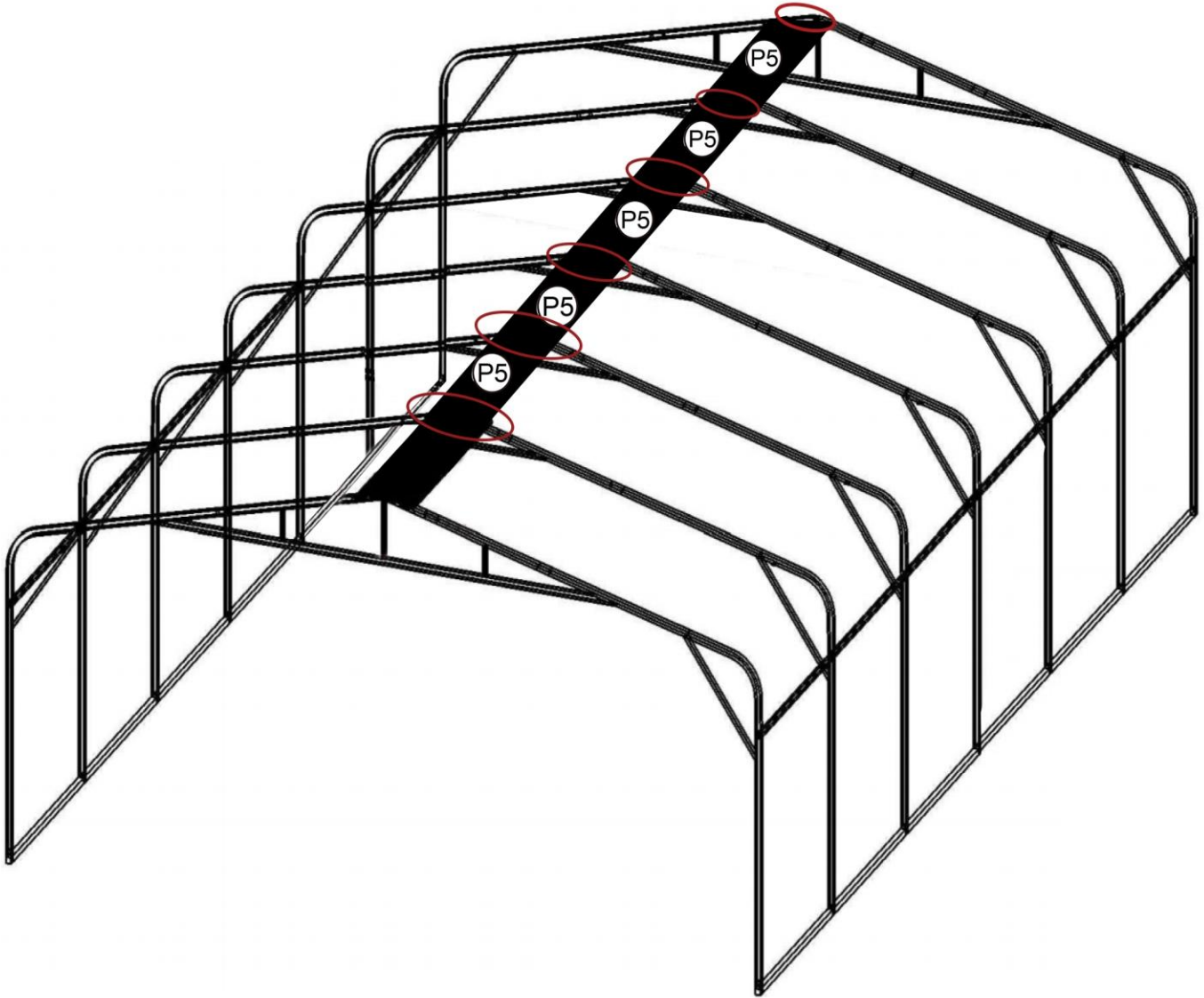
F3		x48
----	---	-----

Step 9

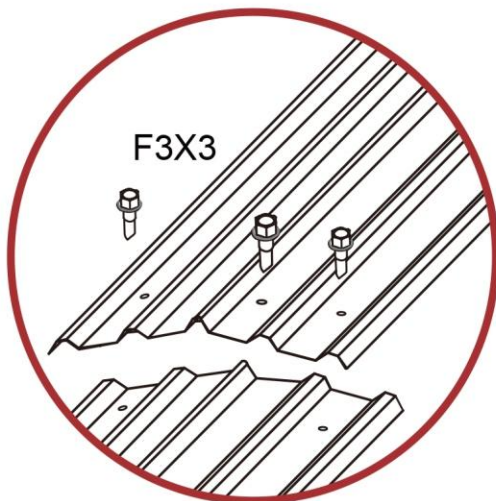



F3		x3
----	---	----

Step 10



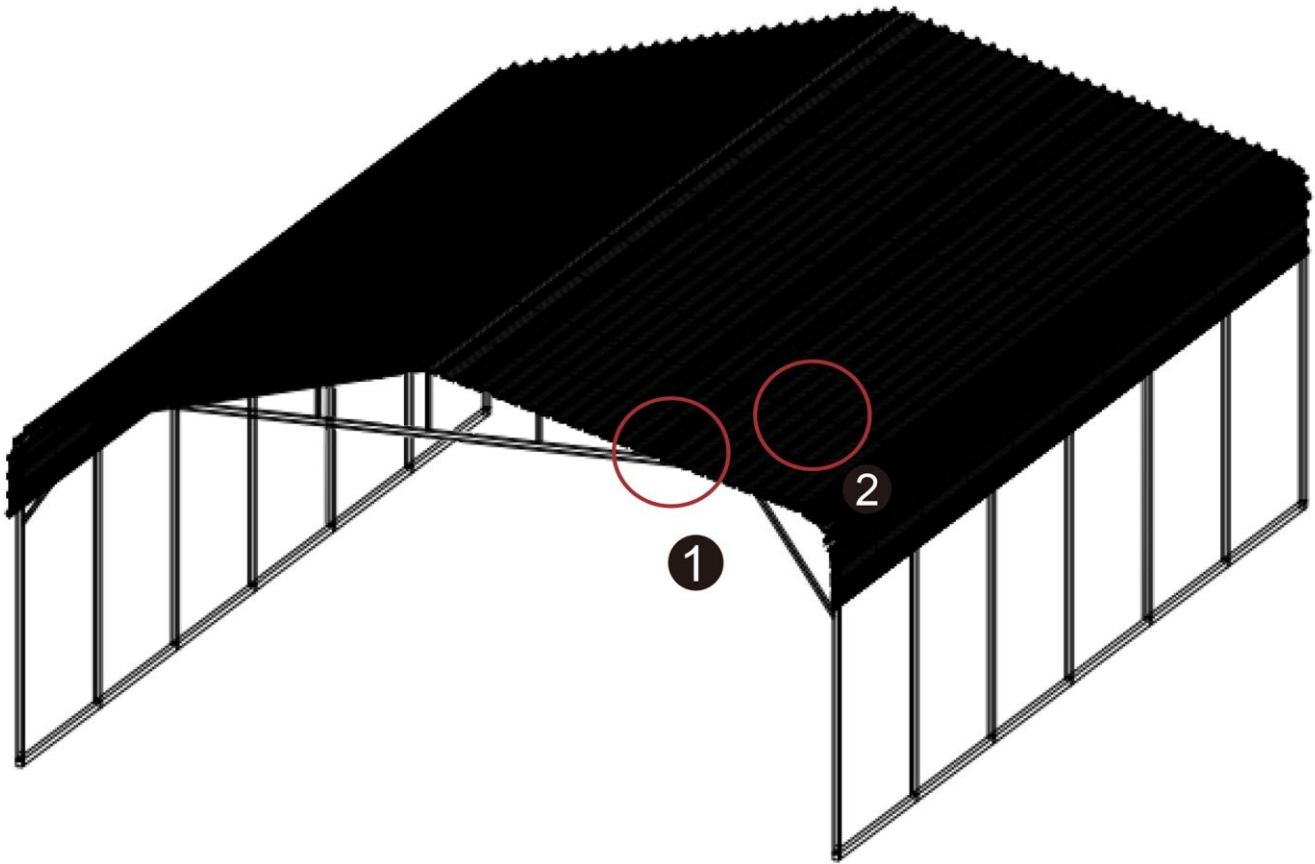
Apply a layer of waterproof tape to the outside of the seams of the two layers of tin, which can effectively prevent leakage of the carport



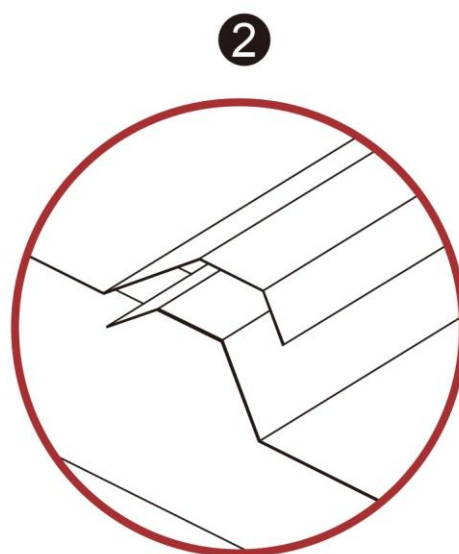
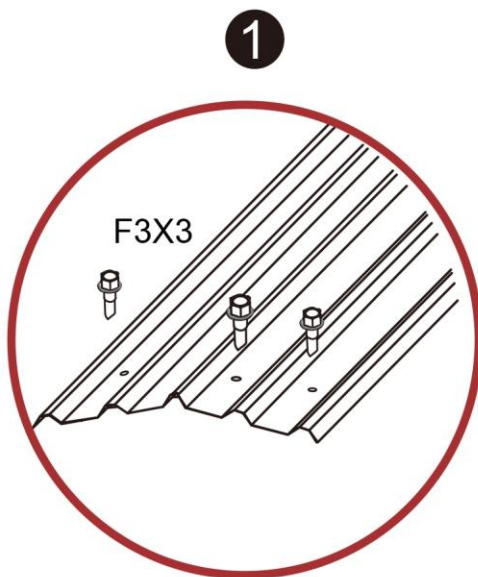
F3		x18
----	---	-----


Step 11

Note: You need to drill holes on the frame when installing the P5. Make sure the edges of the boards are aligned to avoid skewing during the assembly process.

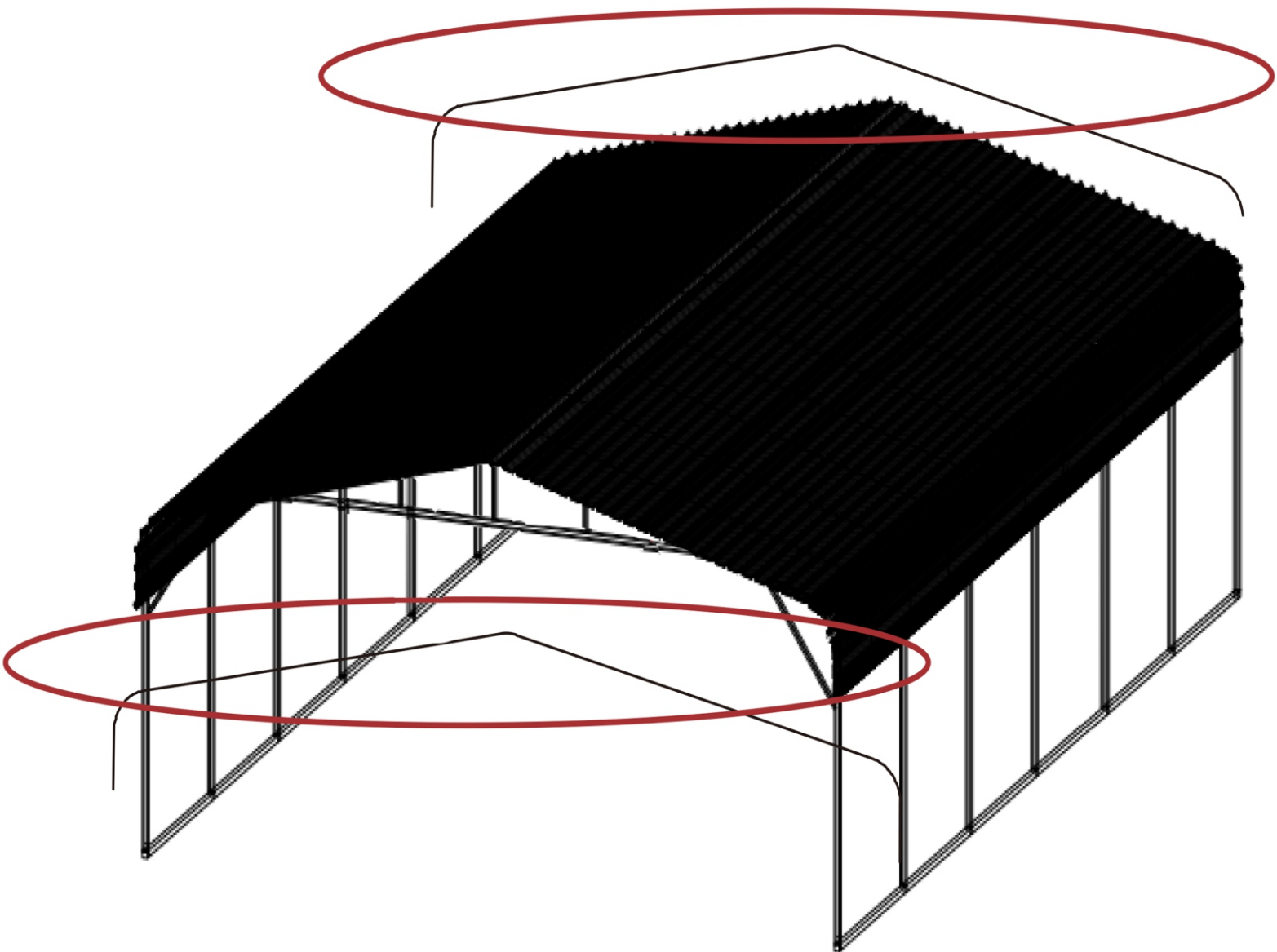
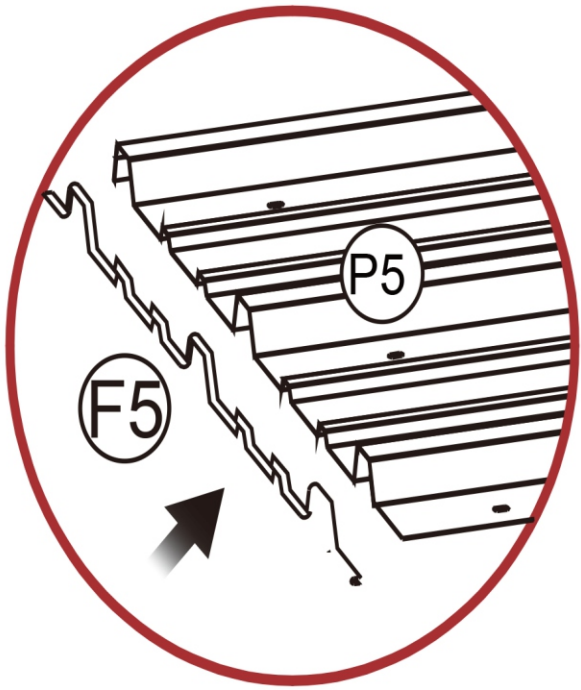


Apply a layer of waterproof tape to the outside of the seams of the two layers of tin, which can effectively prevent leakage of the carport

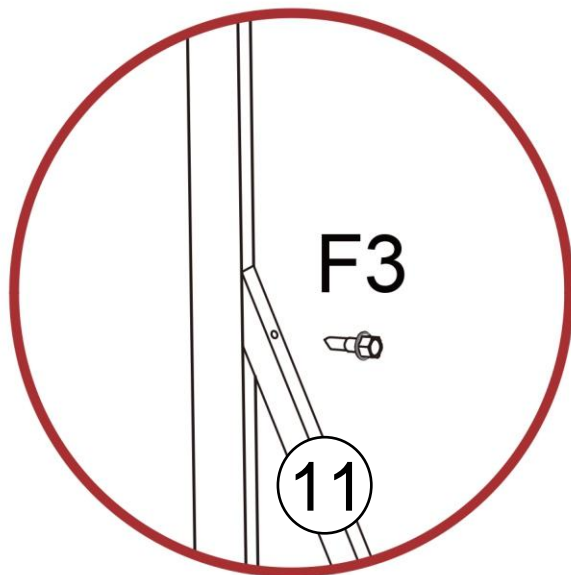
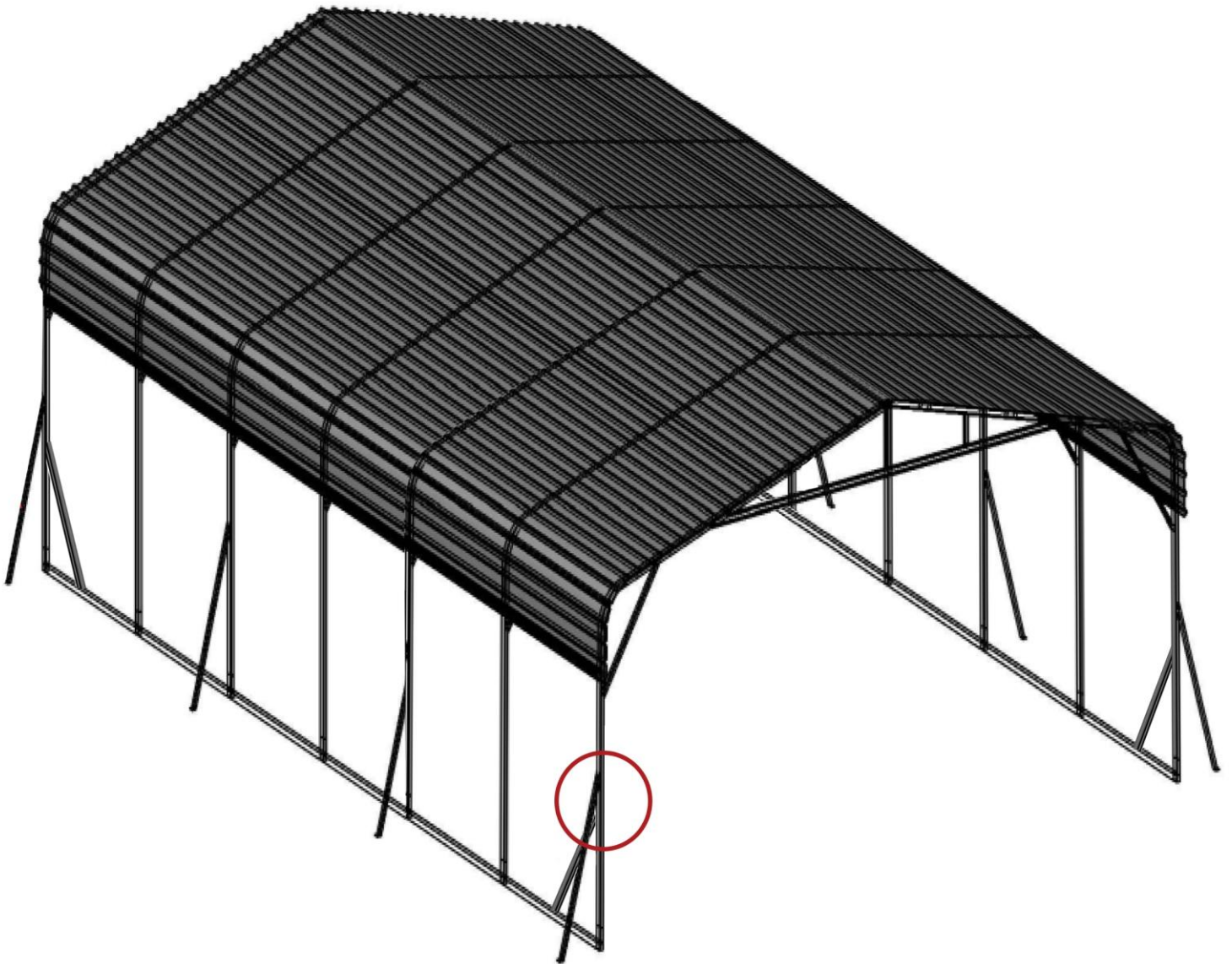


F3		x336
----	---	------


Step 12



Step 13

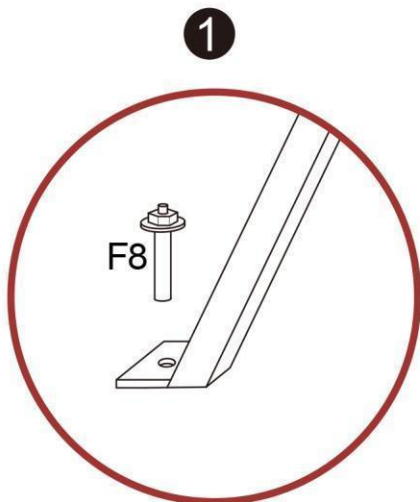
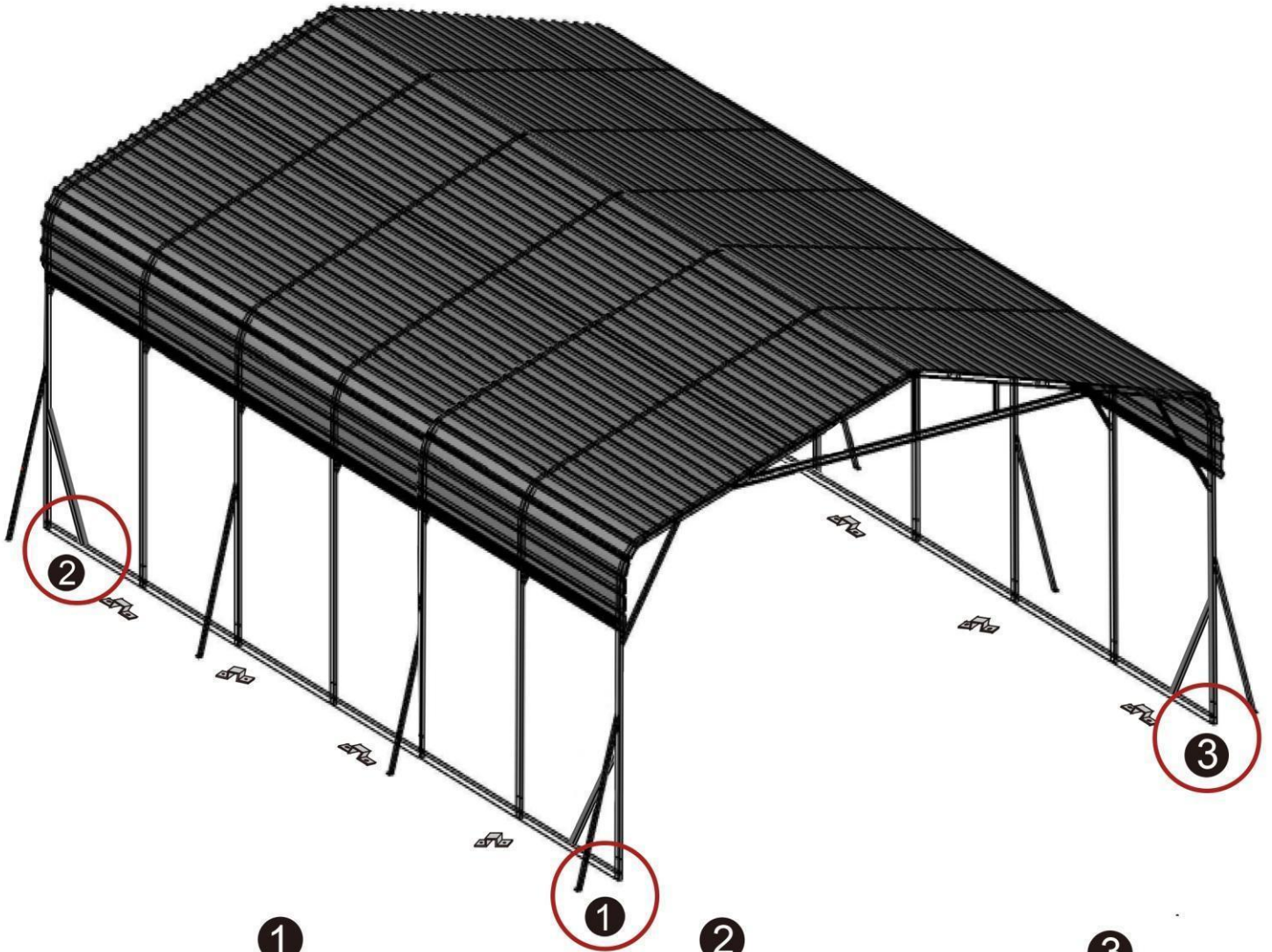


X8

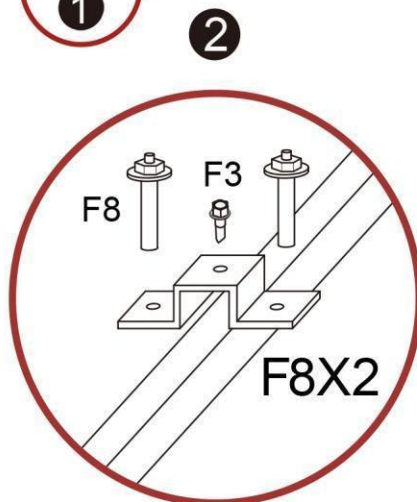
F3		x8
----	---	----

Step 14

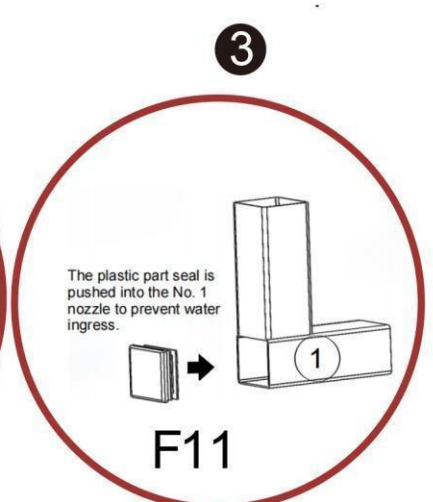
Note: Before installing the F8, make sure the overall product size is consistent. If not, adjust it to prevent the product from shaking.




X8



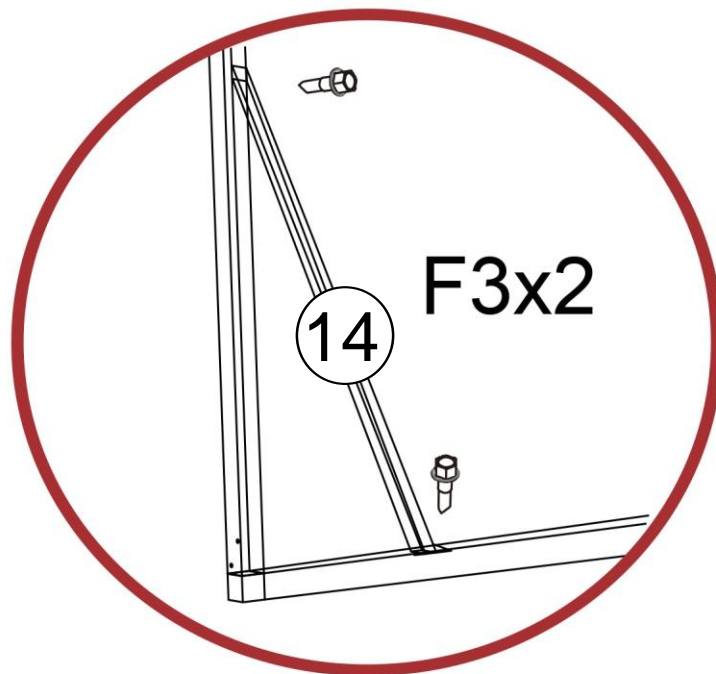
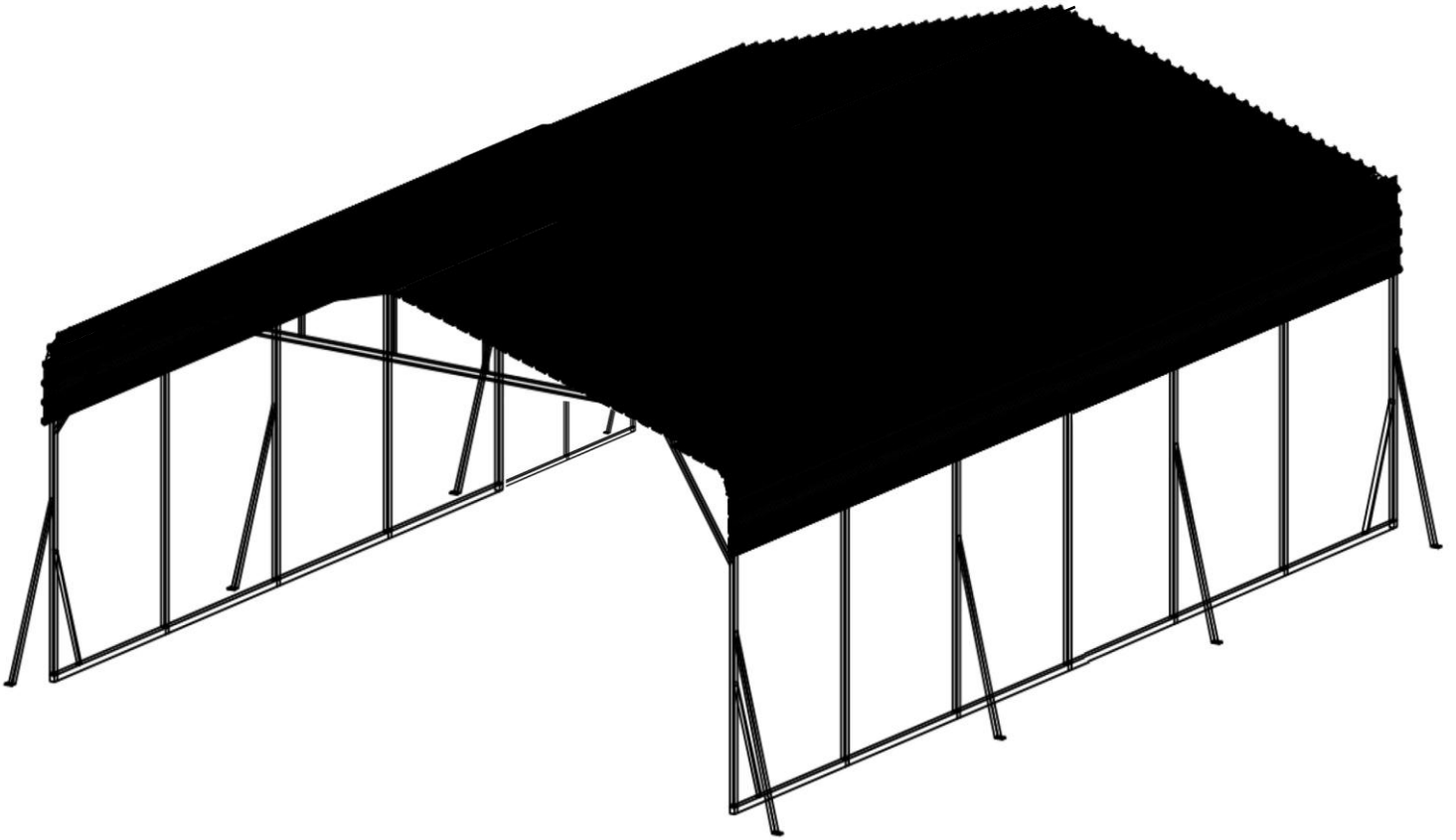
X8




X4

F3		x8
----	---	----

Step 15



X4

F3		x8
----	---	----