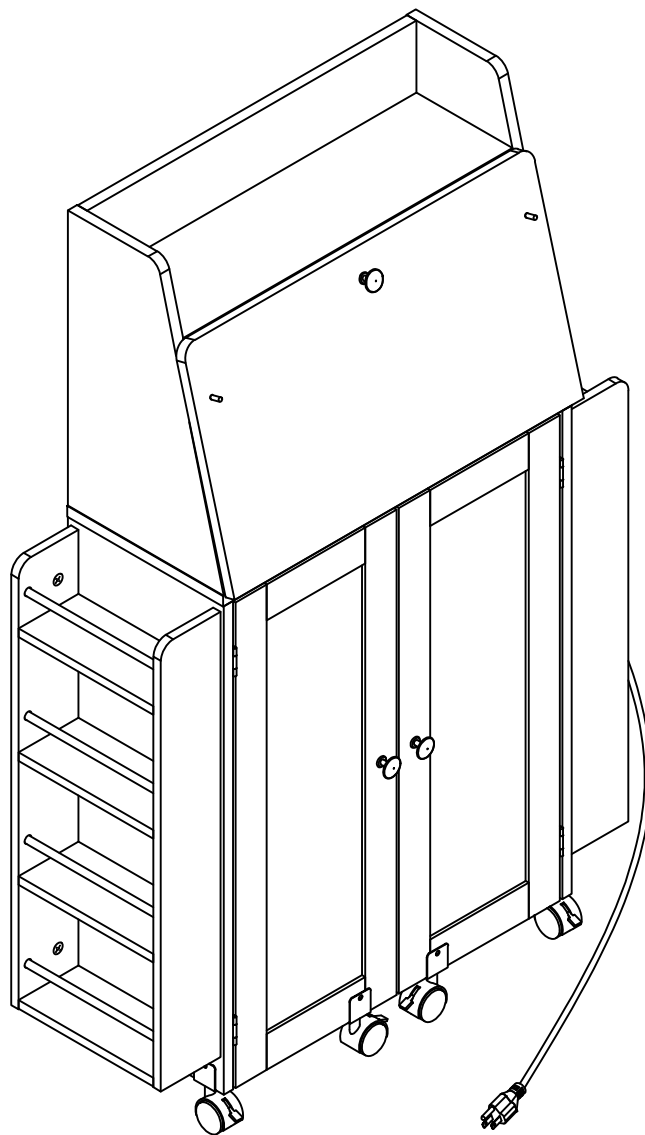
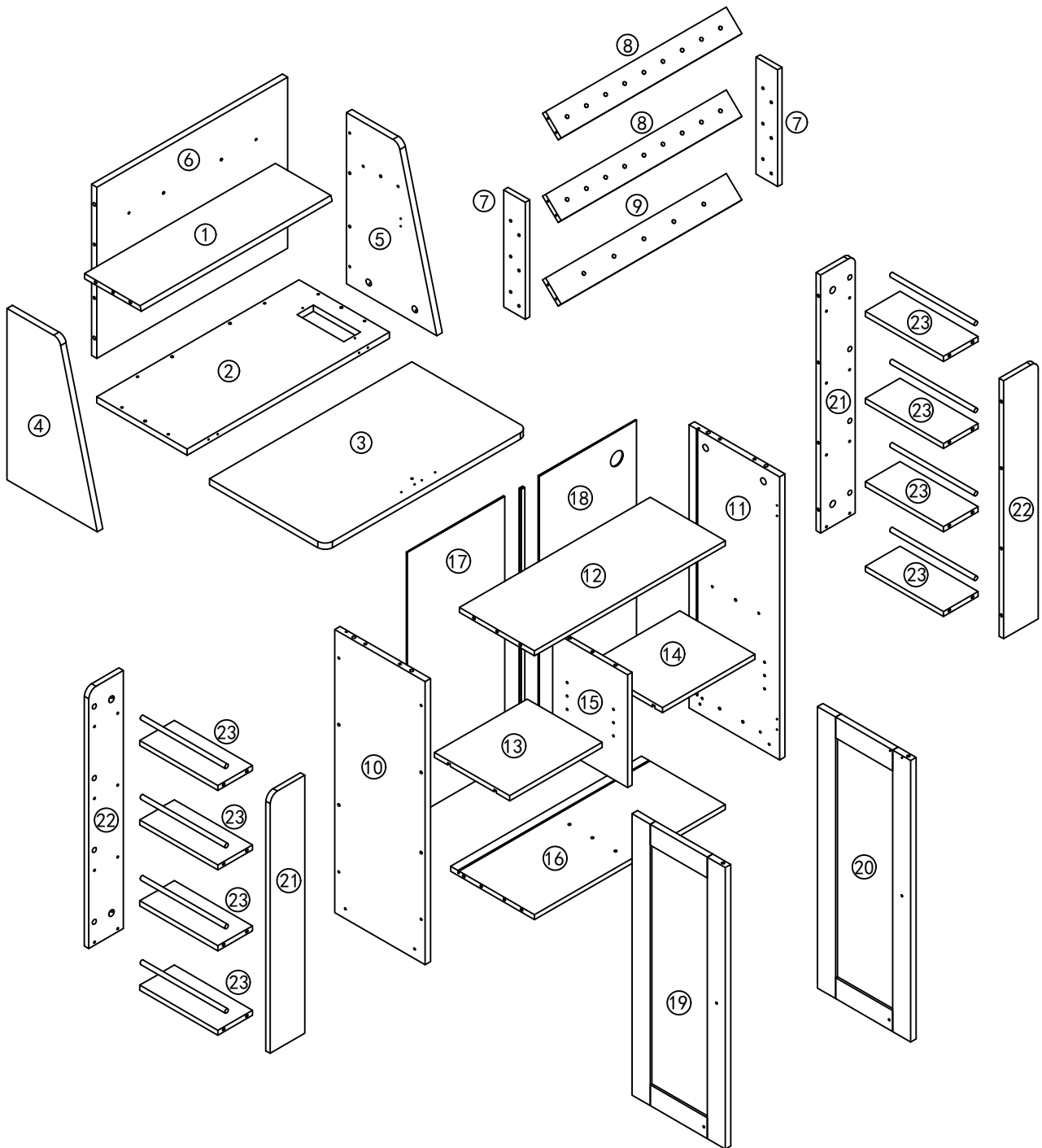


# Sewing Machine Table

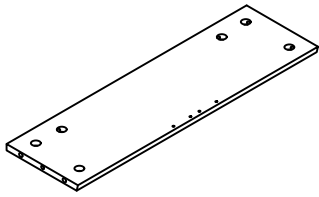


SKU: QC25121201

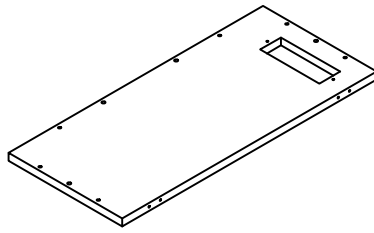
# ASSEMBLY INSTRUCTION



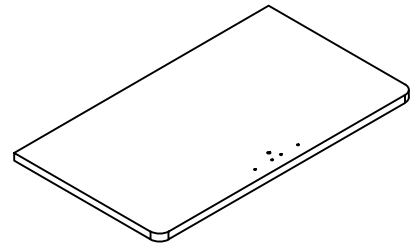
① \*1



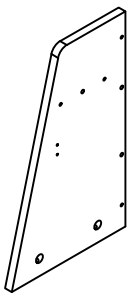
② \*1



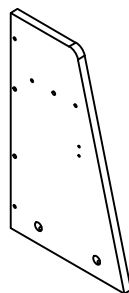
③ \*1



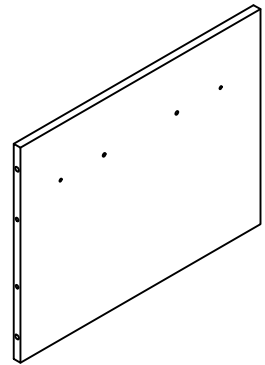
④ \*1



⑤ \*1



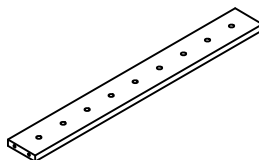
⑥ \*1



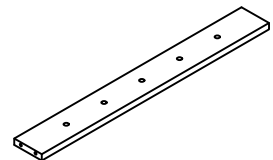
⑦ \*2



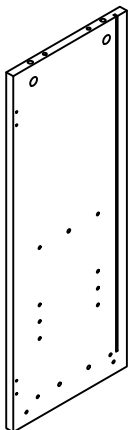
⑧ \*2



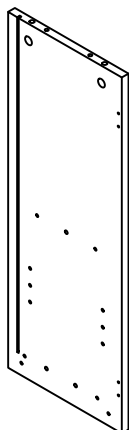
⑨ \*1



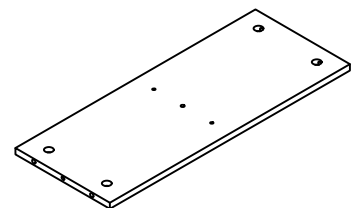
⑩ \*1



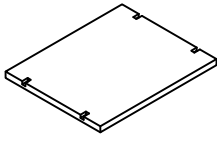
⑪ \*1



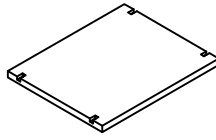
⑫ \*1



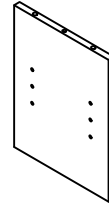
⑬ \*4



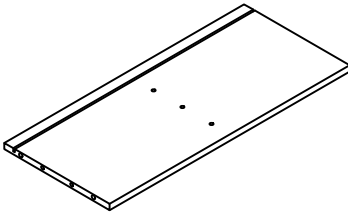
⑭ \*1



⑮ \*1



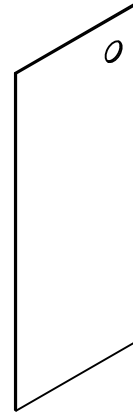
⑯ \*1



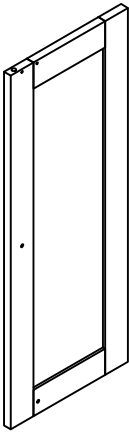
⑰ \*1



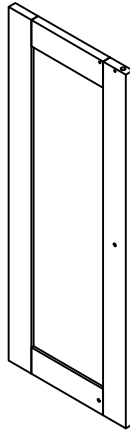
⑱ \*1



⑲ \*1



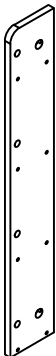
⑳ \*1



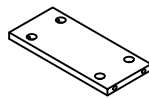
㉑ \*2

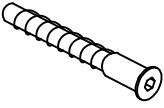

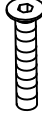

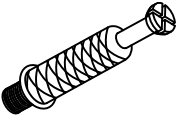

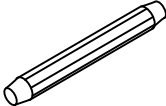
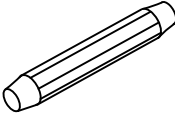

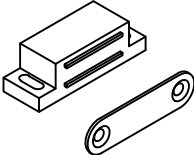

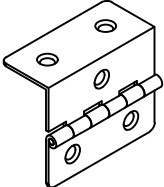
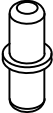
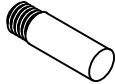
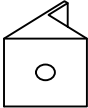
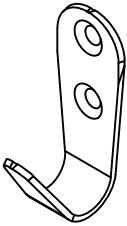


㉒ \*2

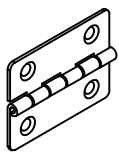


㉓ \*8

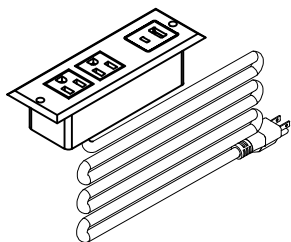


<p>A × 14</p>  <p>M5*40</p>	<p>B × 54</p>  <p>M3.5*14</p>	<p>C × 6</p>  <p>M6*25</p>	<p>D × 3</p>  <p>M4*20</p>
<p>E × 70</p>  <p>K M6*40</p>	<p>F × 56</p>  <p>M15*9</p>	<p>G × 32</p>  <p>φ6*50</p>	<p>H × 23</p>  <p>φ8*50</p>
<p>I × 3</p> 	<p>J × 4</p> 	<p>K × 6</p>  <p>M6</p>	<p>L × 4</p> 
<p>M × 8</p> 	<p>N × 2</p> 	<p>O × 8</p> 	<p>P × 2</p>  <p>4/24.</p>

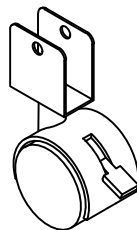
Q×2



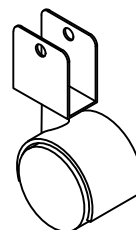
R×1



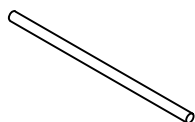
S×4



T×2



U×8



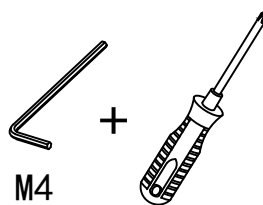
L234

V×1



L631

W×1



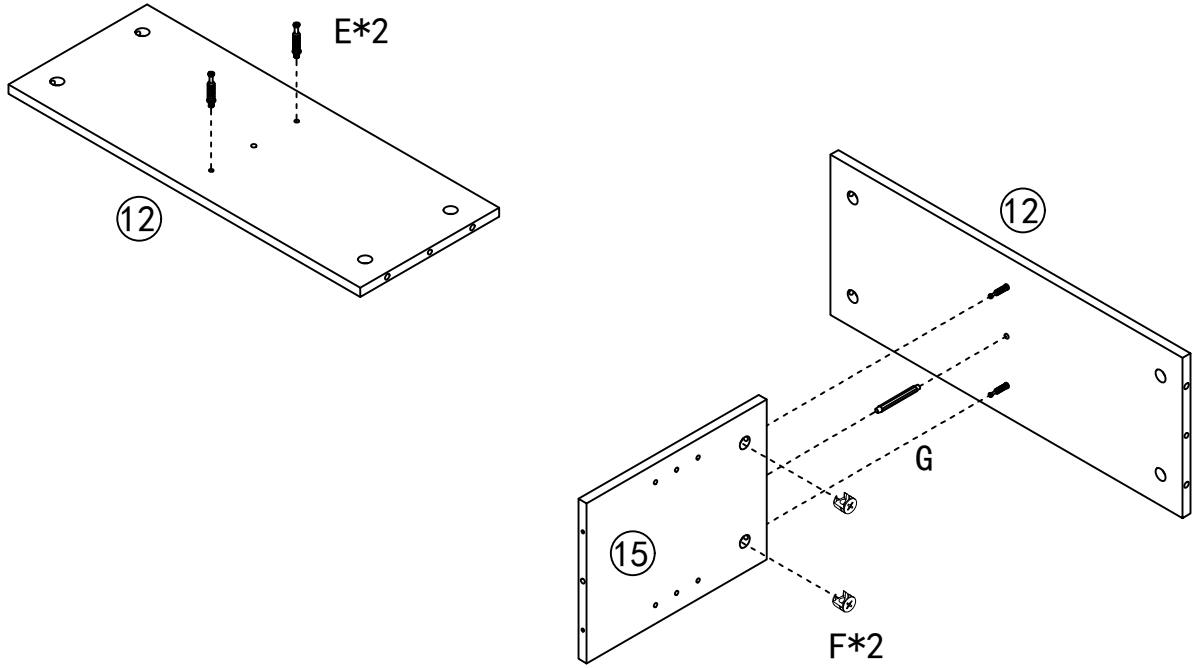
M4

X×14



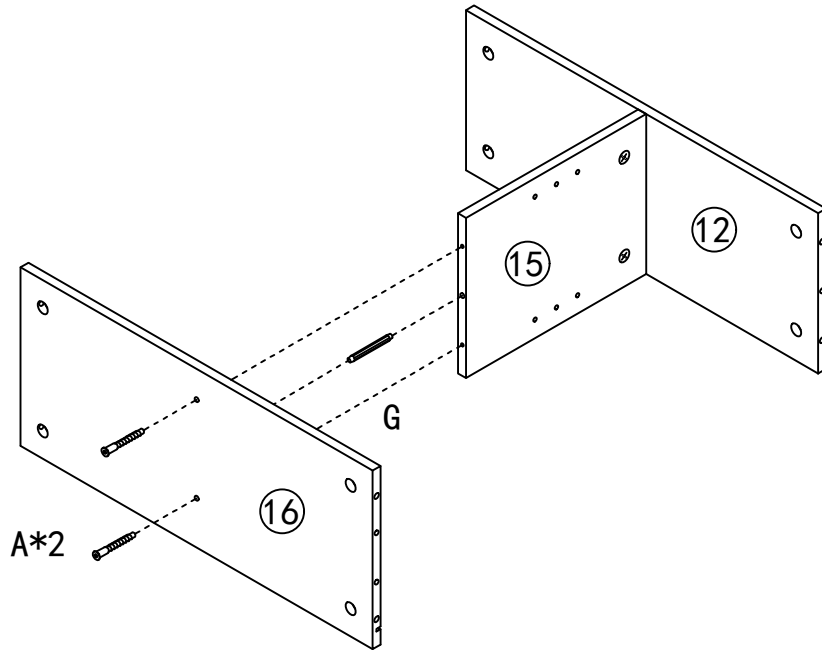
M15\*11



STEP1:



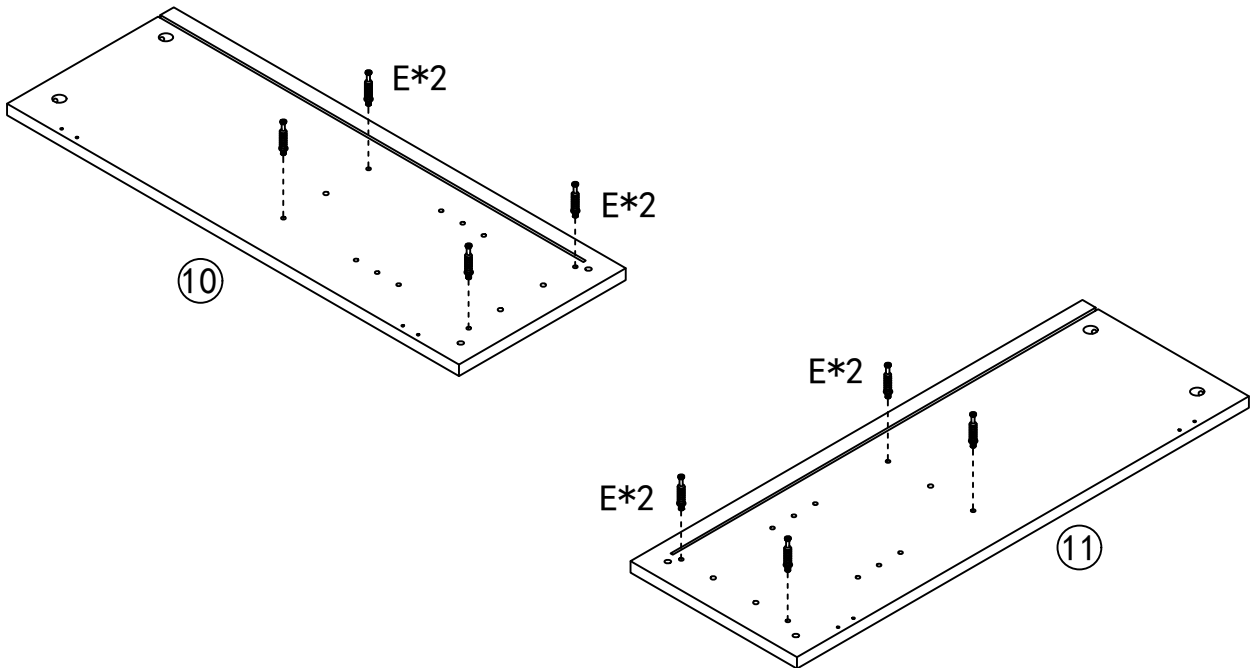
E	 *2	F	 *2	G	 *1
---	--	---	--	---	--

STEP2:



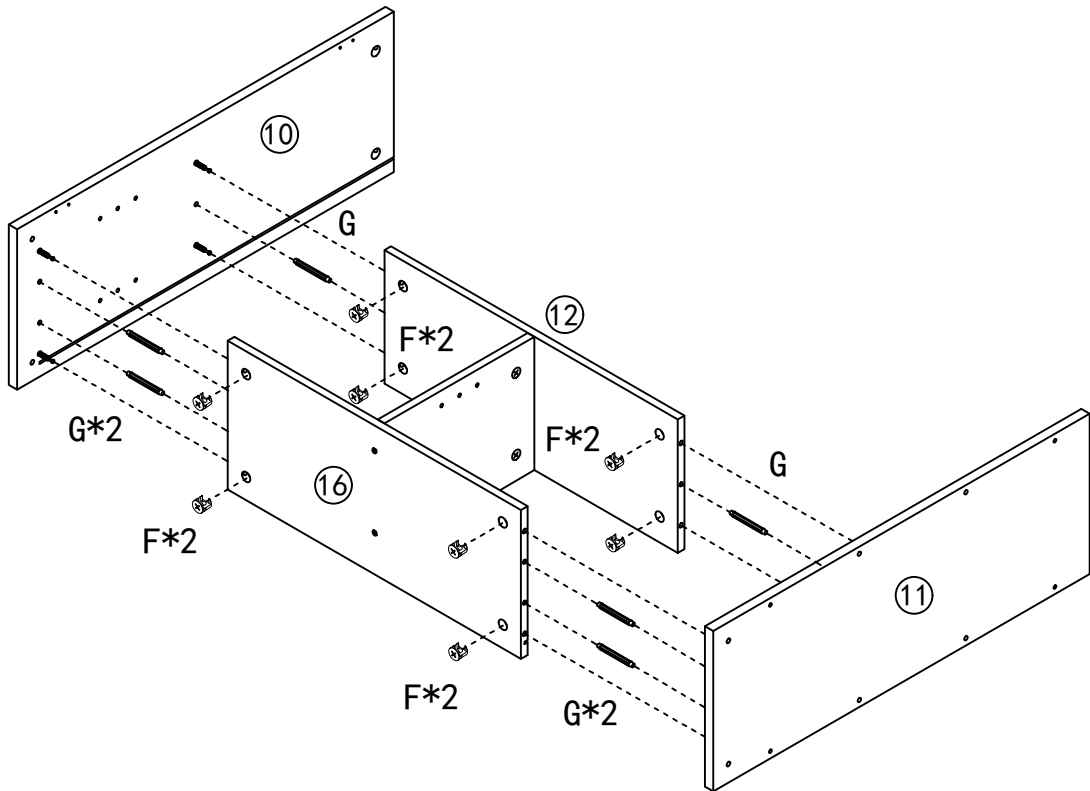
A	 *2	G	 *1
---	--	---	--



### STEP3:



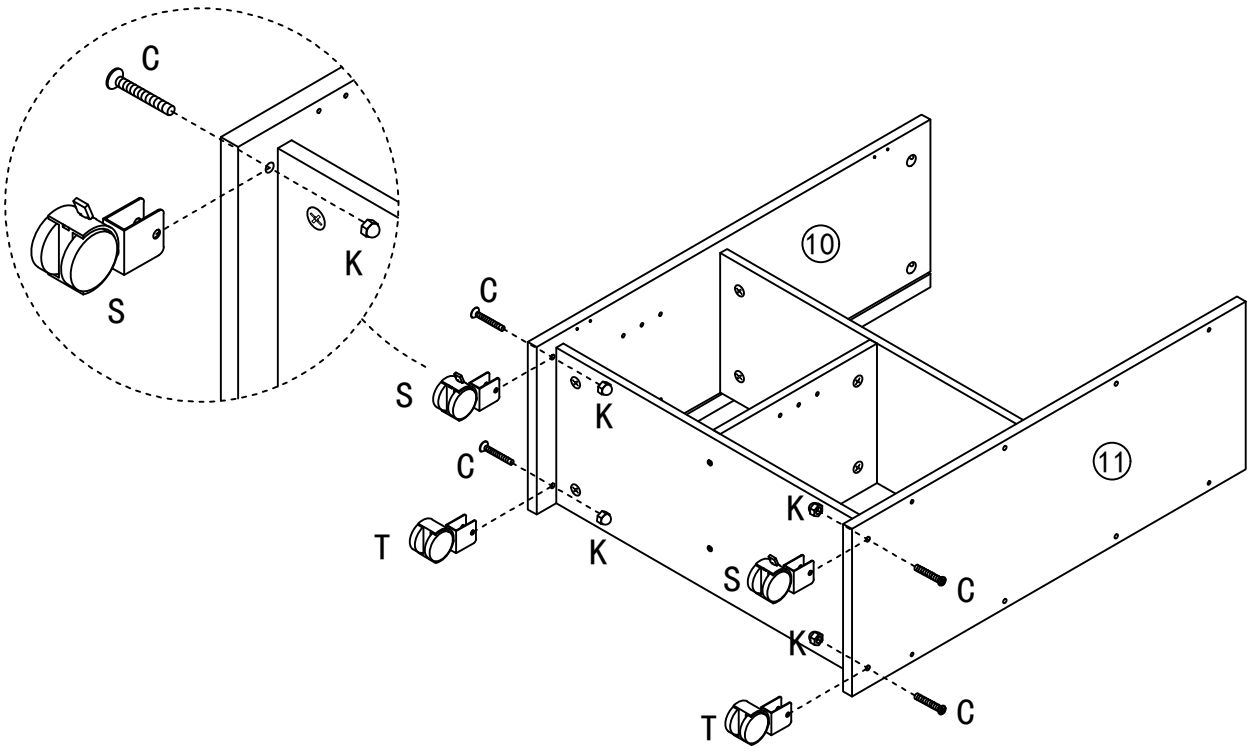
E	 *8
---	--

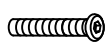



### STEP4:



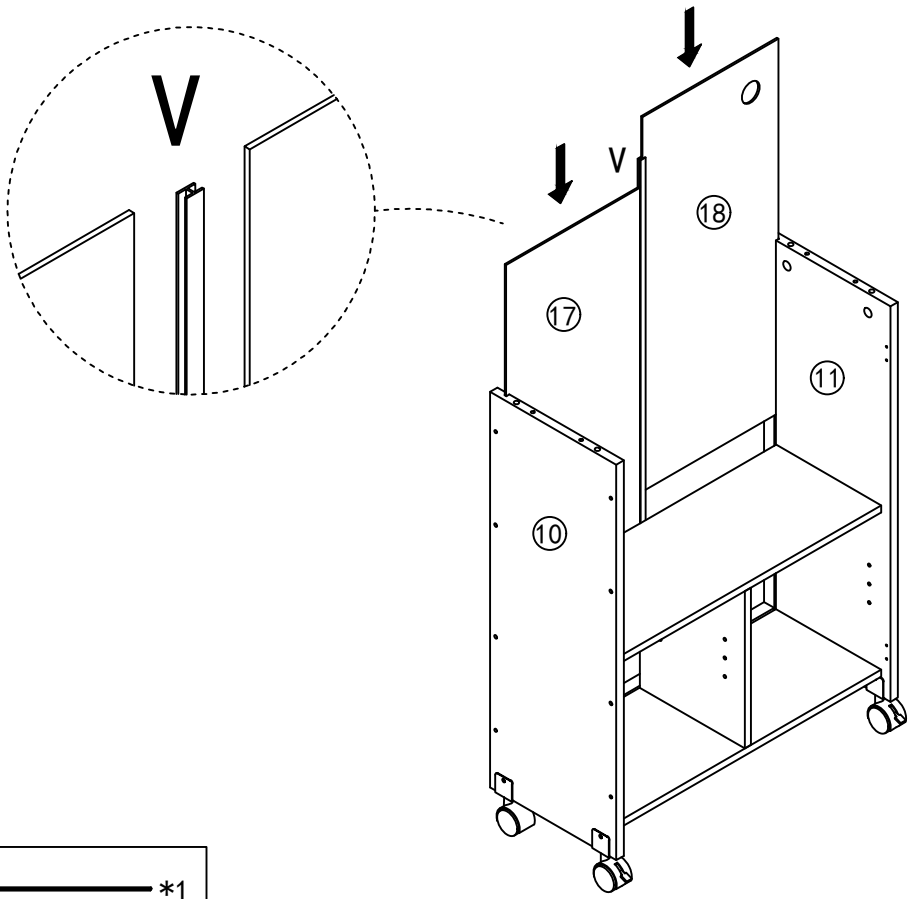
F	 *8	G	 *6
---	--	---	--


### STEP5:



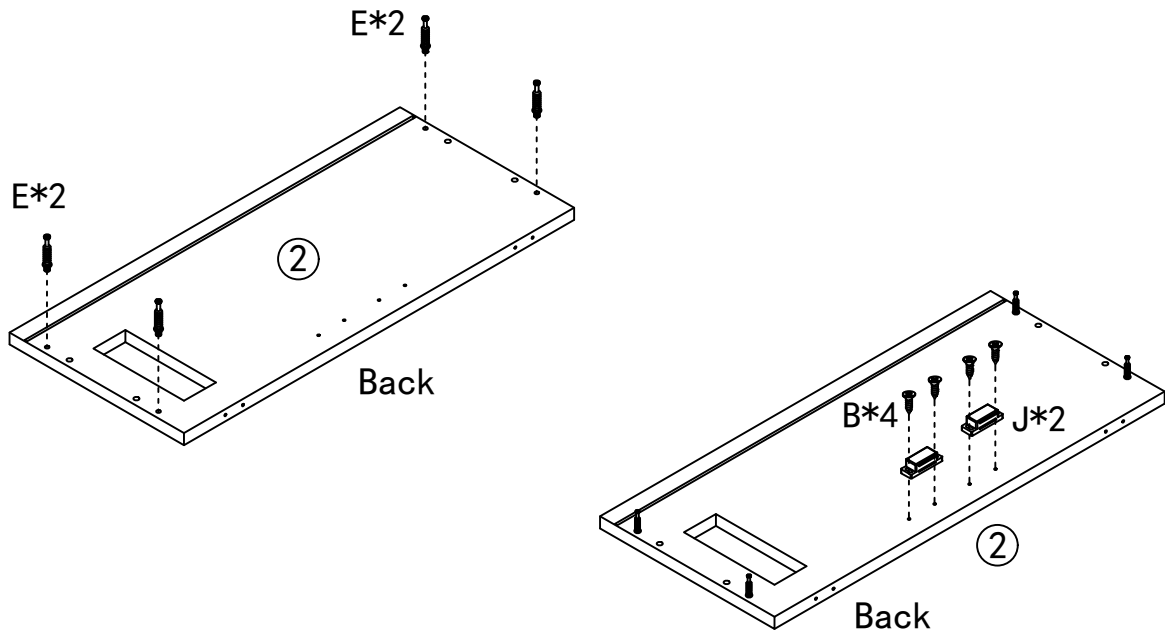
C		*4	K		*4	S		*2	T		*2
---	---	----	---	---	----	---	---	----	---	---	----

### STEP6:



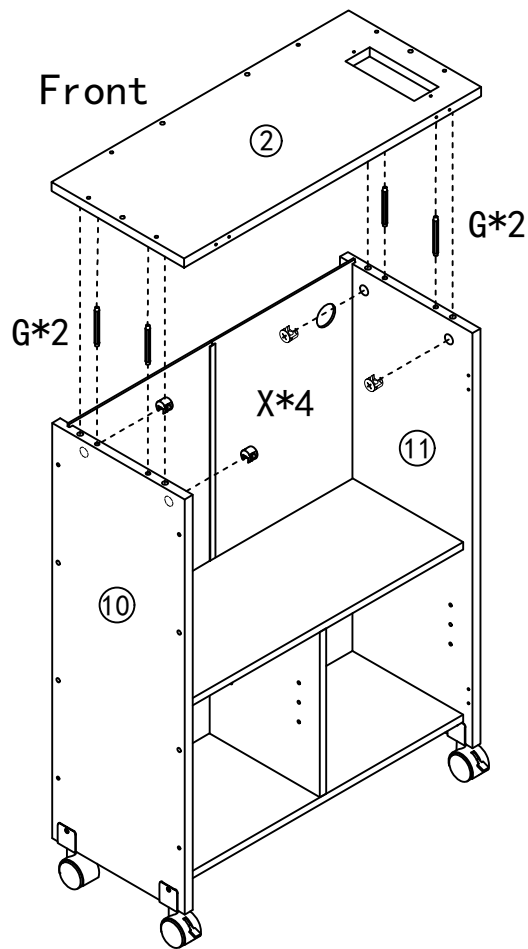
V		*1
---	---	----



# STEP7:



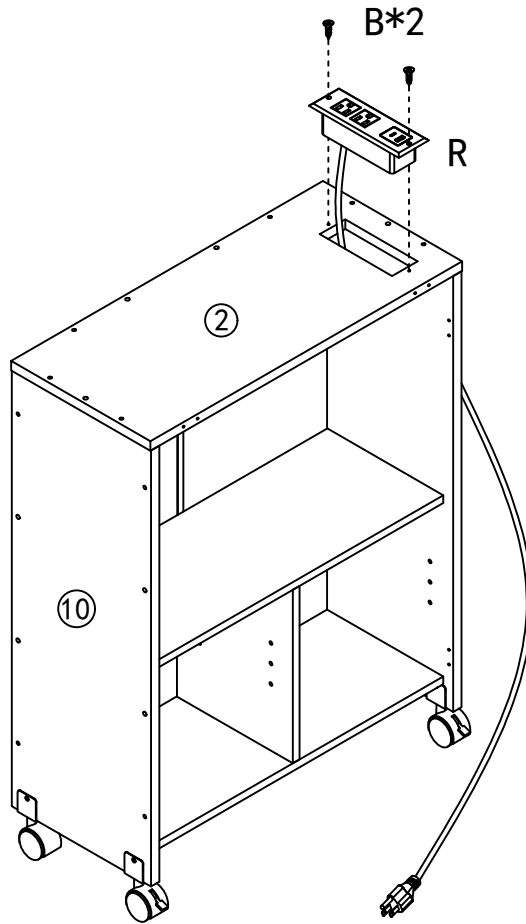
B	 *4	E	 *4	J	 *2
---	---	---	---	---	---



# STEP8:



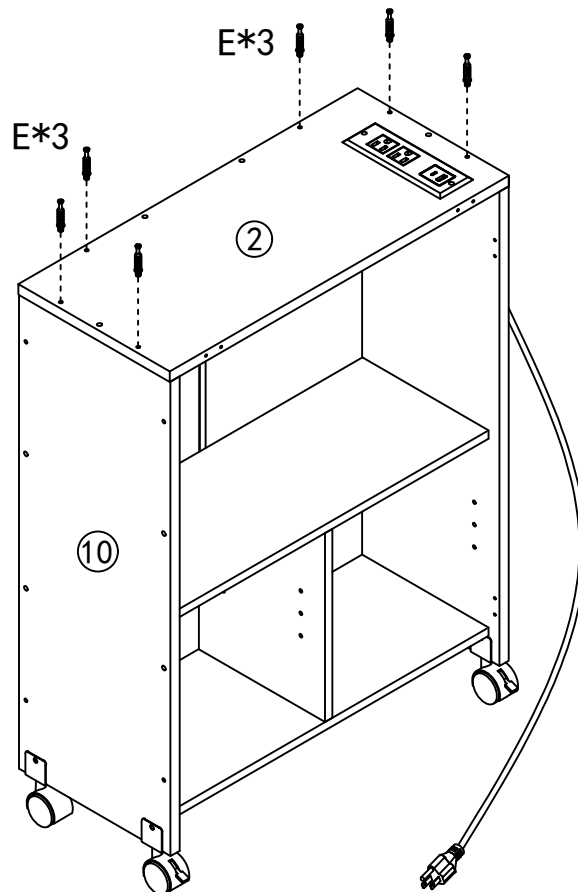
X	 *4
G	 *4

STEP9:



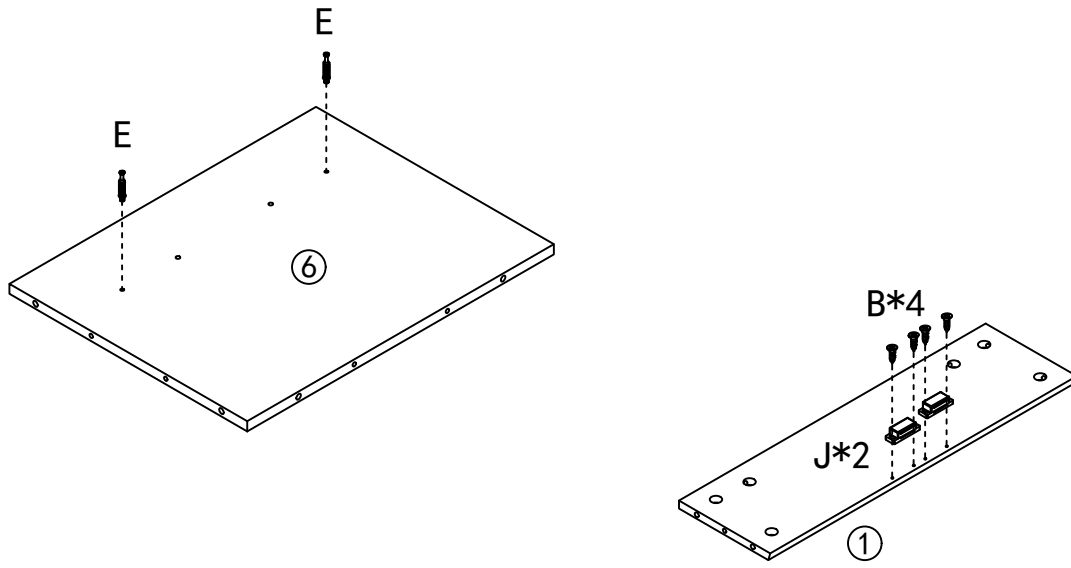
B		*2
R		*1

STEP10:



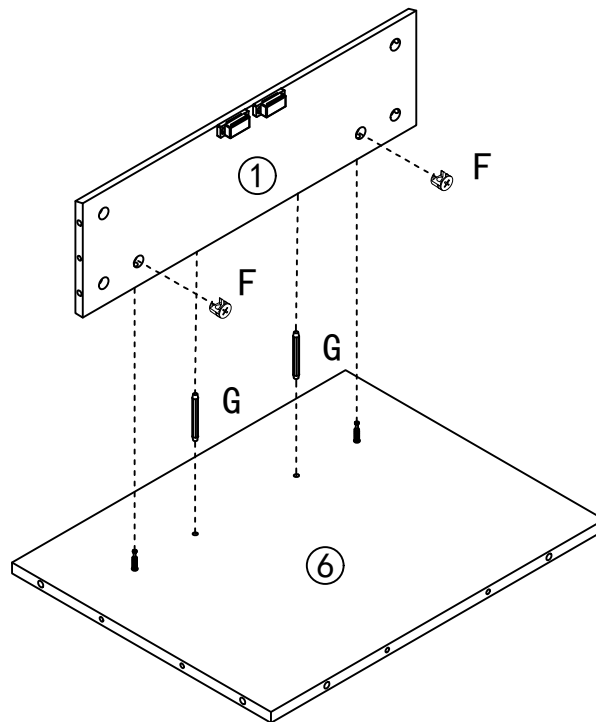
E		*6
---	---	----



# STEP11:



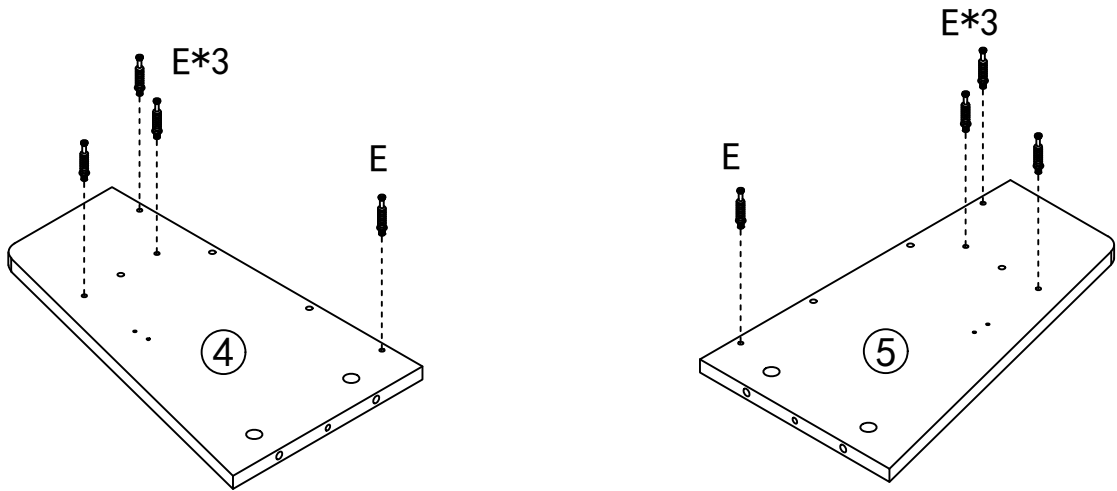
B	 *4	E	 *2	J	 *2
---	--	---	---	---	---

# STEP12:



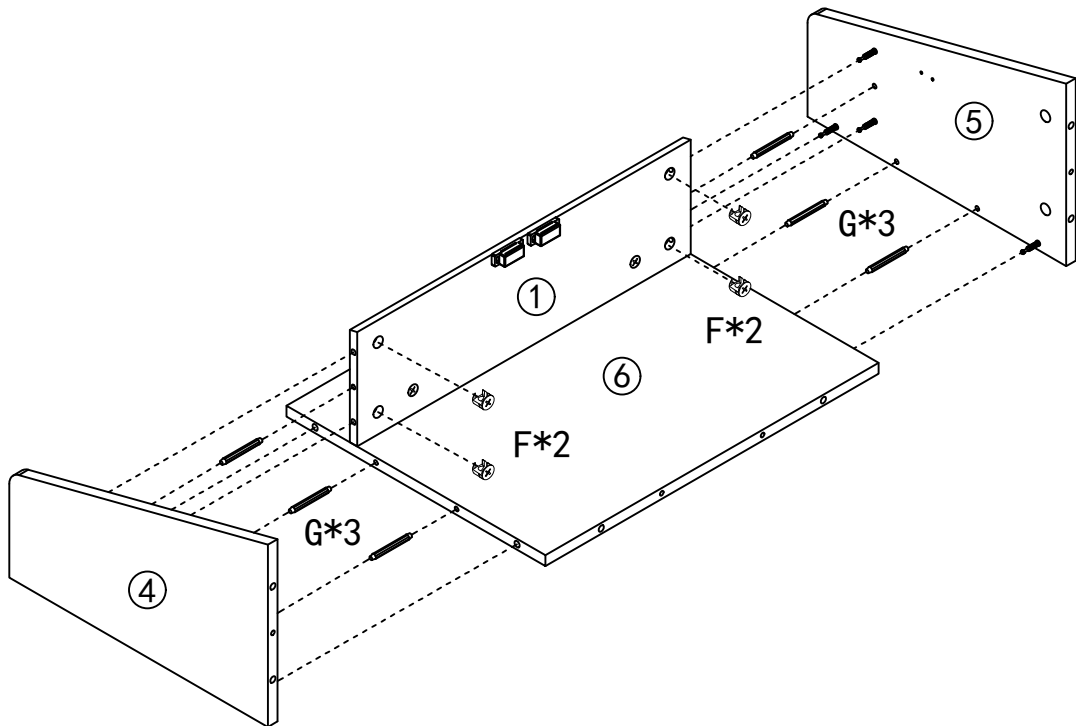
F	 *2	G	 *2
---	--	---	--



# STEP13:



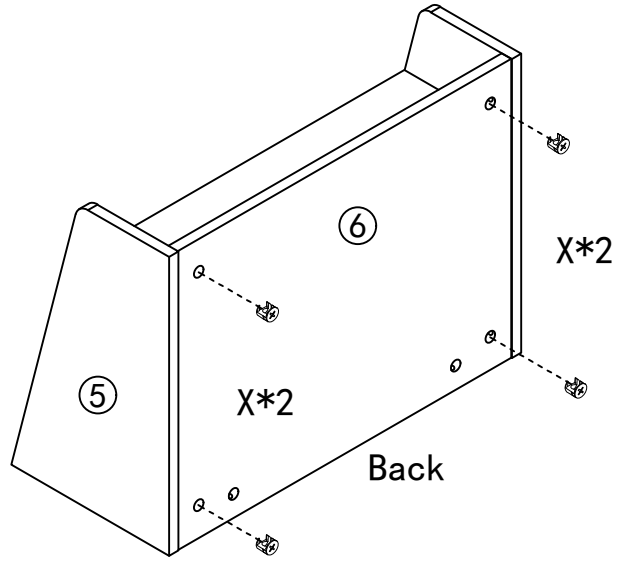
E	 *8
---	--

# STEP14:



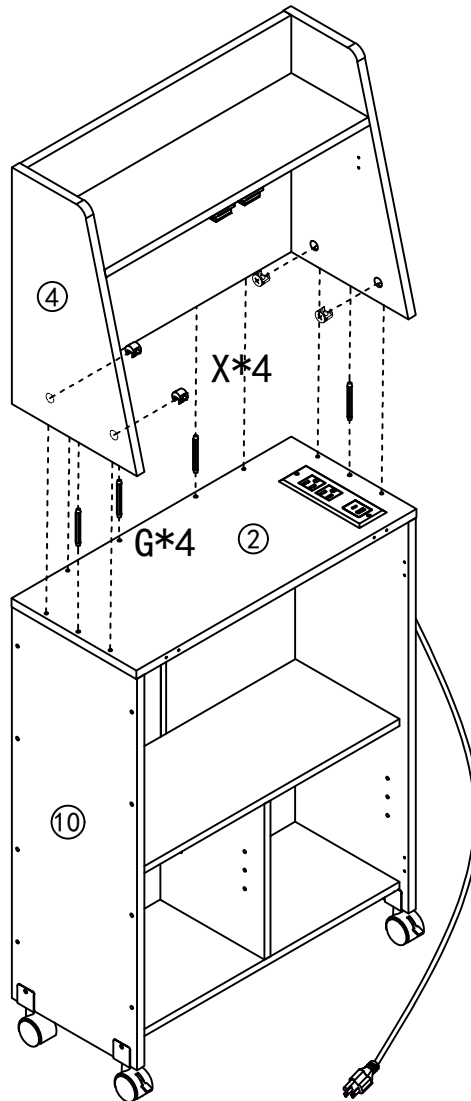
F	 *4	G	 *6
---	--	---	--



# STEP15:



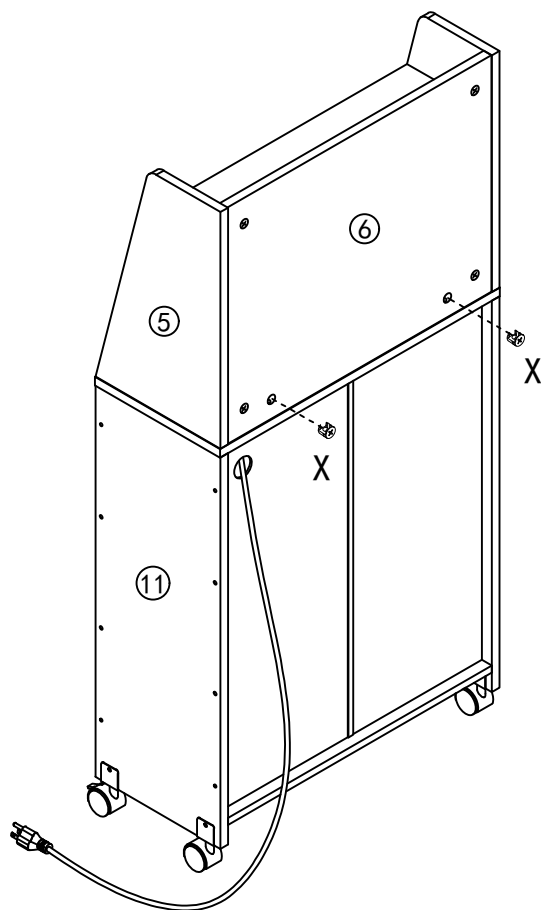
X		*4
---	---	----

# STEP16:



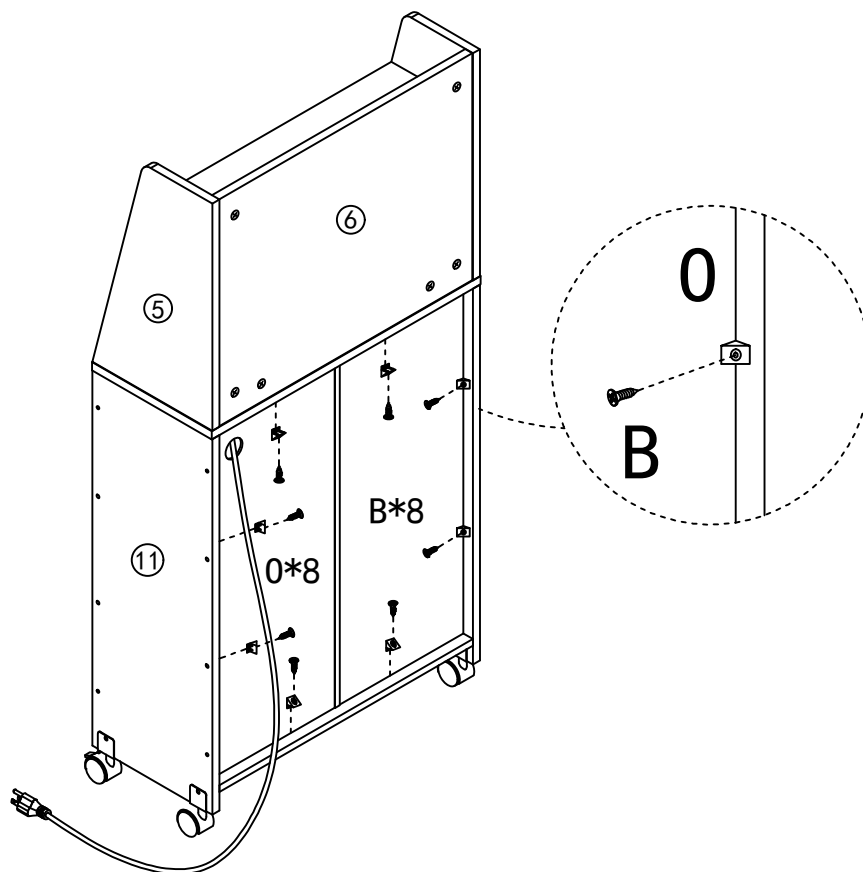
X		*4
G		*6



# STEP17:



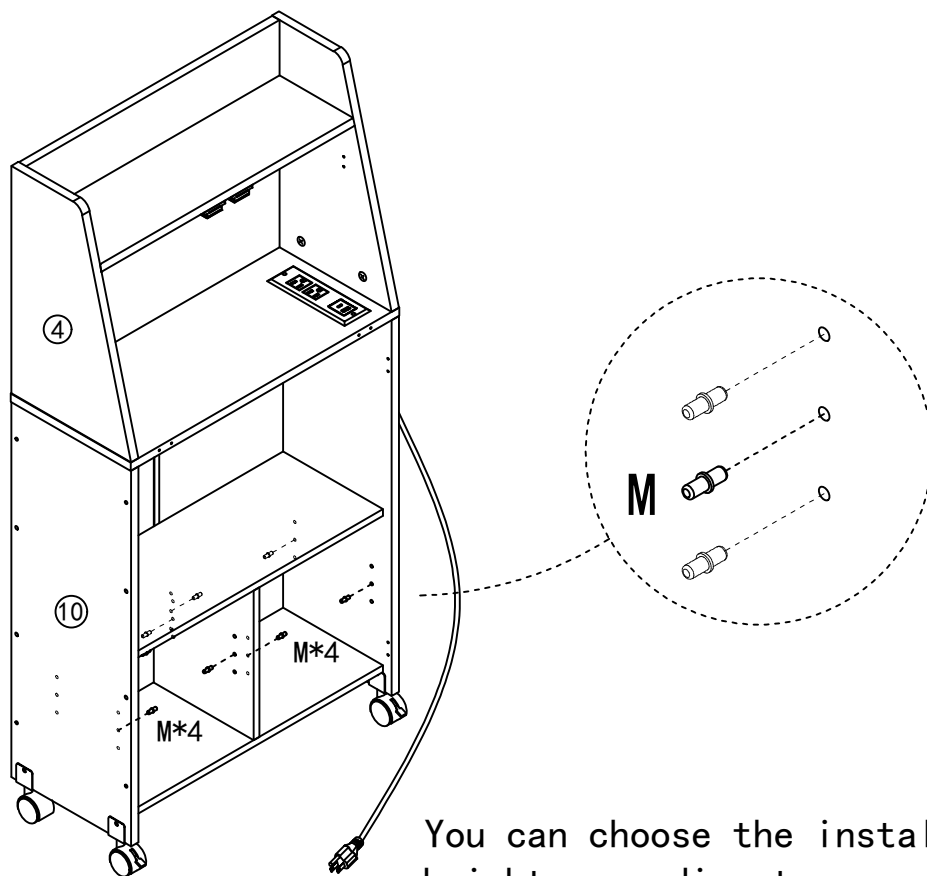
X		*2
---	---	----

# STEP18:



B		*8
O		*8

# STEP19:



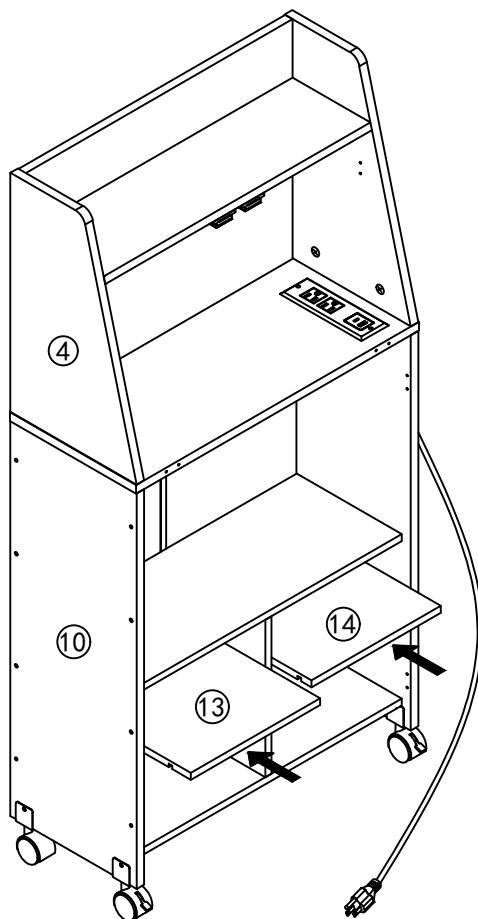
You can choose the installation height according to your needs

M

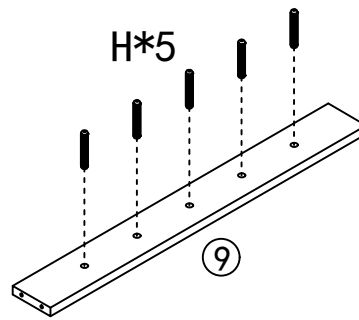
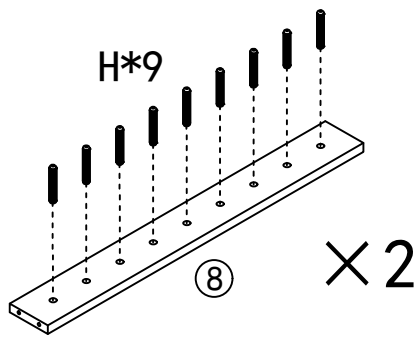


\*8

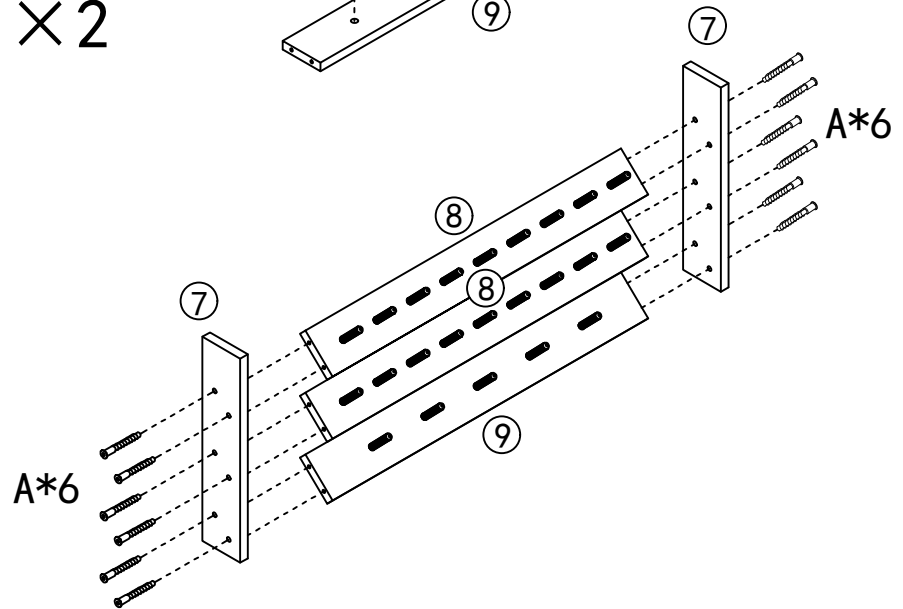
# STEP20:


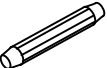


STEP21:

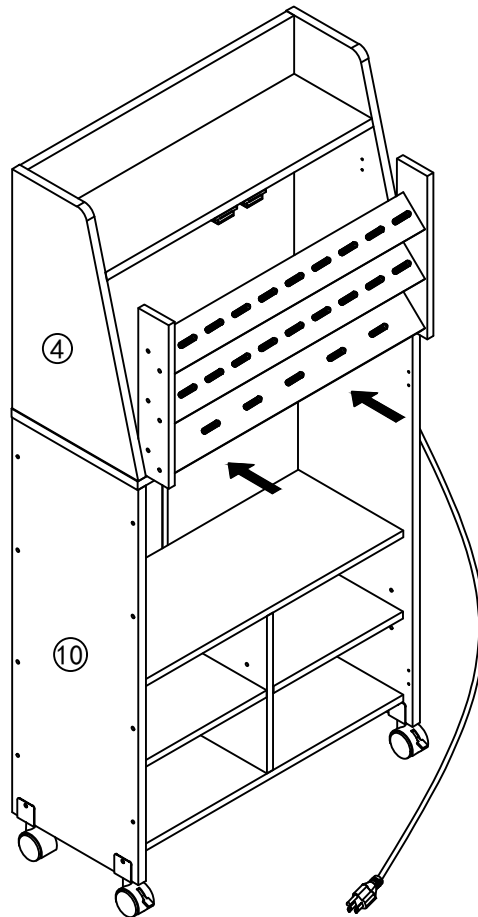


X2

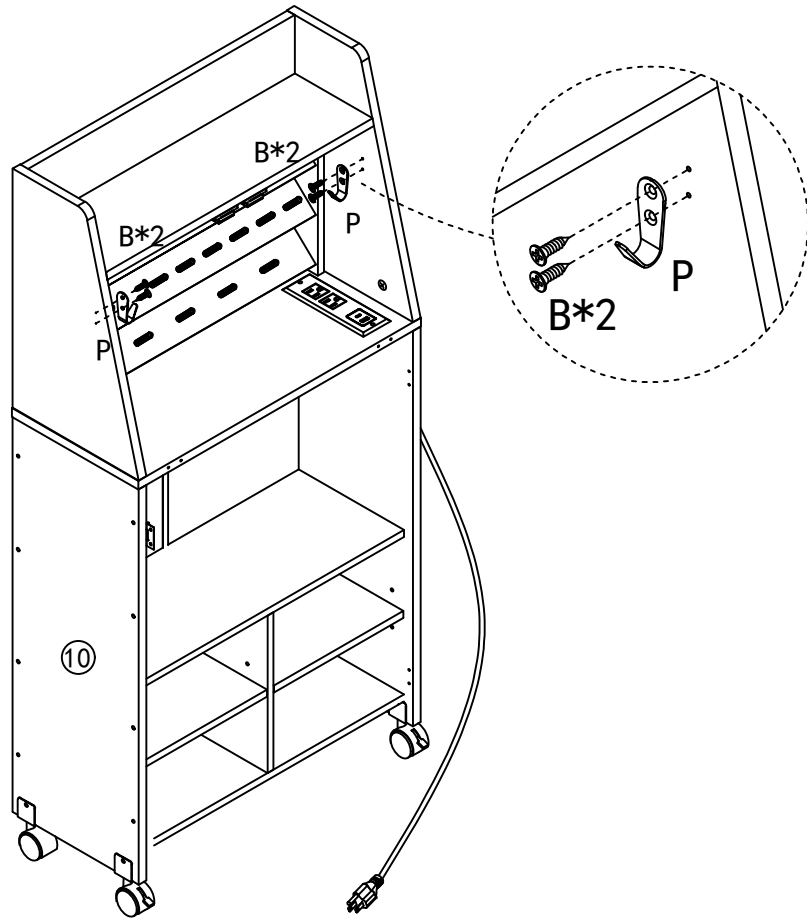




A	 *12
H	 *23

STEP22:

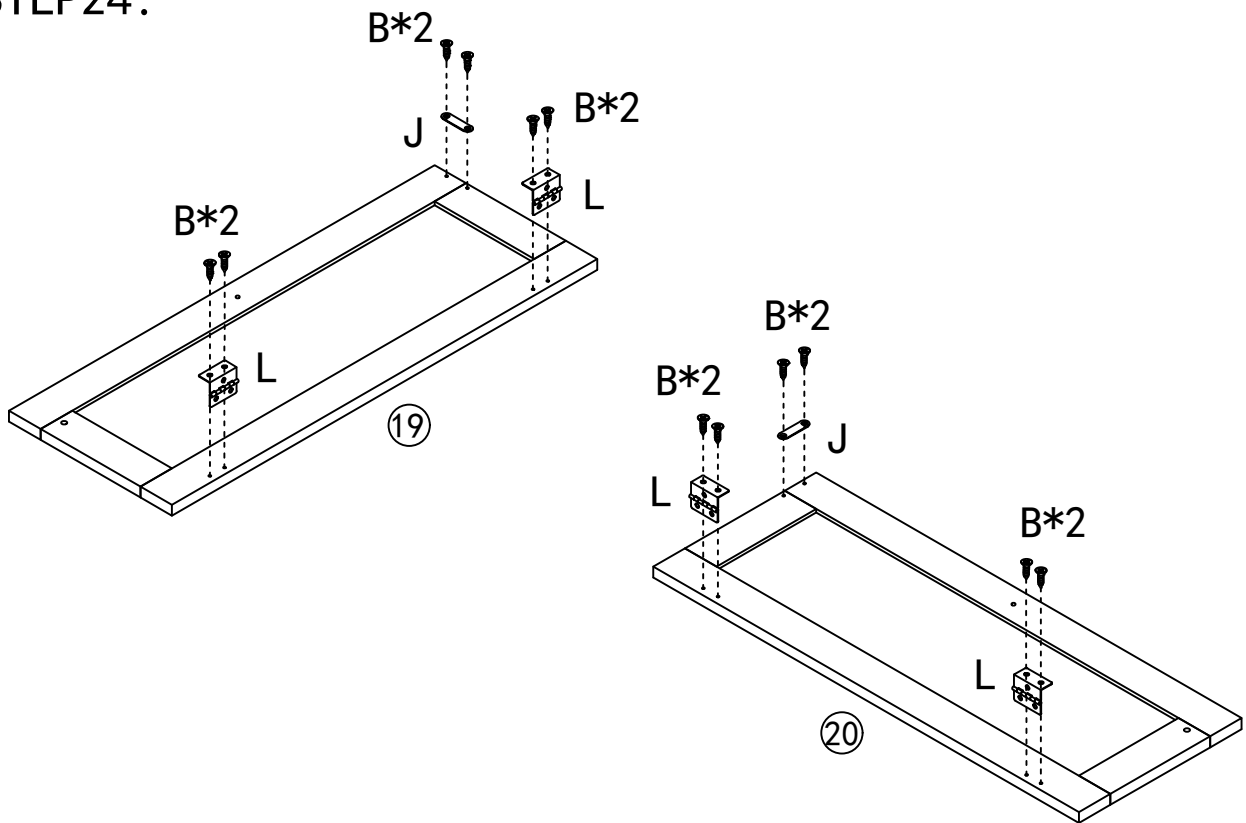



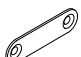

# STEP23:



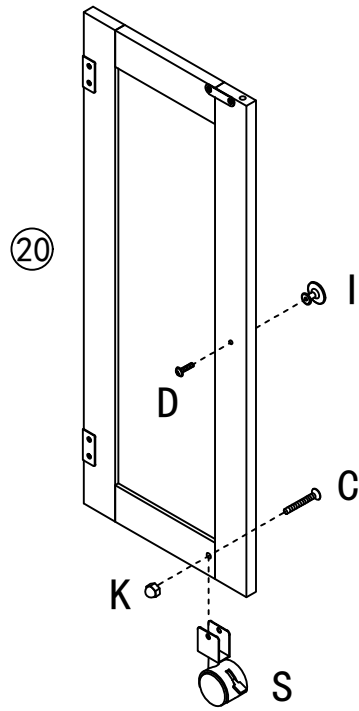
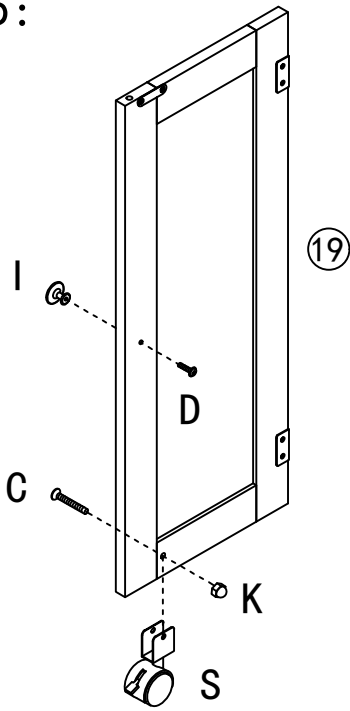
B		*4
P		*2

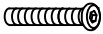




# STEP24:



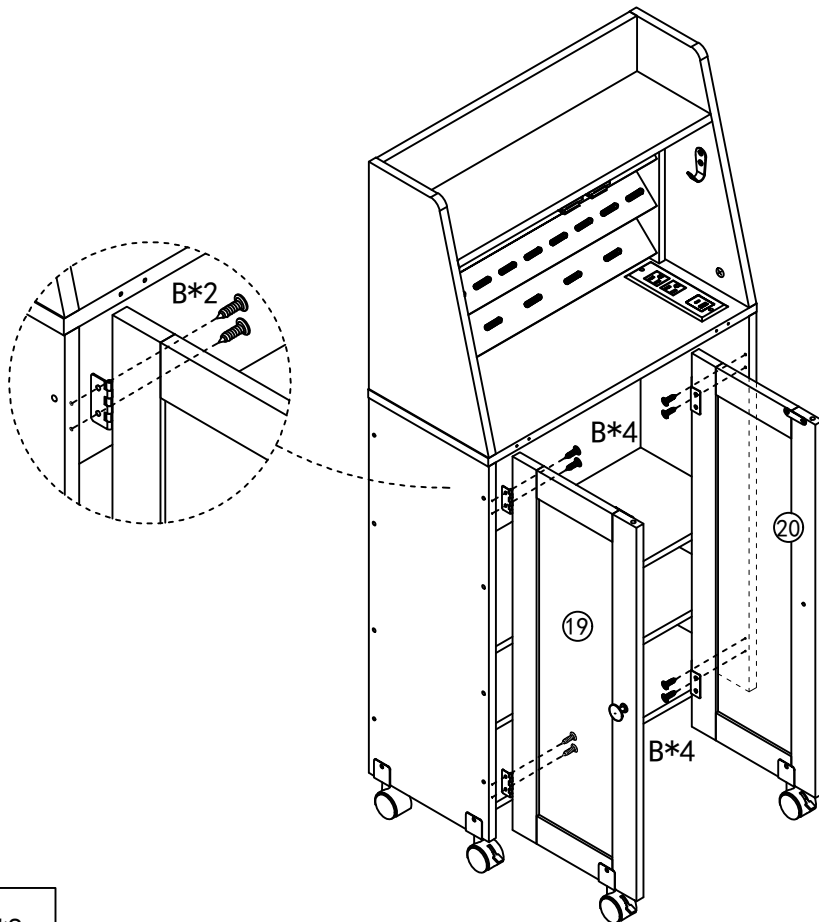
B		*12	J		*2	L		*4
---	---	-----	---	---	----	---	---	----

# STEP25:



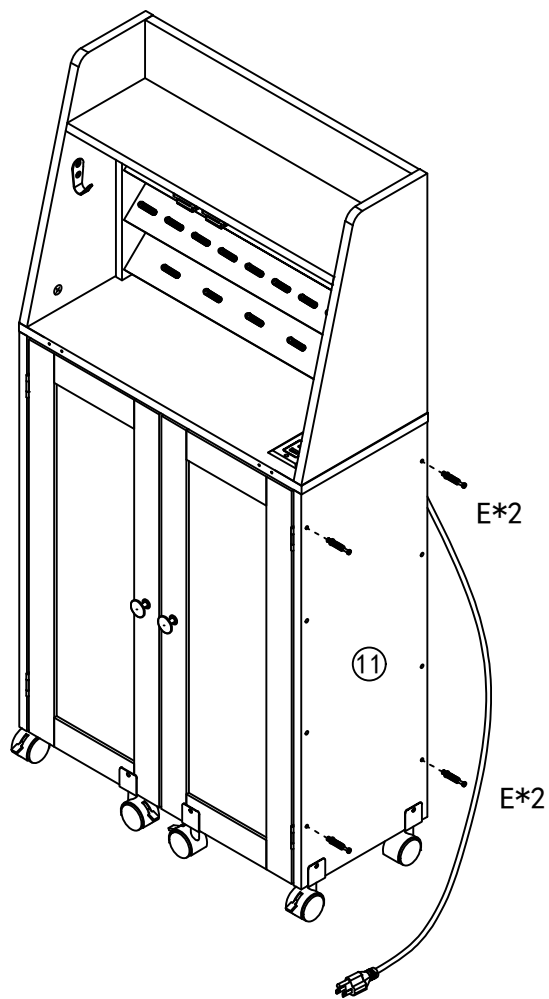
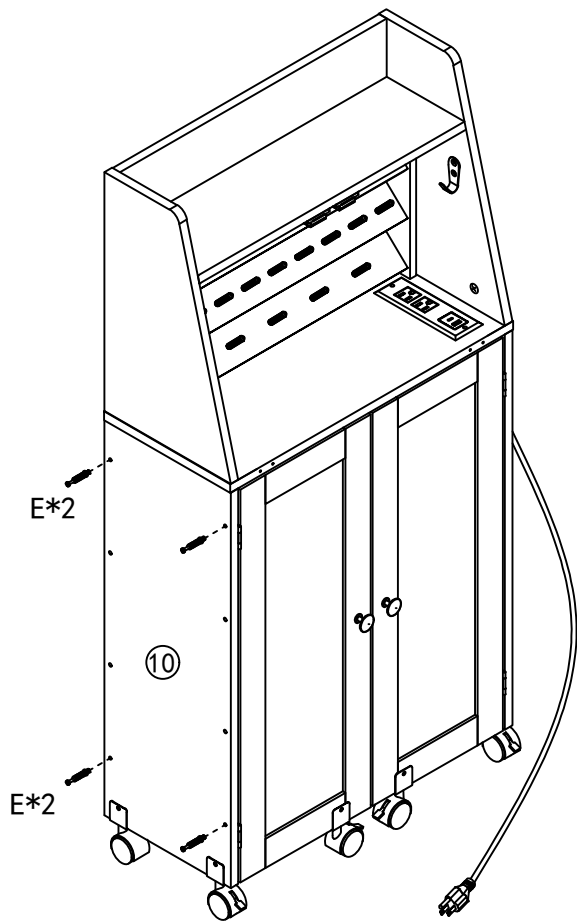
C		*2	D		*2
I		*2	K		*2
			S		*2

# STEP26:



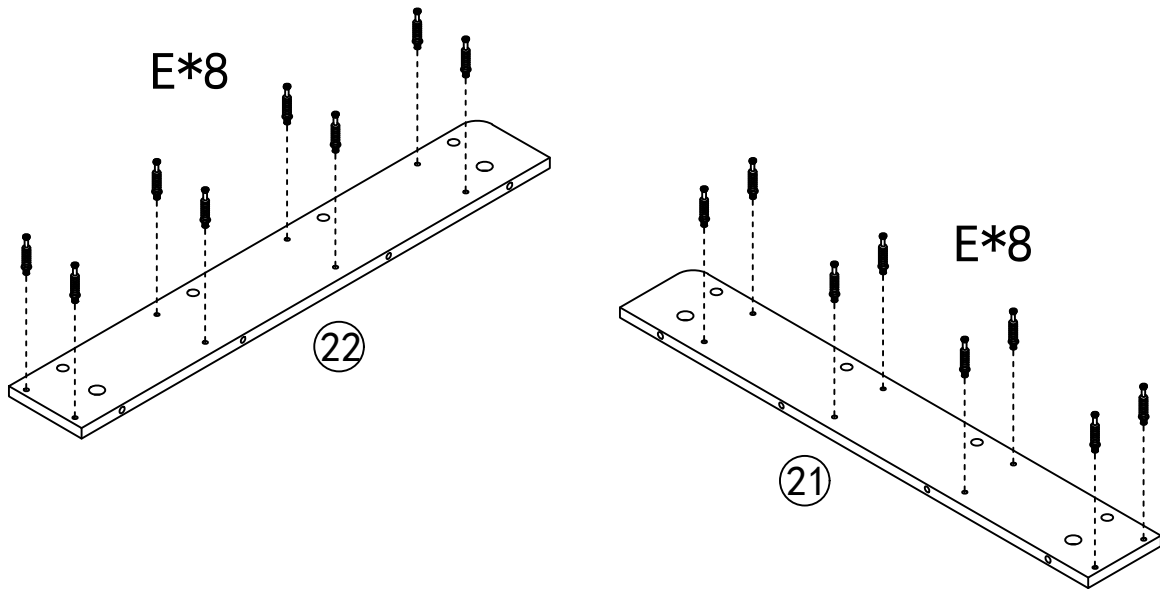
B		*8
---	---	----

STEP27:



E		*8
---	---	----

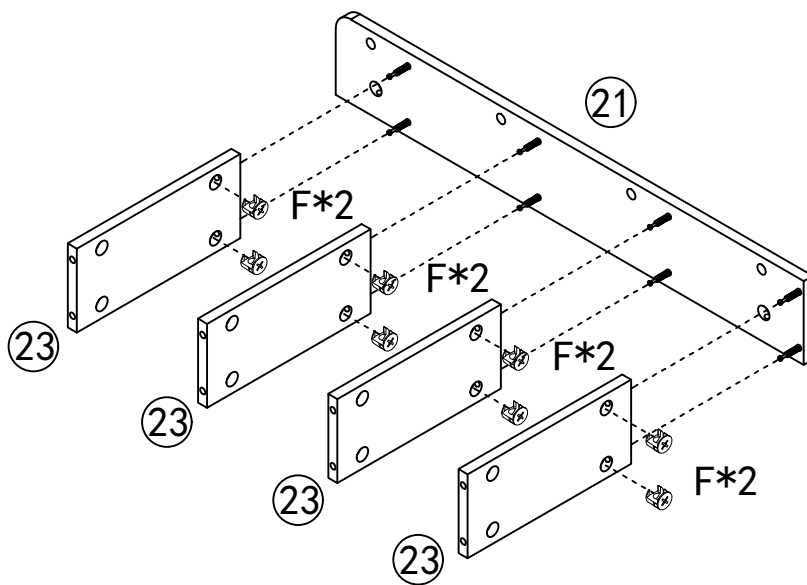
STEP28:



× 2

E		*32
---	---	-----

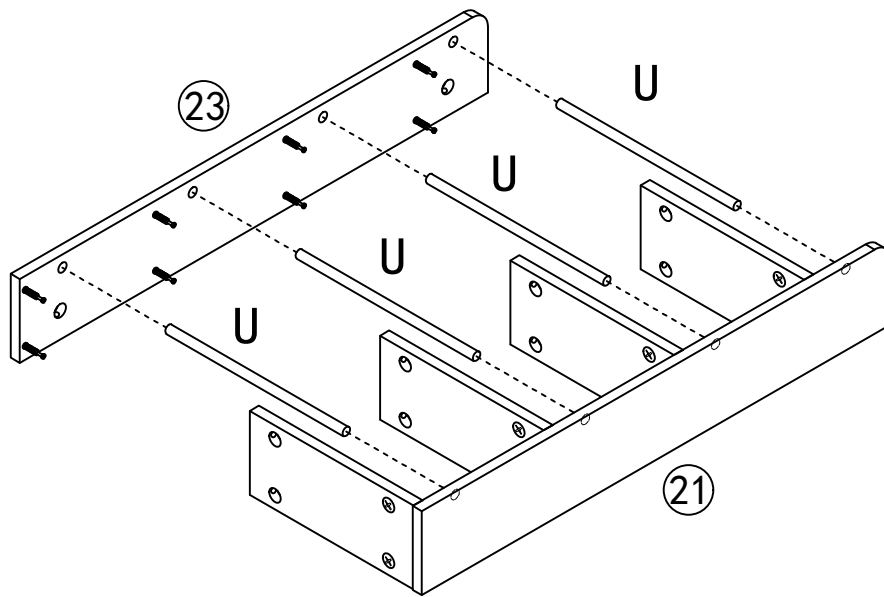
STEP29:



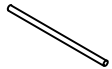
× 2

F		*16
---	---	-----

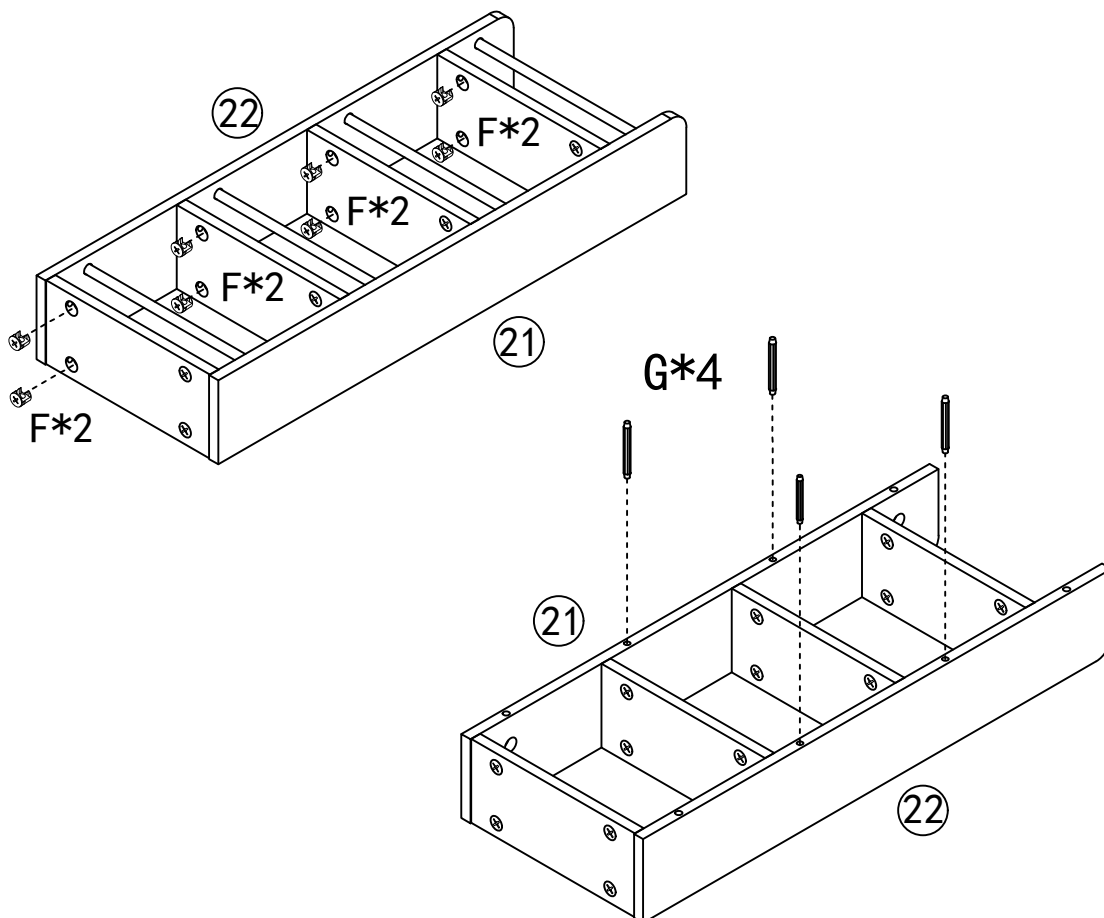
STEP30:





× 2

U		*8
---	---	----

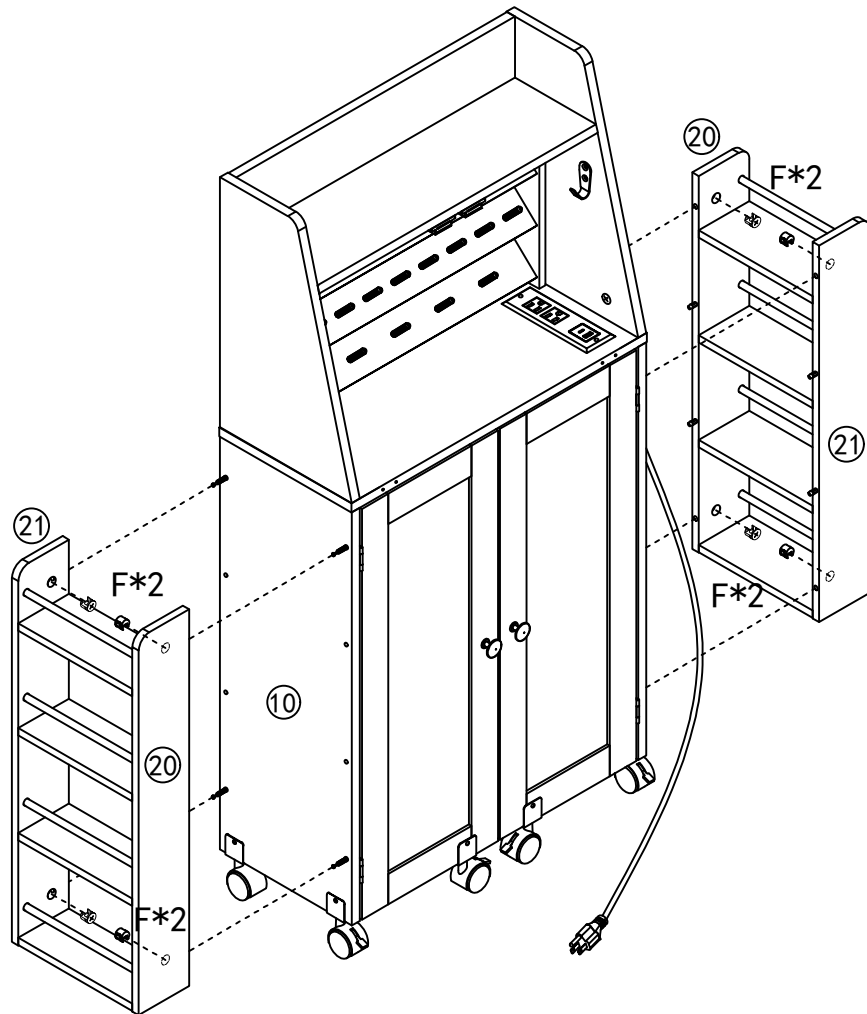
STEP31:



× 2

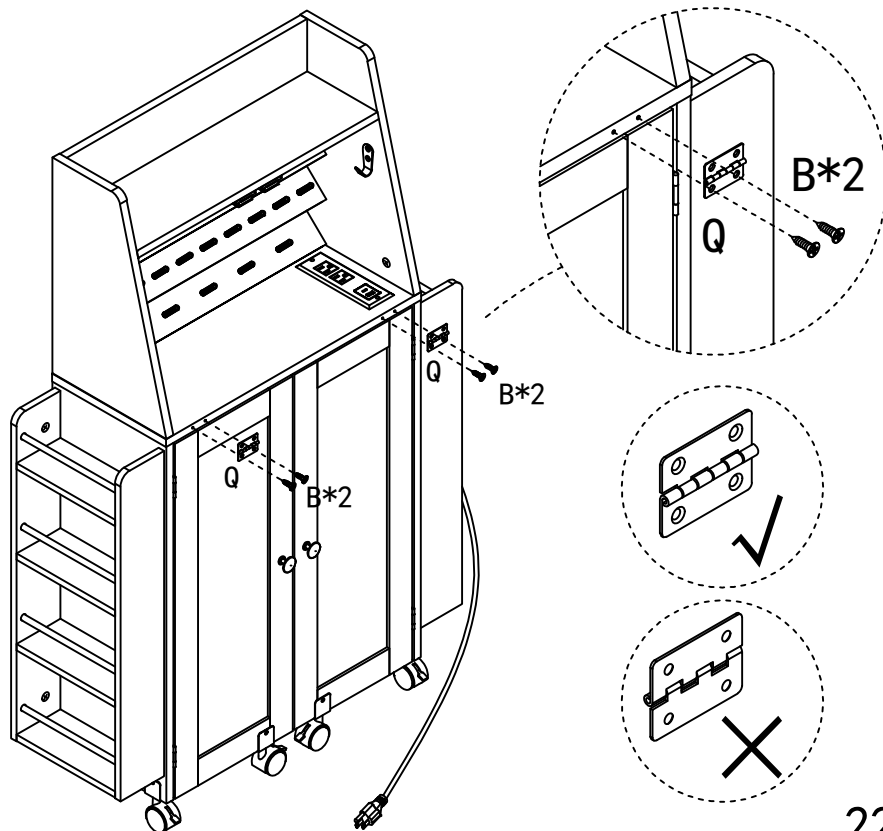
F		*16	G		*8
---	---	-----	---	---	----



# STEP32:



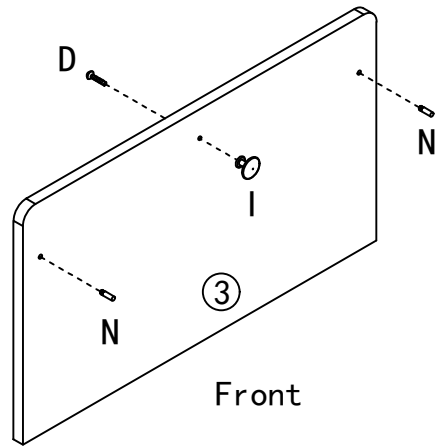
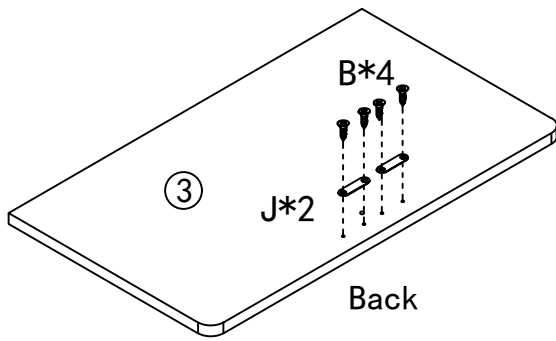
F		*8
---	---	----


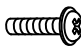



# STEP33:



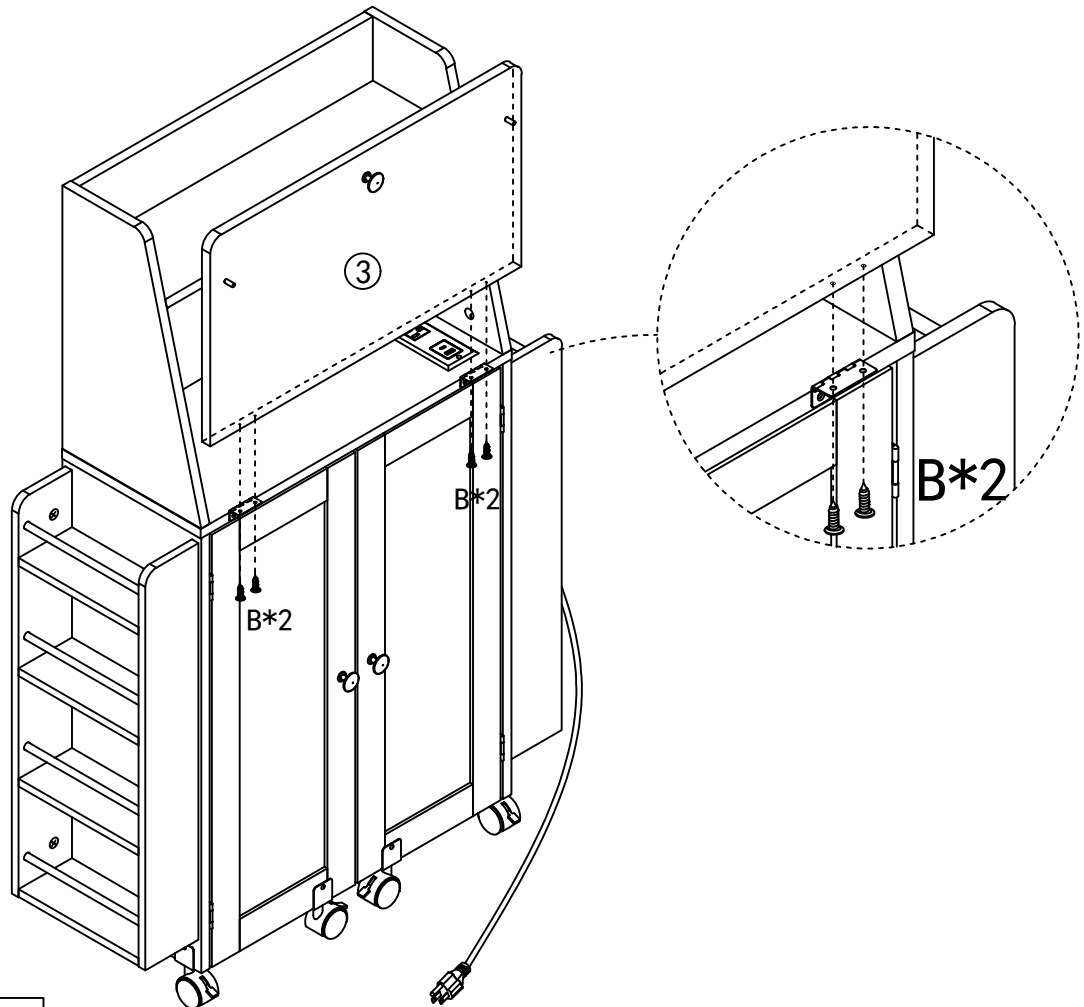
B		*4
Q		*2


# STEP34:



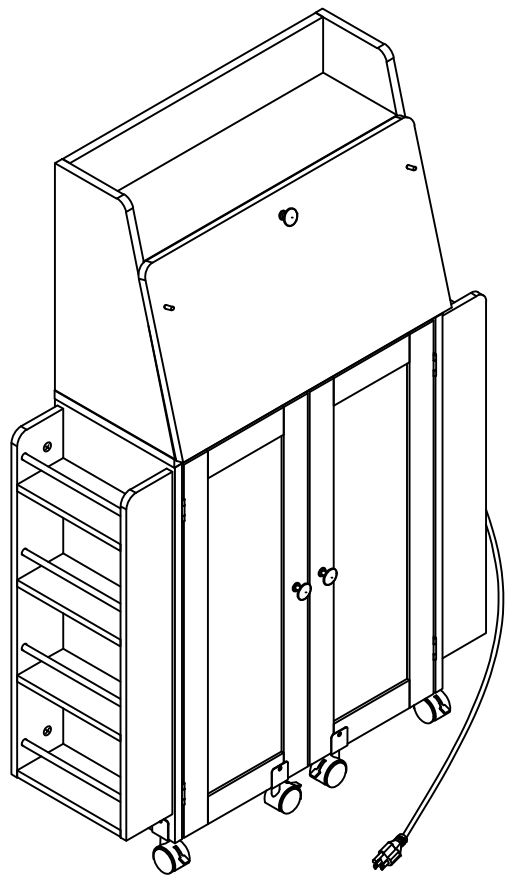
B		*4									
D		*1	I		*1	N		*2	J		*2

# STEP35:

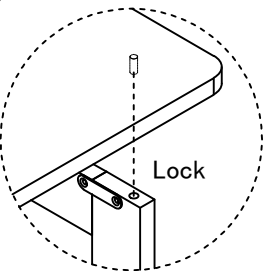
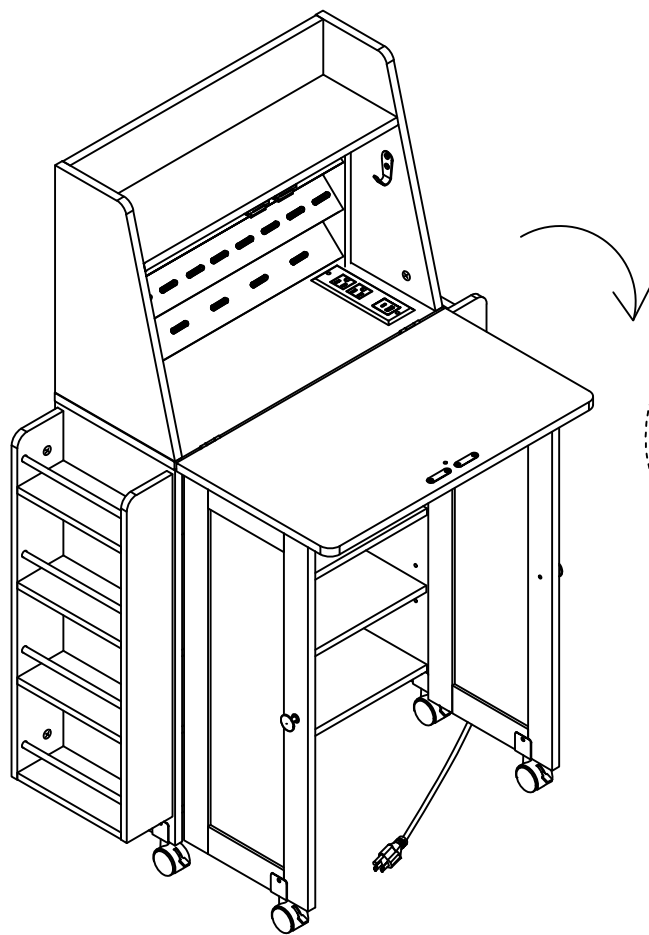


B		*4
---	---	----

**STEP36:**



**Close**



**Open**