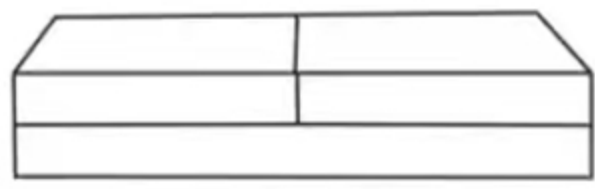
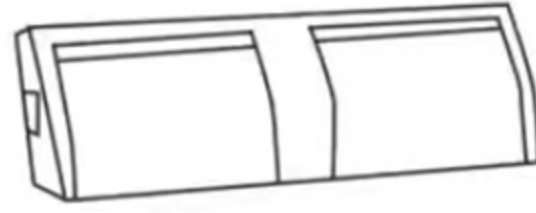


ASSEMBLY INSTRUCTION

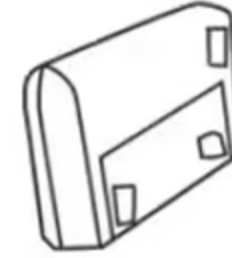
LG-6012-LOVESEAT



A*1



B*1



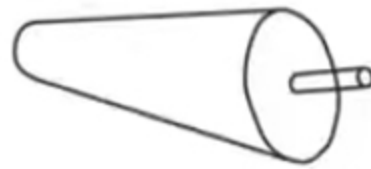
C*1 LEFT



C*1 RIGHT



D*2



E*2

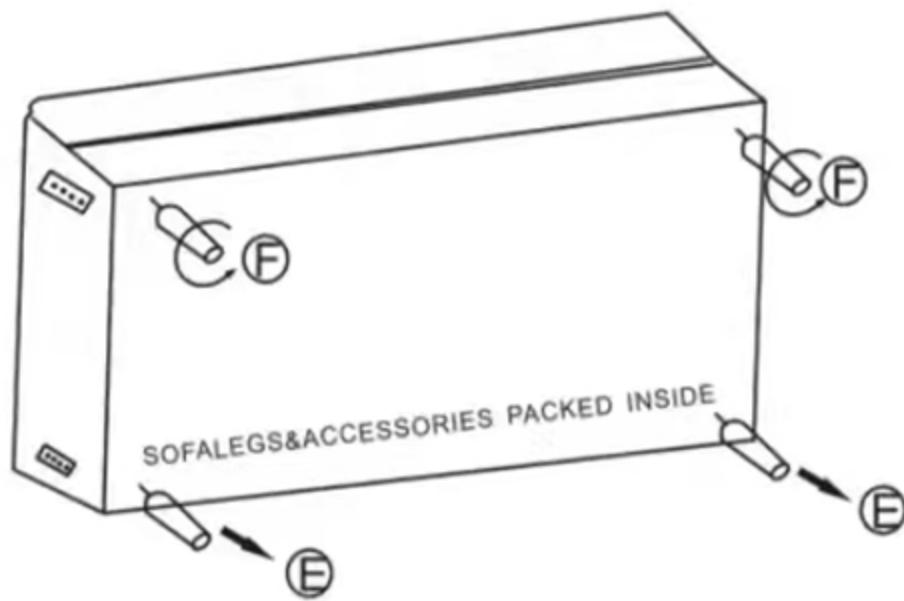


F*2

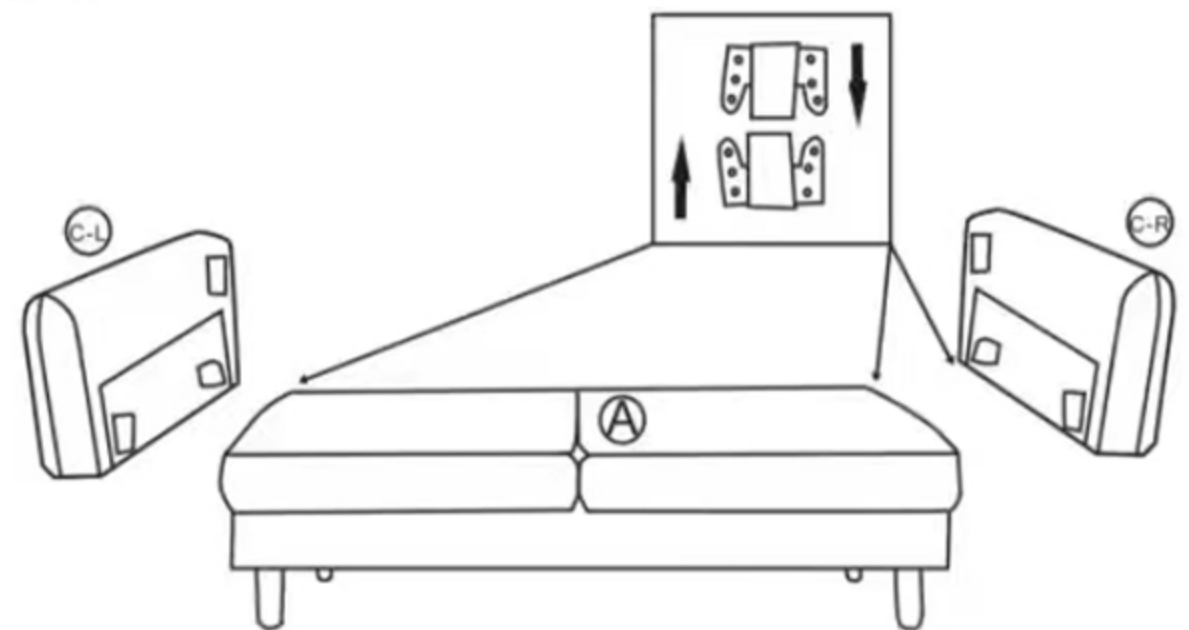


I*4

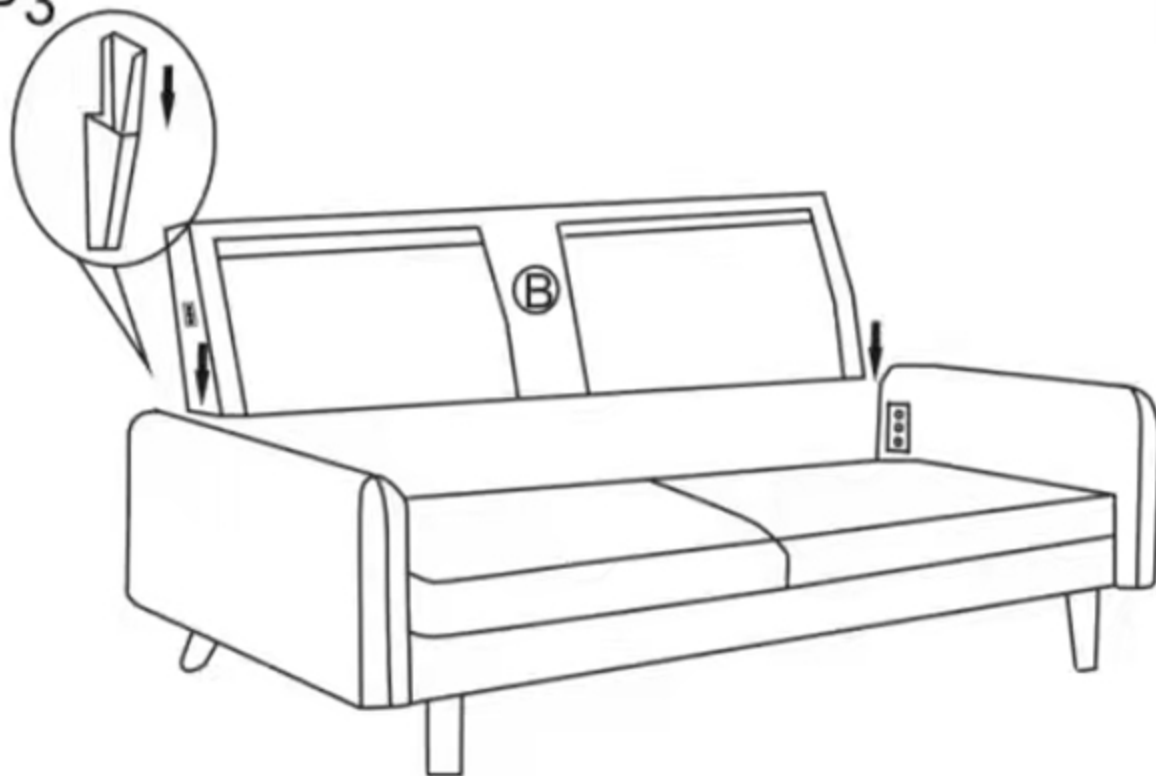
STEP1



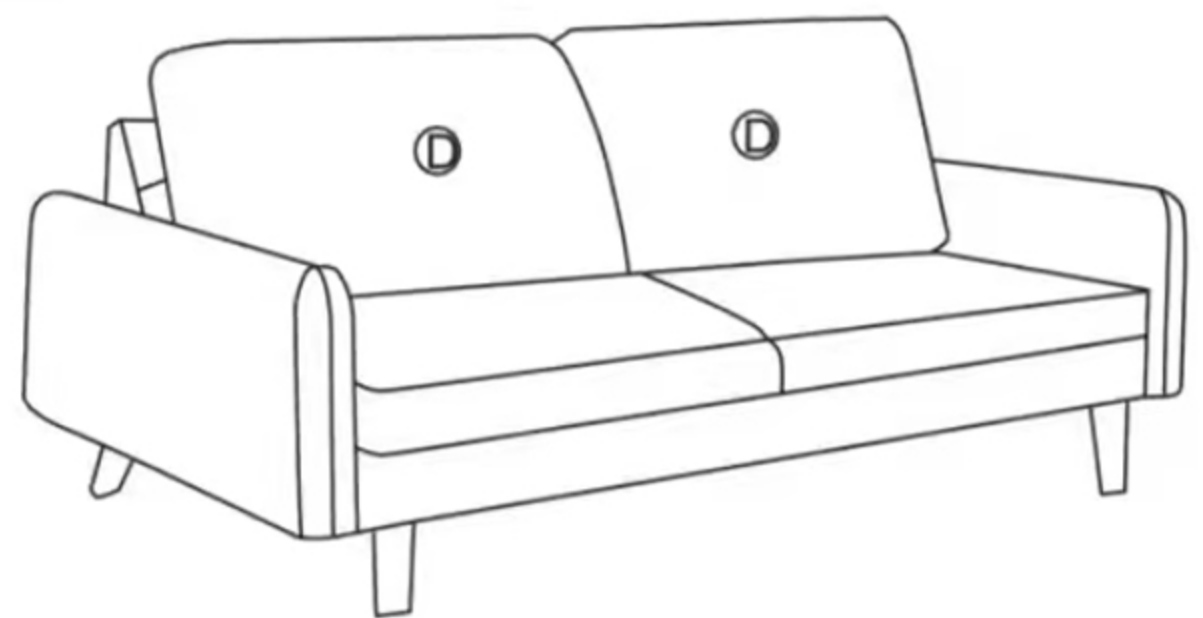
STEP2



STEP3

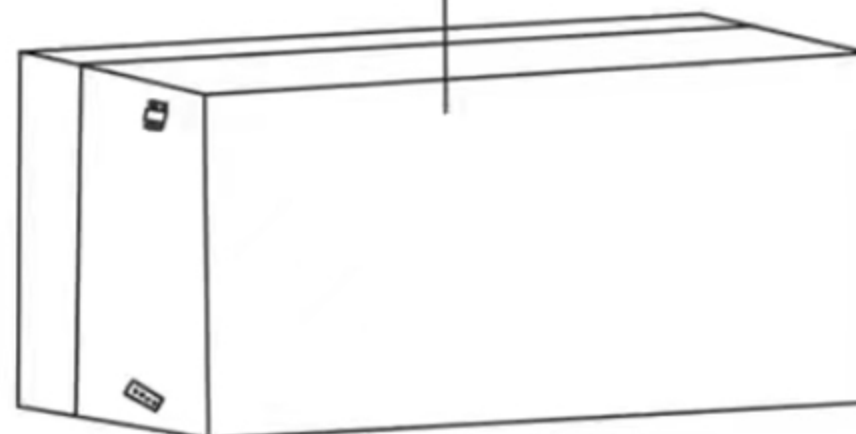


STEP4



KINDLY REMINDER

D*2. E*2. F*2. I*4
PACKED IN LOVESEAT



CAREFULLY UNPACK AND PLACE THE LOVESEAT BODY(A) ON A CLEAN FLAT SURFACE TO SHOW THE BASE AS SHOWN.

UNPACK PARTS FROM THE STORAGE COMPARTMENT