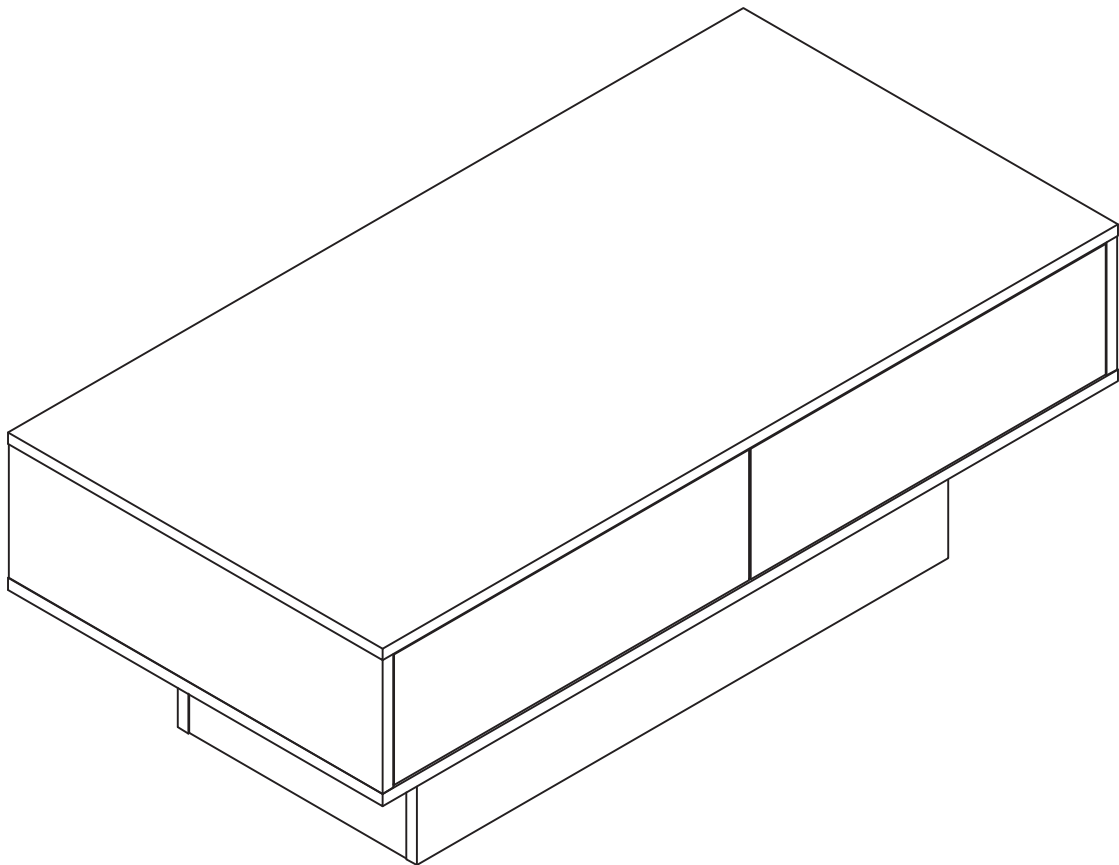


Assembly Instructions

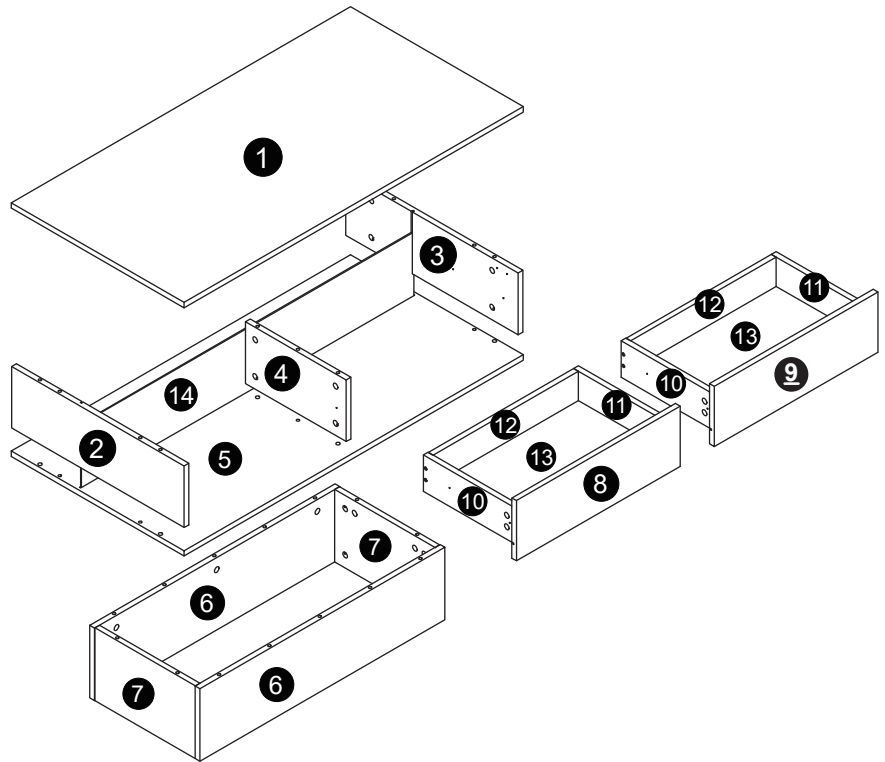
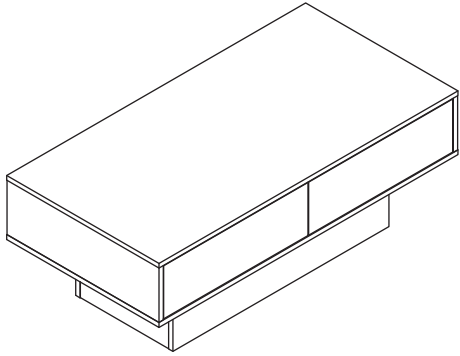
Decorate your home, Brighten wonderful life




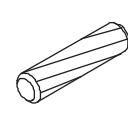
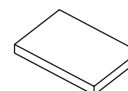
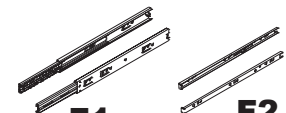
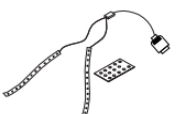


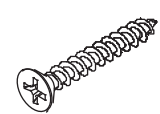

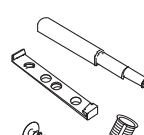

Part List



Open the package, and put the item on the mat with care. Please install it carefully to ensure your fingers will not be scratched.

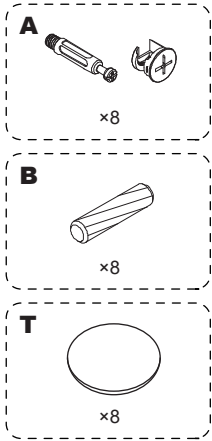


Hardware List

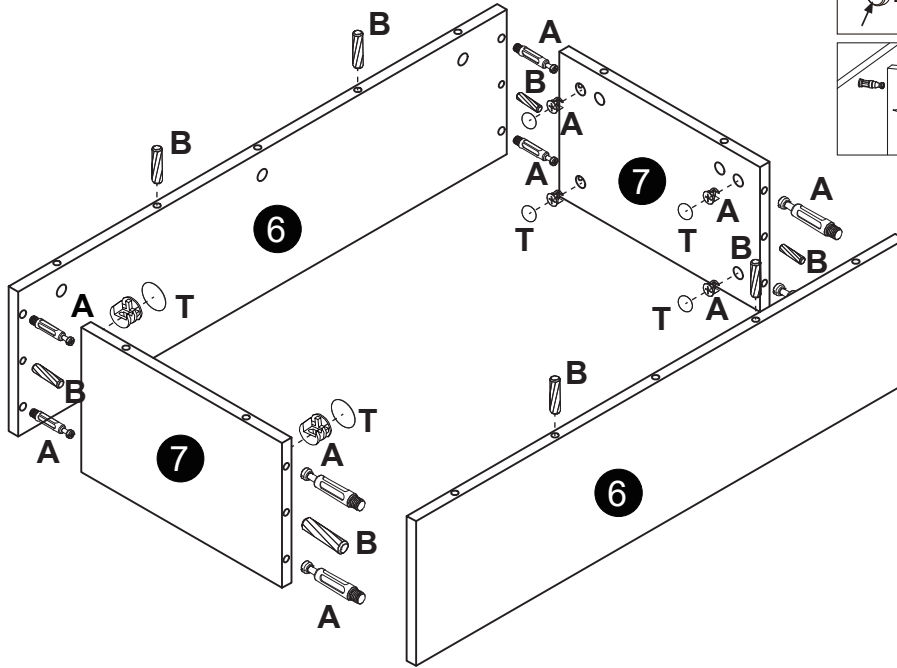
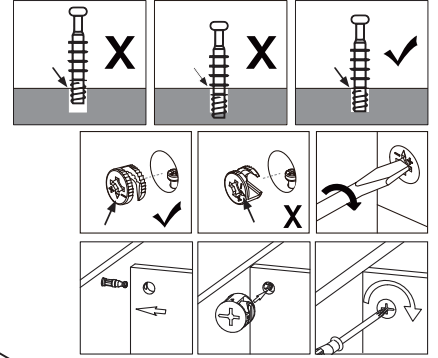
<p>A</p>  <p>M6*40mm φ15*12mm ×38 (+1)</p>	<p>B</p>  <p>M8*30mm ×18 (+1)</p>	<p>E</p>  <p>×4</p>	<p>F</p>  <p>F1 F2 ×2</p>
<p>K</p>  <p>220cm ×1</p>	<p>L</p>  <p>×9</p>	<p>M</p>  <p>M3.5*14mm ×20 (+1)</p>	<p>V</p>  <p>M3.5*30mm ×8 (+1)</p>
<p>T</p>  <p>×38 (+1)</p>	<p>W</p>  <p>×2</p>	<p>Extra white cam</p>  <p>×2</p>	

Start...

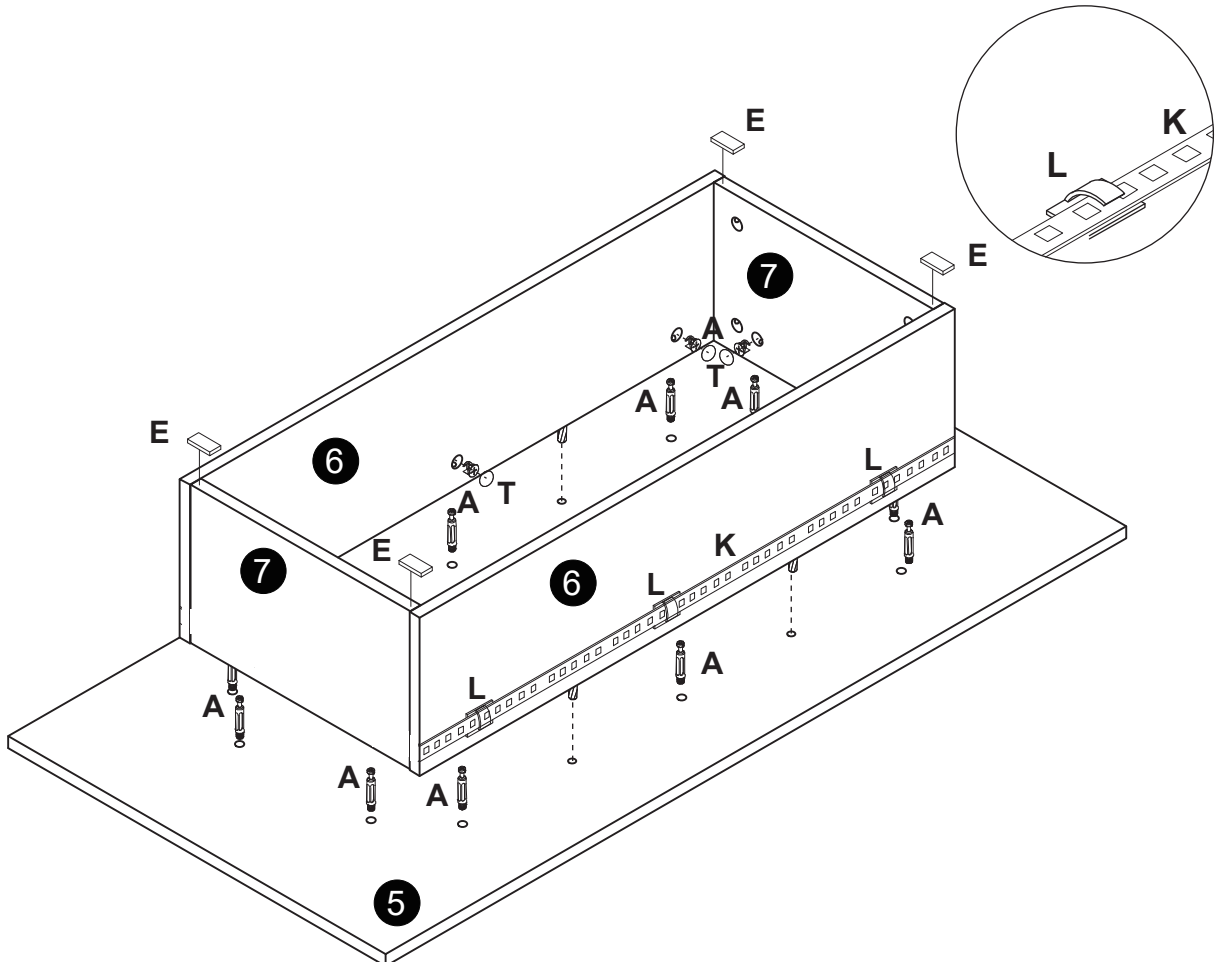
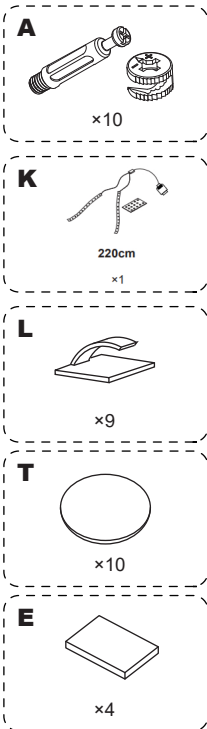
Step 1



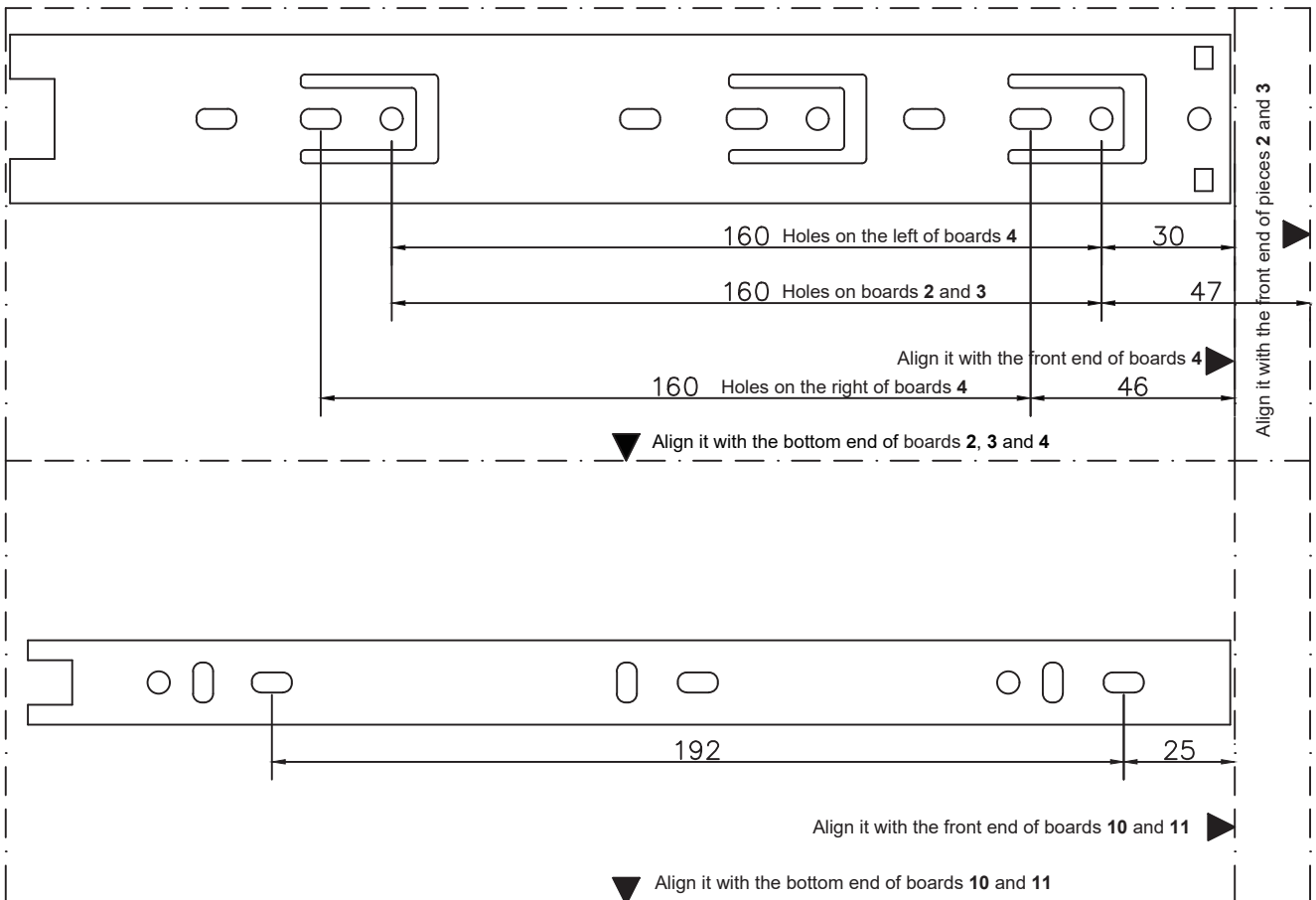
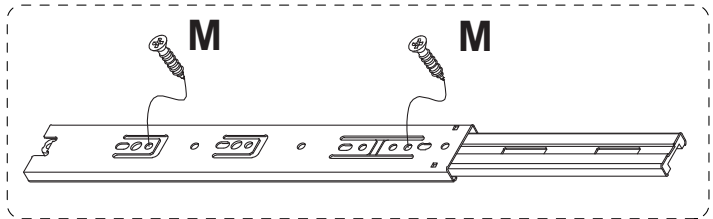
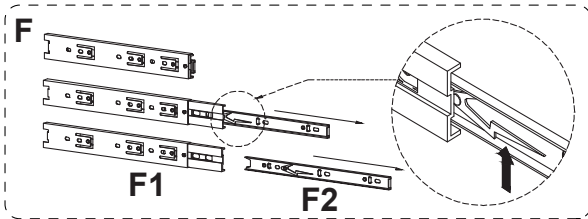
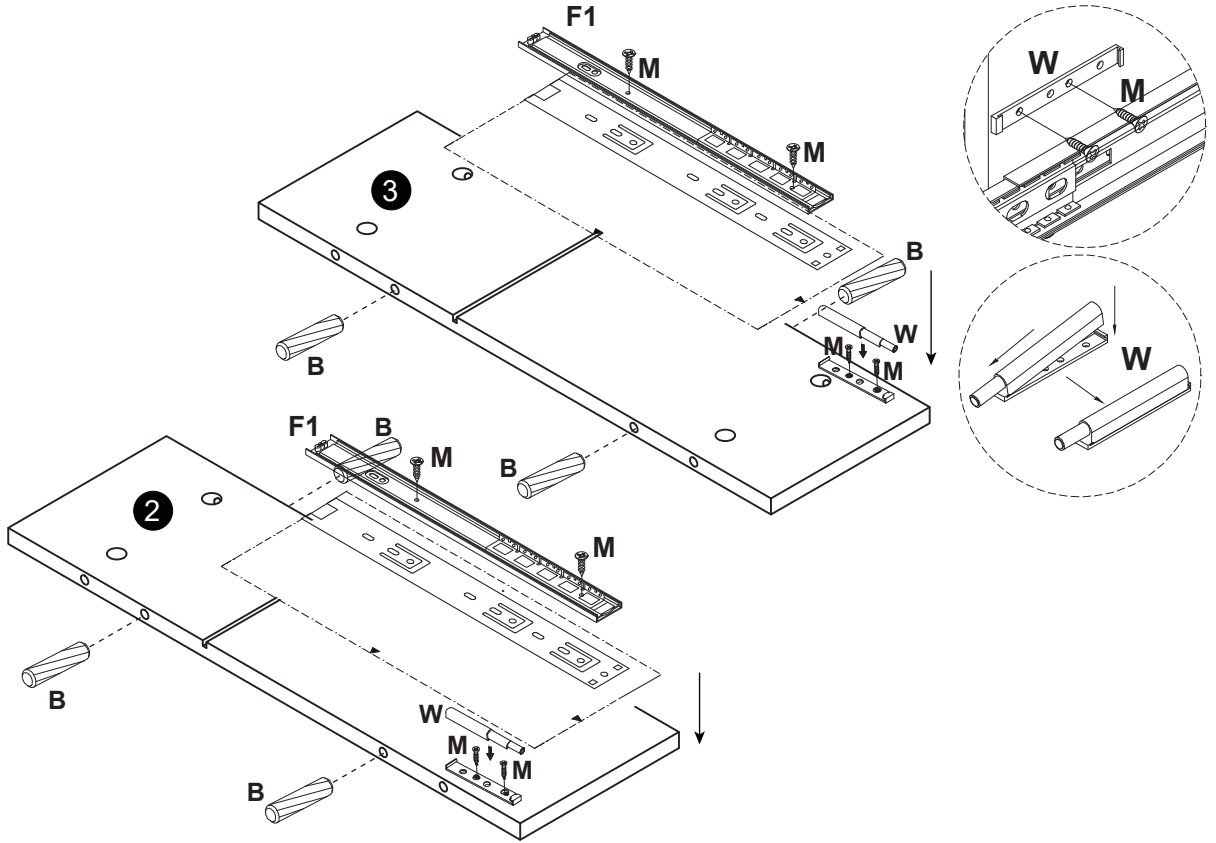
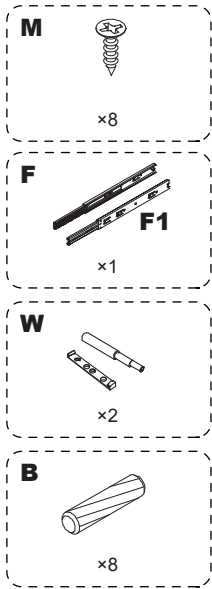
Installation method of three in one bolt and lock



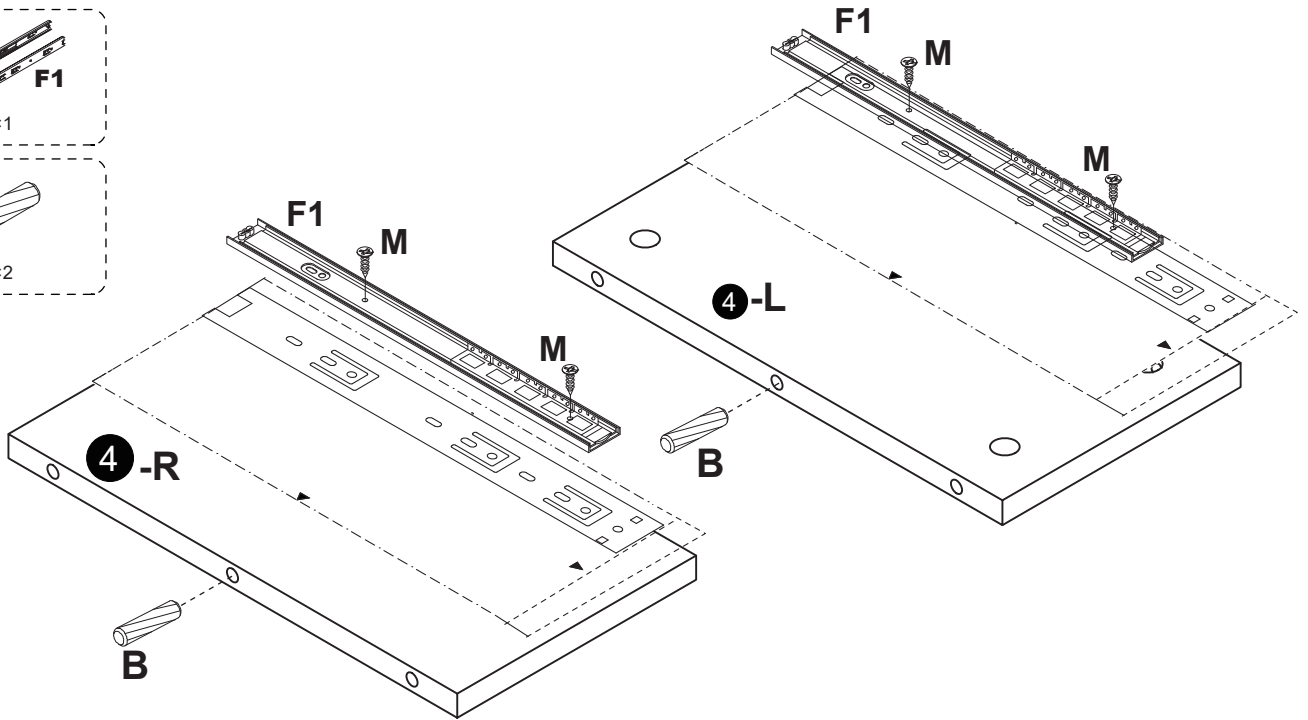
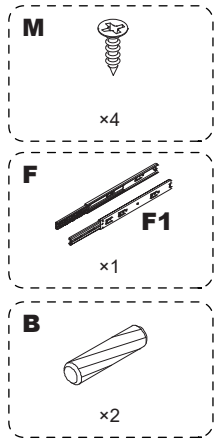
Step 2



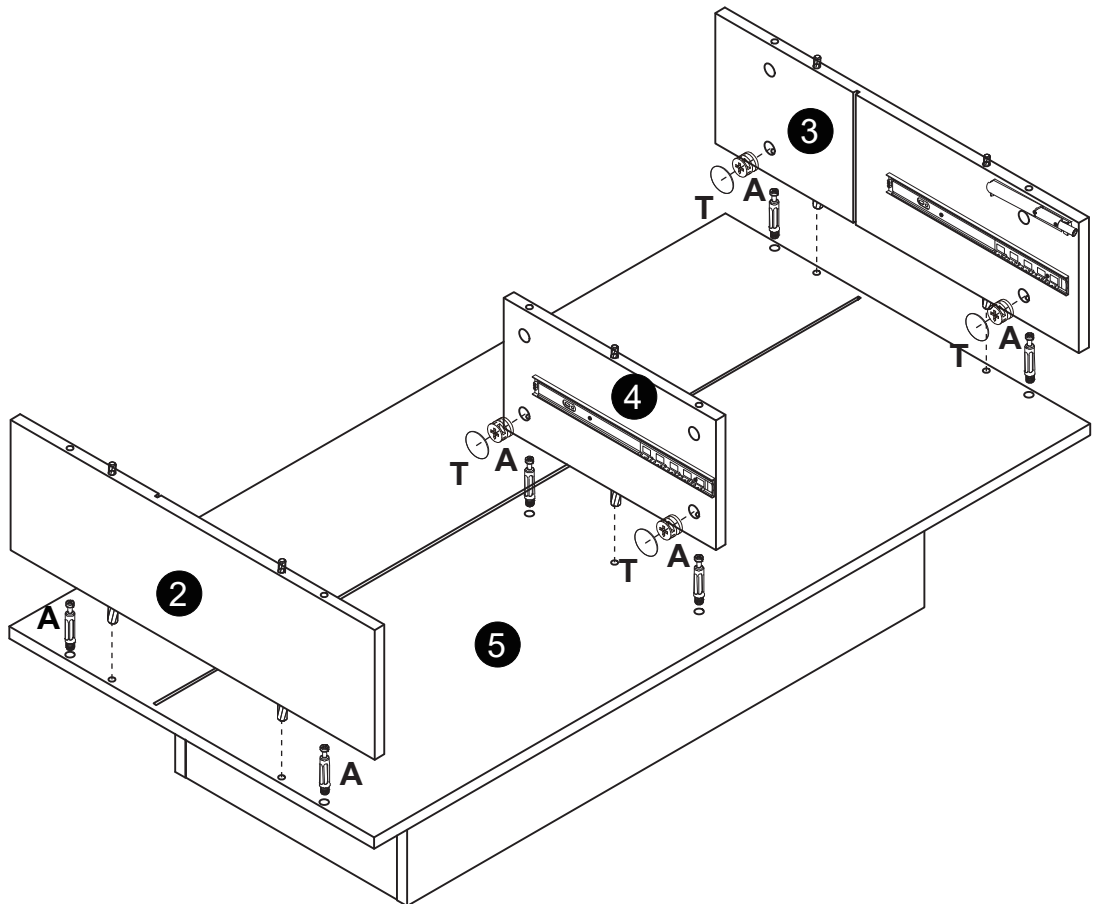
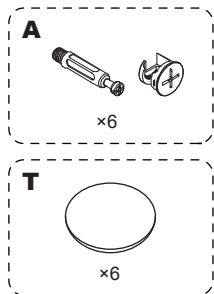
Step 3



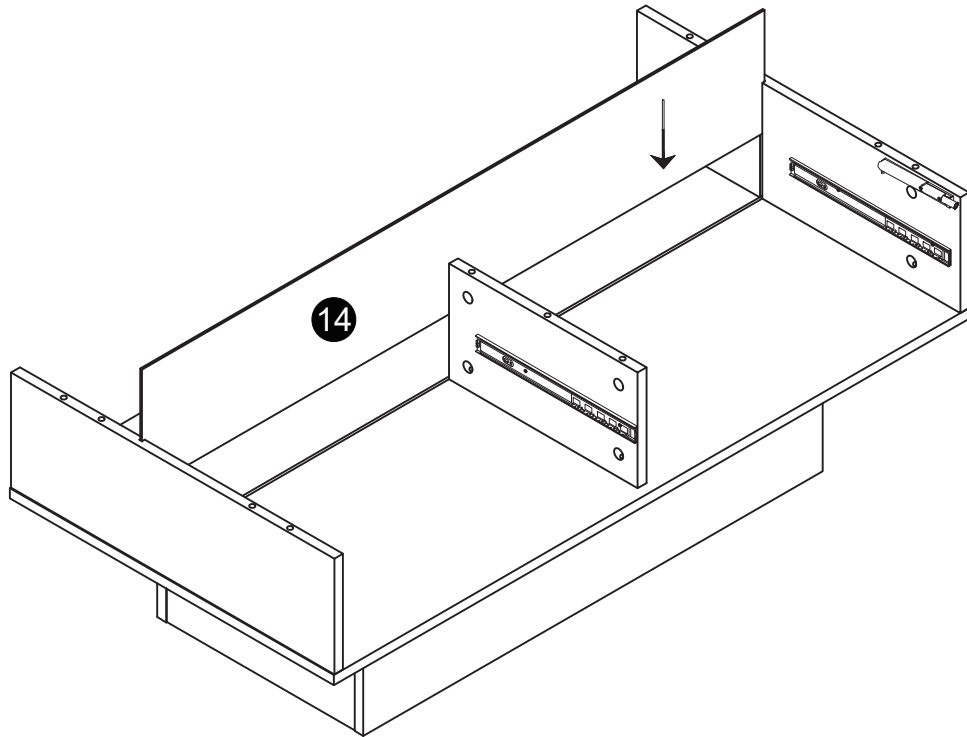
Step 4



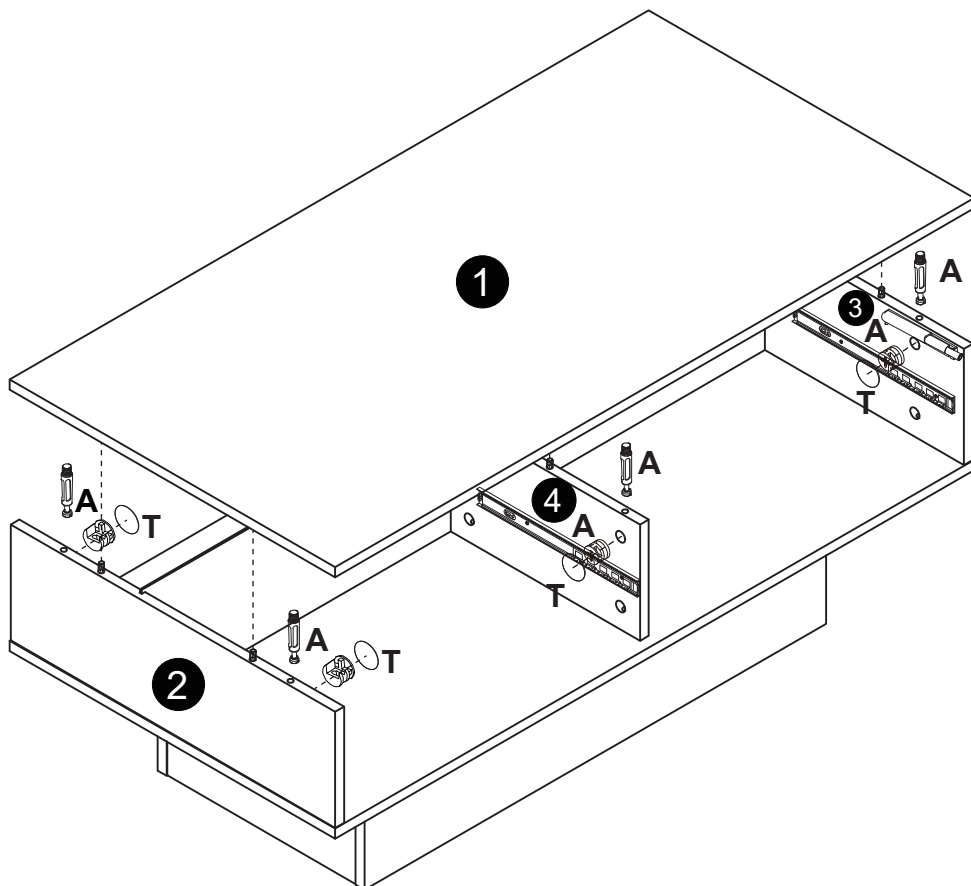
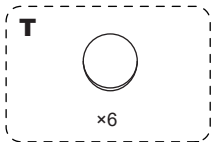
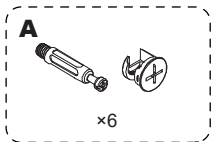
Step 5



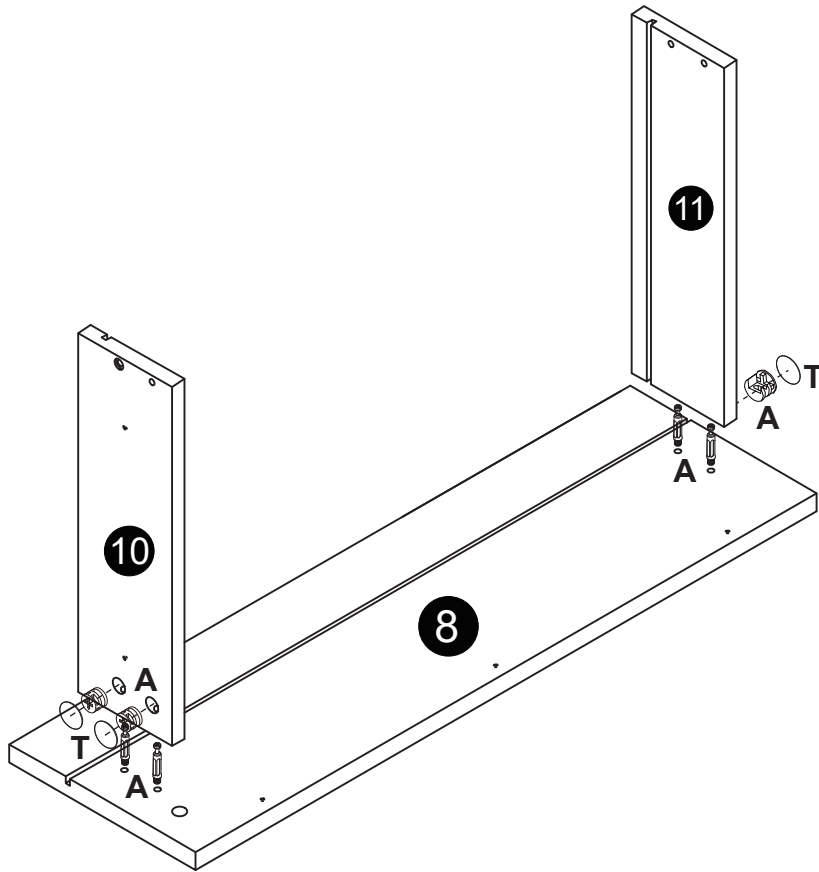
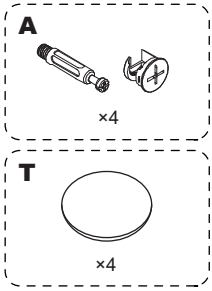
Step 6



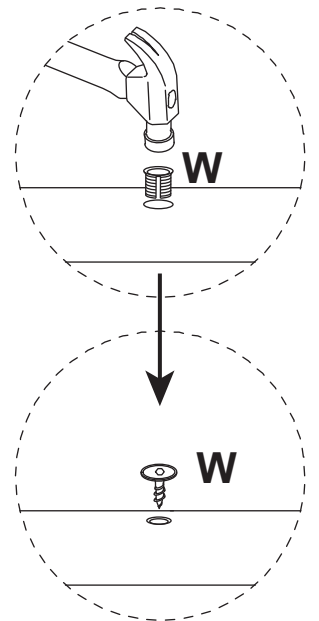
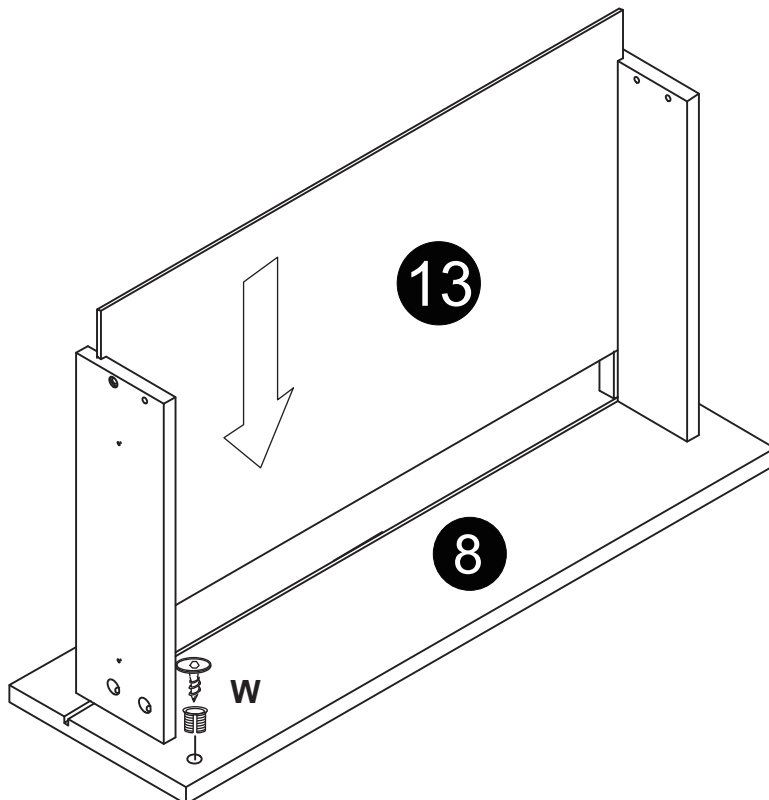
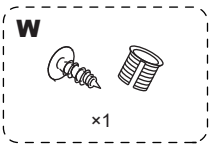
Step 7



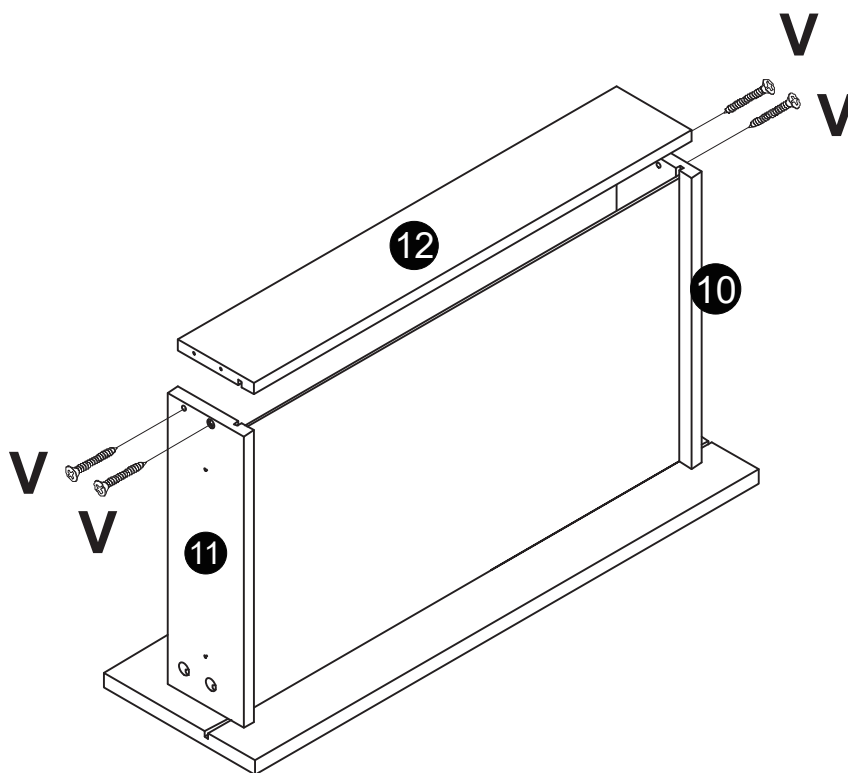
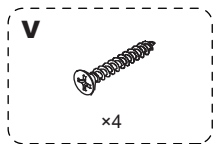
Step 8



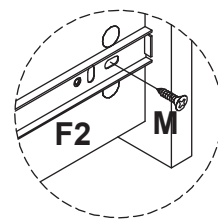
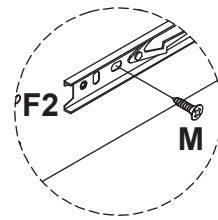
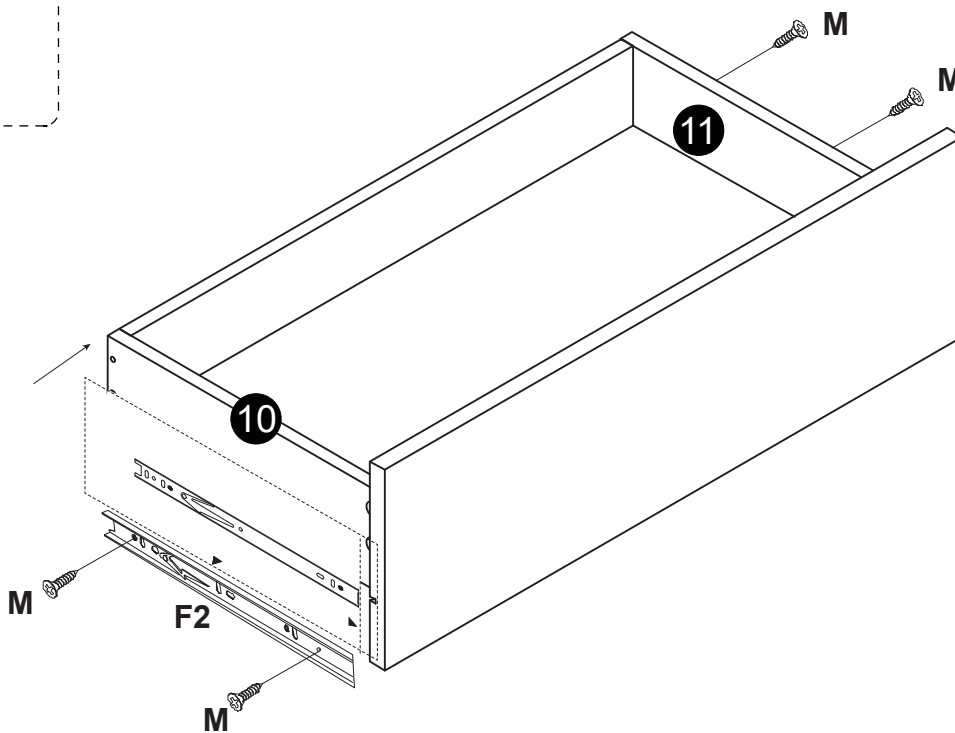
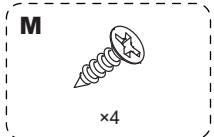
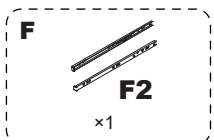
Step 9



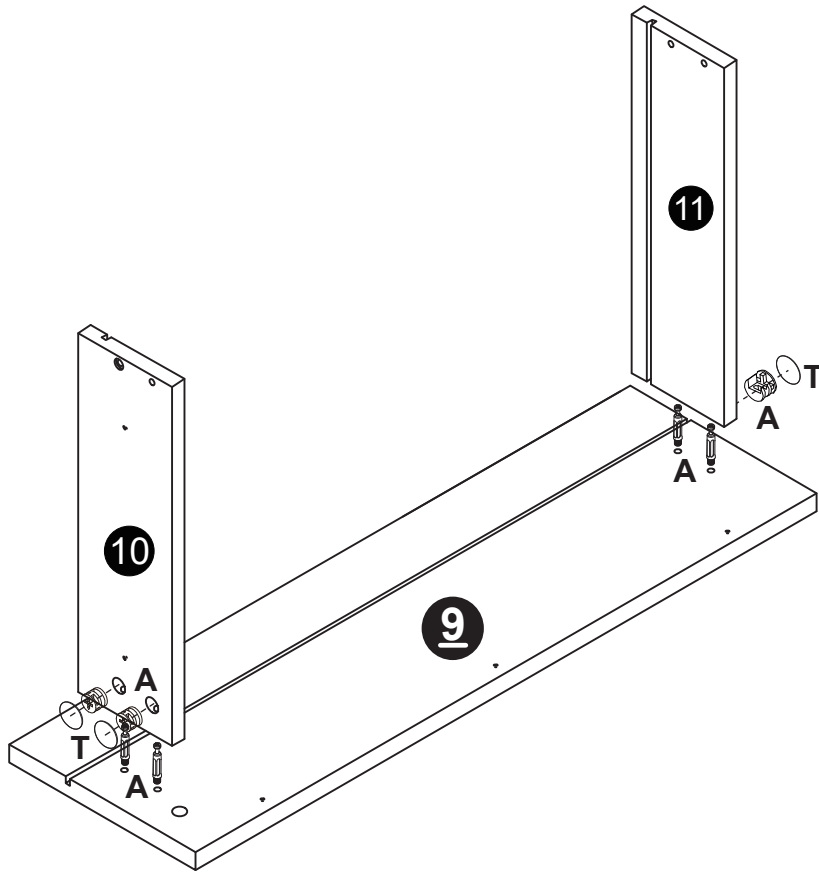
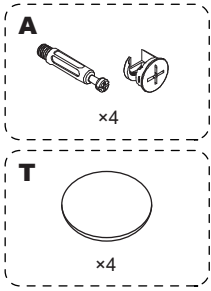
Step 10



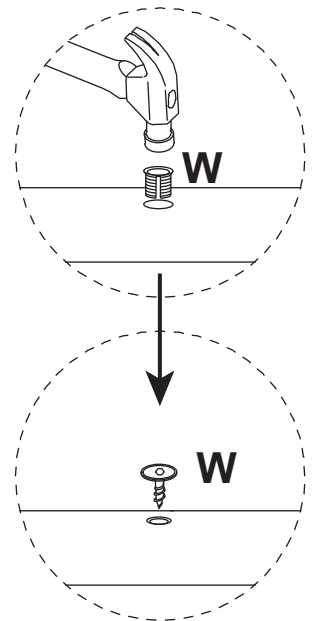
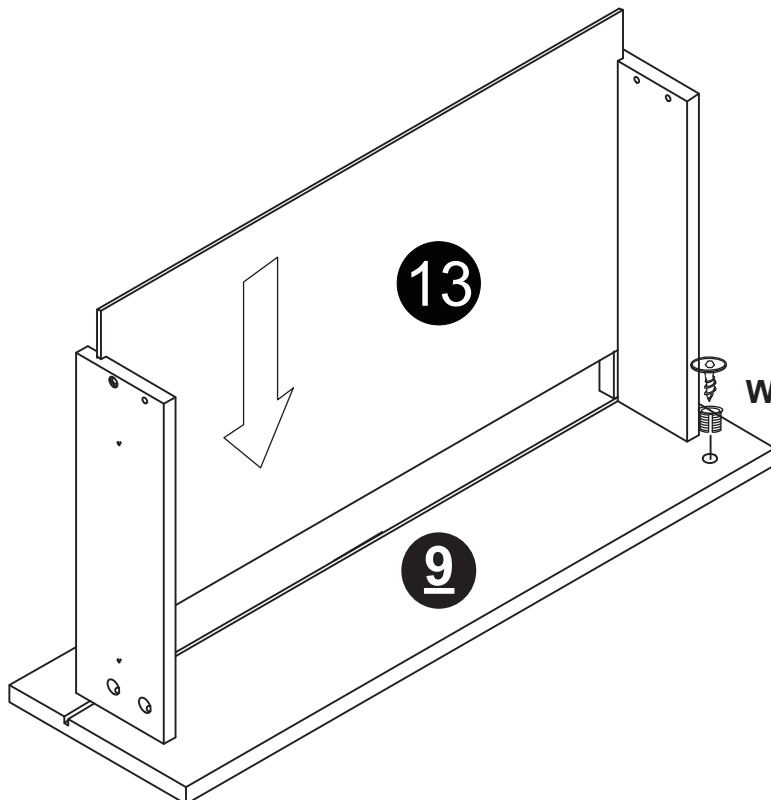
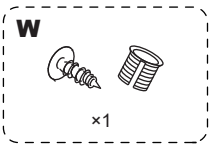
Step 11



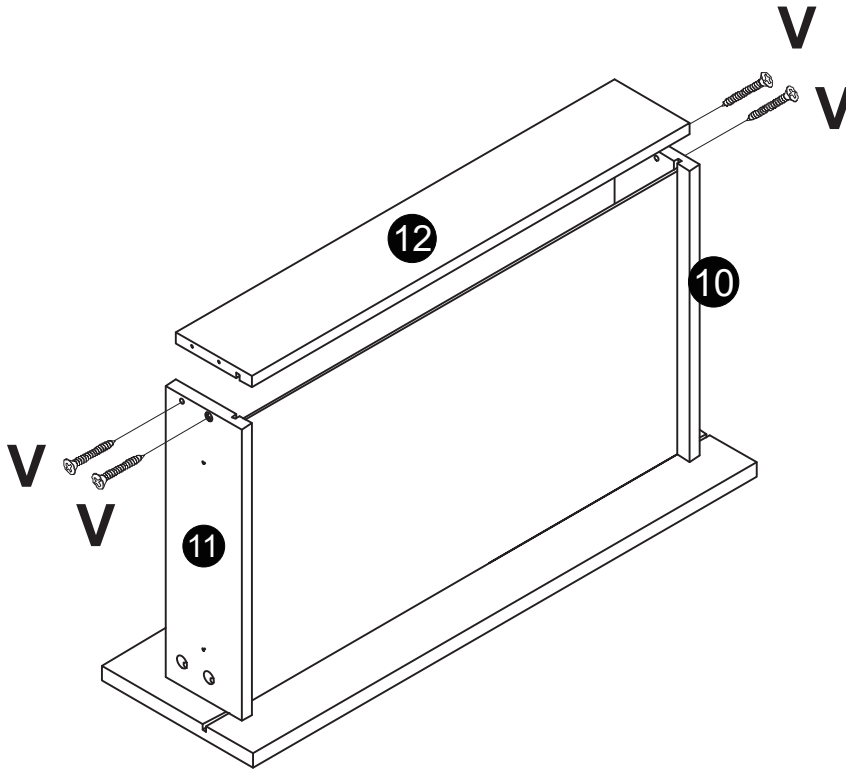
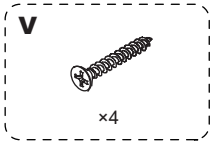
Step 12



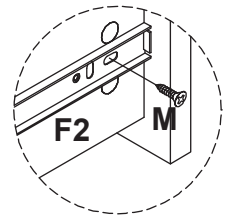
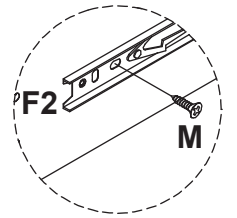
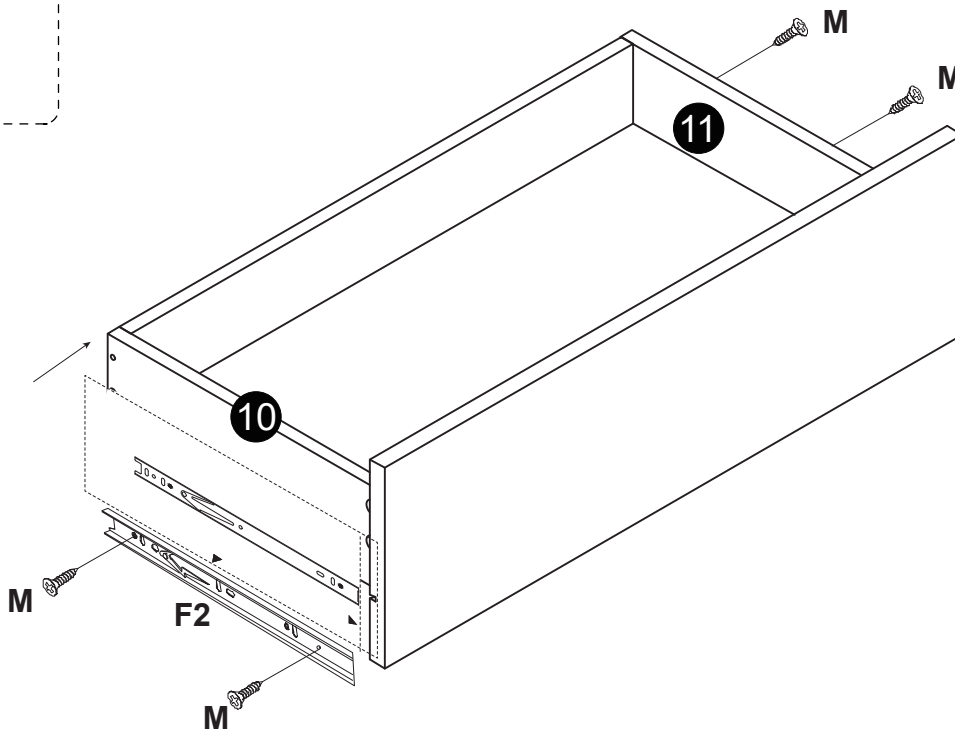
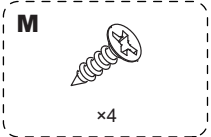
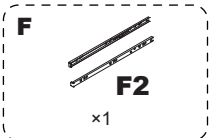
Step 13



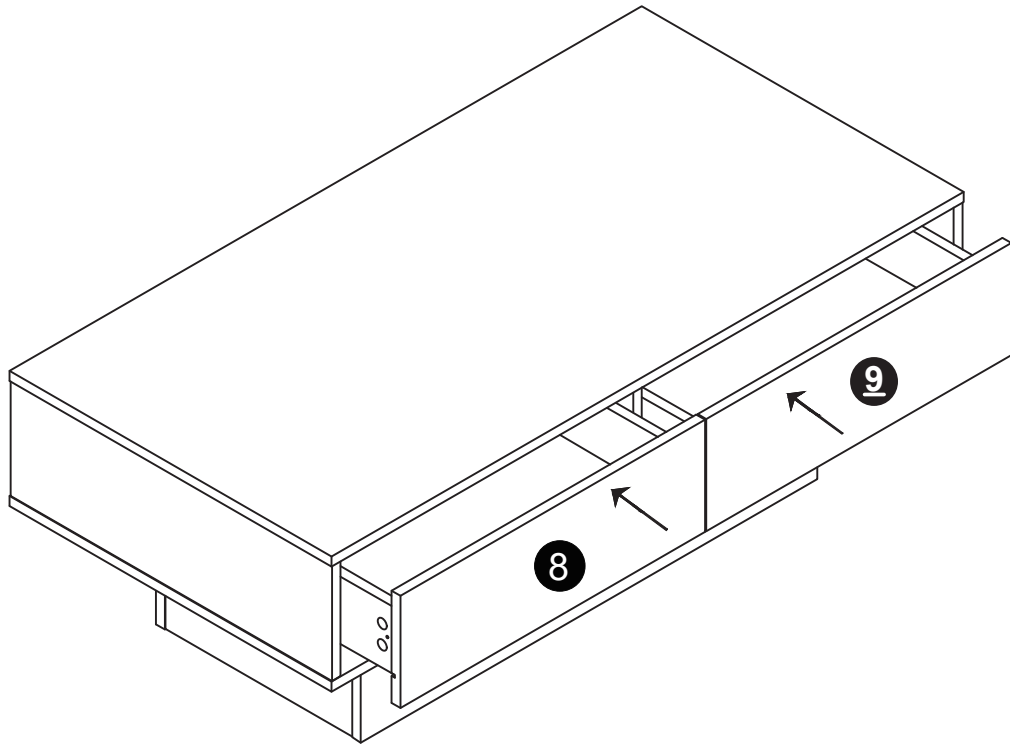
Step 14



Step 15



| Step16



| Step17

