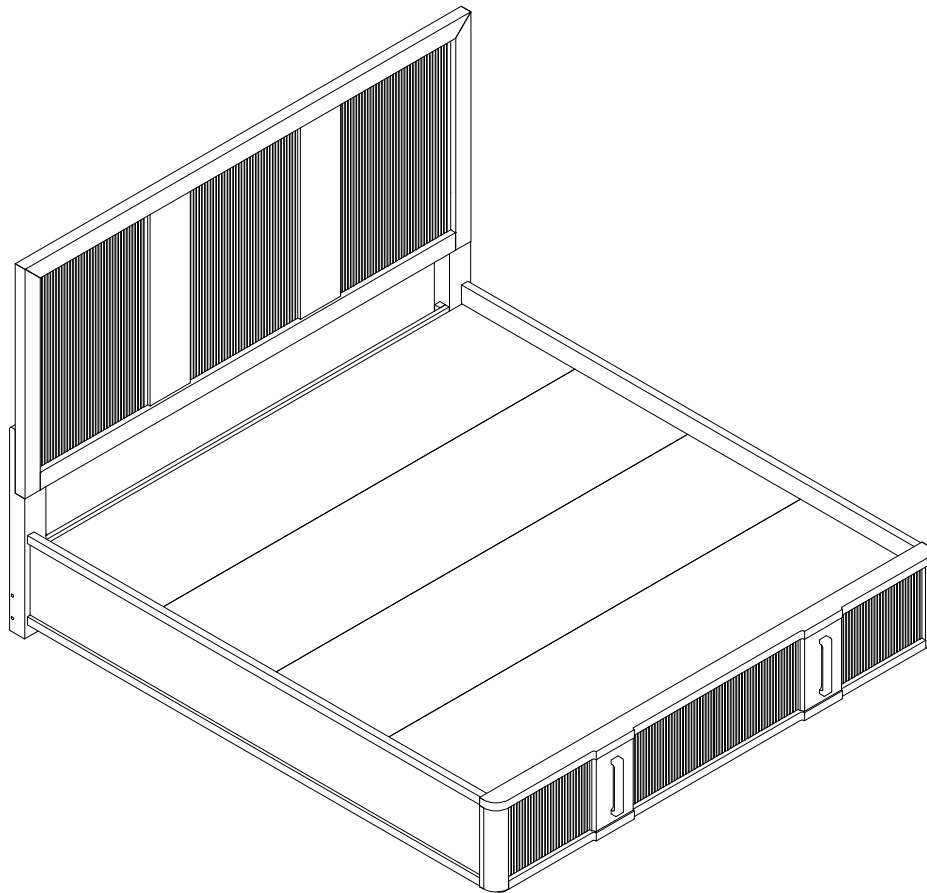




ASSEMBLY INSTRUCTIONS
COASTER FINE FURNITURE



Fine Furniture for every stage of life

224900KE (B1-B3)
Eastern King Bed

ITEM: 224900KE(B1-B3)



ASSEMBLY INSTRUCTIONS

ASSEMBLY TIPS:

1. Remove hardware from box and sort by size.
2. Please check to see that all hardware and parts are present prior to start of assembly.
3. Please follow attached instructions in the same sequence as numbered to assure fast & easy assembly.



WARNING

1. Don't attempt to repair or modify parts that are broken or defective. Please contact the store immediately.
2. This product is for home use only and not intended for commercial establishments.



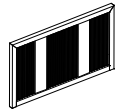
ASSEMBLY TIME

20 MINUTES

PARTS IDENTIFICATION

B1 (BOX 1)

A HEADBOARD PANEL



1PC

B LEFT HEADBOARD LEG



1PC

C RIGHT HEADBOARD LEG



1PC

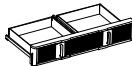
D HEADBOARD BOTTOM RAIL



1PC

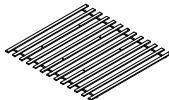
B2 (BOX 2)

E STORAGE FOOTBOARD



1PC

F ROLL SLAT (13PCS)



1SET

G CENTER RAIL SUPPORT WITH LEVELER



3PCS

H BED SLAT SUPPORT WITH LEVELER



6PCS

I CONCEAL PANEL



4PCS

B3 (BOX 3)

J BED RAIL



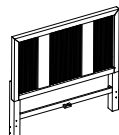
2PCS

K CENTER RAIL



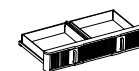
1PC

HB 224900KE (B1) FROM BOX 1 HEADBOARD COMPLETE



1PC

E 224900KE (B2) FROM BOX 2 FOOTBOARD



1PC

ITEM: 224900KE(B1-B3)



ASSEMBLY INSTRUCTIONS

ASSEMBLY TIPS:

- 1.Remove hardware from box and sort by size.
- 2.Please check to see that all hardware and parts are present prior to start of assembly.
- 3.Please follow attached instructions in the same sequence as numbered to assure fast & easy assembly.

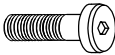





WARNING

- 1.Don't attempt to repair or modify parts that are broken or defective. Please contact the store immediately.
- 2.This product is for home use only and not intended for commercial establishments.

HARDWARE IDENTIFICATION

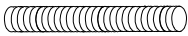
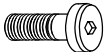




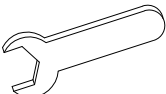

Z-B1 (BOX 1) - HARDWARE PACK IS LOCATED IN 224900KE (B1)

1	BOLT (5/16" x 38mm - RBW)		12PCS	3	FLAT WASHER (5/16" x 19 x 1.5mm - RBW)		12PCS
2	LOCK WASHER (5/16" - RBW)		12PCS	4	ALLEN WRENCH (74 x 30 x 4mm - RBW)		1PC

Z-B2 (BOX 2) - HARDWARE PACK IS LOCATED IN 224900KE (B2)

5	FLAT HEAD SCREW (4 x 32mm - RBW)		6PCS
---	--	---	------

Z-B3 (BOX 3) - HARDWARE PACK IS LOCATED IN 224900KE (B3)

6	THREADED BOLT (5/16" x 75mm - RBW)		8PCS	10	BOLT (1/4 x 25mm - RBW)		2PCS
7	U-SQUARE WASHER (25 x 15 x 2mm - RBW)		8PCS	11	LOCK WASHER (1/4" - RBW)		2PCS
8	HEX NUT (5/16" x 17mm - RBW)		8PCS	12	FLAT WASHER (1/4" x 19 x 1.5mm - RBW)		2PCS
9	WRENCH (13MM - RBW)		1PC	13	ALLEN WRENCH (74 x 30 x 4mm - RBW)		1PC

NOTE:

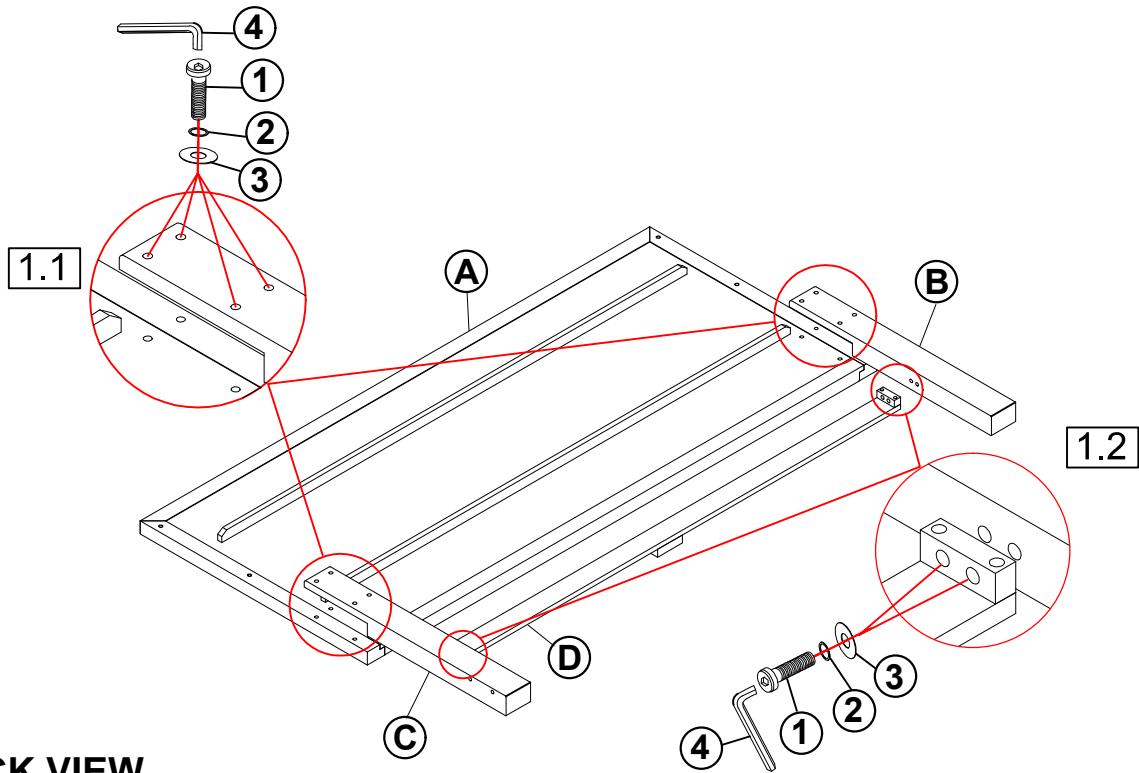
Phillips head screw driver is required in the assembly process; however, manufacturer does not provide this item.

ITEM: 224900KE(B1-B3)

ASSEMBLY INSTRUCTIONS

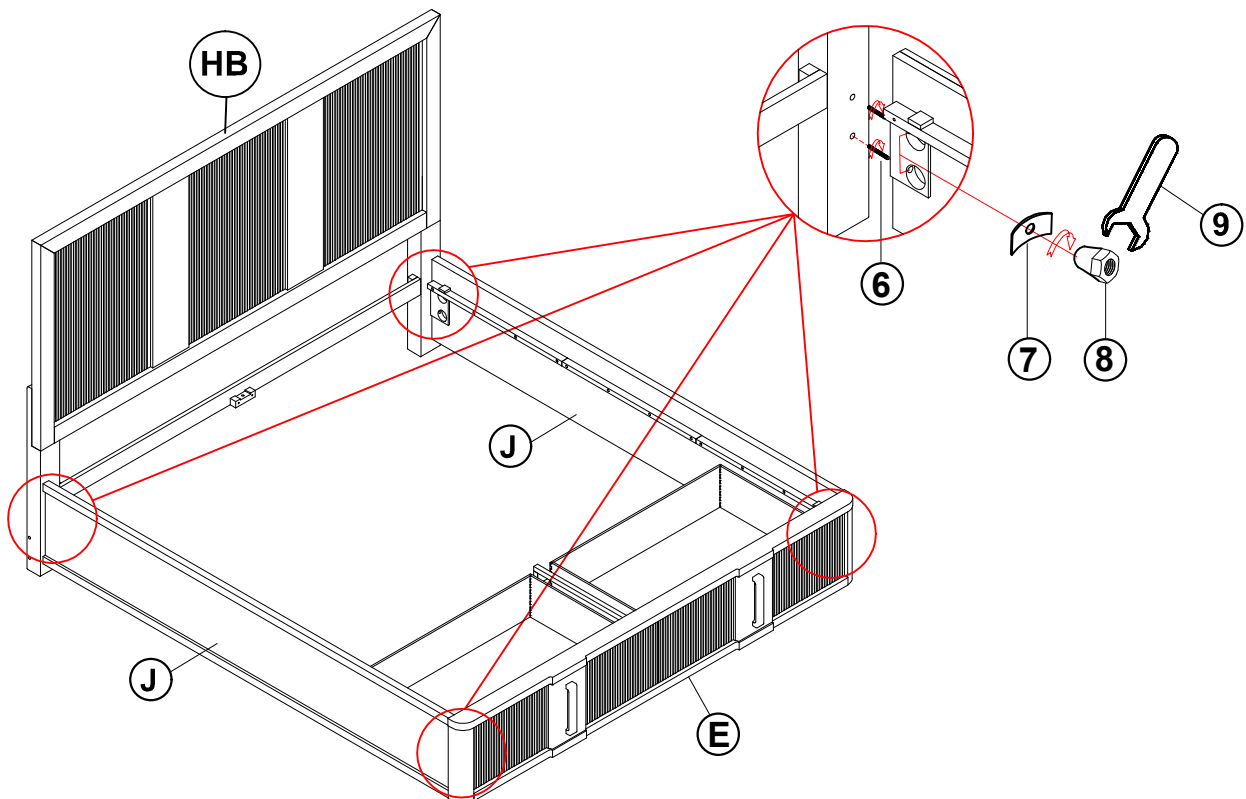


STEP 1



* BACK VIEW

STEP 2

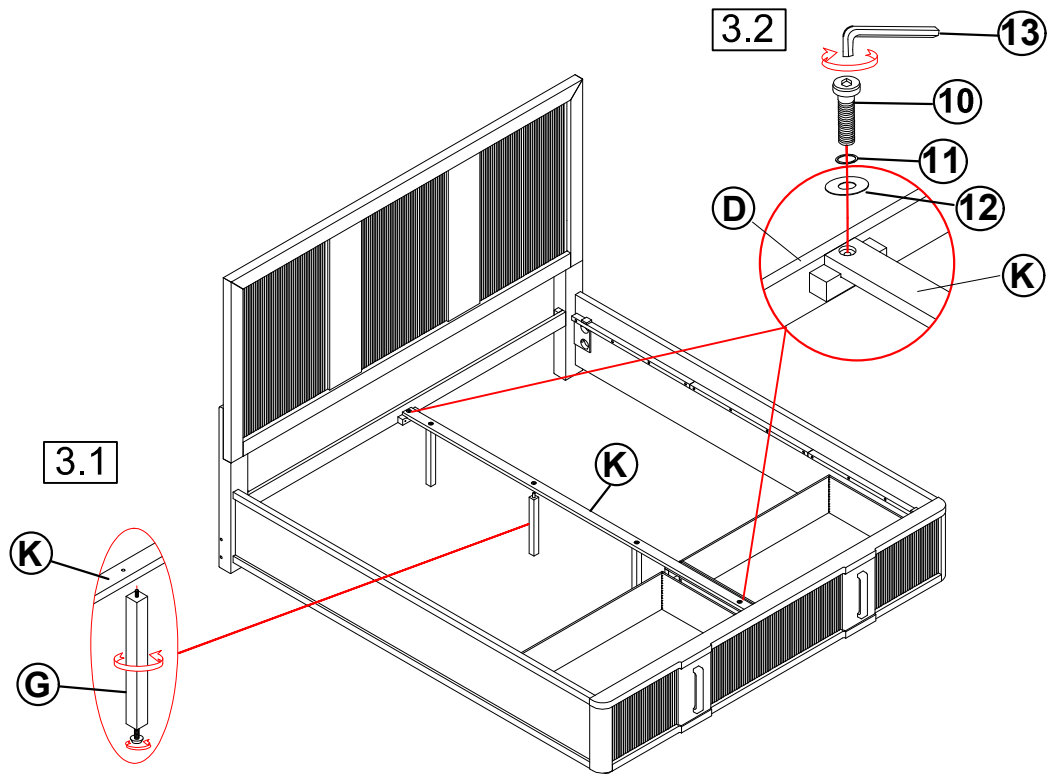


ITEM: 224900KE(B1-B3)

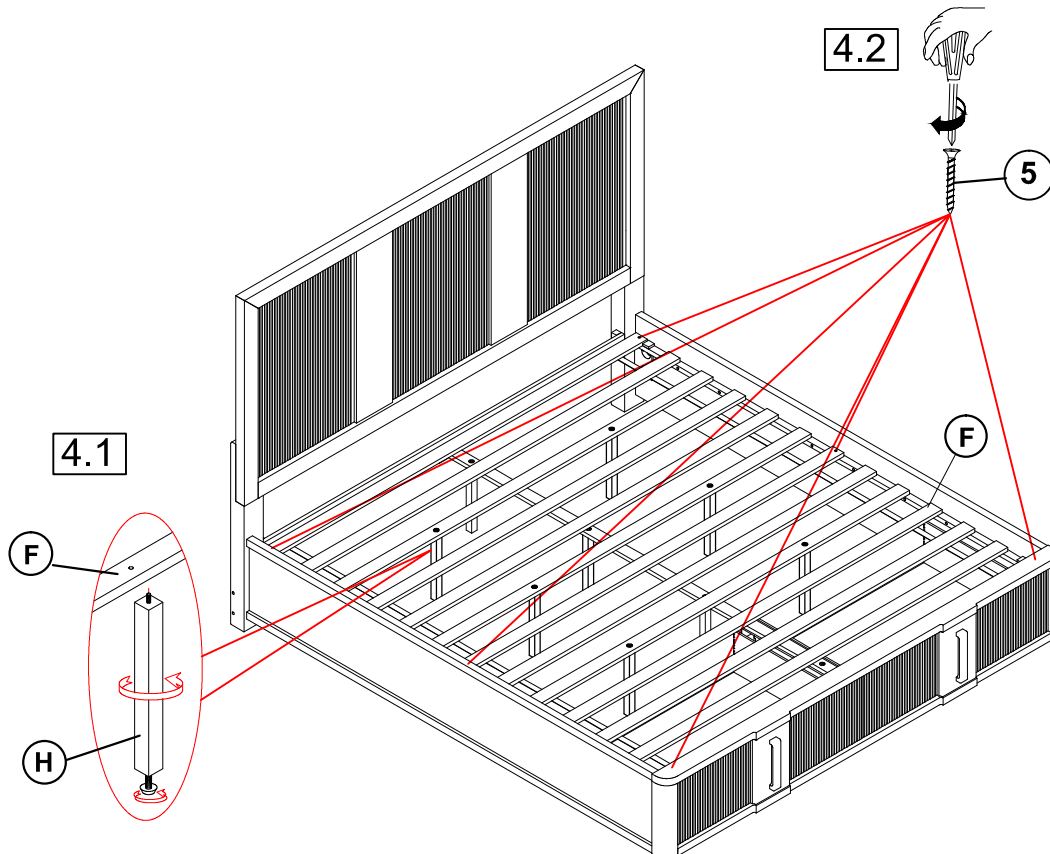
ASSEMBLY INSTRUCTIONS



STEP 3



STEP 4

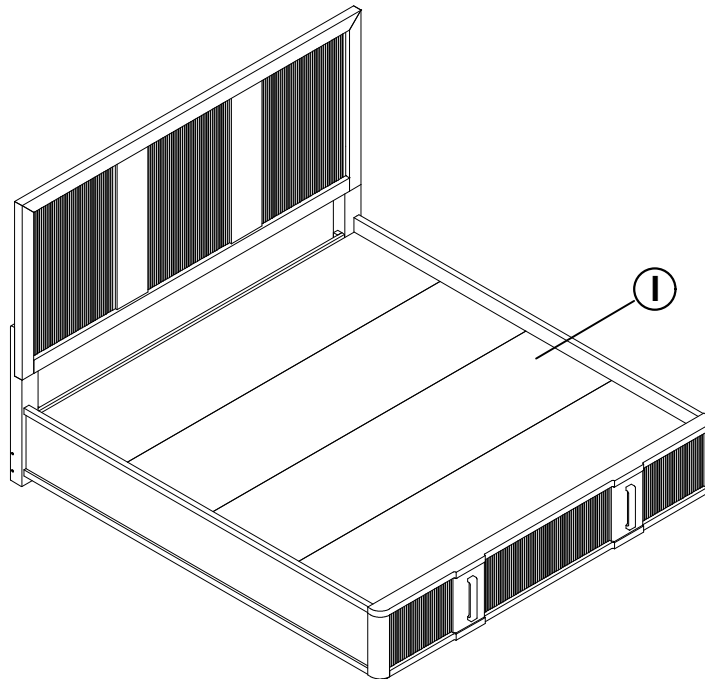


ITEM: **224900KE(B1-B3)**

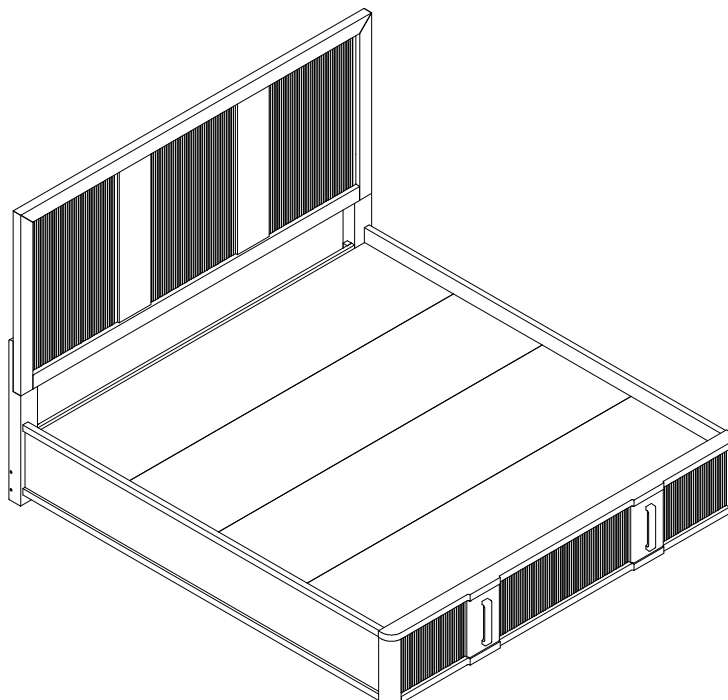
ASSEMBLY INSTRUCTIONS



STEP 5



STEP 6
COMPLETE

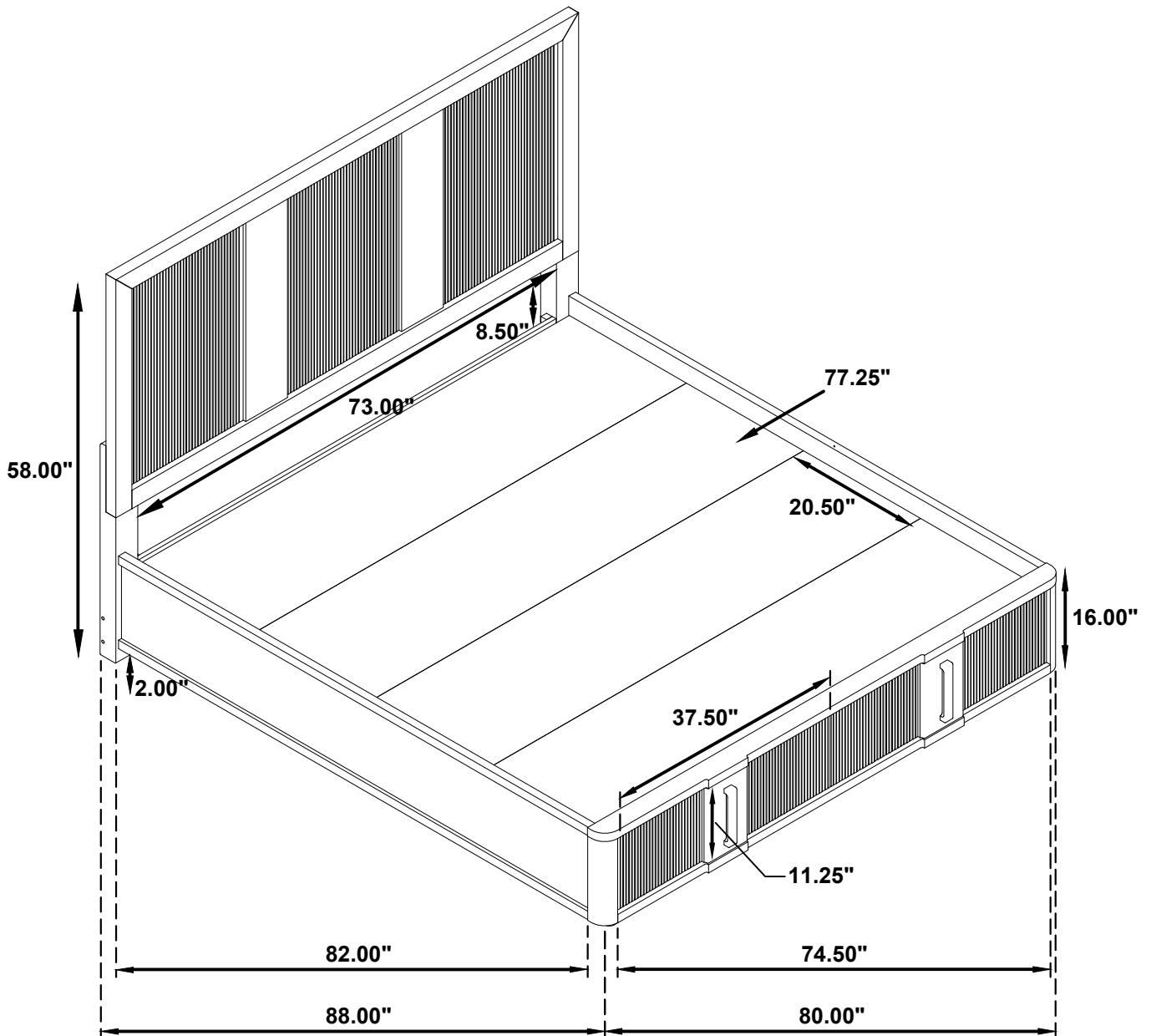


ITEM: 224900KE(B1-B3)



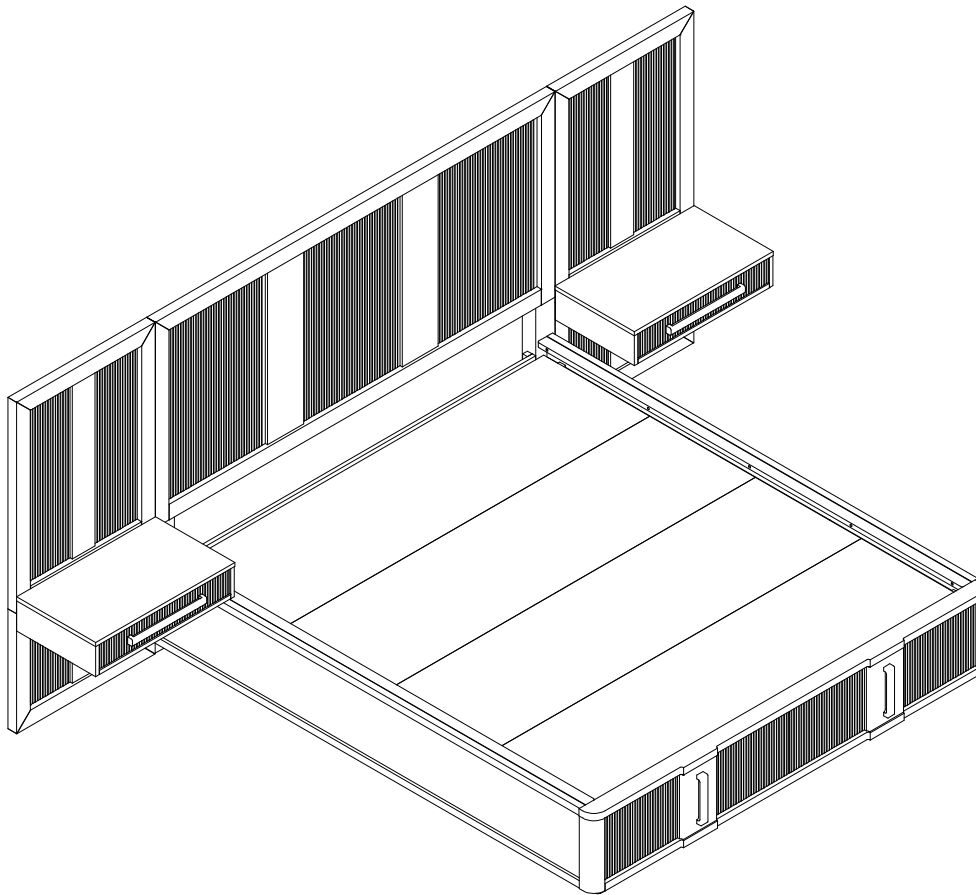
Inner Size : 77.25"W x 82.00"D

Inner Size of Drawer : 33.75"W x 22.75"D x 7.25"H x 0.25T



Note : Dimension tolerance $\pm 5\%$

ASSEMBLY INSTRUCTIONS
COASTER FINE FURNITURE



Fine Furniture for every stage of life

224907
Left & Right Wall Bed Panel With Nightand

ITEM: 224907



ASSEMBLY INSTRUCTIONS

ASSEMBLY TIPS:

1. Remove hardware from box and sort by size.
2. Please check to see that all hardware and parts are present prior to start of assembly.
3. Please follow attached instructions in the same sequence as numbered to assure fast & easy assembly.

WARNING



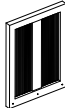
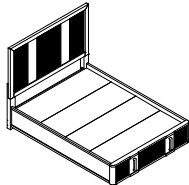

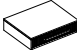
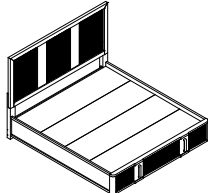


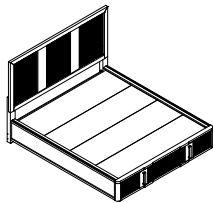
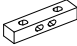
1. Don't attempt to repair or modify parts that are broken or defective. Please contact the store immediately.
2. This product is for home use only and not intended for commercial establishments.




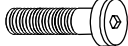





ASSEMBLY TIME

20 MINUTES

PARTS IDENTIFICATION

A	TOP PANEL		2PCS	BD	BED FROM BOX 224900 Q		1SET
B	BOTTOM PANEL		2PCS		or		
C	DRAWER		2PCS		224900 KE		1SET
D	DRAWER SUPPORT		2PCS		or		
E	TOP PANEL SUPPORT		4PCS		224900 KW		1SET
F	BOTTOM PANEL SUPPORT		2PCS				

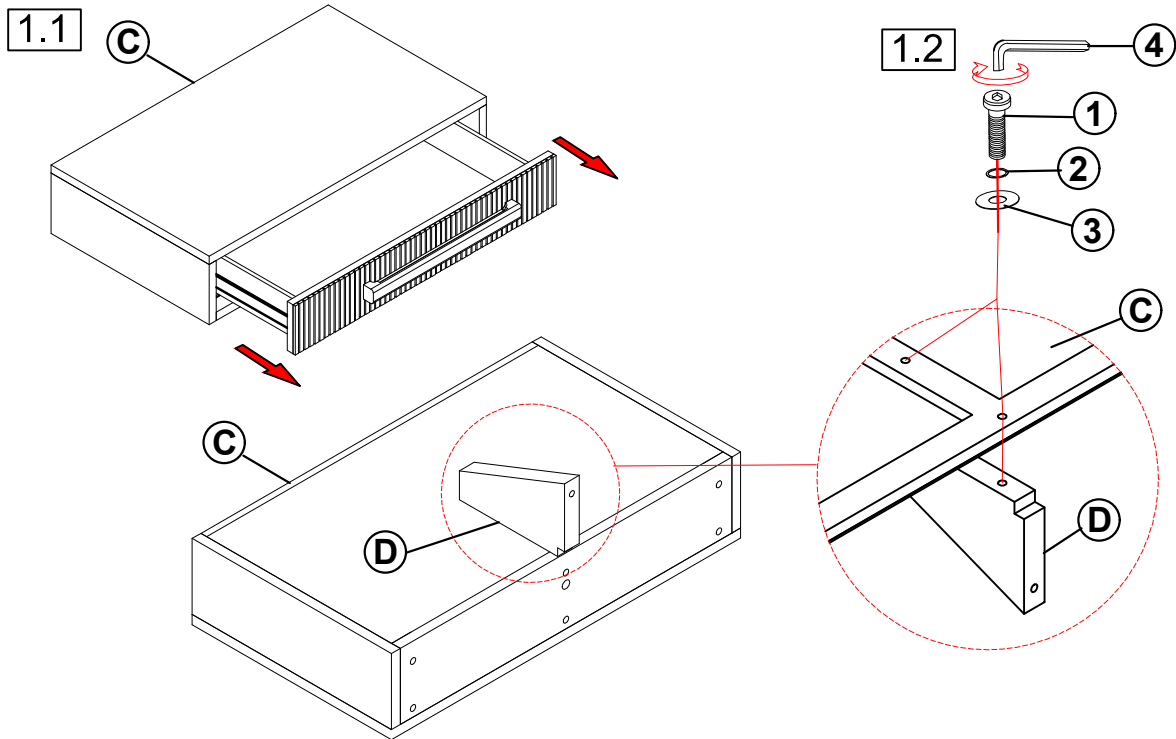
HARDWARE IDENTIFICATION

1	SHORT BOLT (1/4" x 45mm - RBW)		6PCS	5	LONG BOLT (5/16" x 50mm - RBW)		28PCS
2	SMALL LOCK WASHER (1/4" - RBW)		6PCS	6	BIG LOCK WASHER (5/16" - RBW)		28PCS
3	SMALL FLAT WASHER (1/4" x 19 x 1.5mm - RBW)		6PCS	7	BIG FLAT WASHER (5/16" x 19 x 1.5mm - RBW)		28PCS
4	ALLEN WRENCH (74 x 30 x 4mm - RBW)		1PC				

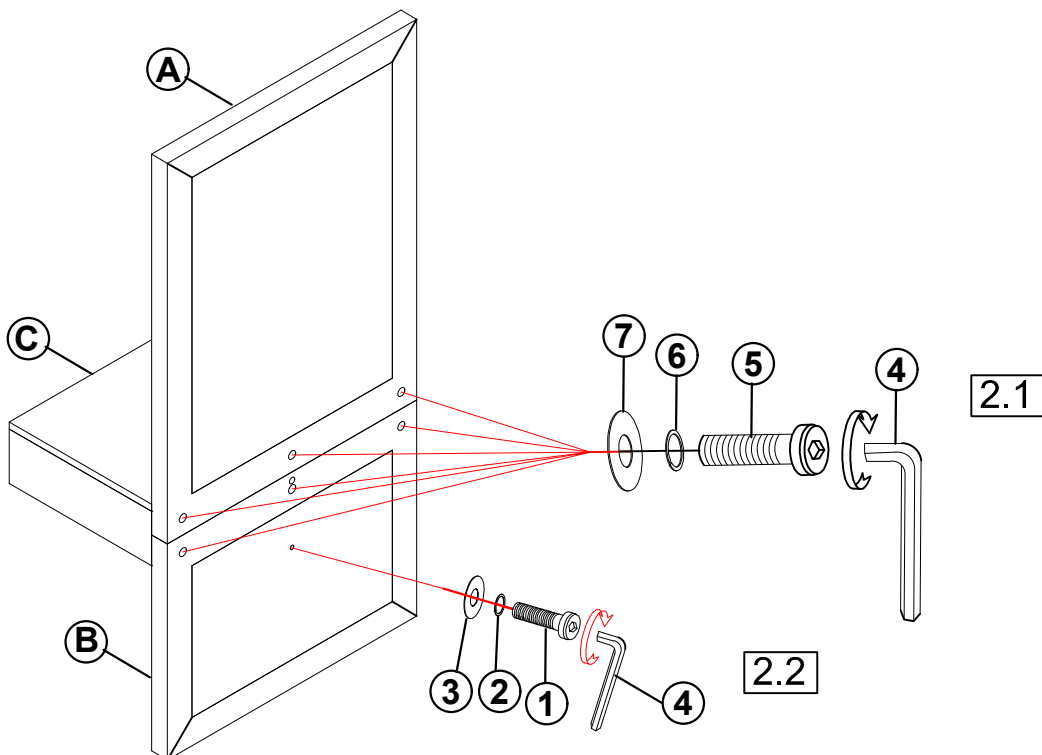
ITEM: **224907**

ASSEMBLY INSTRUCTIONS

STEP 1

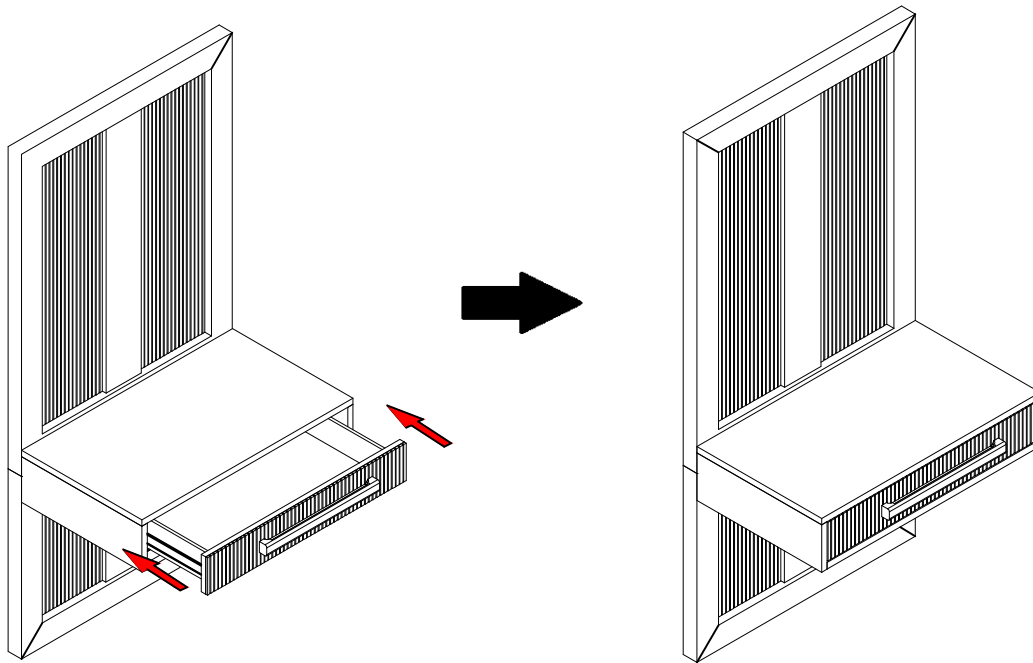


STEP 2

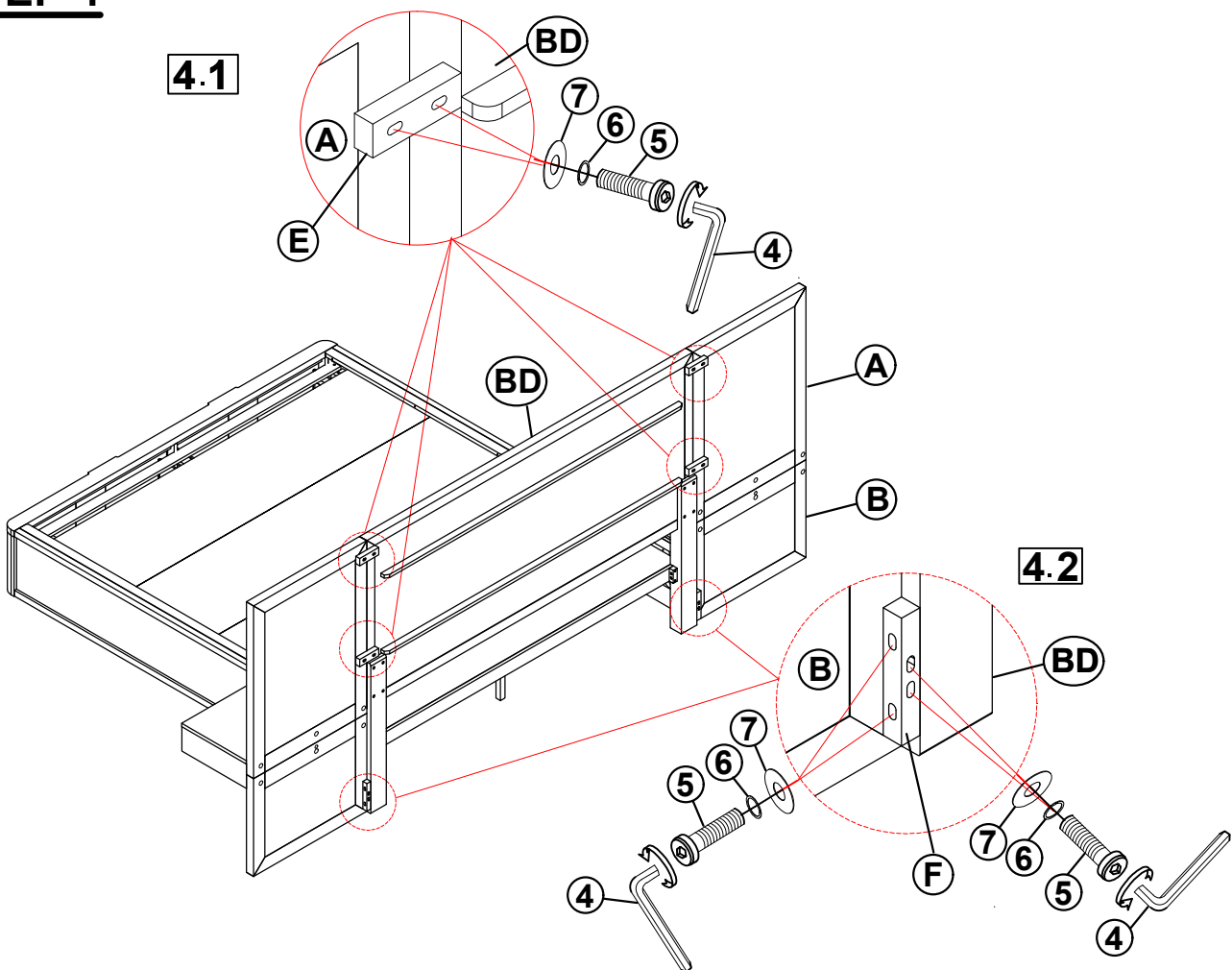


ITEM: **224907**
ASSEMBLY INSTRUCTIONS

STEP 3



STEP 4



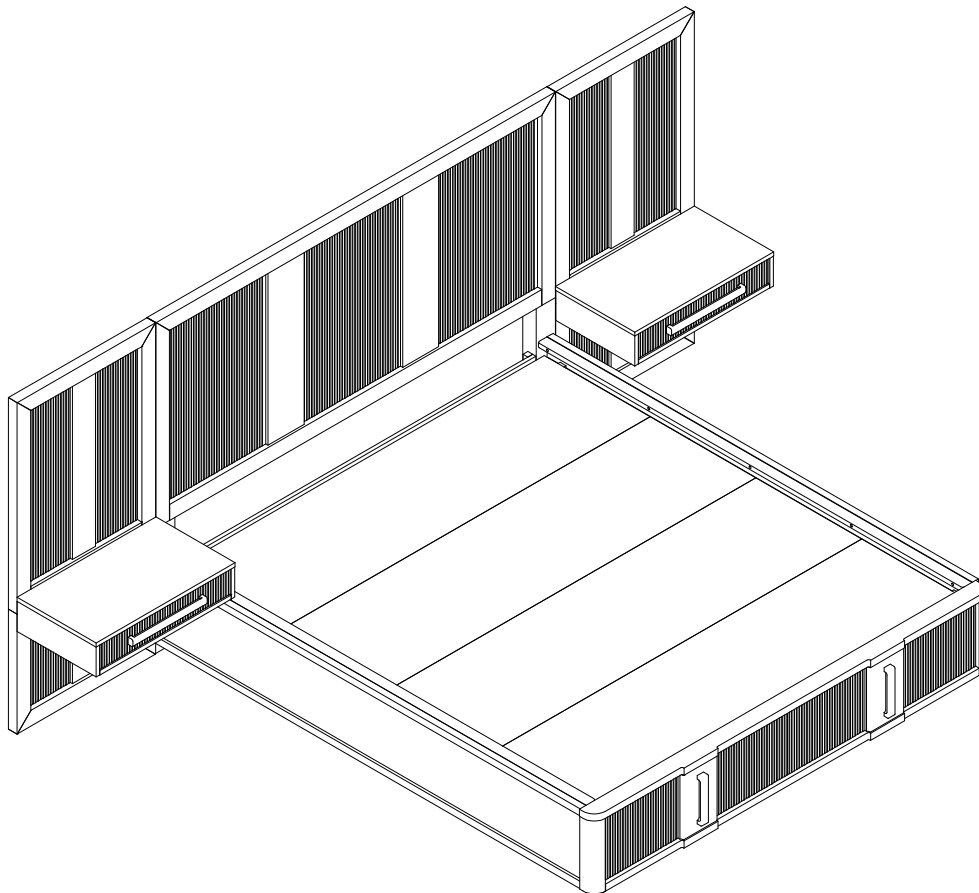
ITEM: **224907**

ASSEMBLY INSTRUCTIONS



STEP 5

COMPLETE

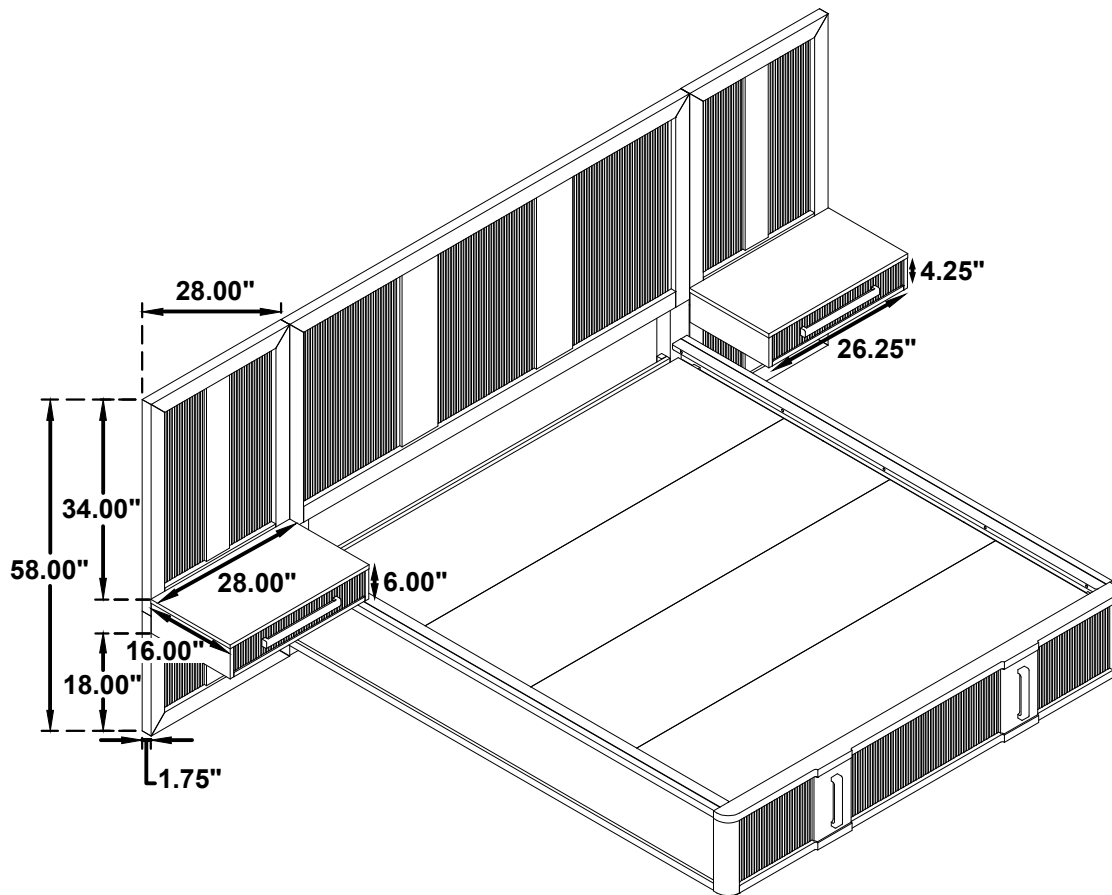


ITEM: **224907**



Inner Size of Drawer : 23.25"W x 12.75"D x 2.75"H x 0.25T

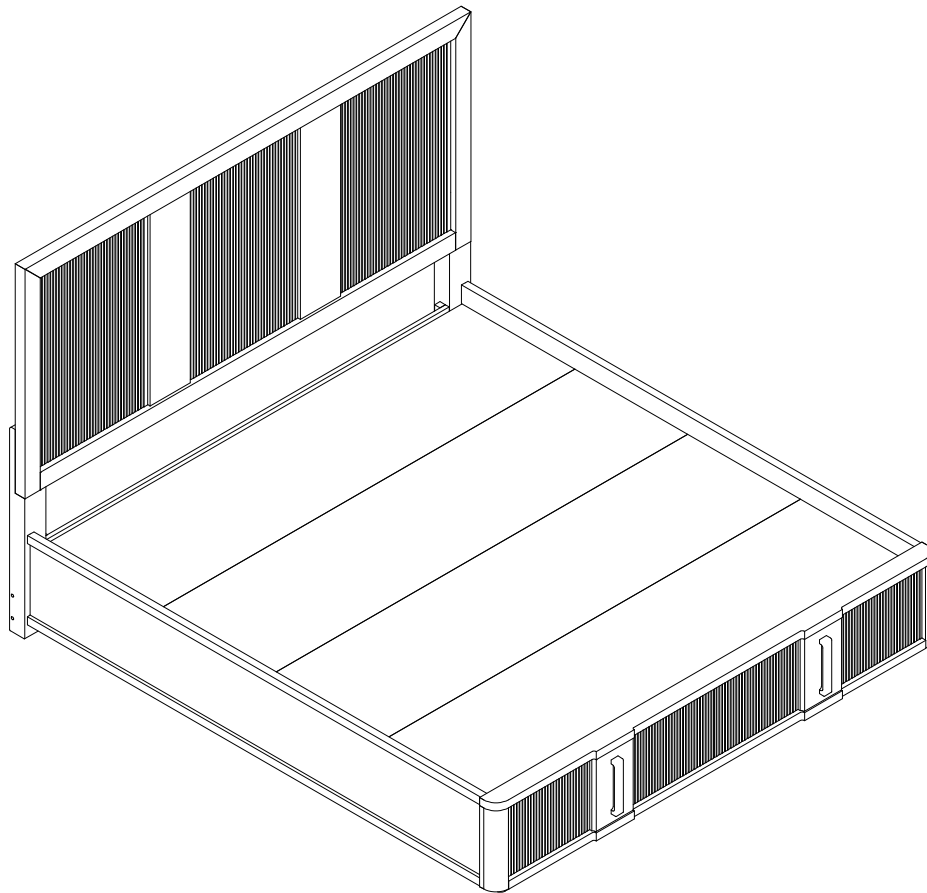
Inner Size of Drawer : 23.25"W x 12.75"D x 2.75"H x 0.25T



Note : Dimension tolerance $\pm 5\%$



ASSEMBLY INSTRUCTIONS COASTER FINE FURNITURE



Fine Furniture for every stage of life

224900KE (B1-B3)
Eastern King Bed

ITEM: 224900KE(B1-B3)



ASSEMBLY INSTRUCTIONS

ASSEMBLY TIPS:

1. Remove hardware from box and sort by size.
2. Please check to see that all hardware and parts are present prior to start of assembly.
3. Please follow attached instructions in the same sequence as numbered to assure fast & easy assembly.



WARNING

1. Don't attempt to repair or modify parts that are broken or defective. Please contact the store immediately.
2. This product is for home use only and not intended for commercial establishments.



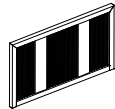
ASSEMBLY TIME

20 MINUTES

PARTS IDENTIFICATION

B1 (BOX 1)

A HEADBOARD PANEL



1PC

B LEFT HEADBOARD LEG



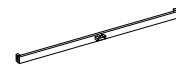
1PC

C RIGHT HEADBOARD LEG



1PC

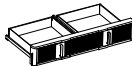
D HEADBOARD BOTTOM RAIL



1PC

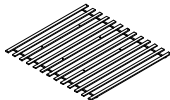
B2 (BOX 2)

E STORAGE FOOTBOARD



1PC

F ROLL SLAT (13PCS)



1SET

G CENTER RAIL SUPPORT WITH LEVELER



3PCS

H BED SLAT SUPPORT WITH LEVELER



6PCS

I CONCEAL PANEL



4PCS

B3 (BOX 3)

J BED RAIL



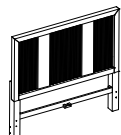
2PCS

K CENTER RAIL



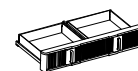
1PC

HB 224900KE (B1) FROM BOX 1 HEADBOARD COMPLETE



1PC

E 224900KE (B2) FROM BOX 2 FOOTBOARD



1PC

ITEM: 224900KE(B1-B3)



ASSEMBLY INSTRUCTIONS

ASSEMBLY TIPS:

1. Remove hardware from box and sort by size.
2. Please check to see that all hardware and parts are present prior to start of assembly.
3. Please follow attached instructions in the same sequence as numbered to assure fast & easy assembly.

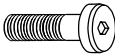





WARNING

1. Don't attempt to repair or modify parts that are broken or defective. Please contact the store immediately.
2. This product is for home use only and not intended for commercial establishments.

HARDWARE IDENTIFICATION

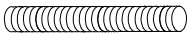
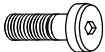




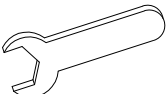

Z-B1 (BOX 1) - HARDWARE PACK IS LOCATED IN 224900KE (B1)

1	BOLT (5/16" x 38mm - RBW)		12PCS	3	FLAT WASHER (5/16" x 19 x 1.5mm - RBW)		12PCS
2	LOCK WASHER (5/16" - RBW)		12PCS	4	ALLEN WRENCH (74 x 30 x 4mm - RBW)		1PC

Z-B2 (BOX 2) - HARDWARE PACK IS LOCATED IN 224900KE (B2)

5	FLAT HEAD SCREW (4 x 32mm - RBW)		6PCS
---	--	---	------

Z-B3 (BOX 3) - HARDWARE PACK IS LOCATED IN 224900KE (B3)

6	THREADED BOLT (5/16" x 75mm - RBW)		8PCS	10	BOLT (1/4 x 25mm - RBW)		2PCS
7	U-SQUARE WASHER (25 x 15 x 2mm - RBW)		8PCS	11	LOCK WASHER (1/4" - RBW)		2PCS
8	HEX NUT (5/16" x 17mm - RBW)		8PCS	12	FLAT WASHER (1/4" x 19 x 1.5mm - RBW)		2PCS
9	WRENCH (13MM - RBW)		1PC	13	ALLEN WRENCH (74 x 30 x 4mm - RBW)		1PC

NOTE:

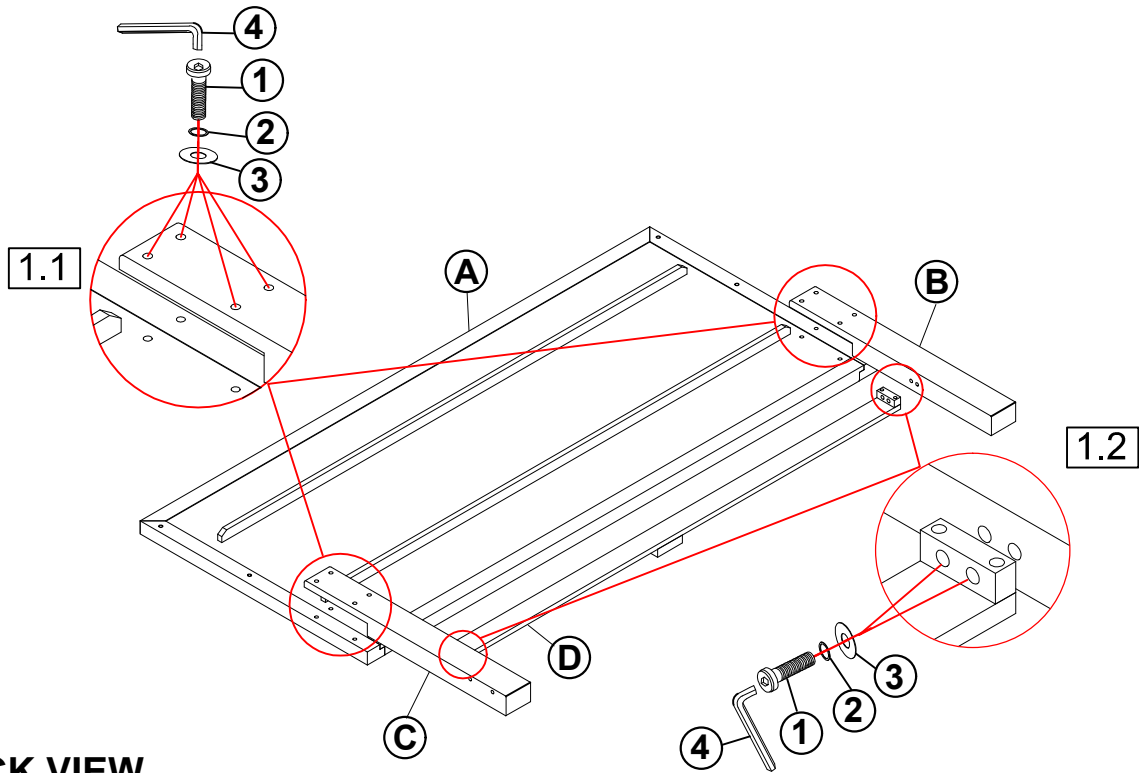
Phillips head screw driver is required in the assembly process; however, manufacturer does not provide this item.

ITEM: 224900KE(B1-B3)

ASSEMBLY INSTRUCTIONS

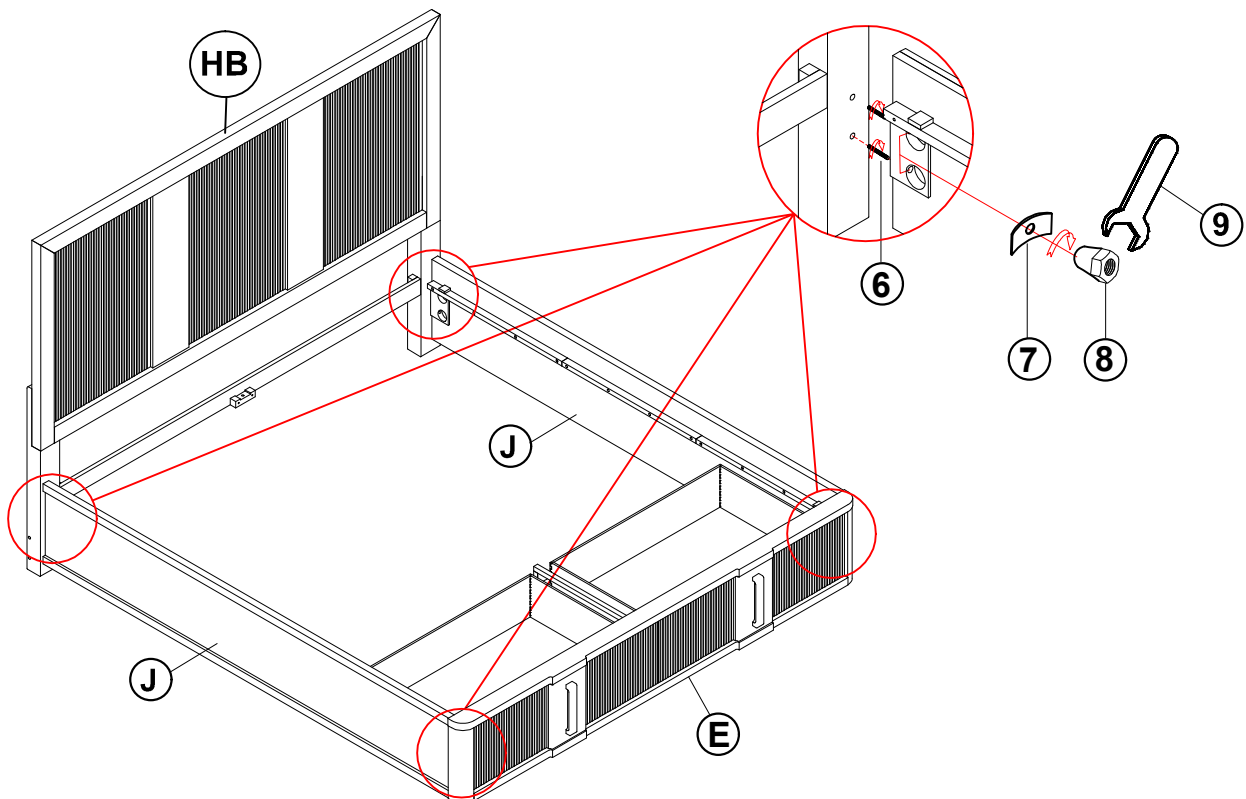


STEP 1



* BACK VIEW

STEP 2

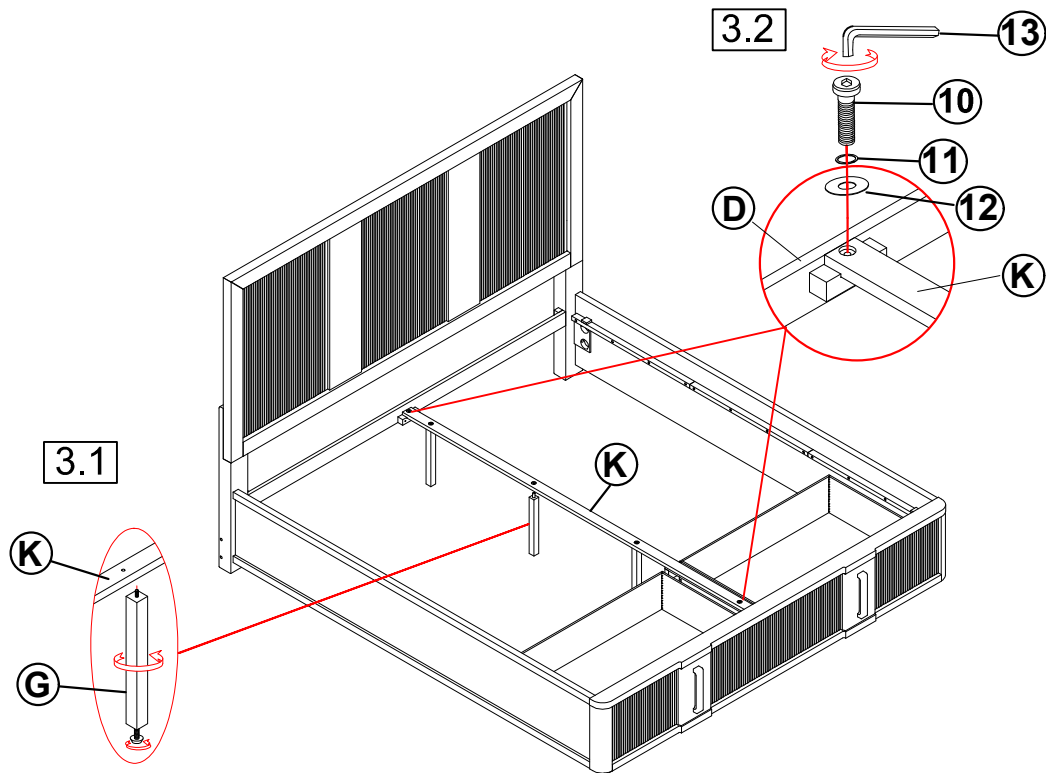


ITEM: 224900KE(B1-B3)

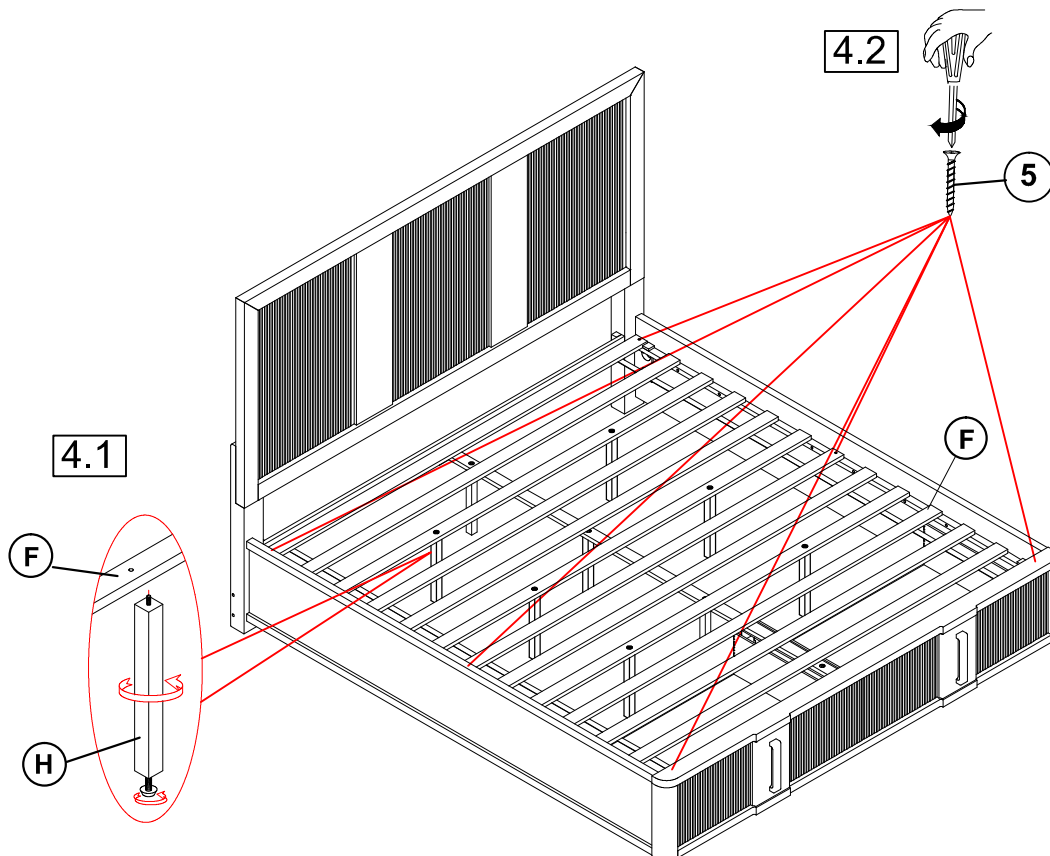
ASSEMBLY INSTRUCTIONS



STEP 3



STEP 4

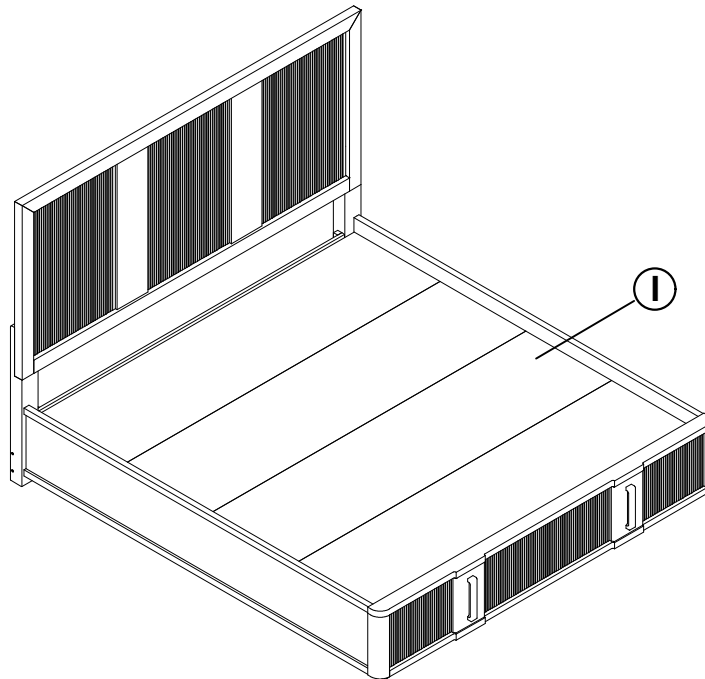


ITEM: **224900KE(B1-B3)**

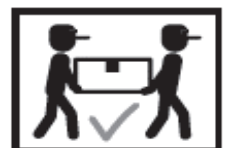
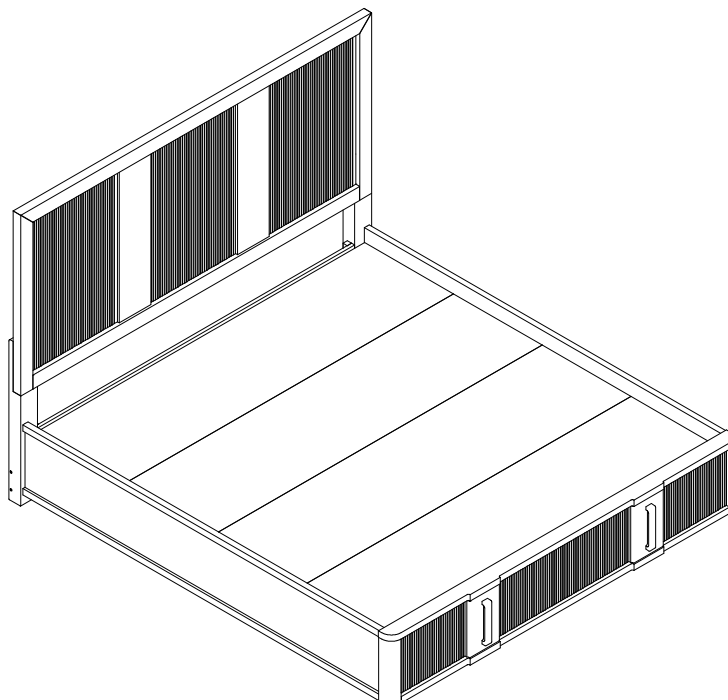
ASSEMBLY INSTRUCTIONS



STEP 5



STEP 6
COMPLETE

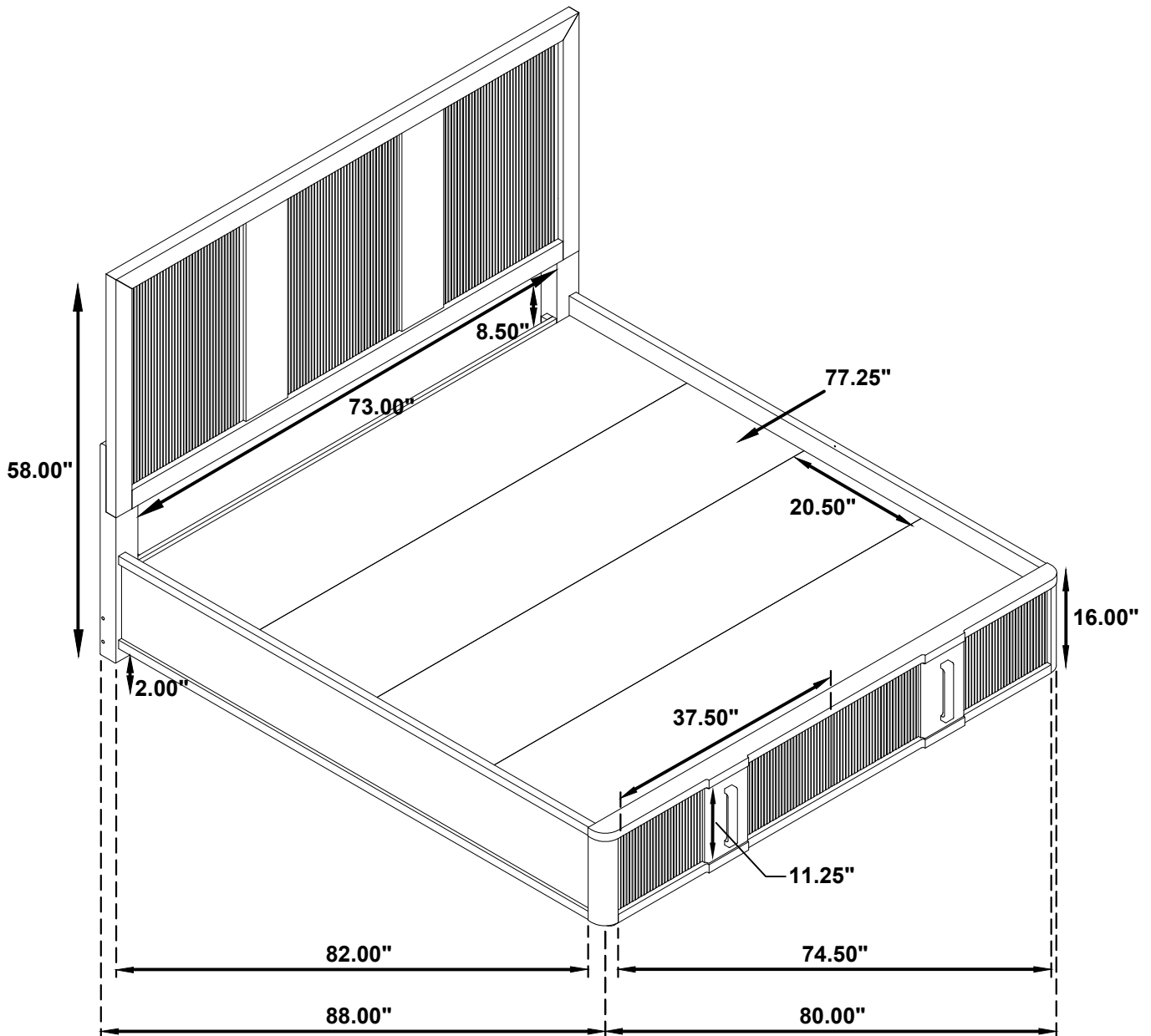


ITEM: 224900KE(B1-B3)



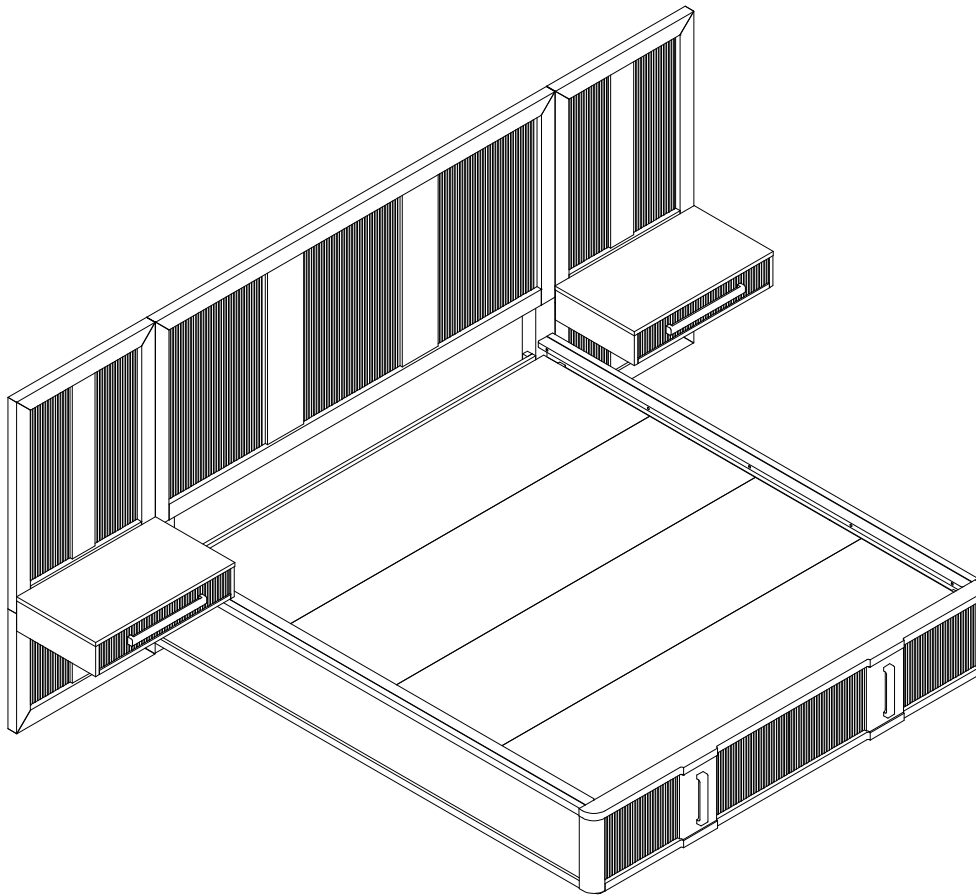
Inner Size : 77.25"W x 82.00"D

Inner Size of Drawer : 33.75"W x 22.75"D x 7.25"H x 0.25T



Note : Dimension tolerance $\pm 5\%$

ASSEMBLY INSTRUCTIONS
COASTER FINE FURNITURE



Fine Furniture for every stage of life

224907
Left & Right Wall Bed Panel With Nightand

ITEM: 224907



ASSEMBLY INSTRUCTIONS

ASSEMBLY TIPS:

1. Remove hardware from box and sort by size.
2. Please check to see that all hardware and parts are present prior to start of assembly.
3. Please follow attached instructions in the same sequence as numbered to assure fast & easy assembly.

WARNING



1. Don't attempt to repair or modify parts that are broken or defective. Please contact the store immediately.
- 2 This product is for home use only and not intended for commercial establishments.



ASSEMBLY TIME

20 MINUTES

PARTS IDENTIFICATION

A	TOP PANEL		2PCS	BD	BED FROM BOX 224900 Q		1SET
B	BOTTOM PANEL		2PCS		or		
C	DRAWER		2PCS		224900 KE		1SET
D	DRAWER SUPPORT		2PCS		or		
E	TOP PANEL SUPPORT		4PCS		224900 KW		1SET
F	BOTTOM PANEL SUPPORT		2PCS				

HARDWARE IDENTIFICATION

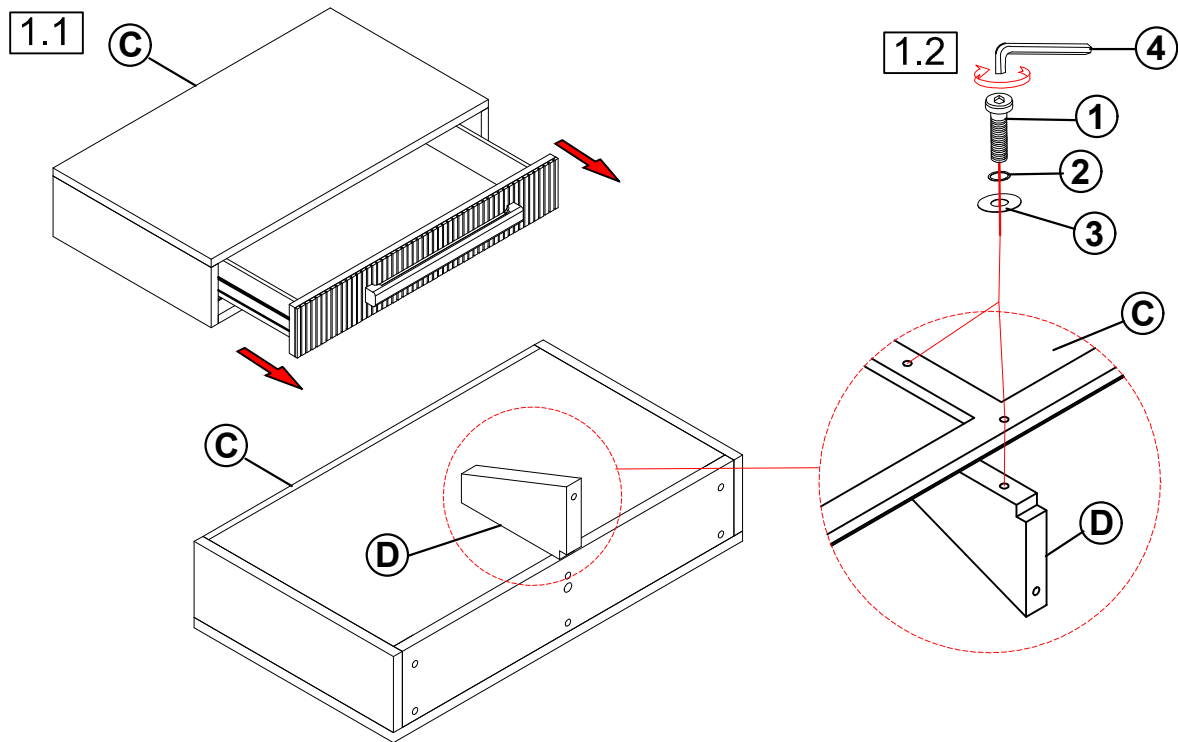
1	SHORT BOLT (1/4" x 45mm - RBW)		6PCS	5	LONG BOLT (5/16" x 50mm - RBW)		28PCS
2	SMALL LOCK WASHER (1/4" - RBW)		6PCS	6	BIG LOCK WASHER (5/16" - RBW)		28PCS
3	SMALL FLAT WASHER (1/4" x 19 x 1.5mm - RBW)		6PCS	7	BIG FLAT WASHER (5/16" x 19 x 1.5mm - RBW)		28PCS
4	ALLEN WRENCH (74 x 30 x 4mm - RBW)		1PC				

ITEM: **224907**

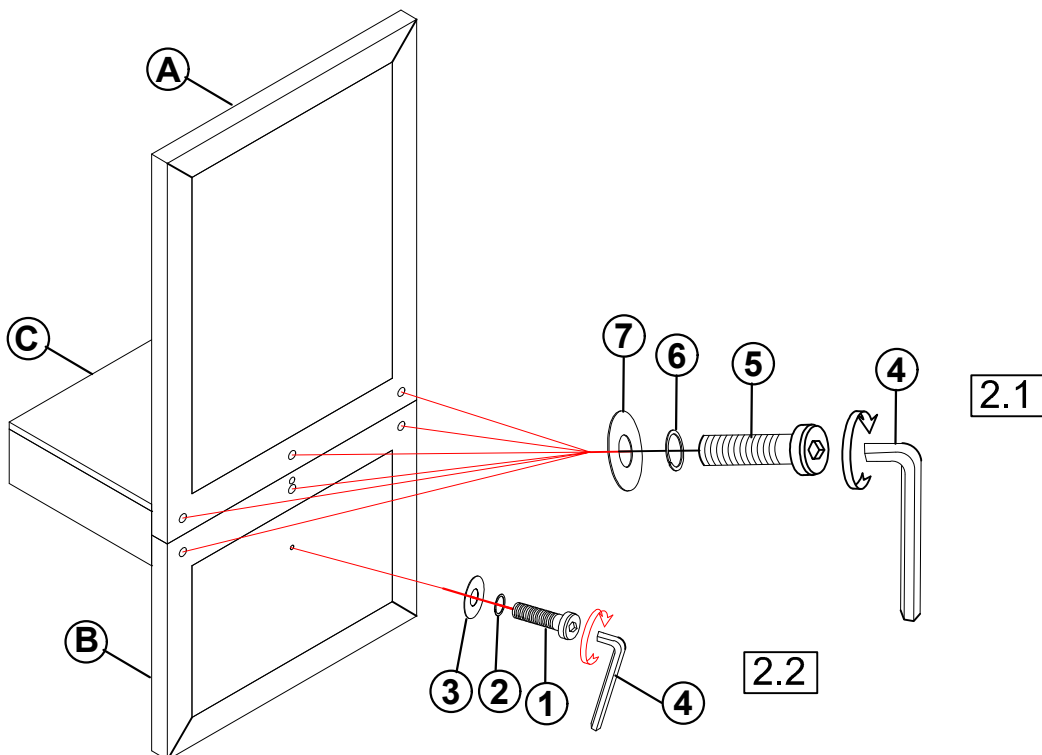
ASSEMBLY INSTRUCTIONS



STEP 1

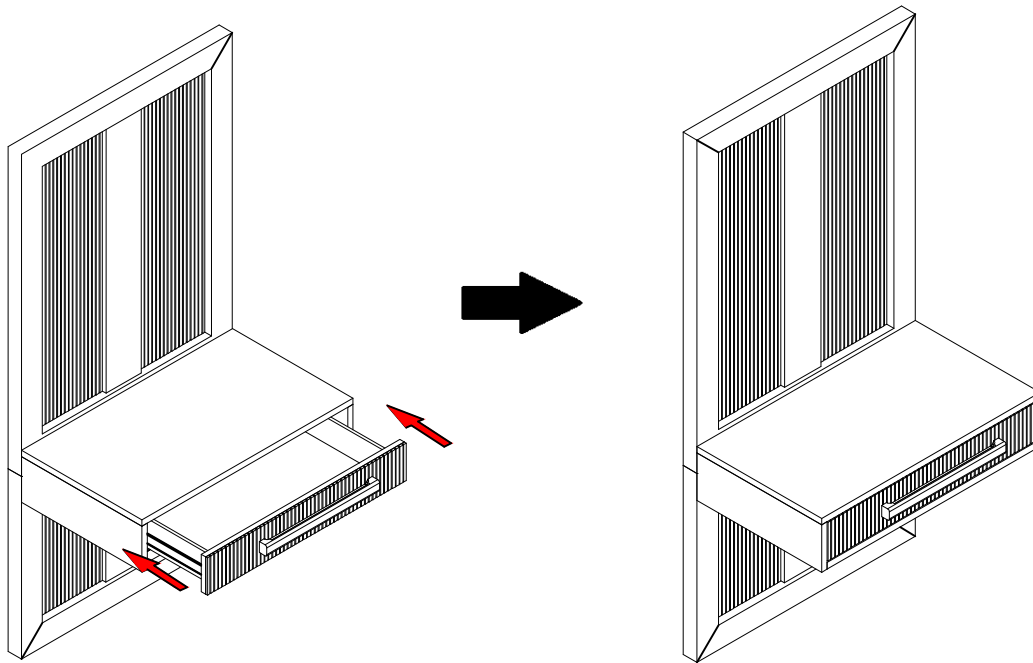


STEP 2

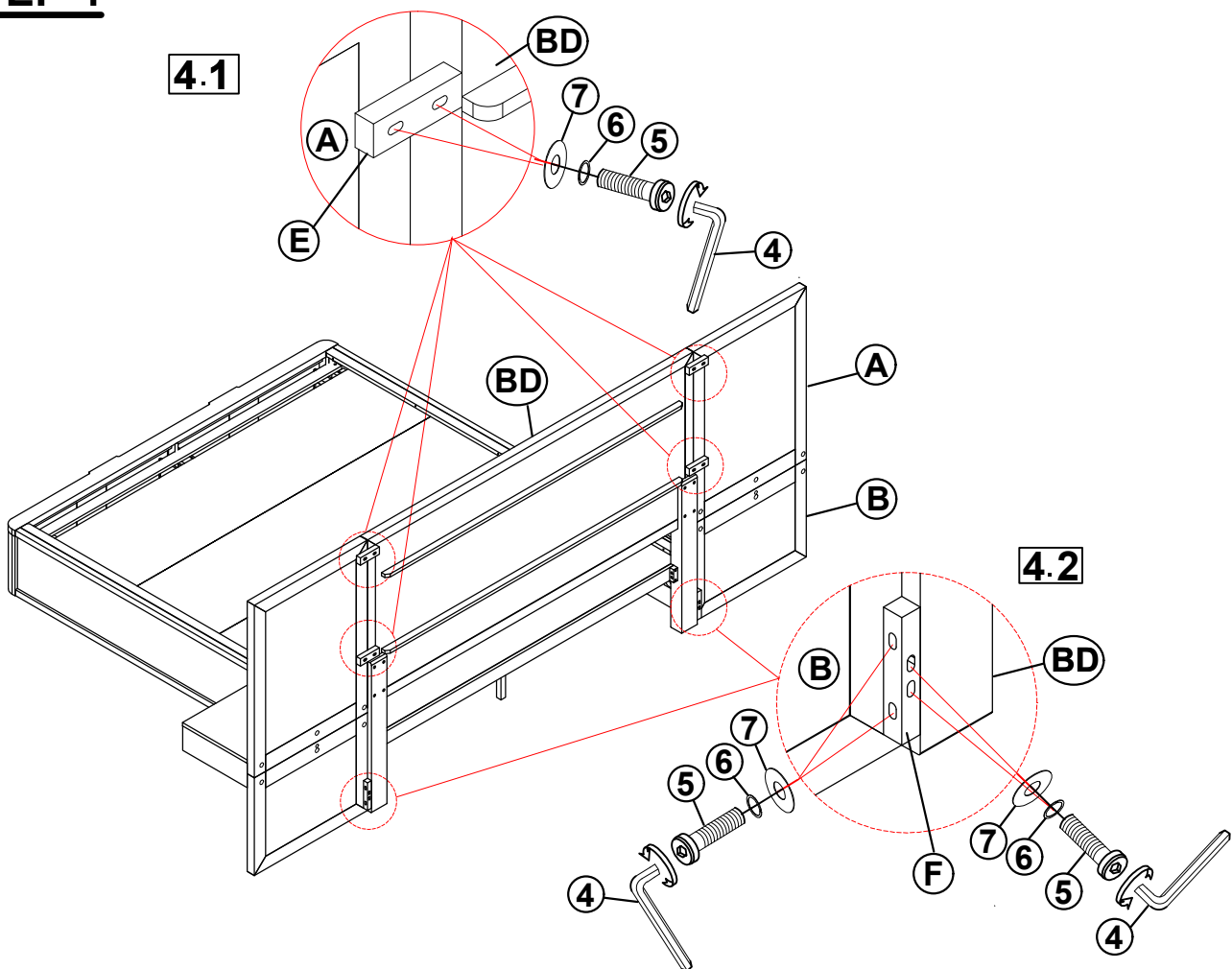


ITEM: **224907**
ASSEMBLY INSTRUCTIONS

STEP 3



STEP 4



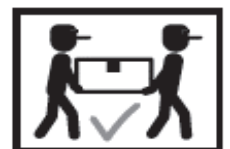
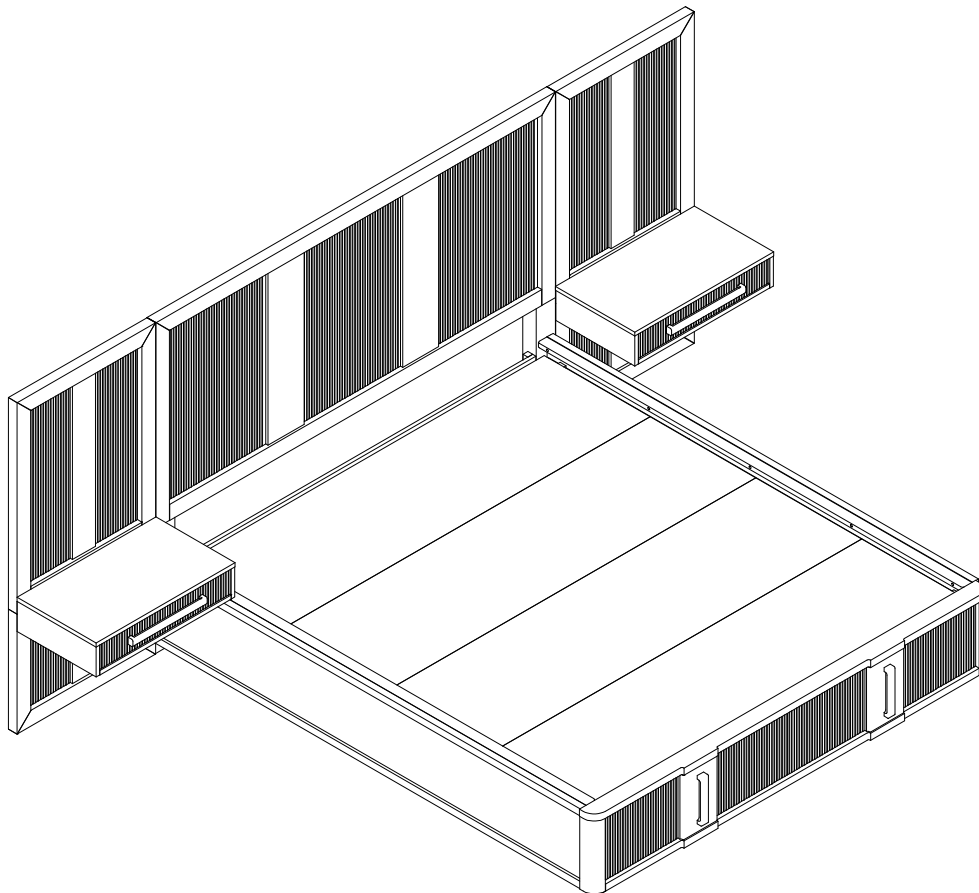
ITEM: **224907**

ASSEMBLY INSTRUCTIONS



STEP 5

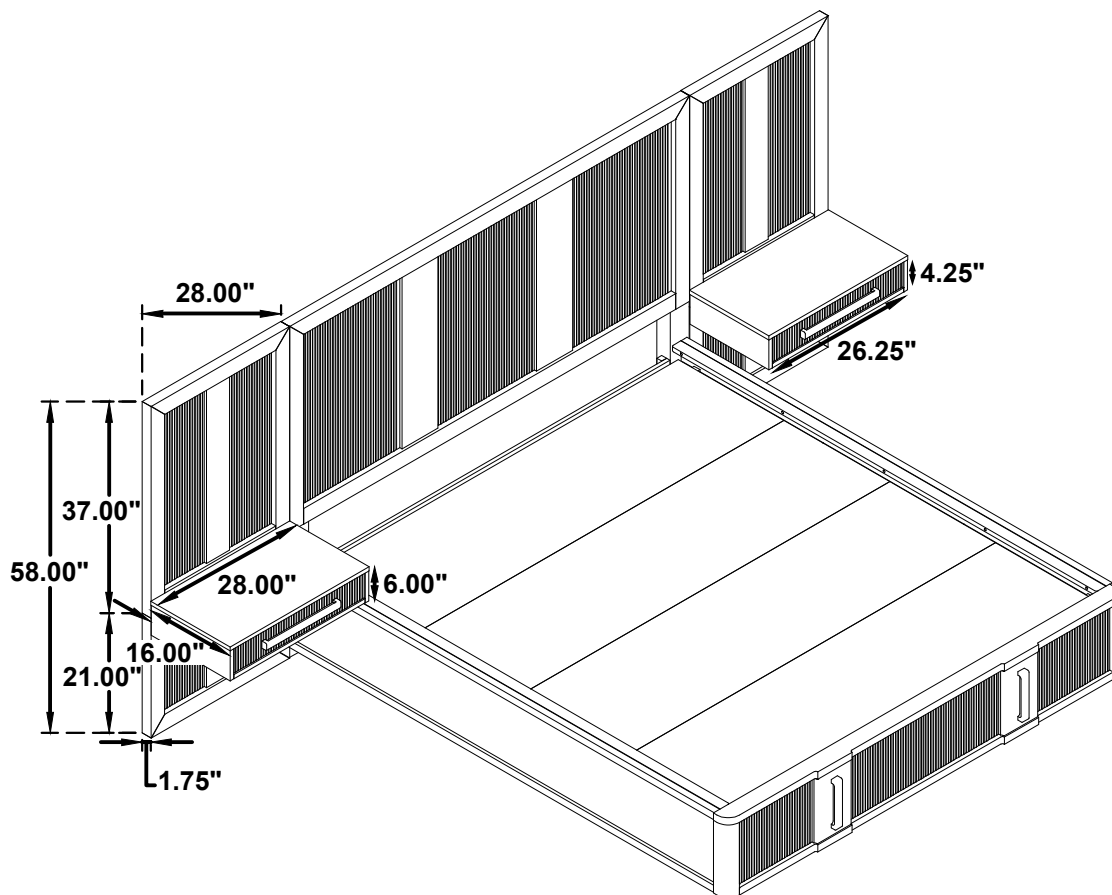
COMPLETE



ITEM: **224907**



Inner Size of Drawer : 23.25"W x 12.75"D x 2.75"H x 0.25T



Note : Dimension tolerance $\pm 5\%$

ASSEMBLY INSTRUCTIONS
COASTER FINE FURNITURE



Fine Furniture for every stage of life

224903
Dresser

ITEM: **224903**



ASSEMBLY INSTRUCTIONS

ASSEMBLY TIPS:

1. Remove hardware from box and sort by size.
2. Please check to see that all hardware and parts are present prior to start of assembly.
3. Please follow attached instructions in the same sequence as numbered to assure fast & easy assembly.

WARNING



1. Don't attempt to repair or modify parts that are broken or defective. Please contact the store immediately.
- 2 This product is for home use only and not intended for commercial establishments.

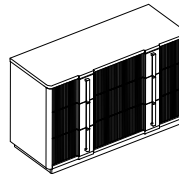


ASSEMBLY TIME

5 MINUTES

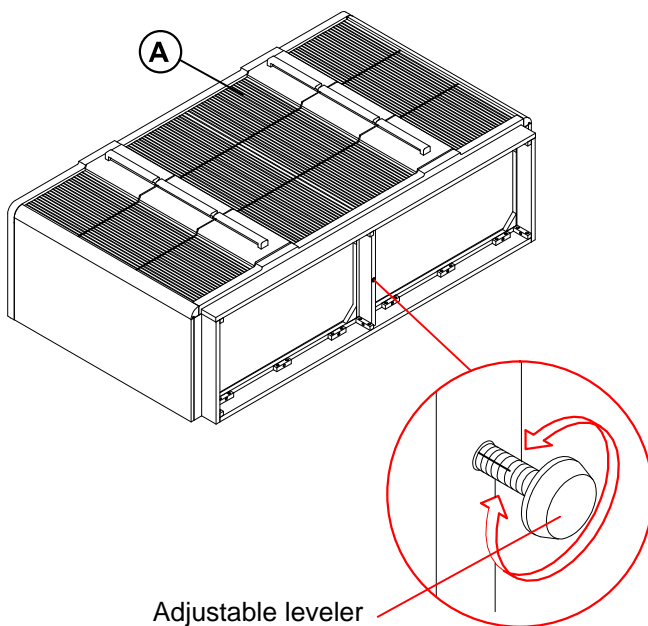
PARTS IDENTIFICATION

A DRESSER



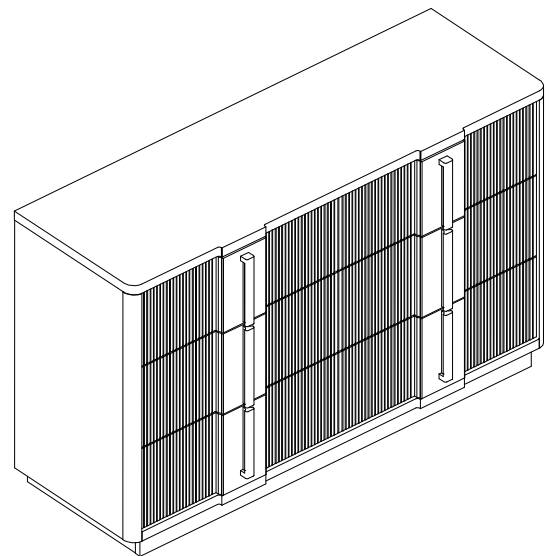
1PC

STEP 1



Adjustable leveler

STEP 2 COMPLETE



ANTI-TIPPING INSTALLATION INSTRUCTIONS FURNITURE TIPPING RESTRAINT

WARNING

Injury may result from tipping furniture.

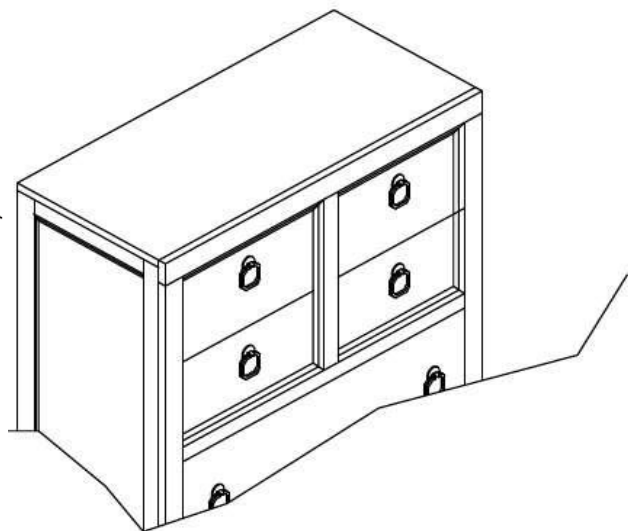
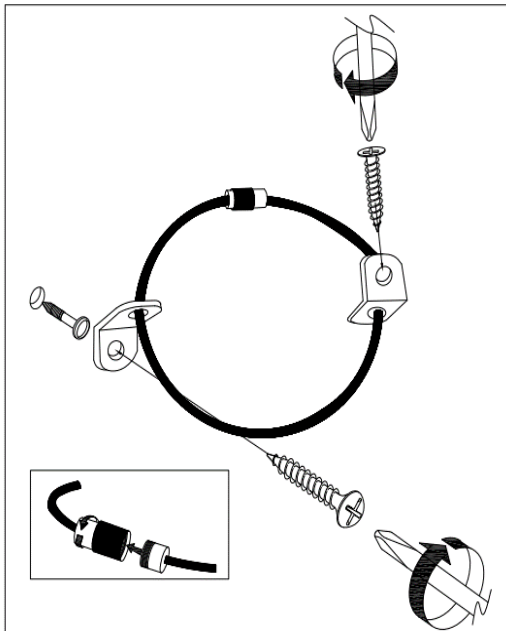
This restraint may protect against tipping furniture.

Do not allow children to climb on furniture.

This restraint is not a substitute for proper adult supervision.

Failure to detach this restraint before moving the furniture may result in injury and damage.

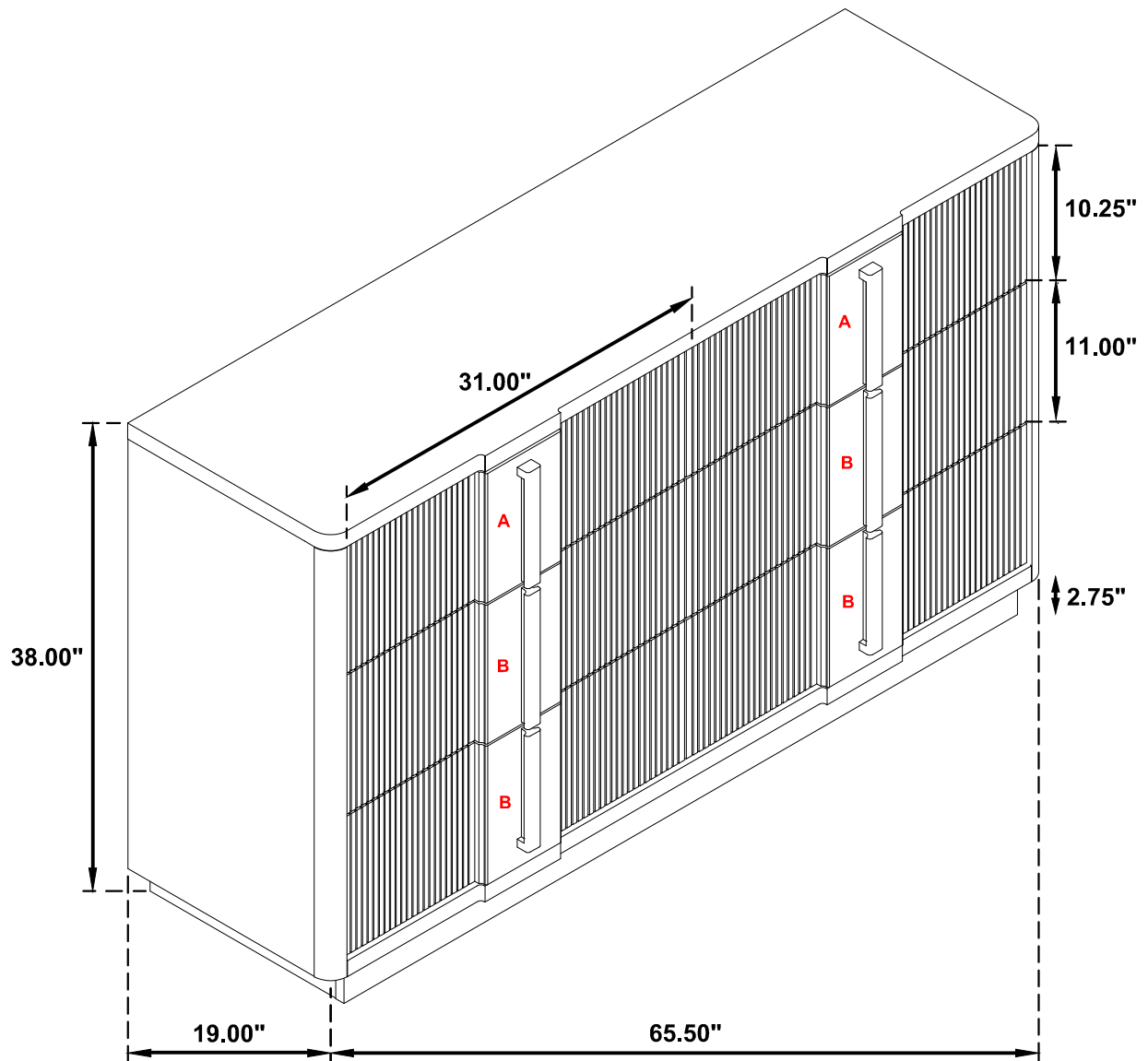
1. Attach one of the mounting brackets securely to the back edge of the unit, using the short screw.
2. Determine where the unit is to be placed, and mark the location on the wall for the other mounting bracket. The bracket on the wall needs to be approximately 2" below the bracket mounted to the edge of the unit.
3. Drill a hole in the wall. Insert the plastic wall anchor into the hole and if necessary, use a small block of wood and hammer to tap it in so that it's flush with the wall.
4. Attach the bracket over the plastic wall anchor using the long screw.
5. Place the unit against the wall, both brackets need to be facing each other.
6. Lace an end of the restraint strap through the hole in each bracket. Bring both ends together and rotate the thumb nut onto the threaded end until tight.
7. Ensure that the restraint strap is securely laced and locked.



ITEM: **224903**

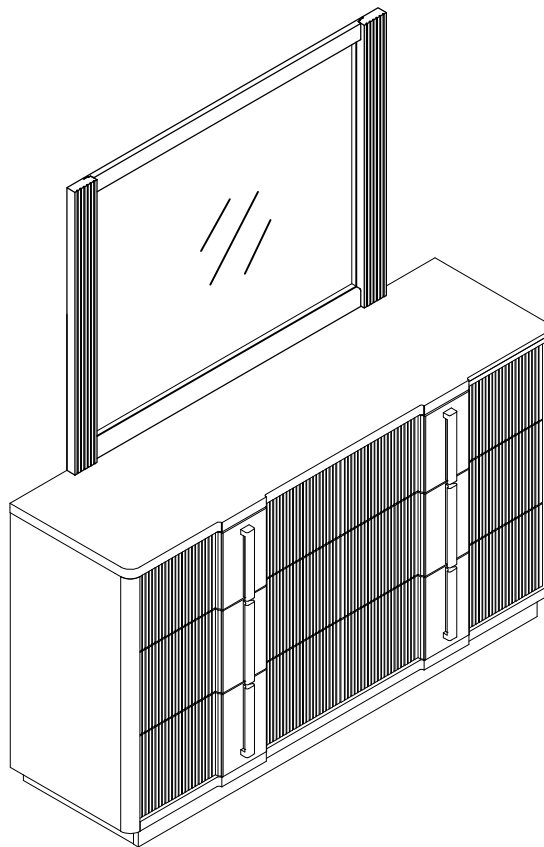


Inner Size of Drawer A : 29.00"W x 13.75"D x 7.25"H x 0.25"T
Inner Size of Drawer B : 29.00"W x 13.75"D x 8.50"H x 0.25"T



Note : Dimension tolerance $\pm 5\%$

ASSEMBLY INSTRUCTIONS
COASTER FINE FURNITURE



Fine Furniture for every stage of life

224904
Mirror

ITEM: 224904



ASSEMBLY INSTRUCTIONS

ASSEMBLY TIPS:

1. Remove hardware from box and sort by size.
2. Please check to see that all hardware and parts are present prior to start of assembly.
3. Please follow attached instructions in the same sequence as numbered to assure fast & easy assembly.

WARNING



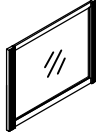
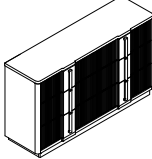

1. Don't attempt to repair or modify parts that are broken or defective. Please contact the store immediately.
- 2 This product is for home use only and not intended for commercial establishments.







ASSEMBLY TIME

5 MINUTES

PARTS IDENTIFICATION

A	MIRROR		1PC
B	DRESSER FROM BOX ITEM 224903		1PC
C	MIRROR SUPPORT (PACKED WITH DRESSER)		2PCS

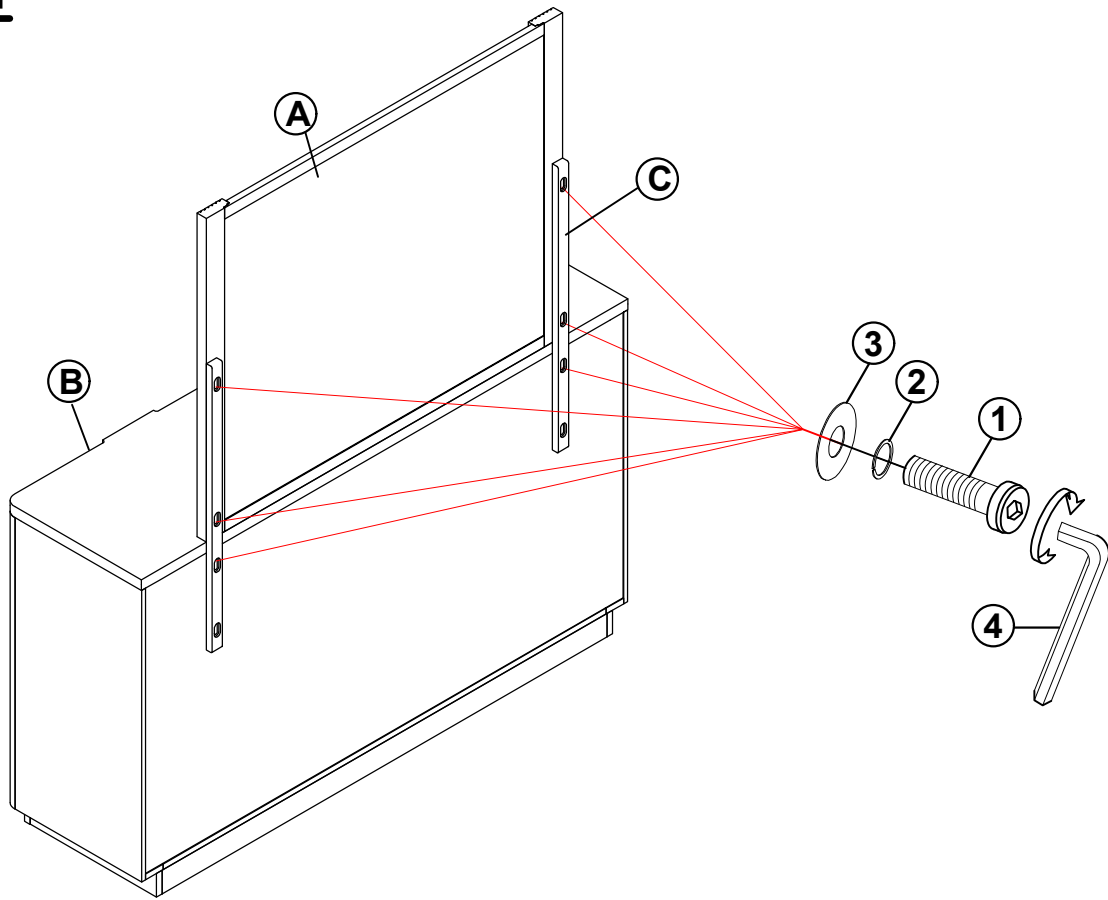
HARDWARE IDENTIFICATION

1	BOLT (1/4" x 32mm - RBW)		6PCS
2	LOCK WASHER (1/4" - RBW)		6PCS
3	FLAT WASHER (1/4" x 19 x 1.5mm - RBW)		6PCS
4	ALLEN WRENCH (4mm - RBW)		1PC

ITEM: **224904**

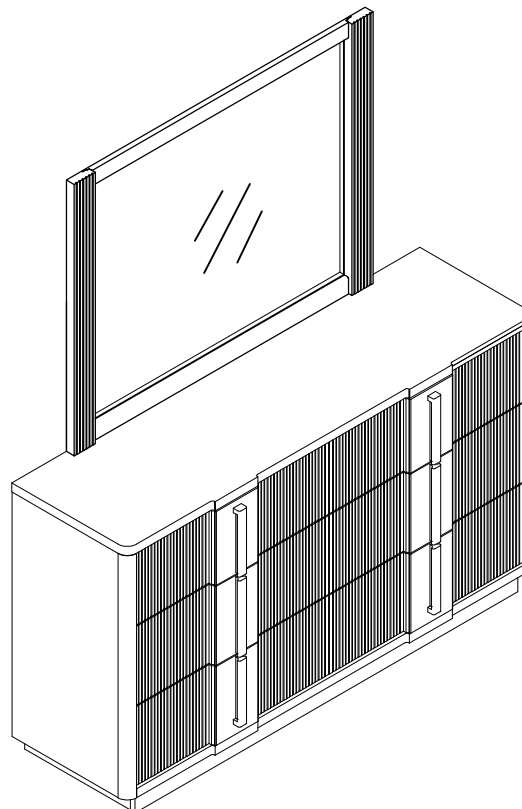
ASSEMBLY INSTRUCTIONS

STEP 1



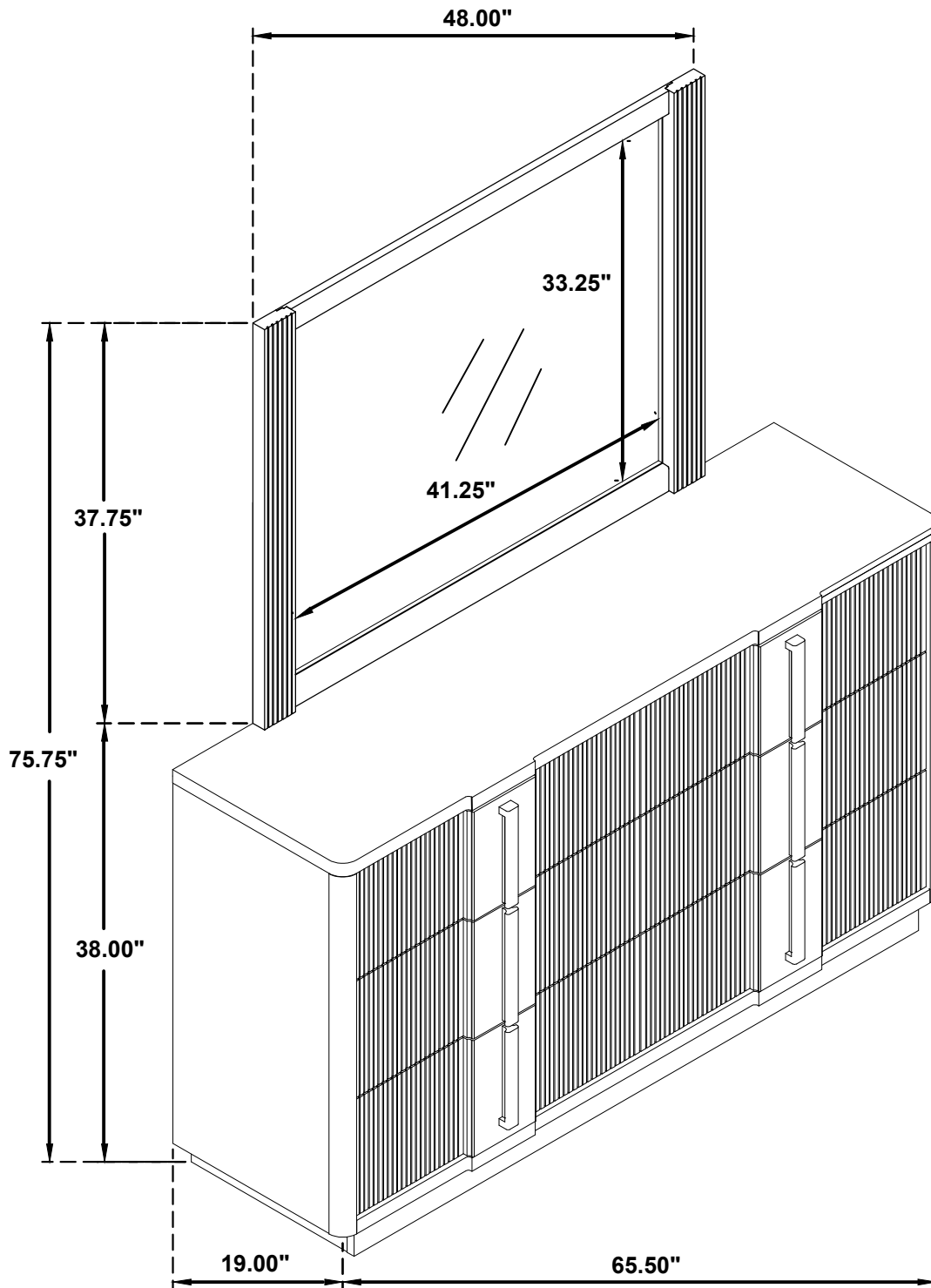
STEP 2

COMPLETE



ITEM: 224904

COASTER
FINE FURNITURE



Note : Dimension tolerance $\pm 5\%$