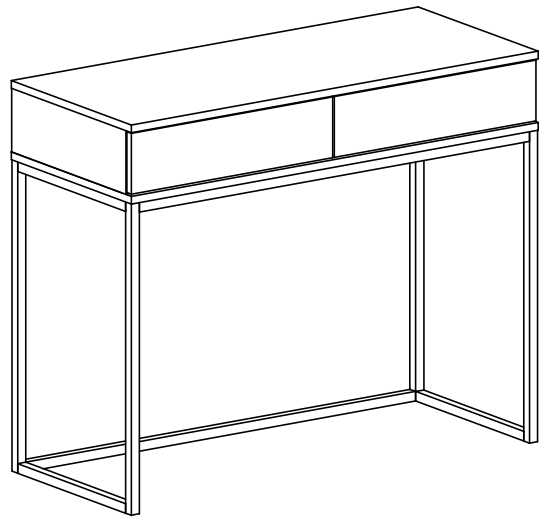
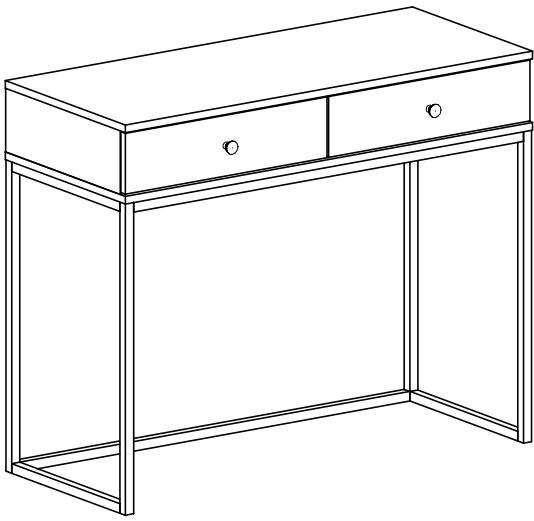
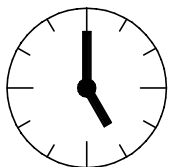
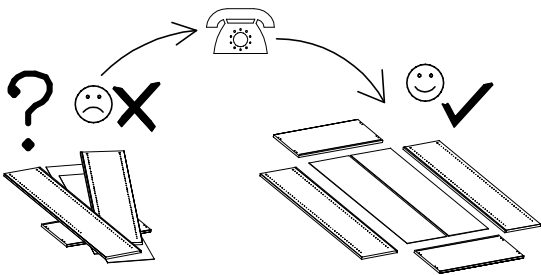
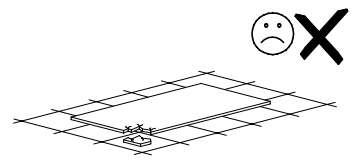
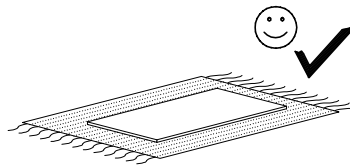
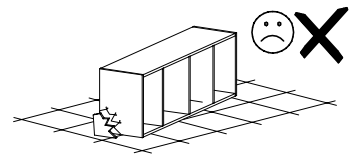
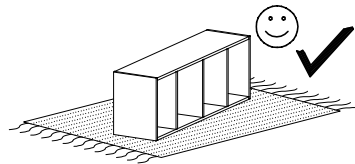
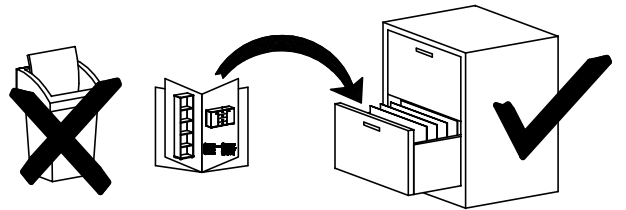
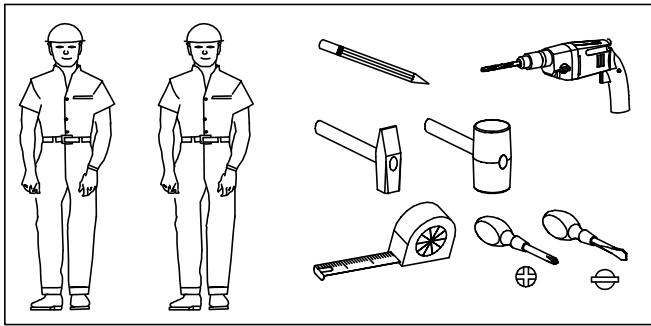


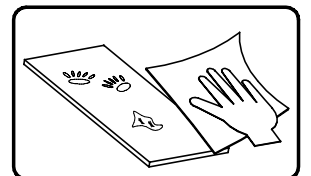
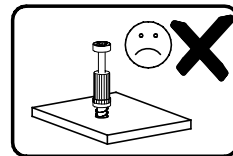
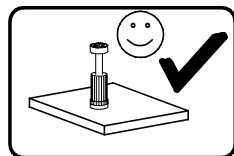
TABLE

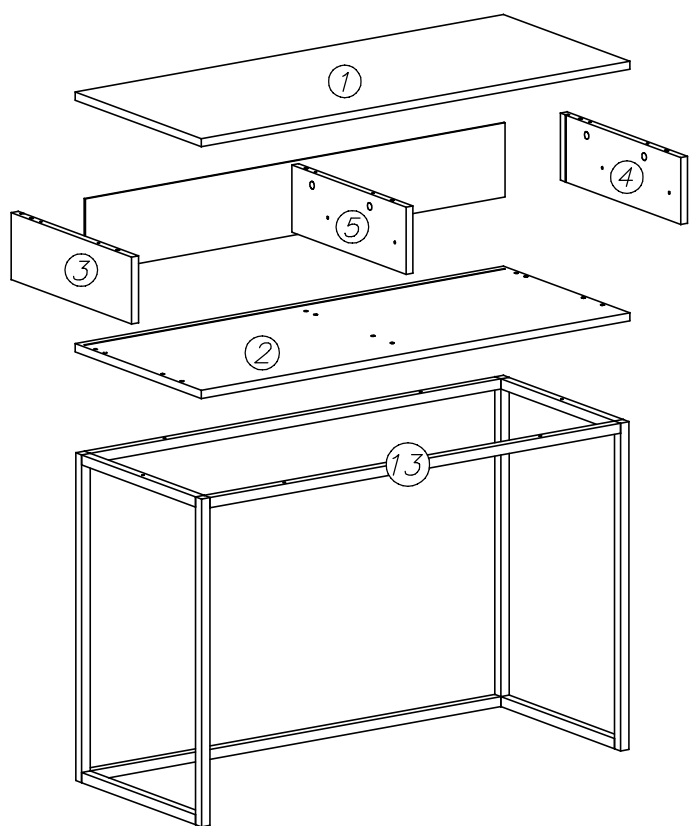
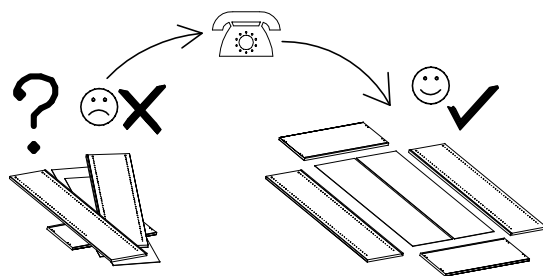
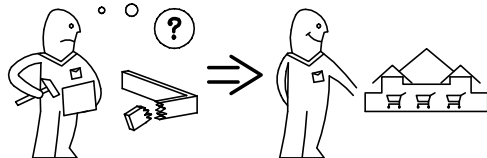
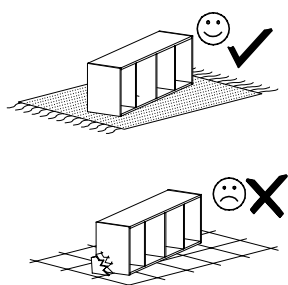


PUSH

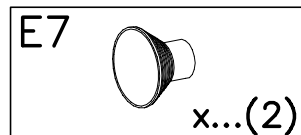


1,5h

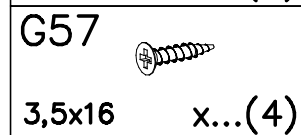
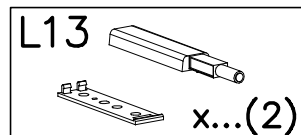
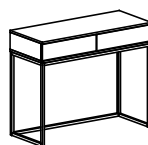




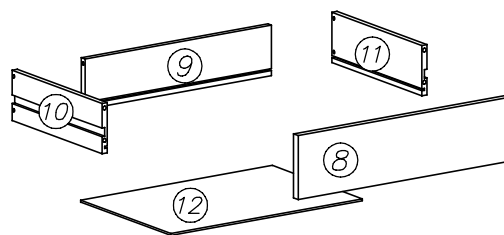
A



B



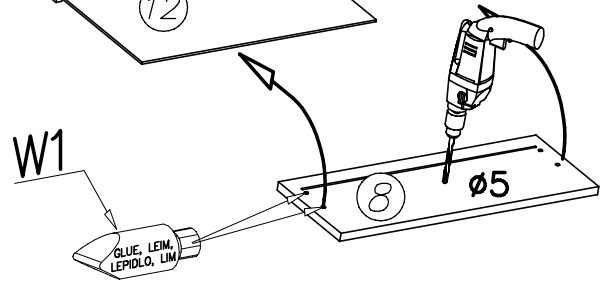
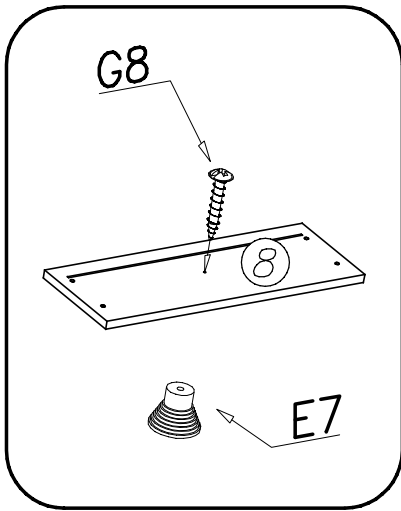
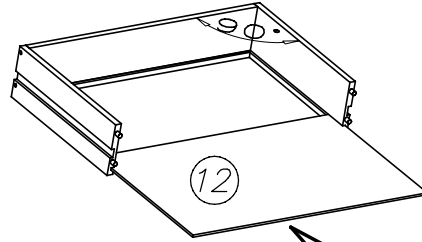
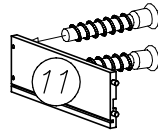
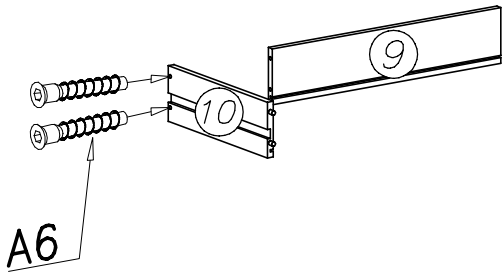
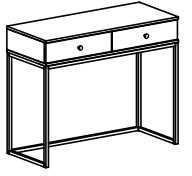
PUSH



	G34 3,5x16 x...(2)	M11 x...(1)	G28 4x60 x...(1)	U6 ø8x40 x...(1)
I22 x...(4)	G49 6x20 x...(4)	H3 280mm x...(4)	G50 6x13 x...(4)	
K1 ø15x12 x...(6)	G8 4x30 x...(8)	N1 M4x9 x...(4)	I1 x...(4)	W1 GLUE, LEIM, LEPIDLO, LIM x...(1)
K10 x...(6)	B1 ø8x35 x...(20)	W2 x...(1)	A6 ø7x40 x...(8)	A1 ø7x50 x...(6)

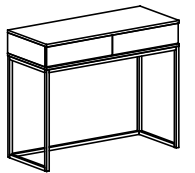
I

A

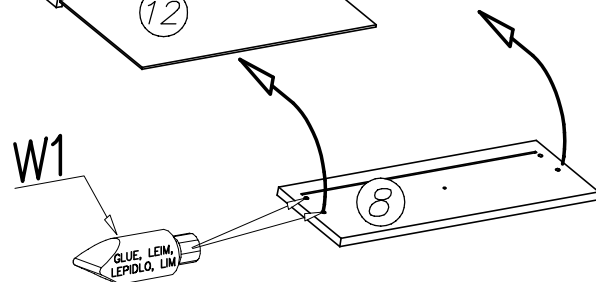
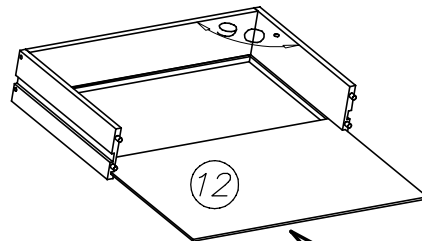
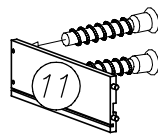
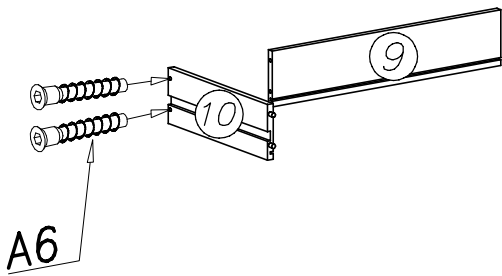


II

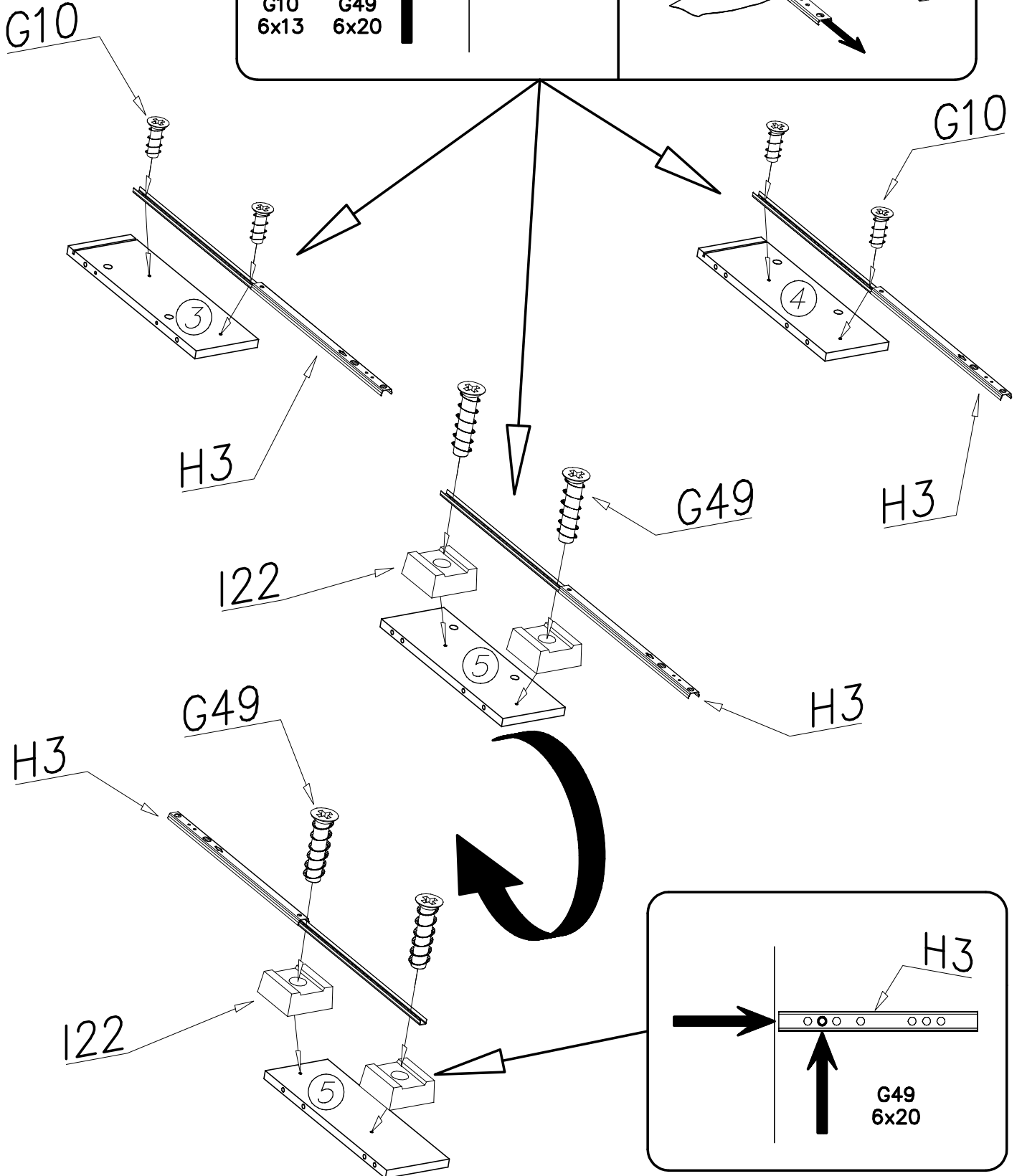
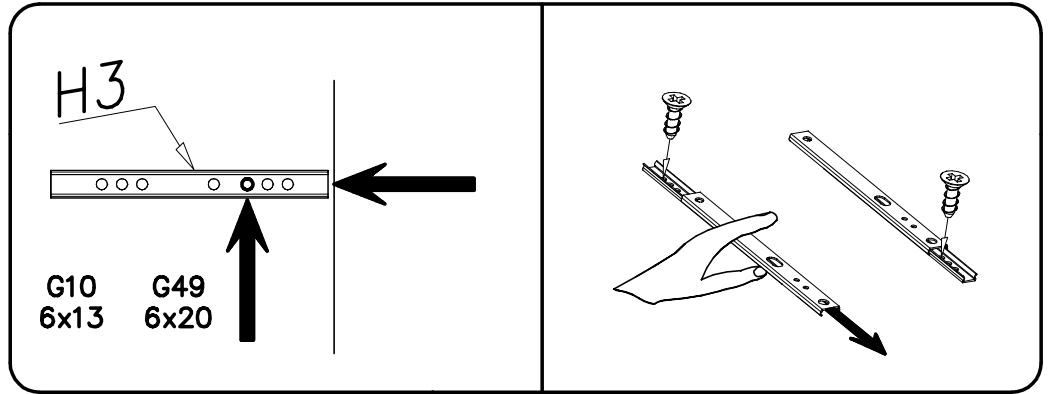
B



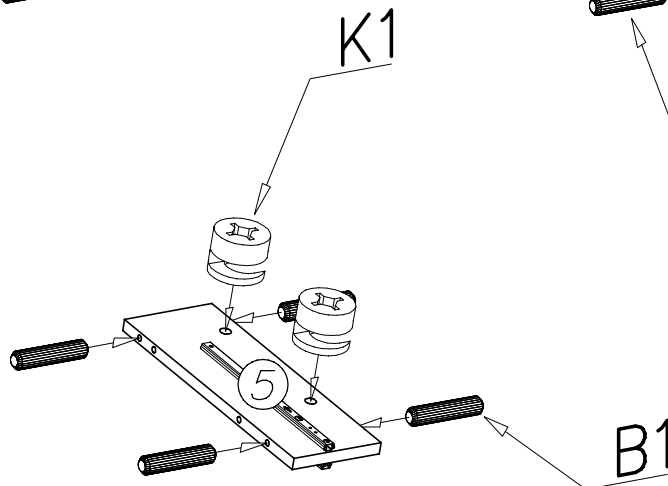
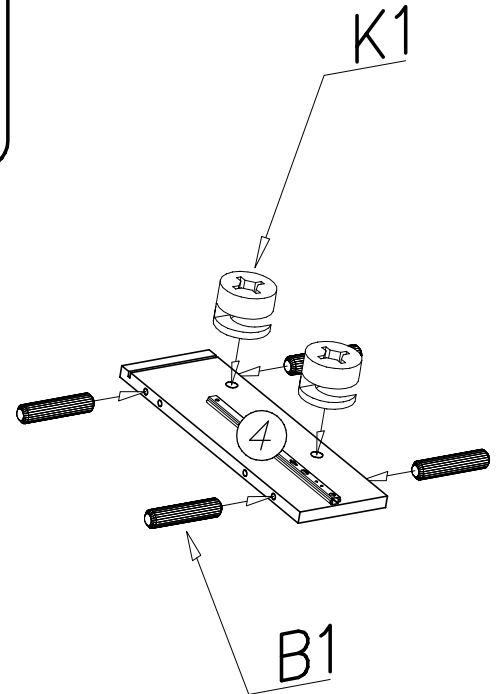
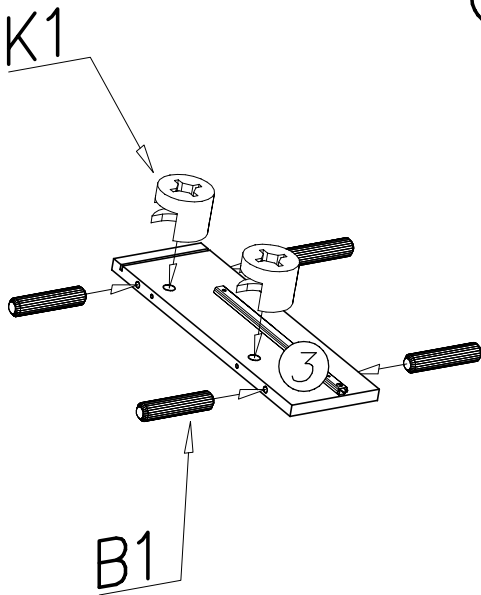
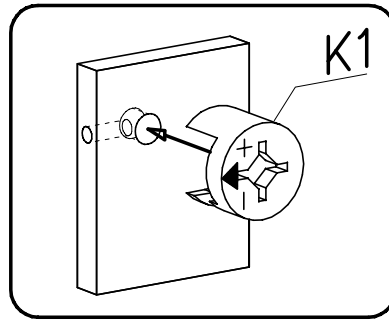
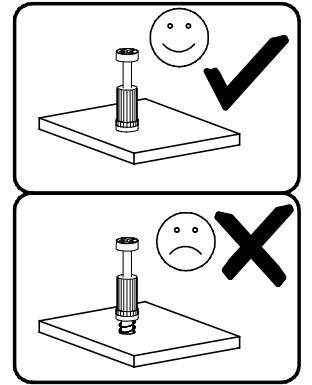
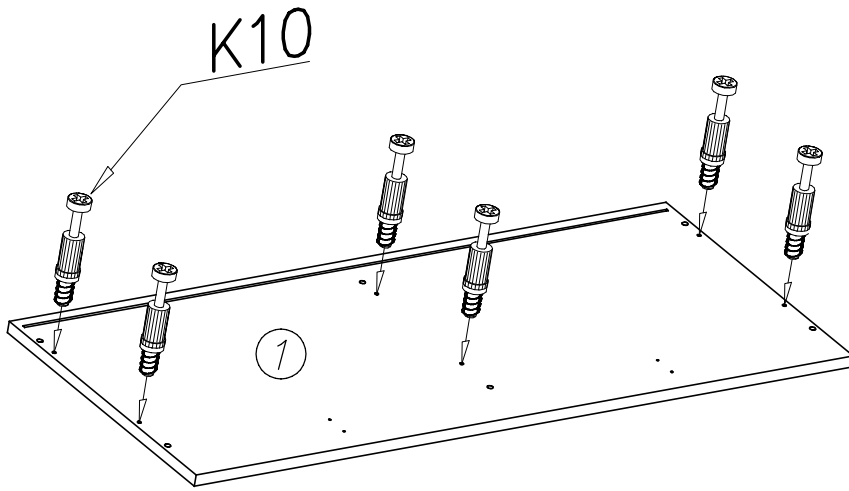
PUSH



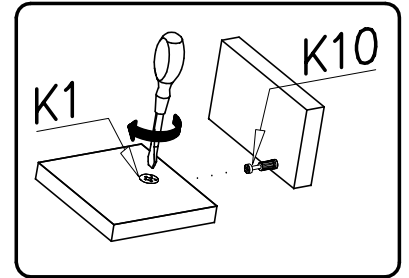
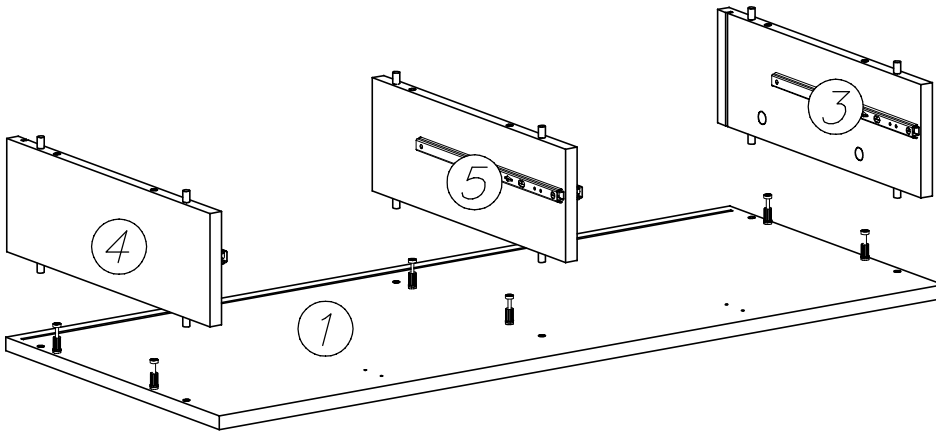
III



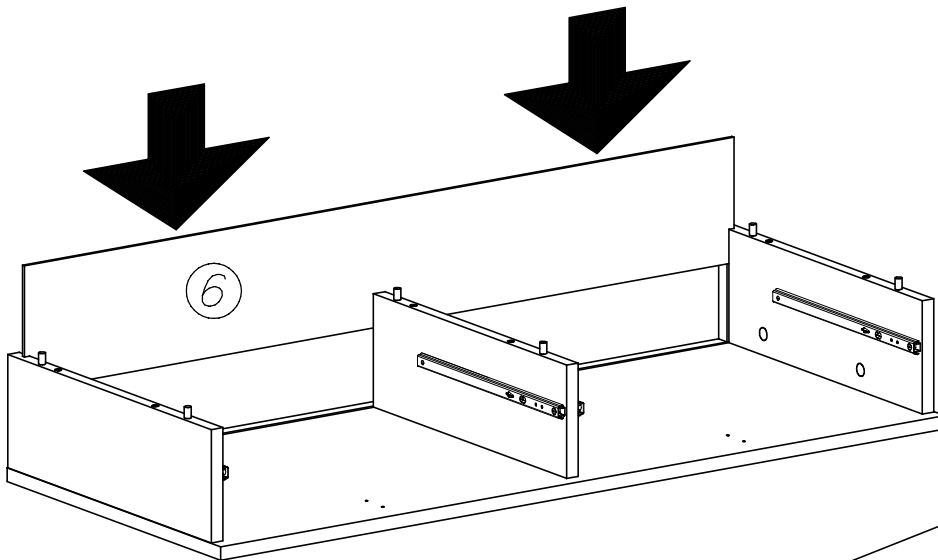
IV



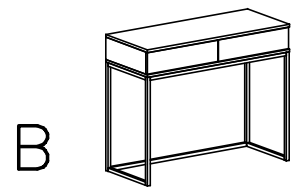
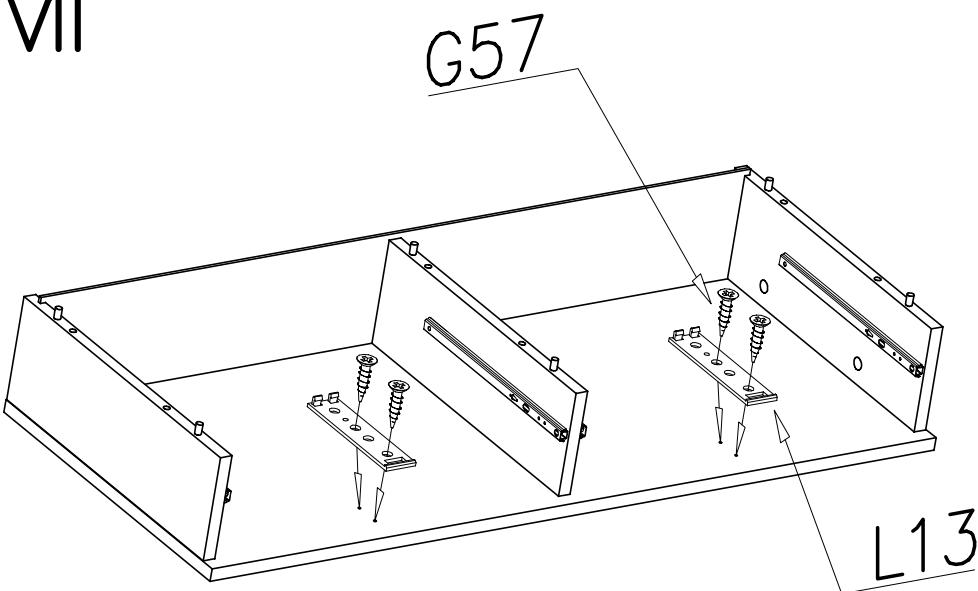
V



VI

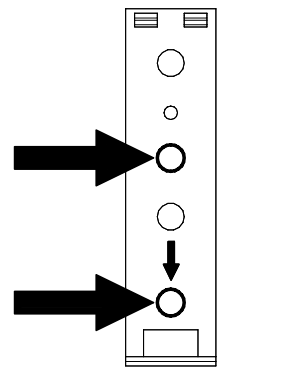


VII



B

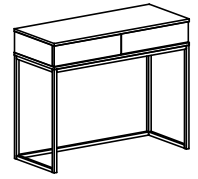
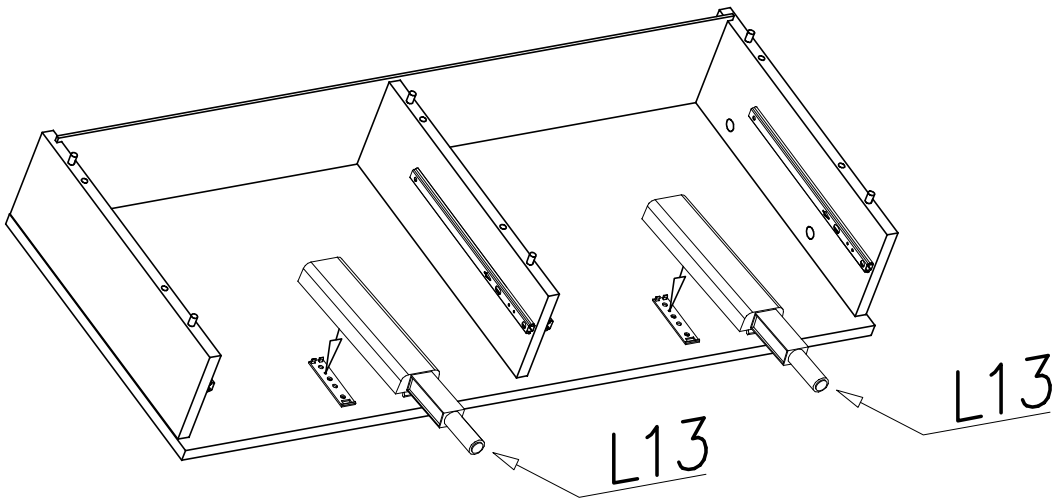
PUSH



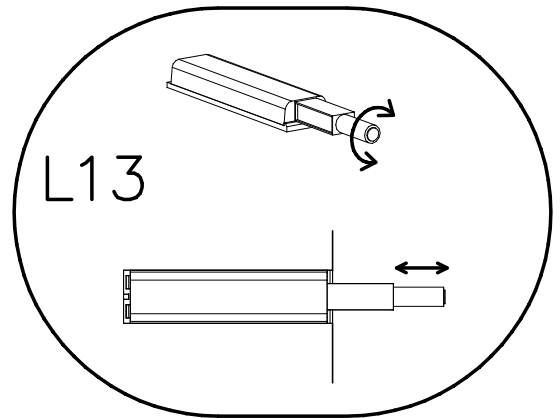
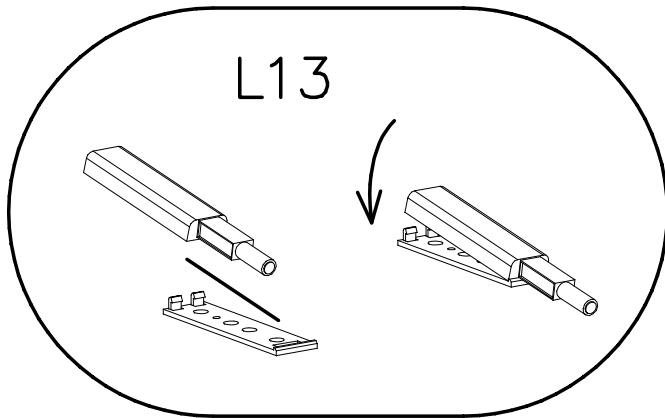
front

VIII

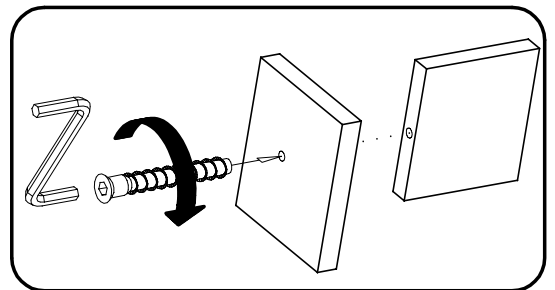
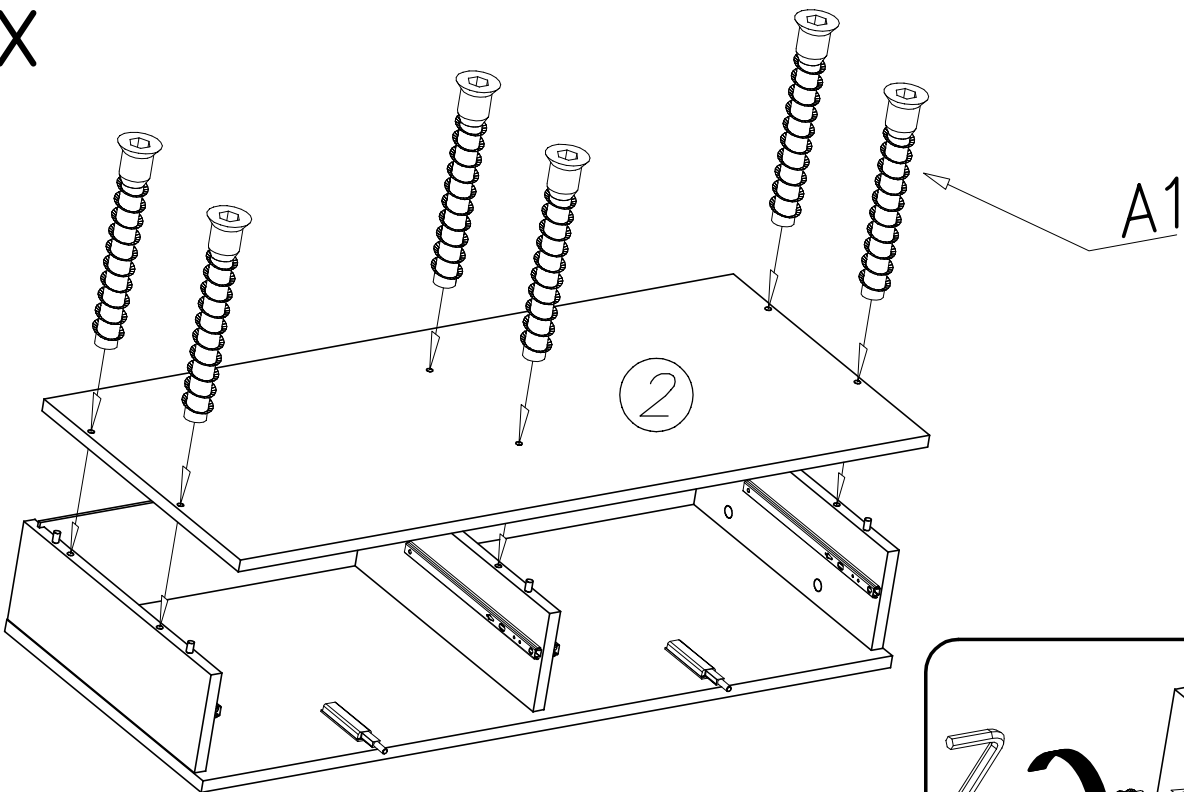
B



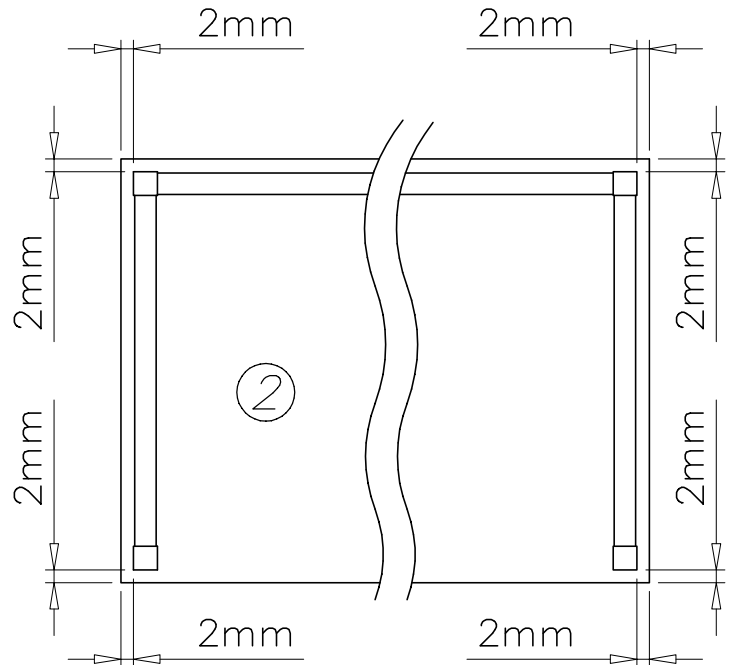
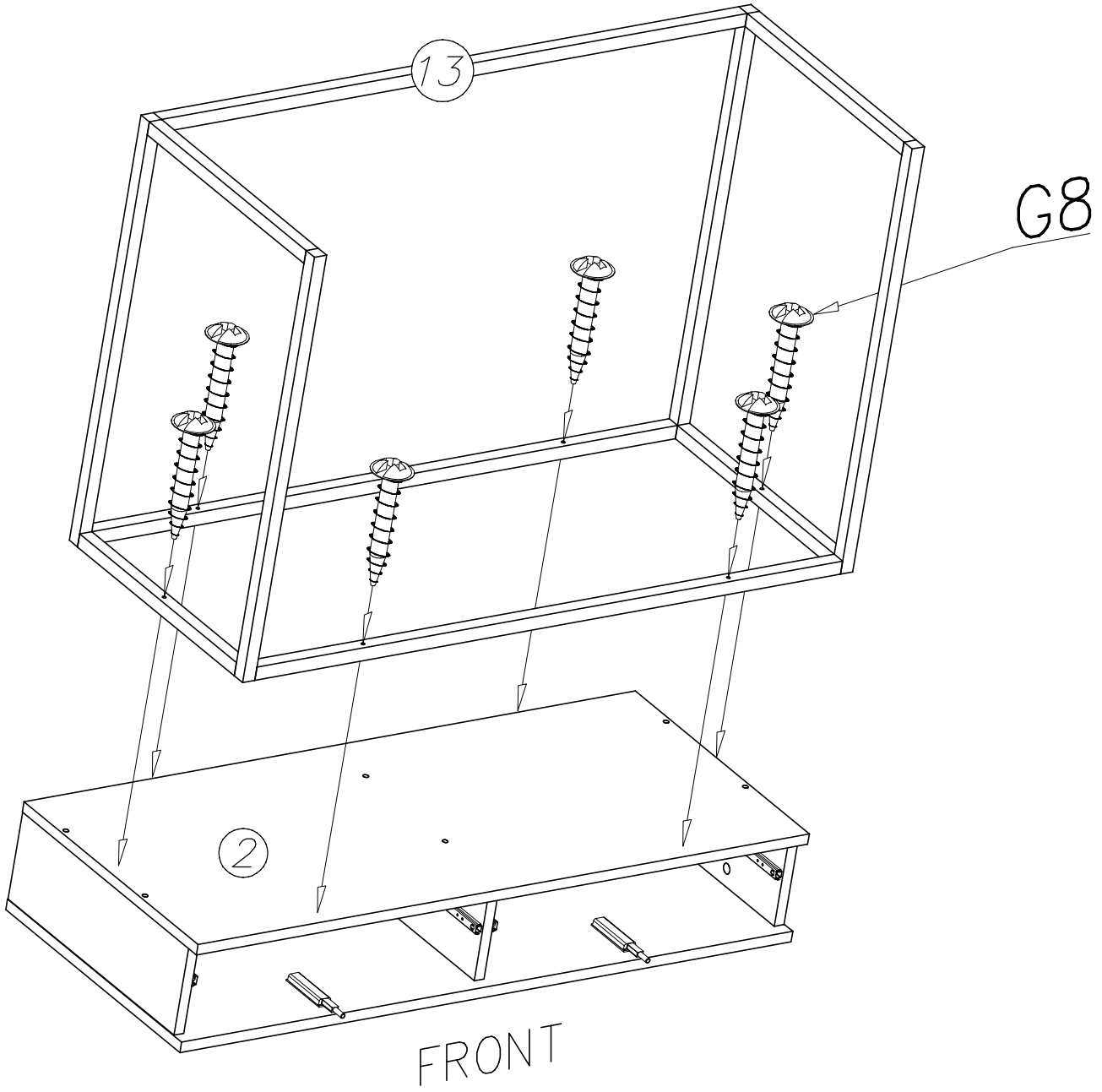
PUSH



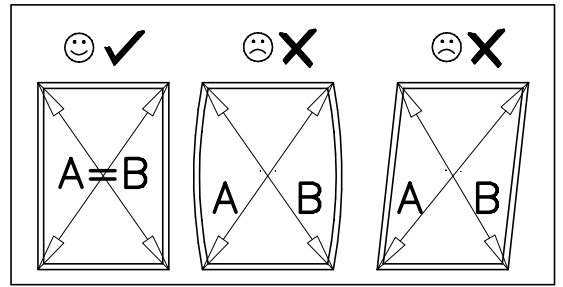
IX



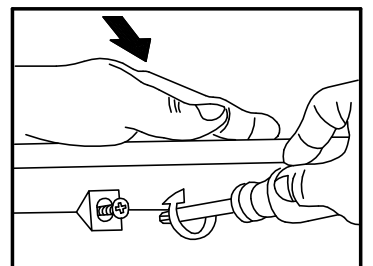
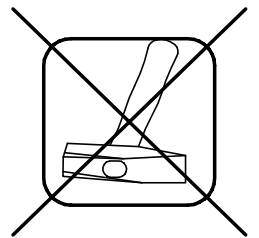
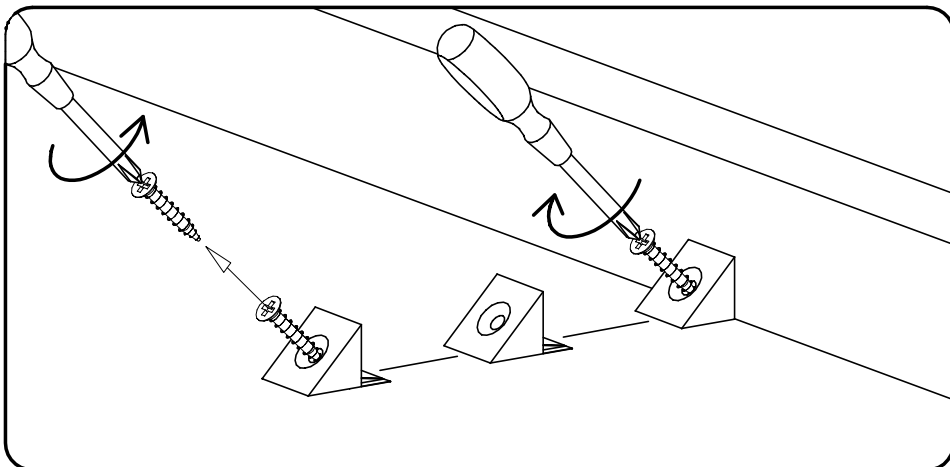
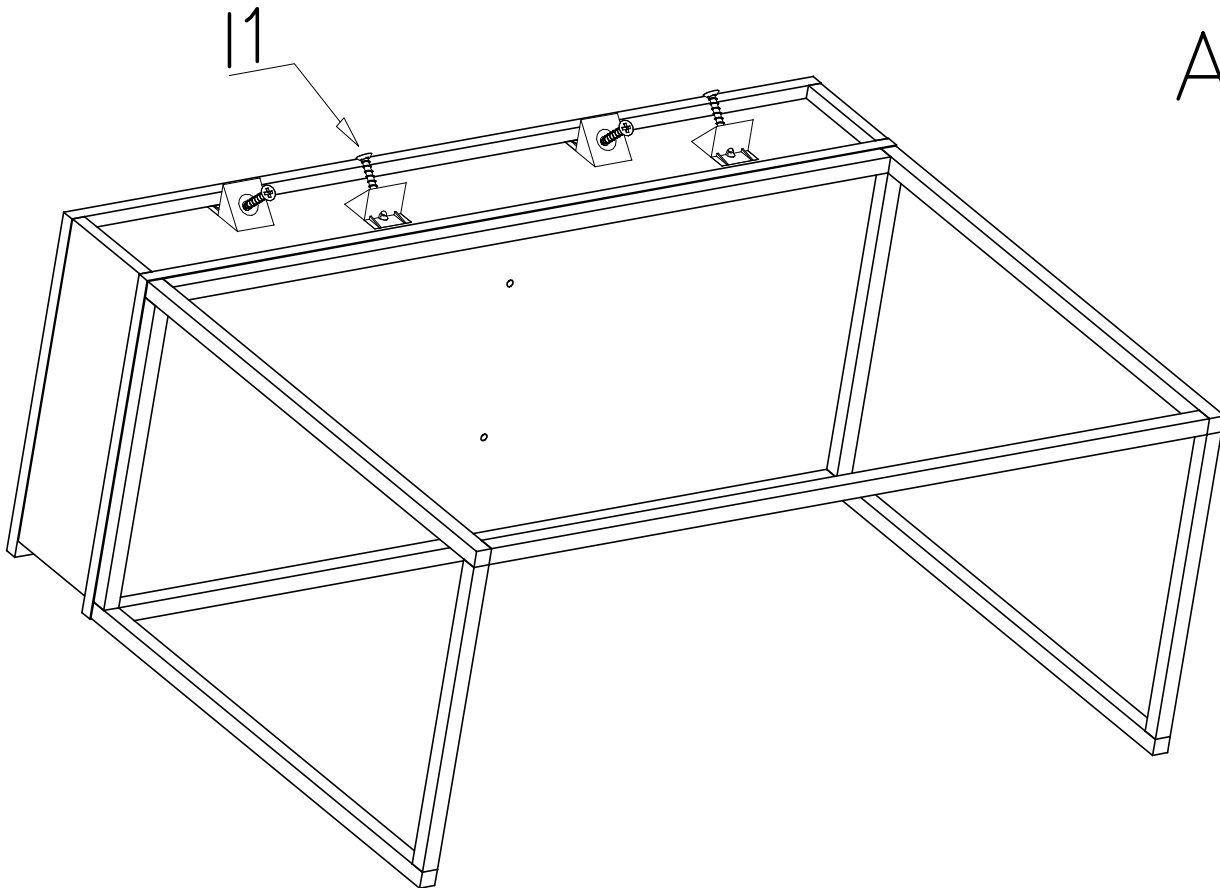
X

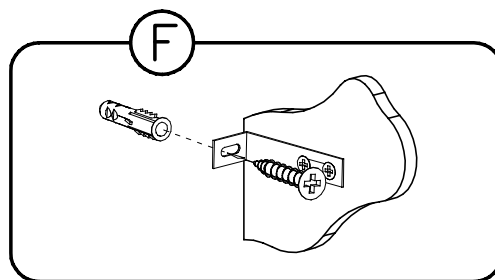
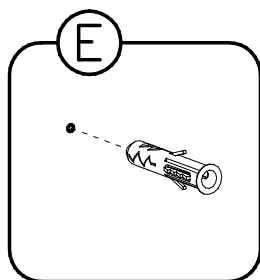
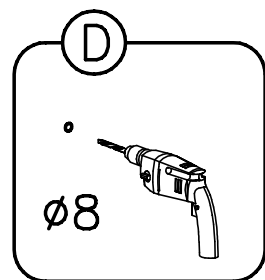
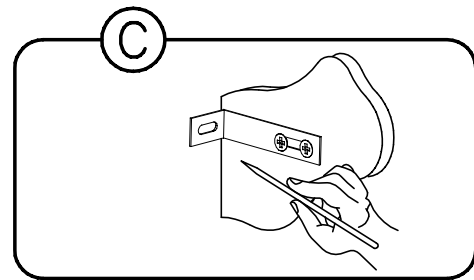
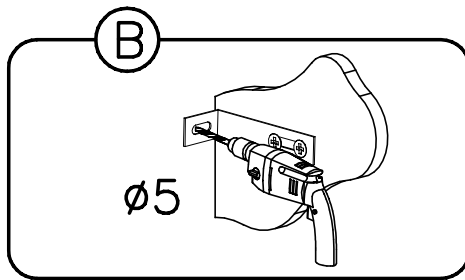
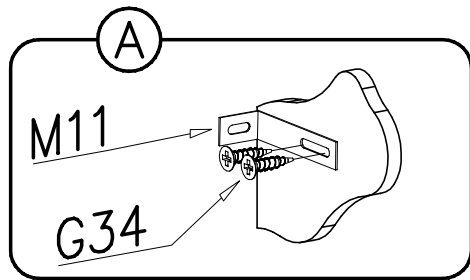


XI

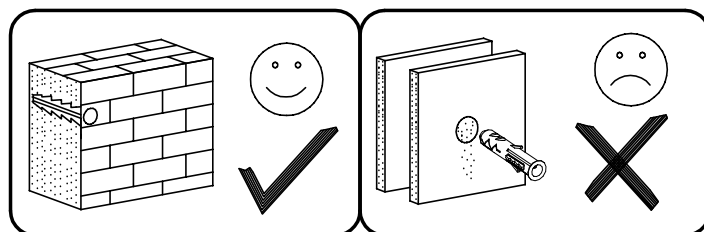
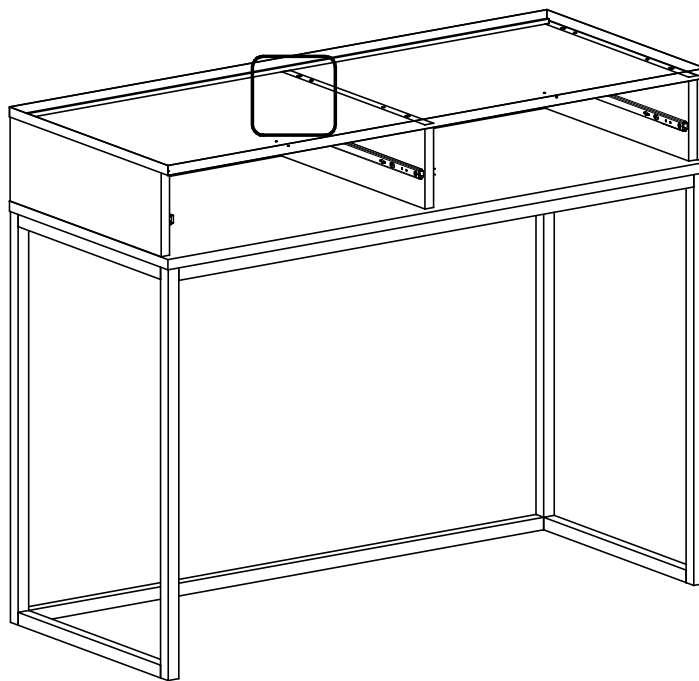


A=B

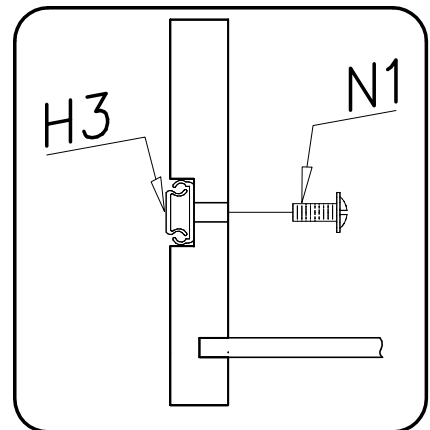
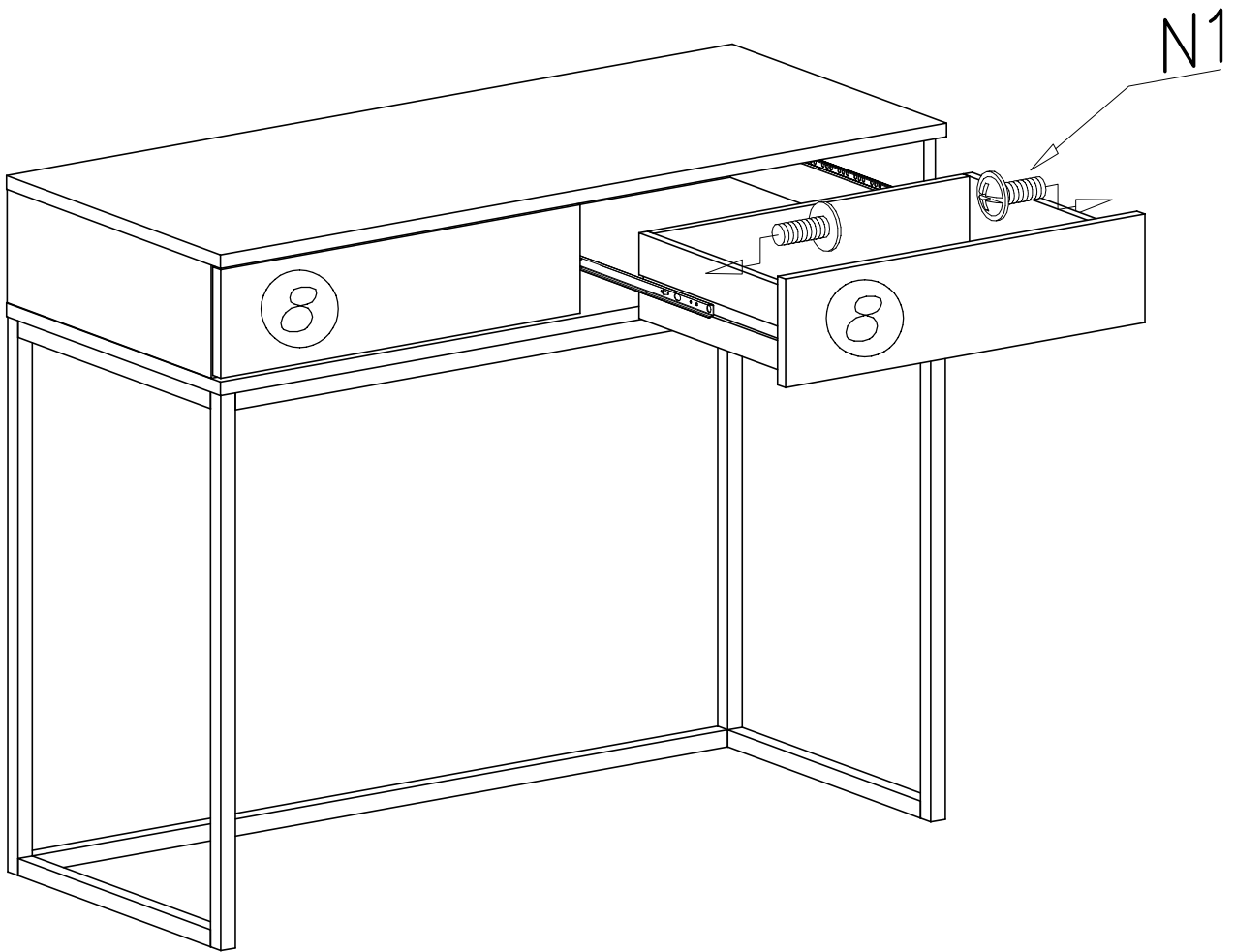


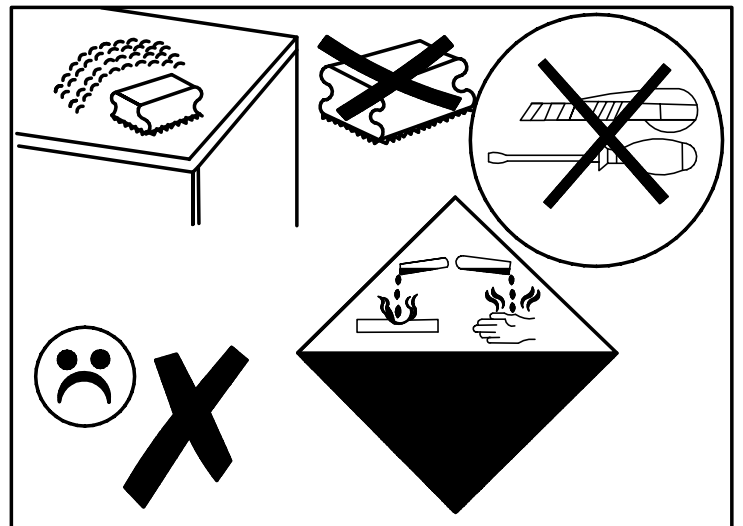
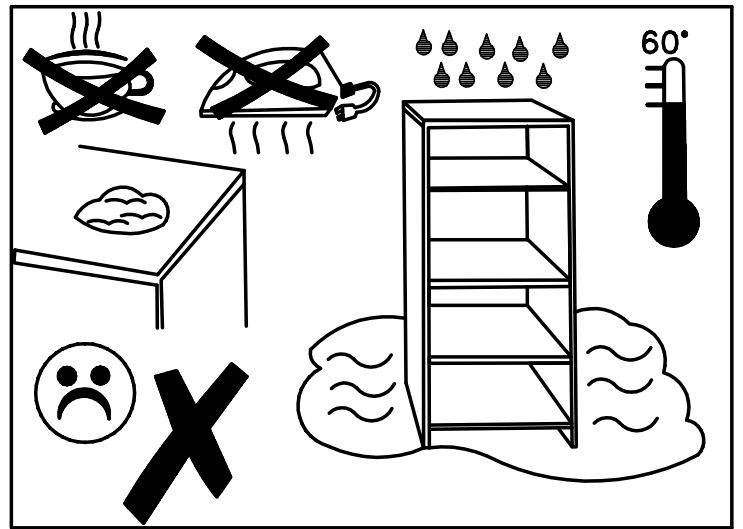
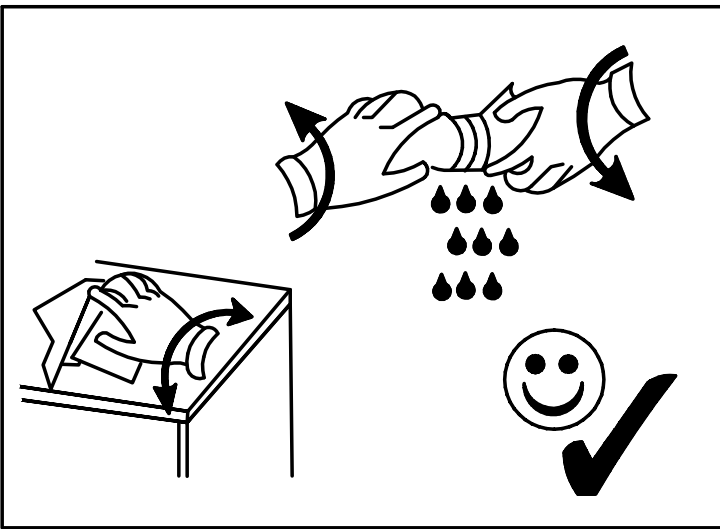
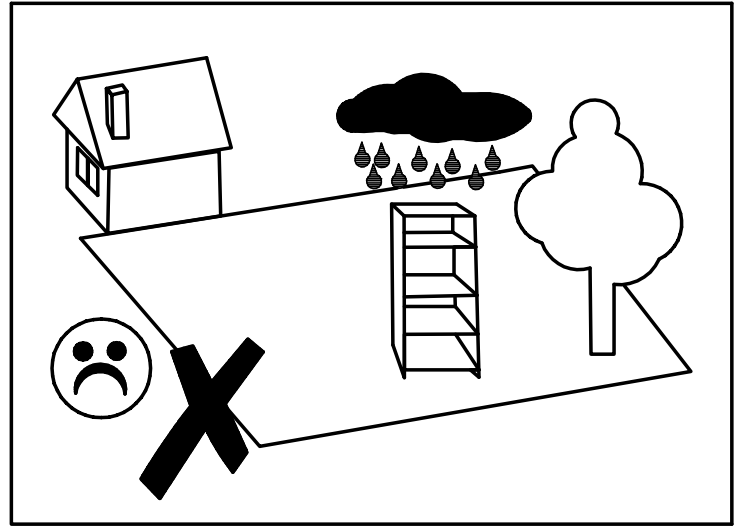
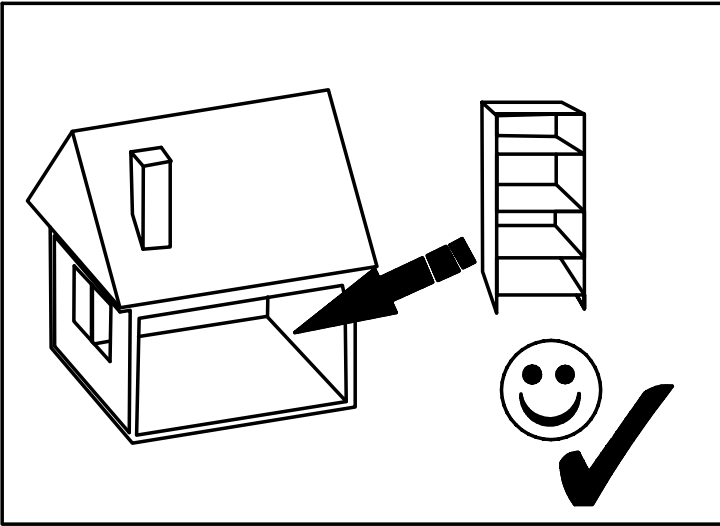
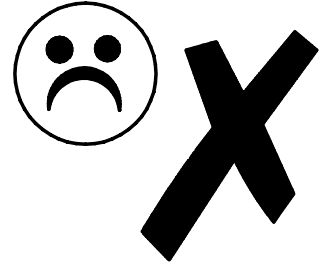


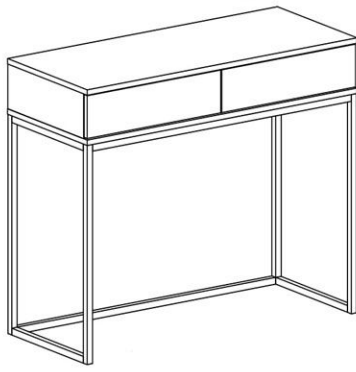
XII



XIII







1

A



x1

B



x1

C



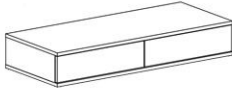
x4

D



x8

E

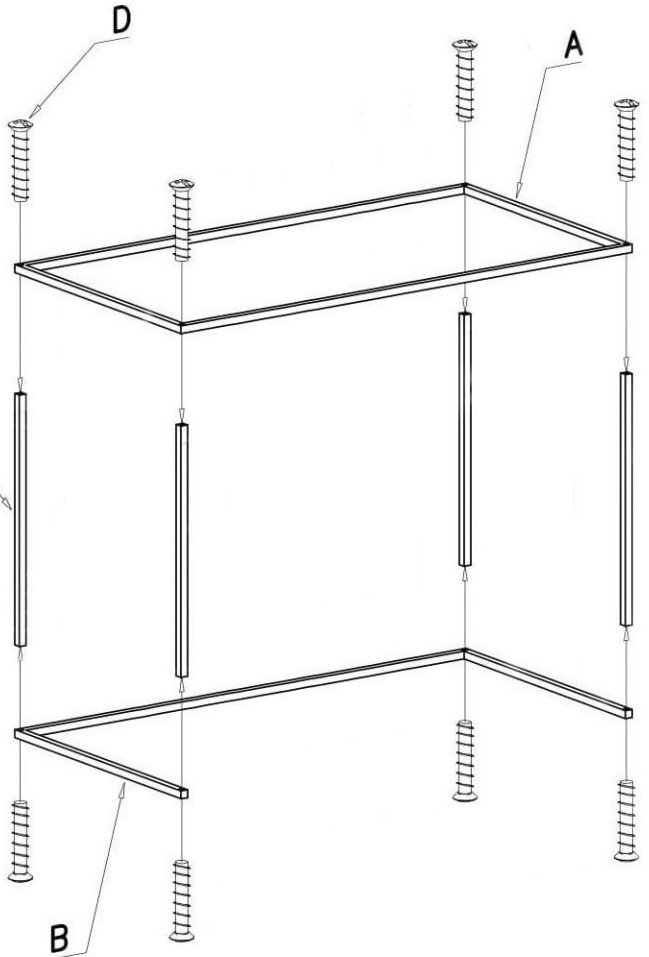
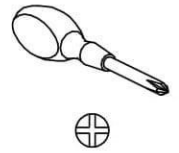


x1

F



x6



2

