

DREAMS

IDEA

Instruction Manual



DREAMS/DEA

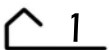
NO.DINCH02S

ABOUT US

DREAMSIDEA IS A ONE-STOP HOME
FURNISHING AND SERVICE COMPANY BASED IN USA.
WE ARE DEDICATED TO BRING YOUR DREAM HOME TO LIFE.
OUR SERVICES COVER FROM DESIGN, PRODUCTION,
DIRECT SELL, STORAGE, AND TRANSPORTATION.

IF REALITY IS THE NEAR SHORE
AND IDEALISM THE FAR SHORE,

DREAMSIDEA
AS THE FERRY BETWEEN THEM,
EAGER TO ACCOMPANY YOU ON A JOURNEY
TO YOUR IDEAL HOME.



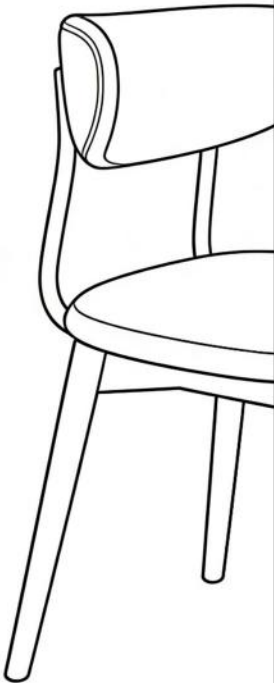
ITEM NO.DINCH02S

WARRANTY

We strive to offer high quality product and we also try our best to satisfy each customer that order from us, no matter on products or services as needed. Each customer receives a record of their order, such as the order number or item receipt. For any items that are out of warranty period, you may still be able to purchase the replacement parts from our company if they are available.

Are you having difficulty
with assembly? Missing parts?
Please contact us : info@firstopintl.com
Tel:(562)-781-3327

send an email with your order No. to us
For return, please check the return policy with
the retailer or platforms you bought from.
Appreciate your purchasing from us.
Pop up your life by our furniture !



MAINTENANCE AND WARNING

Please read the manual thoroughly
before you start installing.

Please keep the product away from
sharp object.

Packaging and small parts may have
chocking hazard, please keep them away
from children and pets.

Please clean the product according to each
clean code, check the product description
for more information.

Please keep the product away from
fire.

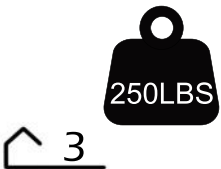
If you have any other questions, please
contact us, we will be glad to help you out.

If the product is placed under direct
sunlight, the pattern or color might fade
away overtime.

Check the product periodically to make
sure everything is secured and tightened.

Always use proper tools for installation.

Do not jump on the product.



Around 20 min

PRODUCT DESCRIPTION

Cotton blend. Exceptionally soft, and skin-friendly to the touch. The surface offers visual and tactile warmth, significantly enhancing seating comfort and a cozy feel.

Solid wood frame, highlighted by the bent design of the rear legs and protective glides on each foot. The bent legs offer strong visual appeal and improve structural mechanics. The glides protect the wood from wear and add a refined detail.

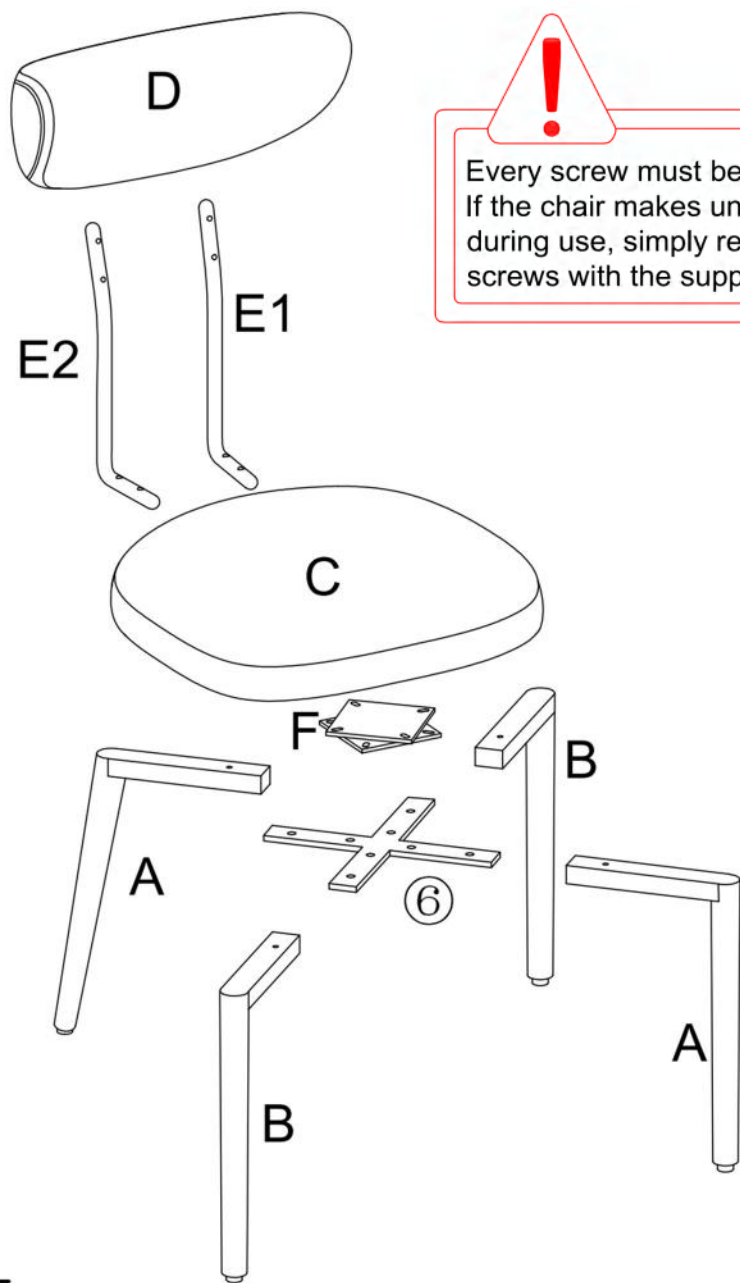
Ergonomic curved backrest: The backrest's arc naturally follows the spine's curve for just-right support.


High-density foam filling. The seat and backrest are plumply cushioned, providing immediate soft support and proper resilience. Effectively alleviates pressure from prolonged sitting, ensuring comfort during meals or short breaks.

360° Smooth-Swivel Base: Allows effortless rotation for easy conversation and access from multiple angles at a table, adding fun and flexibility.



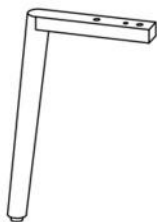
EXPLODED VIEW




Every screw must be fully tightened.
If the chair makes unusual noise
during use, simply retighten the
screws with the supplied Allen key.

PARTS

A*2



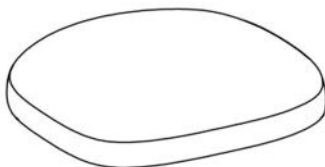
Legs

B*2



Legs

C*1



Seat frame

D*1



Backrest

E2*1



Steel pole-Right

E1*1



Steel pole-Left

F*1



Swivel base

HARDWARE

TOOL LIST

NOTE: Designated with (★) We provide additional spare parts in the hardware package

①*8



★ M6*30mm
Bolt

②*8



★ M6*25mm
Bolt

③*8



★ M6*50mm
Bolt

④*16



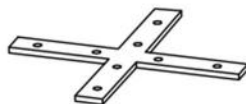
★ Flat washer

⑤*1



Allen Key

⑥*1




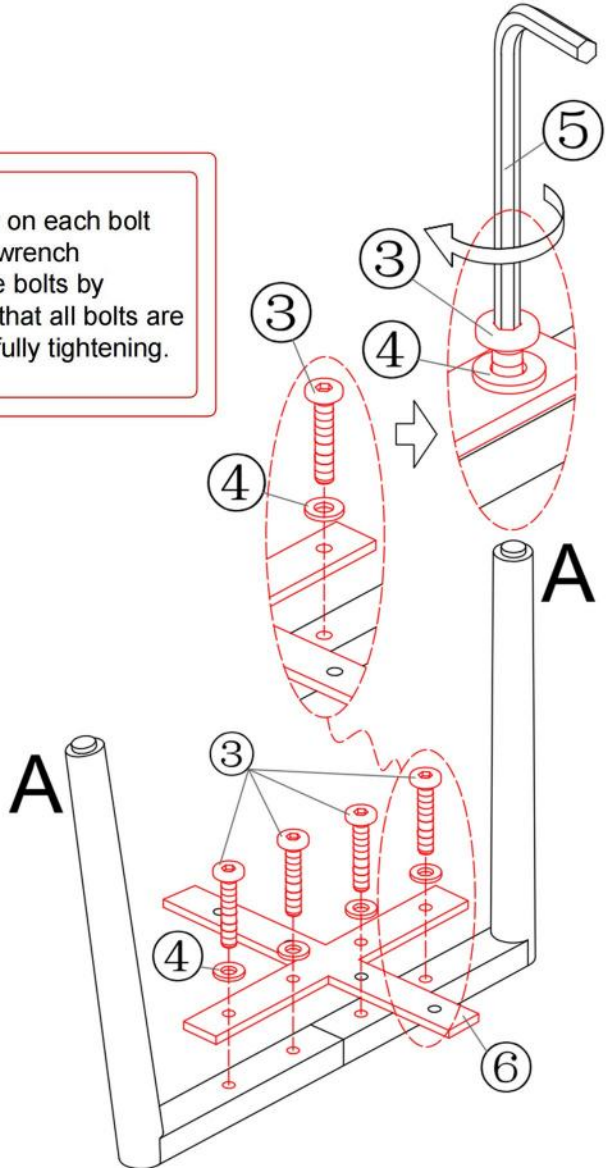
Metal plate

Please make sure all hardware&packing material fitting the list.
Especially some small accessories may be missing during transportation. Please contact us if you have any question.

step 1 ---Install the legs

Attach the swivel base (6) to the Wooden legs (A) using bolt (3) & Flat washer (4) and Allen wrench (5),tighten the bolt fully.


First add one flat washer on each bolt as shown, use the allen wrench provided to tighten all the bolts by 30-50% first, make sure that all bolts are aligned correctly before fully tightening.

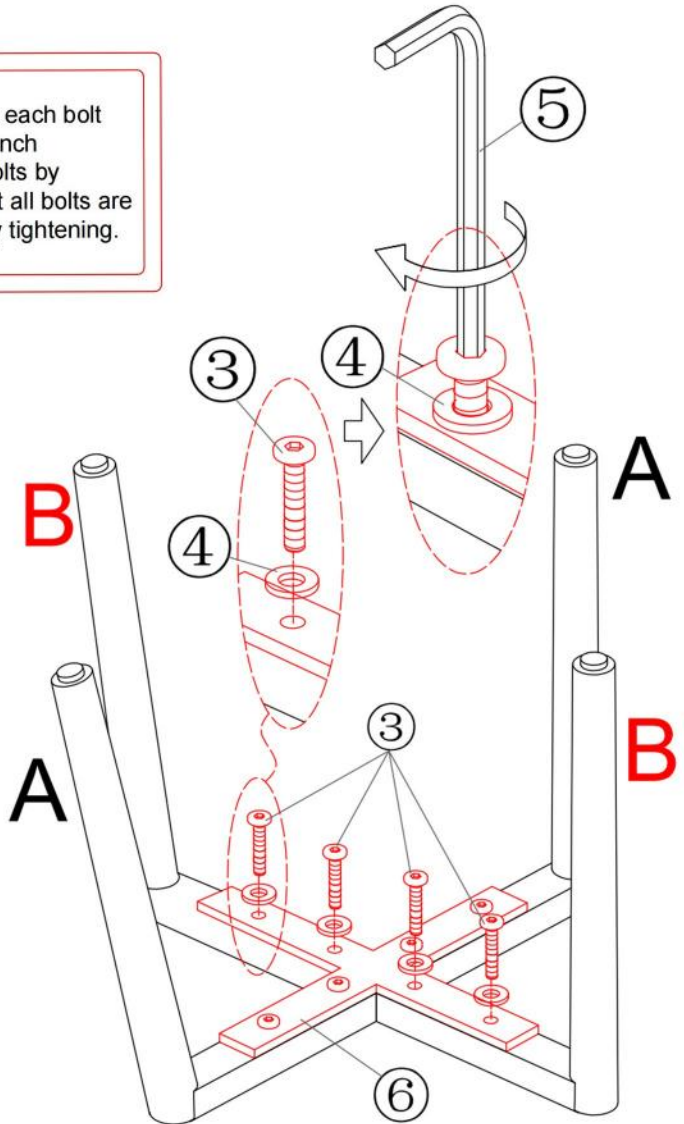


step 2 ---Install the legs

Attach the metal plate (6) to the wooden leg (B) using bolt (3) & Flat washer (4) and Allen wrench (5),tighten the bolt fully.



First add one flat washer on each bolt as shown, use the allen wrench provided to tighten all the bolts by 30-50% first, make sure that all bolts are aligned correctly before fully tightening.

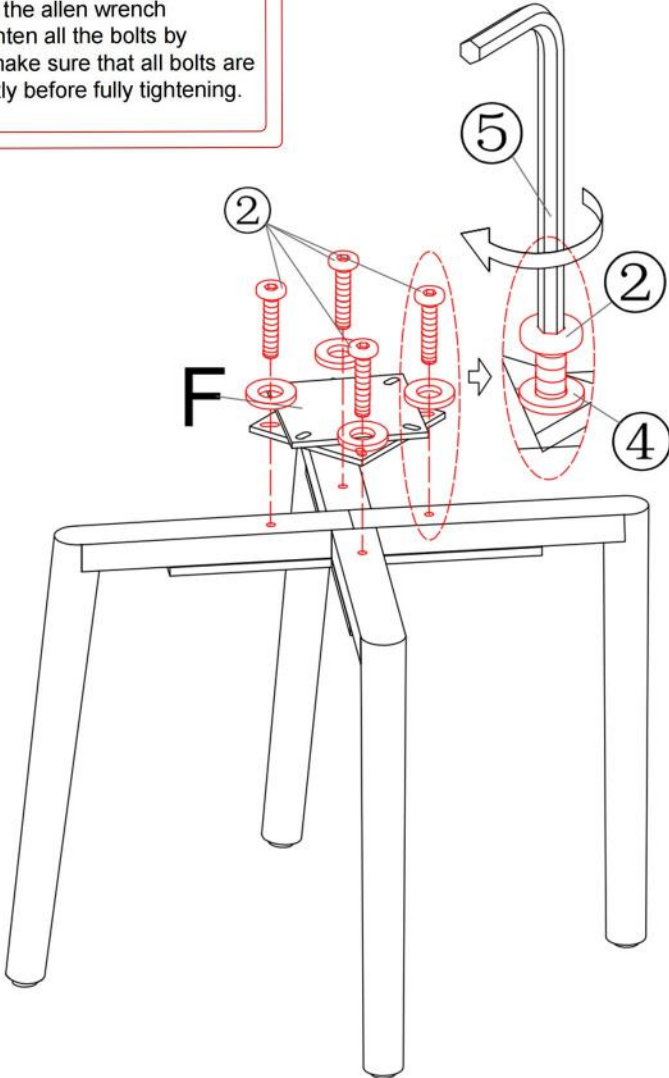


step 3 ---Install the Swivel base

Attach the swivel base(F) to the wooden legs using bolt (2) & Flat washer (4) and Allen wrench (5),tighten the bolt fully.



First add one flat washer on each bolt as shown, use the allen wrench provided to tighten all the bolts by 30-50% first, make sure that all bolts are aligned correctly before fully tightening.

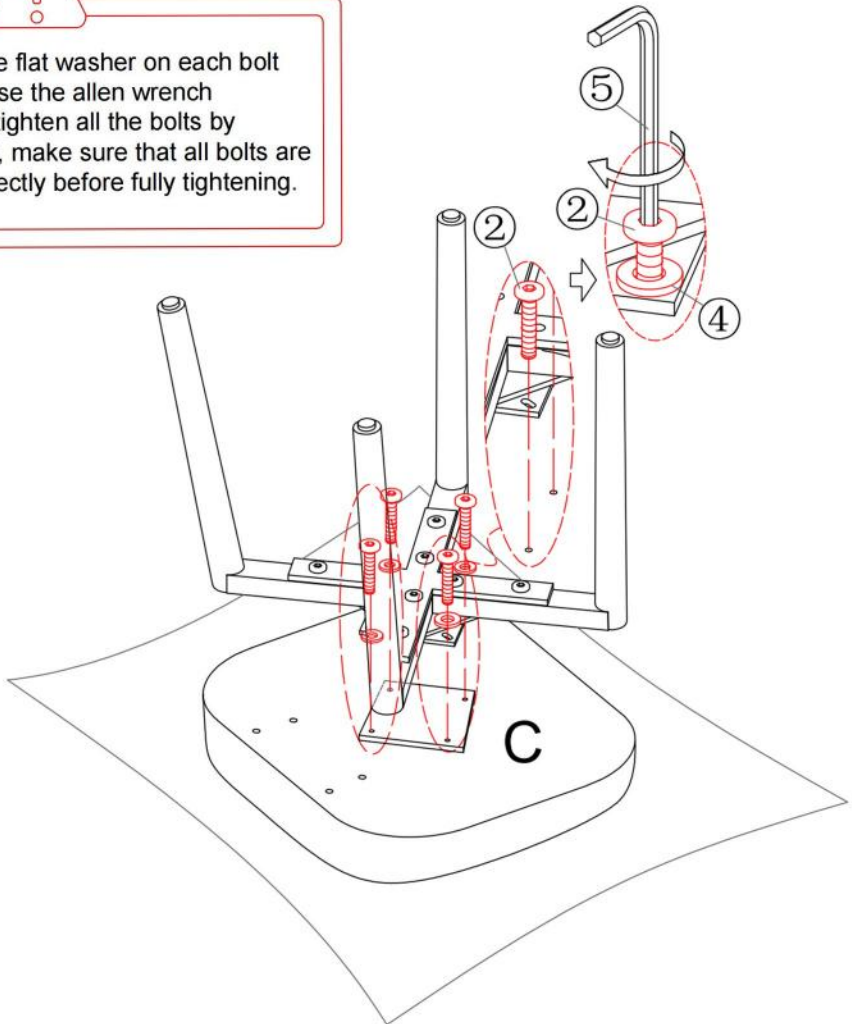


step 4 ---Install the Seat frame

Attach the Pre-assemble part to the seat frame (C) using bolt (2)&Flat washer (4) and Allen wrench (5),tighten the bolt fully.

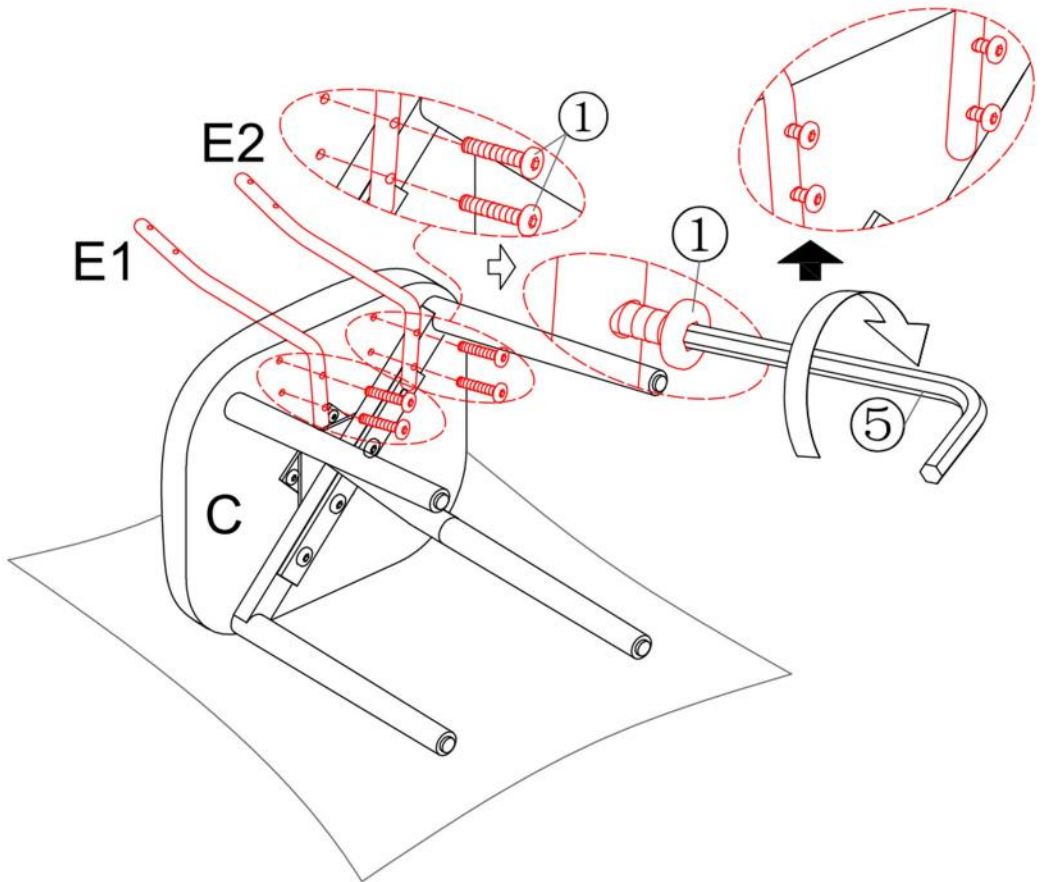


First add one flat washer on each bolt as shown, use the allen wrench provided to tighten all the bolts by 30-50% first, make sure that all bolts are aligned correctly before fully tightening.



step 5 ---Install the Steel pole

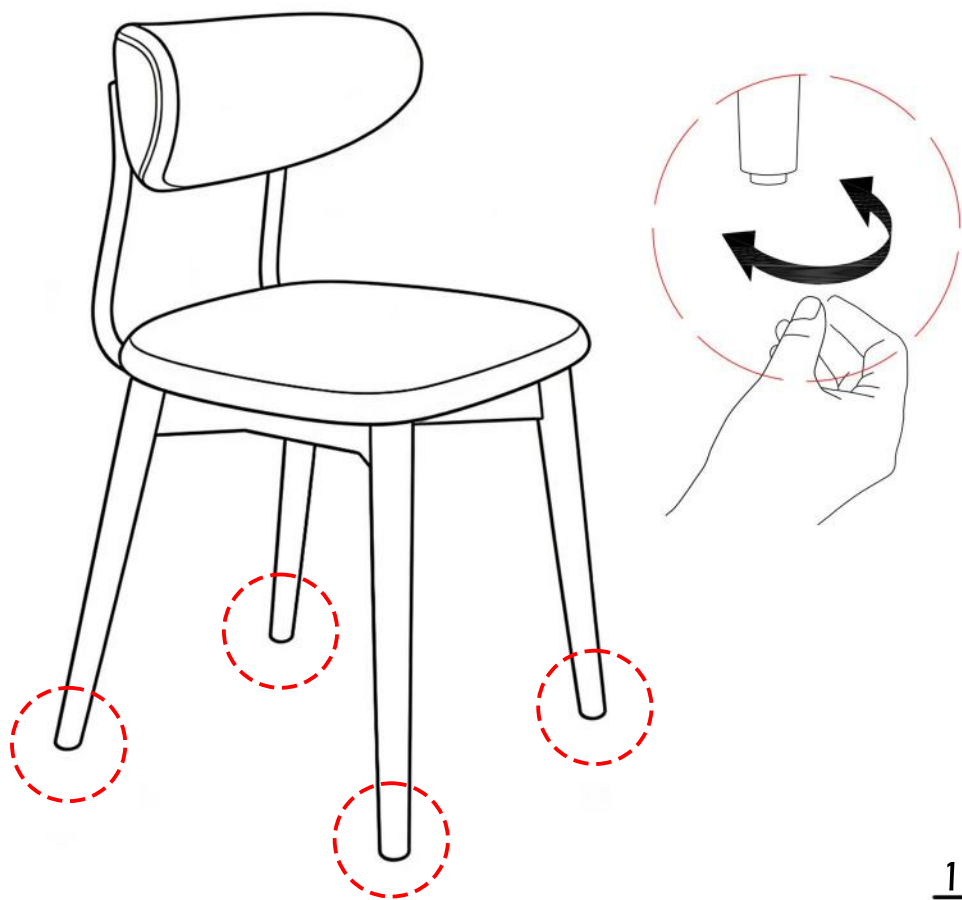
Attach the Steel pole (E1&E2) to the seat frame (C) using bolt (1) and Allen wrench (5), Don't tighten the bolt.



step 7 ---Assemble complete

Please note: the legs of the chair can be adjusted by twisting the leveler on the tip of the legs as shown, it can help you use this chair on ground that is not flat, please check before you use the chair.

Place the chair properly and tidy it up to make it look nice.
Assembly is complete. Thank you for choosing our product!
Please enjoy!





ASSEMBLY INSTRUCTIONS

Tel.(562)-781-3327

Please contact us:info@firstopintl.com

<https://www.dreamsidea.com>