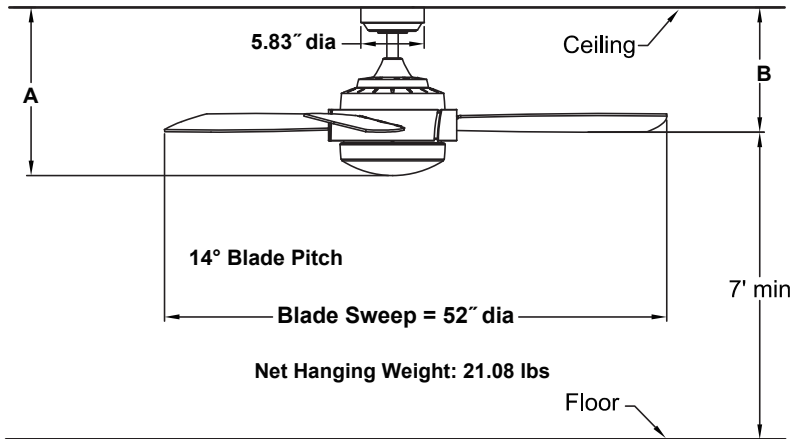




52" Ceiling Fan



	A	B
Fan w/4.5" downrod	15.12"	11.55"
Fan w/12" downrod	22.62"	19.05"
Fan w/18" downrod	28.62"	25.05"
Fan w/24" downrod	34.62"	31.05"
Fan w/36" downrod	46.62"	43.05"
Fan w/48" downrod	58.62"	55.05"
Fan w/60" downrod	70.62"	67.05"
Fan w/72" downrod	82.62"	79.05"

INSTALLATION REQUIREMENTS:

Fan must be attached to a securely anchored electrical junction box capable of withstanding a load of at least 35 lbs.

ELECTRICAL REQUIREMENTS:

Requires a grounded electrical supply line of 120 volts AC, 60 Hz, 15 amp circuit.

MOTOR SPECS:

172 x 17 AC motor is designed for optimal performance with this fan.

BLADES:

A set of three 21" reversible plywood blades is included.

CONTROL OPTIONS:

Remote control is included. This wall control has 3 fan speeds switch and light dimming switch. The reverse switch is located on the top housing. Optional remote control and wall controls available—sold separately. Optional remote control and receiver unit are available—sold separately. Instructions are provided with each control.

LIGHTING OPTIONS:

One 100-watt halogen minican bulb included.

DOWNROD OPTIONS:

Fan comes with a 1" Dia. x 4.5" downrod. Optional downrods are available in 12", 18", 24", 36", 48", 60" and 72". For installations requiring a longer downrod, a downrod coupler is available. Fan can be mounted on a sloped ceiling up to 19°. Optional sloped ceiling kits are available for up to 42°. Call technical support for more information.

LOCATION USE:

Fan is rated for dry location only.

Available Finishes		
Fan / Housing Assembly		Blades
BN	Brushed Nickel	Brushed Nickel Blade with Opal Frosted Glass
AZ	Aged Bronze	Cherry/Dark Walnut Blade with Opal Frosted Glass

Airflow / Energy Efficiency Info (120V)					
Fan Speed	Max RPM	CFM	CFM / Watts	Amps	Watts
High	193	5399	90	0.50	60
Med	133	3854	125	0.36	31
Low	80	2291	186	0.23	12

Energy Guide FTC			
Power (Watt)	Total Air Delivery (CFMave)	Estimated Yearly Energy Cost (\$)	Ceiling Fan Efficiency (CFM/W)
38	3585	11	95

Light Bulb Information (120V)					
Bulb Type	Watts	QTY	Lumens Amount	Color Temp	CRI
minican	100	1	1600	2750	99%