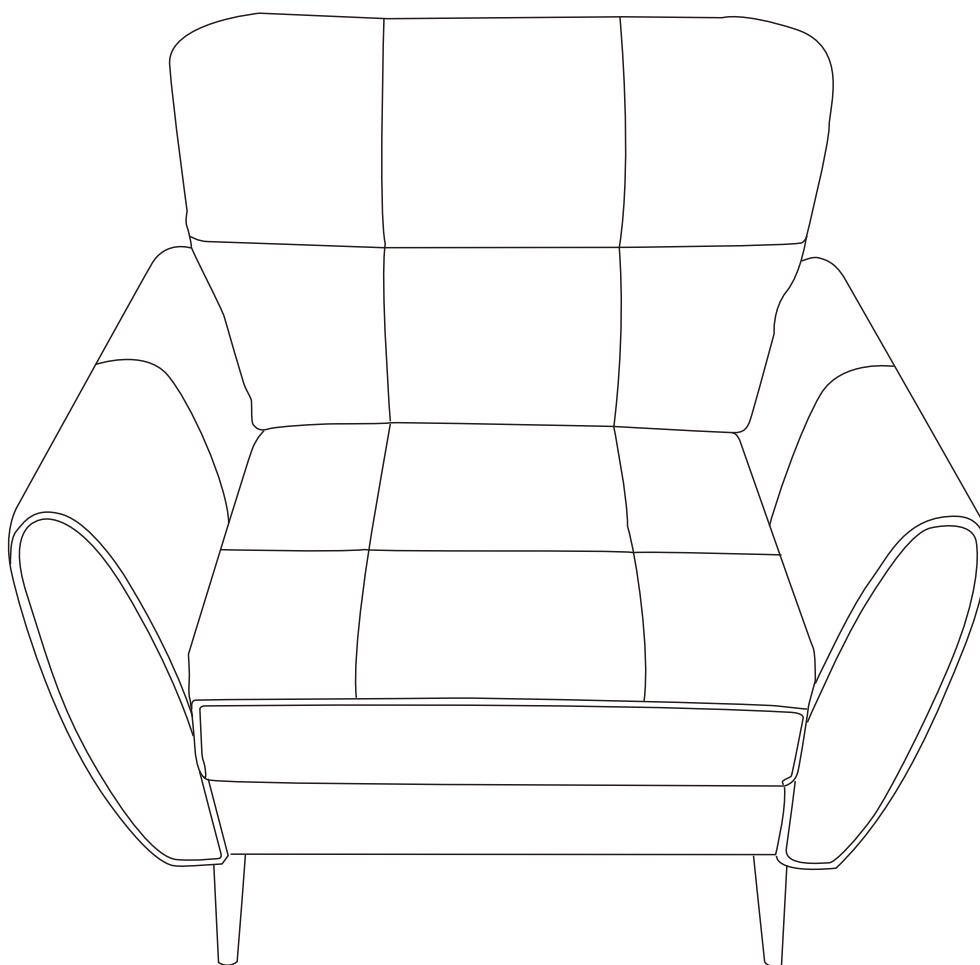
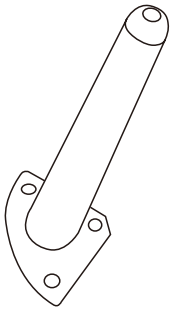


# INSTRUCTION MANUAL



1

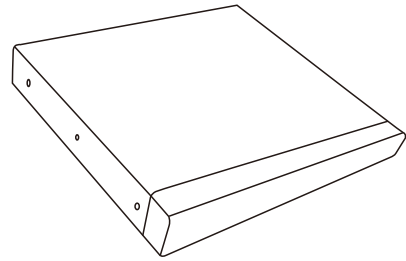
METAL FEET



×4

2

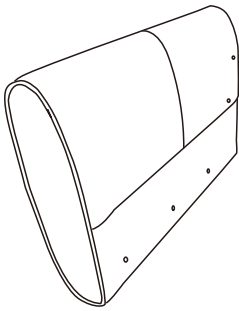
SEAT FRAME



×1

3

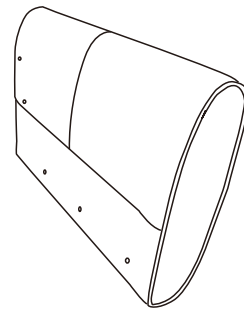
RIGHT ARMREST



×1

4

LEFT ARMREST



×1

5

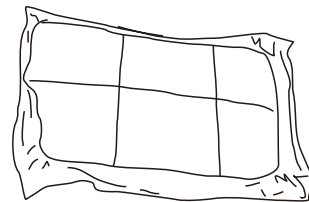
REAR BUMPER



×1

6

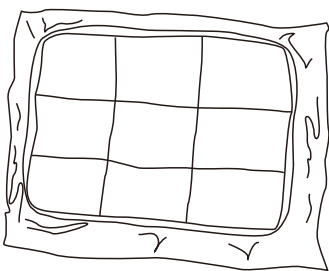
BACK CUSHION



×1

7

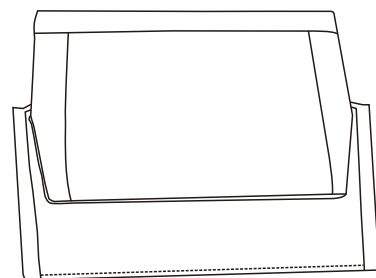
SEAT CUSHION



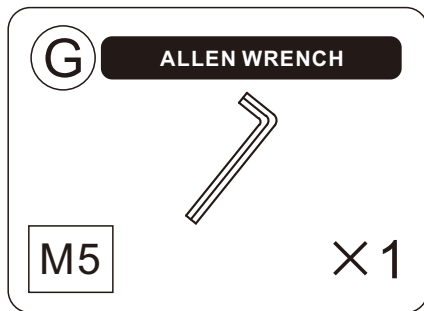
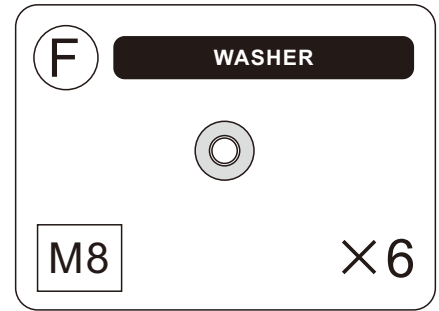
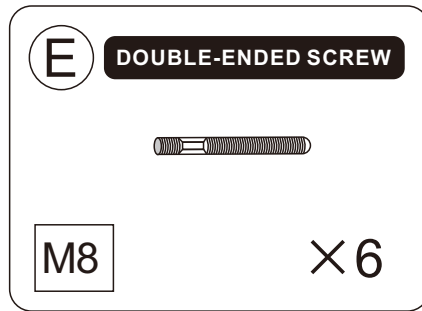
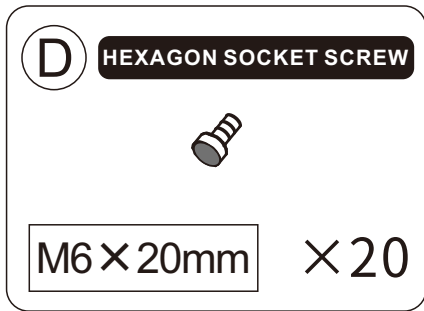
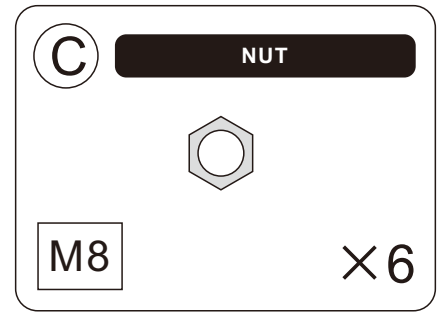
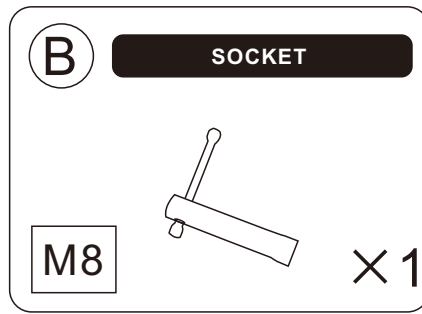
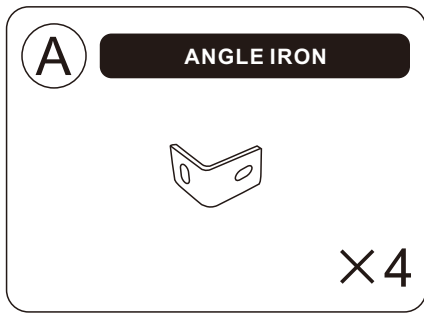
×1

8

BACKREST FRAME

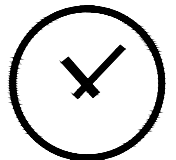
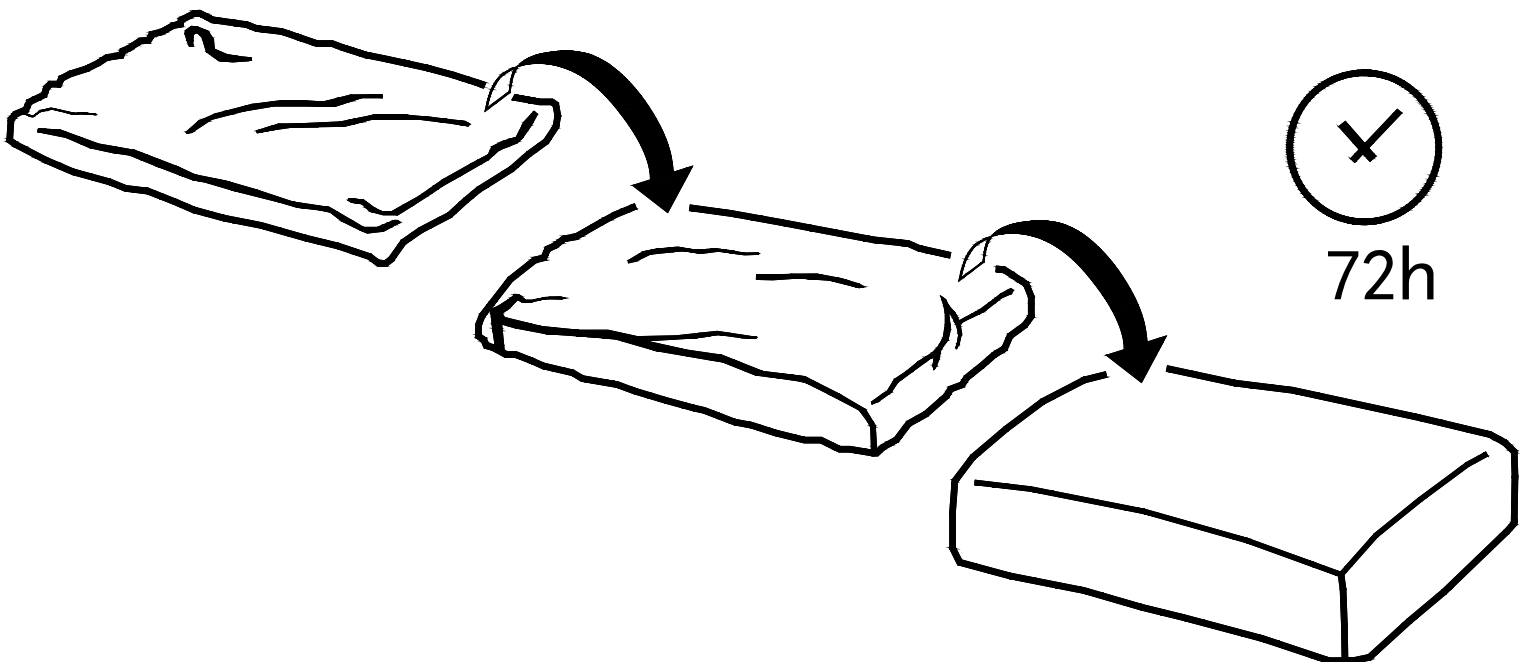
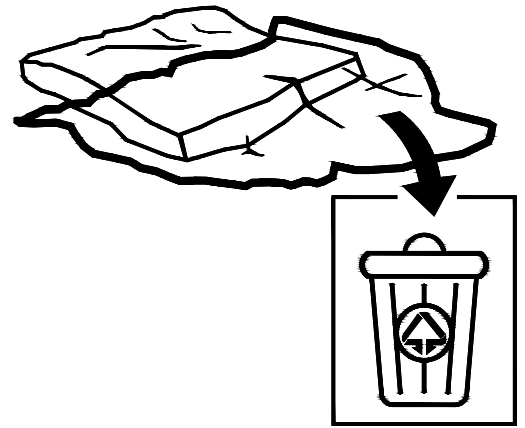
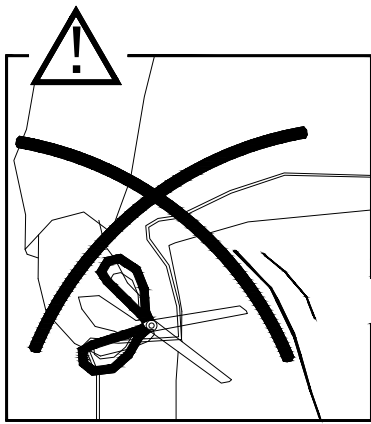
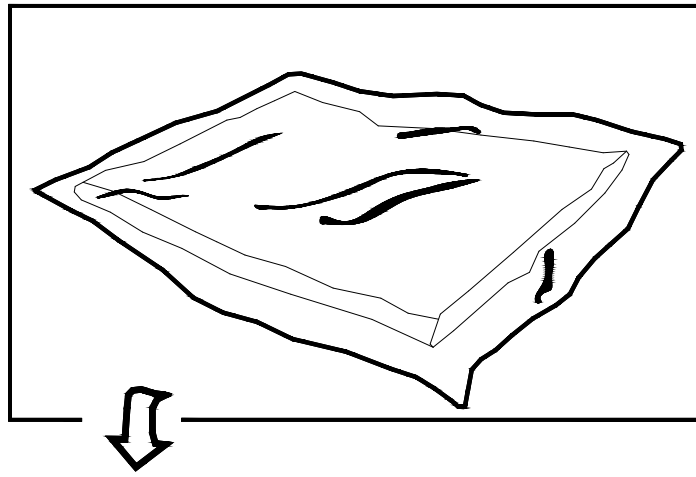


×1

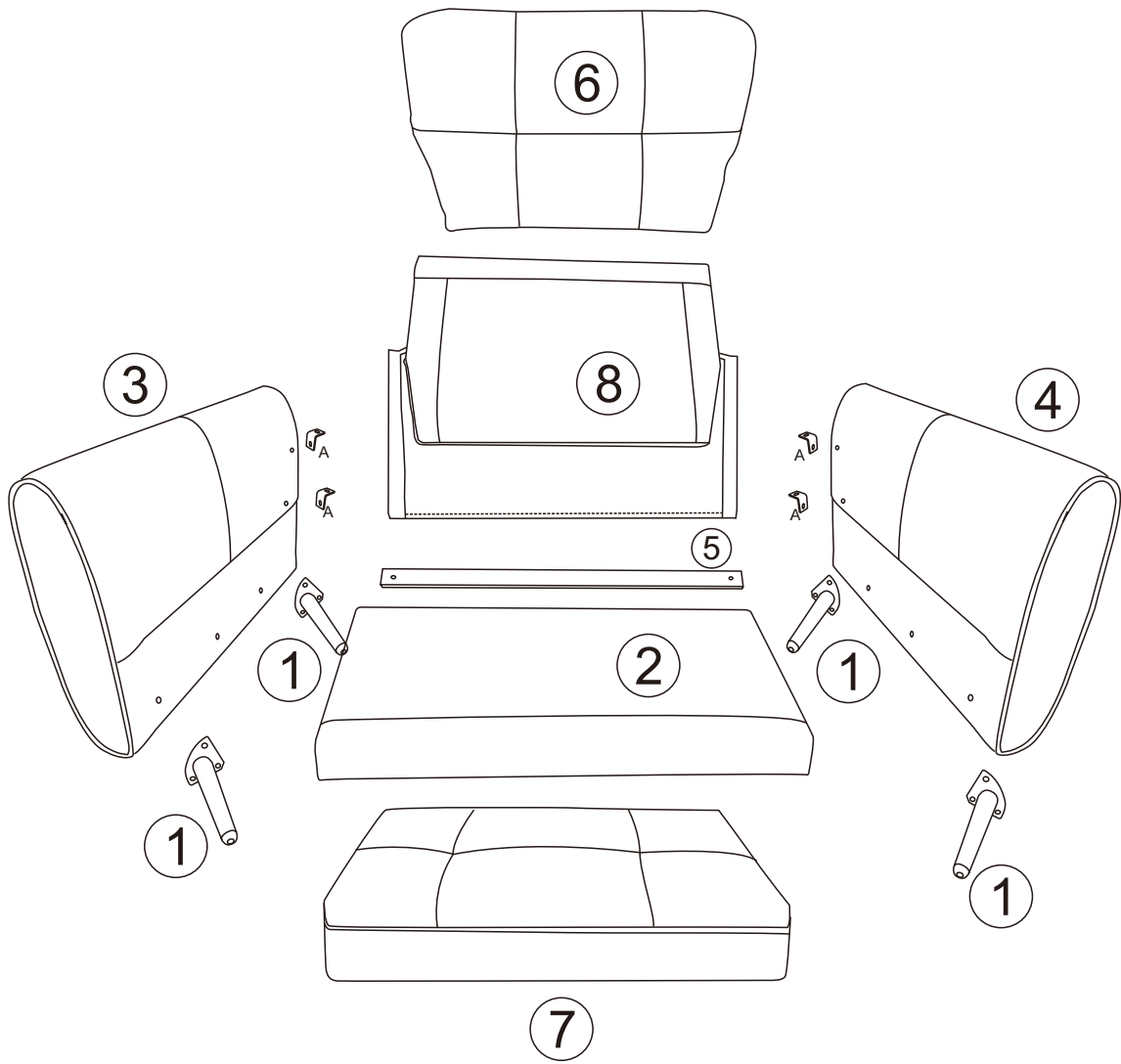


**ATTENTION:**

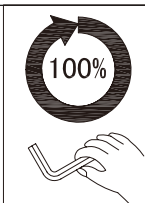
**If there are missing parts please contact us asap.(The last page of the manual has our after-sales email address)  
After unpacking the compression bag of part #6&#7 ,  
please leave it for 72 hours to make sure the sponge rebound to the best condition.**



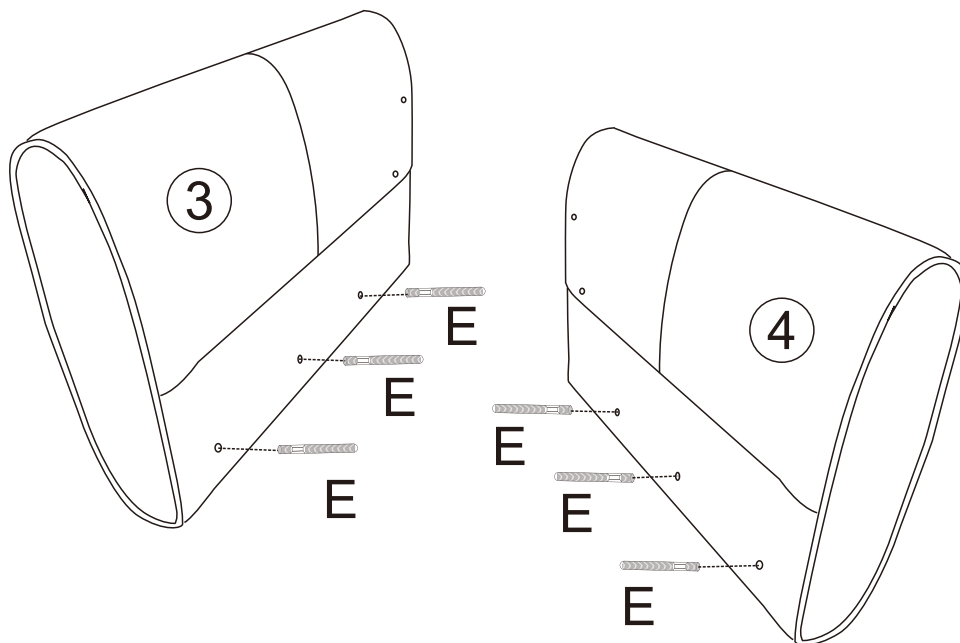
72h



1

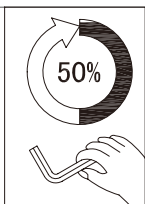


All screws in this step need to be 100% tightened.

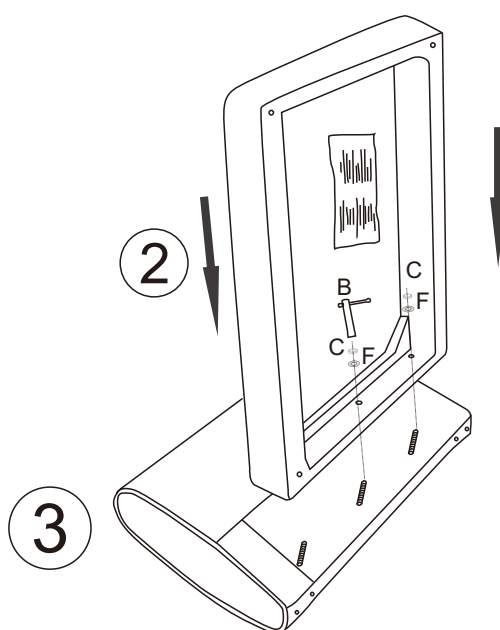


③	×1
④	×1
E	×6

2

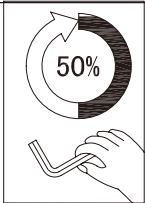


All screws in this step only position, not tighten.

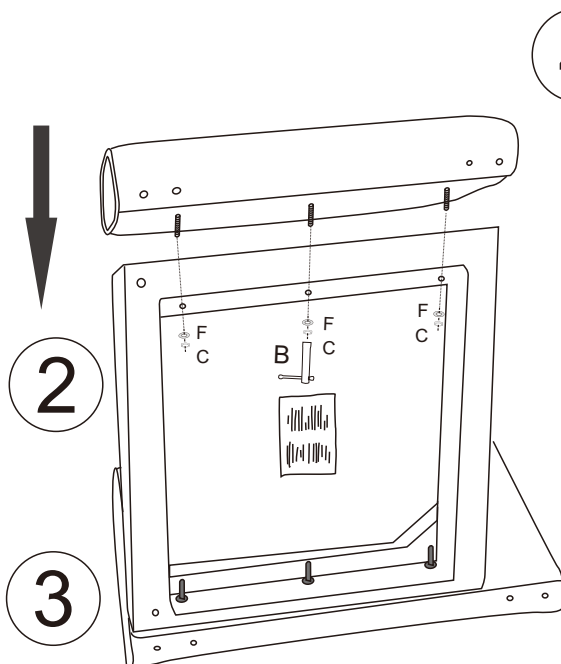


②	×1
③	×1
C	×3
F	×3
B	×1

3

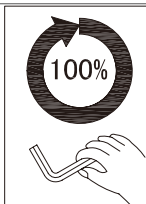


All screws in this step only position, not tighten.

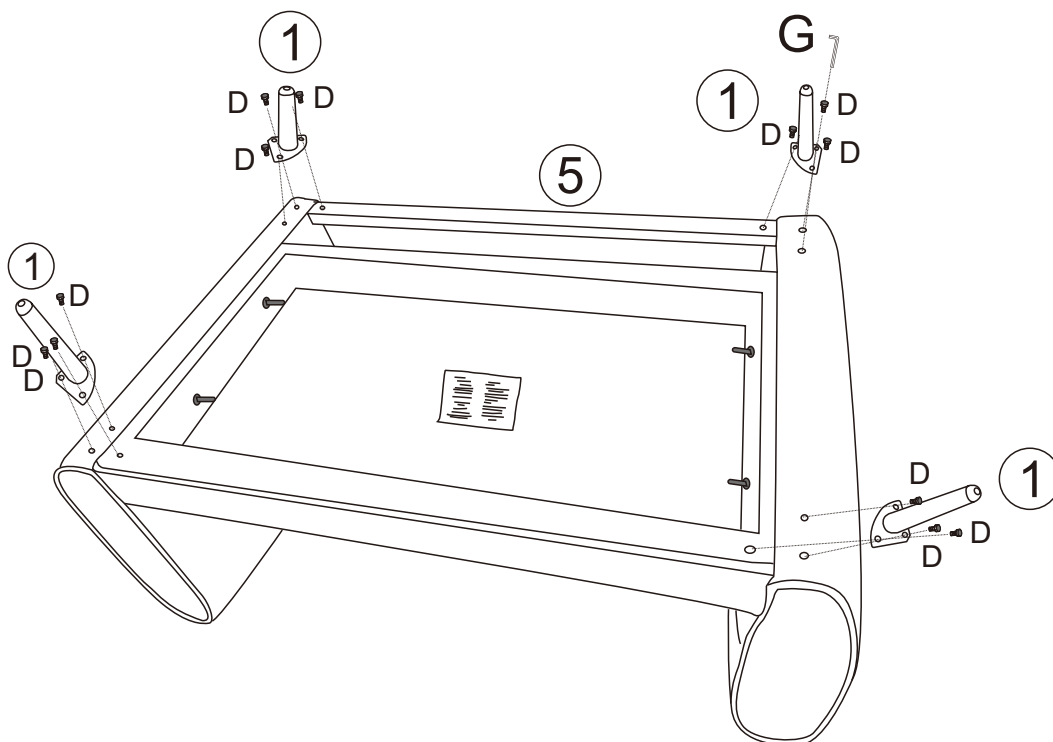


④	×1
②	×1
③	×1
C	×3
F	×3
B	×1

4



All screws in this step need to be 100% tightened.

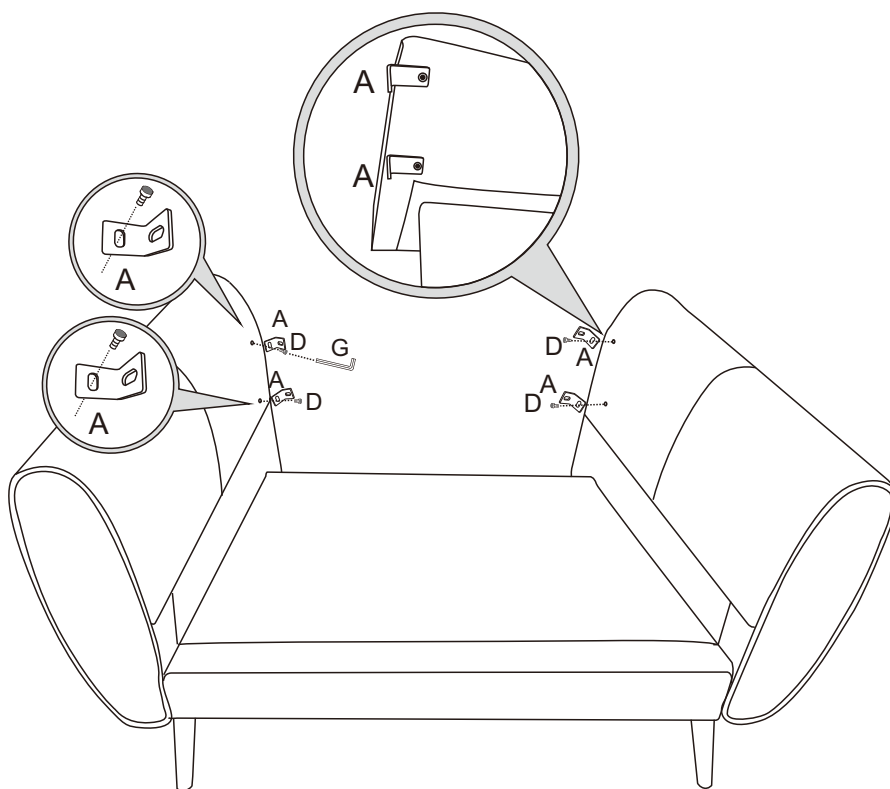


①	×4
⑤	×1
D	×12
G	×1

5

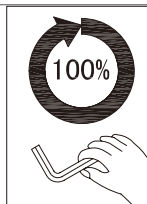


All screws in this step need to be 100% tightened.

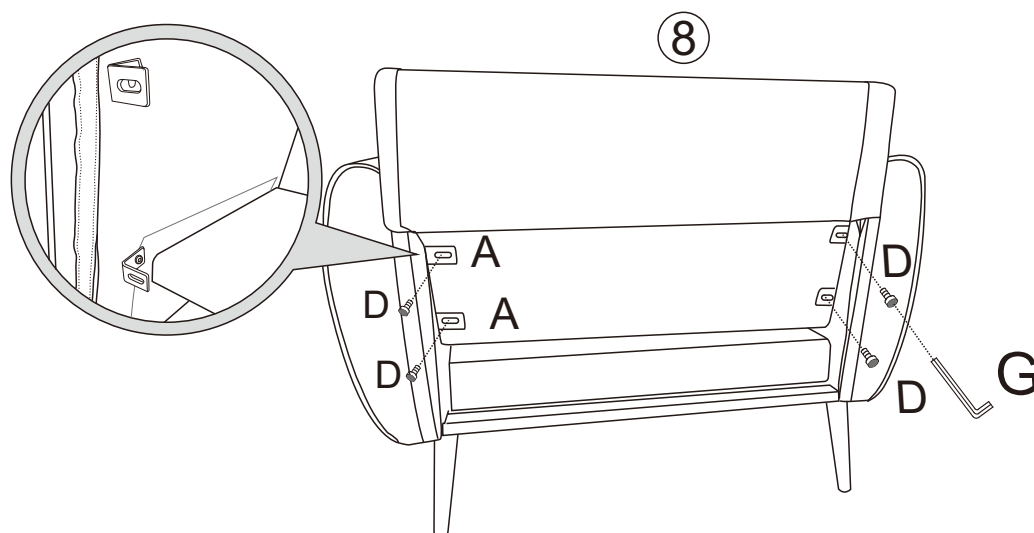


A	×4
G	×1
D	×4

6



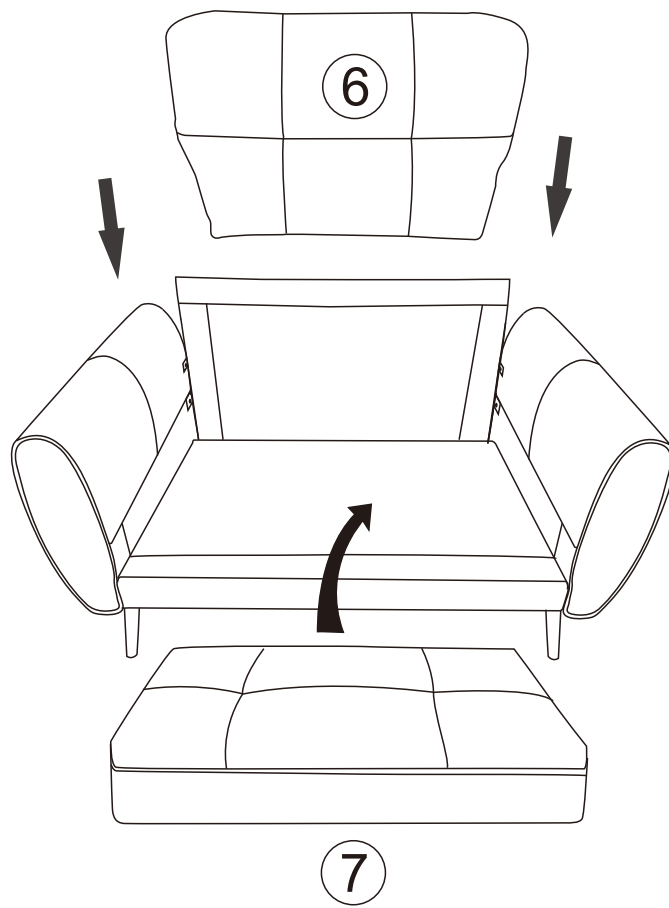
All screws in this step need to be 100% tightened.



**ATTENTION:**  
The angle of the iron plate needs to be adjusted when installing the backrest and tighten all screws in this step.

⑧	×1
A	×4
G	×1
D	×4

7



8

