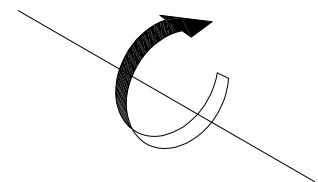
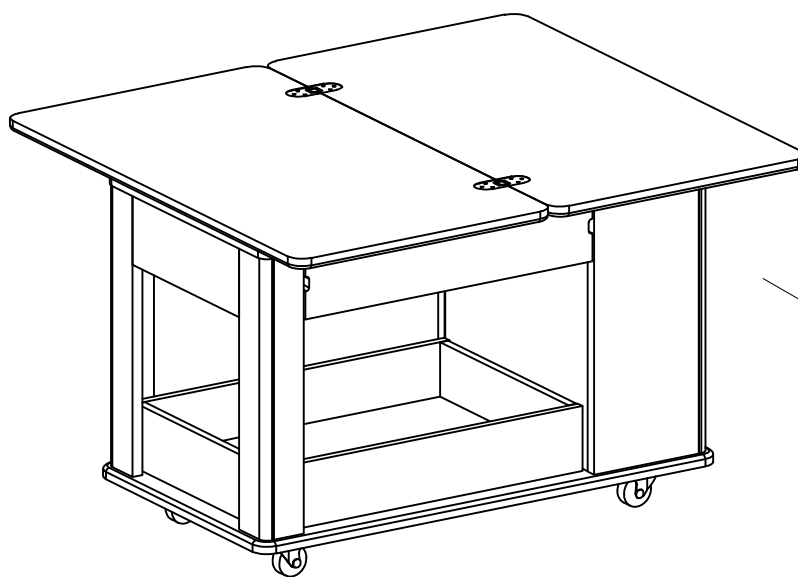
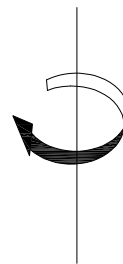
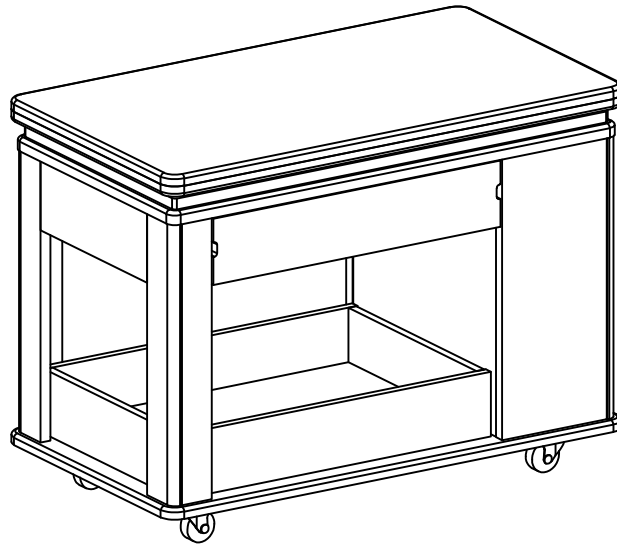


ASSEMBLY INSTRUCTION



1. Thank you for choosing **our products.**
2. Return Policy



DO NOT RETURN TO THE STORE! Skip the process of returning your product and contact us directly for a replacement

If you find that parts of your order are missing or damaged, we will gladly ship any needed replacement parts free of charge.

If your product's quality does not meet your expectations or you have found any sort of defect, please contact our customer service department and let us know the details of your order and any issues encountered, we will try our best to provide you with a solution. Feel free to also directly contact our manufacturer concerning needed replacement parts and they will be happy to help provide you with a solution or answer any questions you may have.

Recommendations Before Beginning Assembly










- Read instructions, cover to cover
- Have 2-4 adults on hand for assembly depending on product size
- Do not assemble directly on flooring or carpet
- Assemble on a clean non-marring surface (example: packing foam)
- Save all packaging until finished

3. Assembly Notice:

- If you encounter any problems during assembly and find that you cannot continue, rest assured we will help you solve the situation as soon as possible. Simply keep all of the parts of the product stored in a safe place and contact us immediately so we may assist you further.
- Once you have opened your package, remove all inner hardware packages and take the parts out. One by one, Place the parts out neatly in front of you, then refer to the instructions to ensure no parts are missing. If any pieces are found missing, please carefully look in the box first, as the hardware packaging might have torn making the hardware spill in the box.
- Some key parts of your product may be stored and hidden inside of other parts. Please open any zippered or hook & loop storage compartments to remove all parts. (example: cushions and legs being stored in the underside of a sofa)
- **IMPORTANT:** When setting up your product, **DO NOT INSTALL THE SCREWS ALL THE WAY IN THE BEGINNING.** Place each screw into their proper hole and use your hand to twist the screw halfway. Twist all the screws in halfway to ensure the holes will match up properly and the product is level on the ground. When everything seems fitted, then tighten the screws.

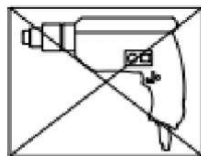
- When you have completed assembly, we suggest you have more than one person to assist you with lifting and placing the product.

Care & Maintenance

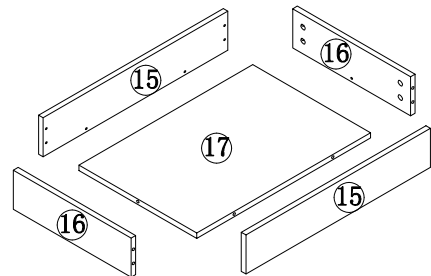
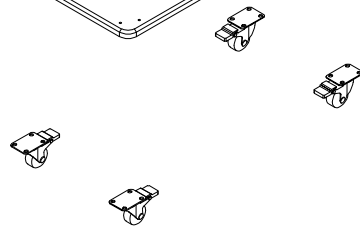
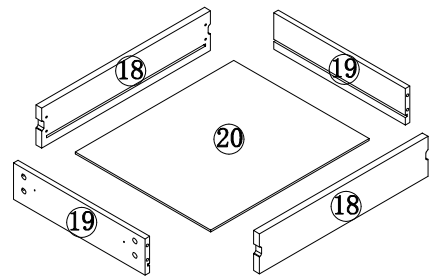
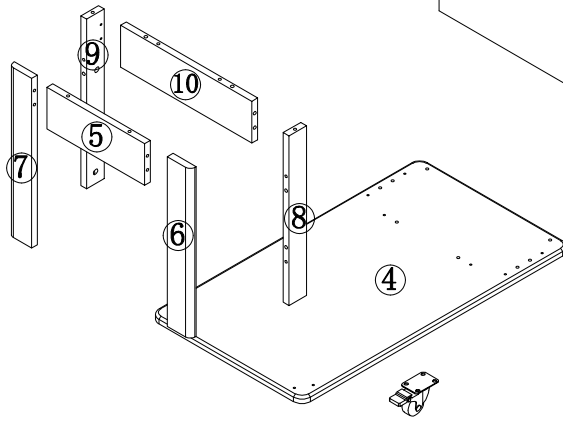
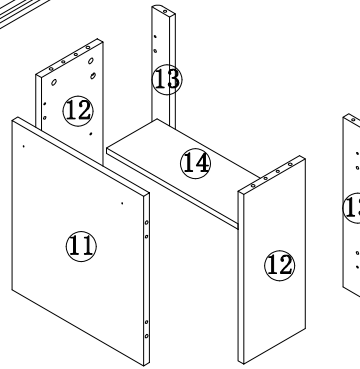
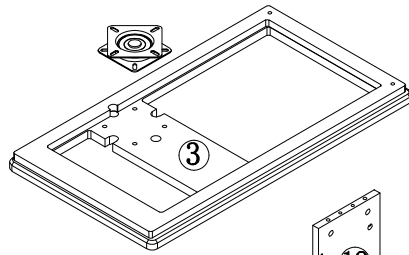
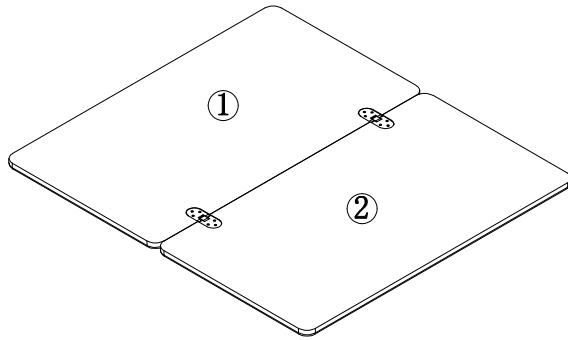
- ⊘  ● Do not put hot items directly on furniture surface
- ⊘  ● Do not clean furniture with harsh cleansers or polish
- ⊘  ● Do not place furniture under direct sunlight
- ⊘  ● Do not place furniture near heating or cooling vents
- ⊘  ● Do not write on furniture without a padded barrier to protect the surface
- ⊘  ● Do not place furniture outside. For indoor use only
- ⊘  ● Not for commercial use. For residential use only
- ⊘  ● Stains may be removed with mild soap solution and damp cloth
- ⊘  ● Children should not climb or jump on the furniture
- ✓  ● Dust and pick-up spills using a clean, non-colored, lint-free cloth

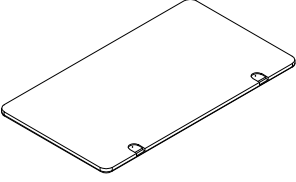
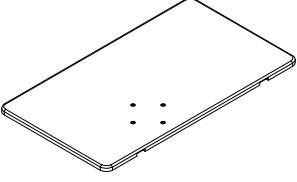
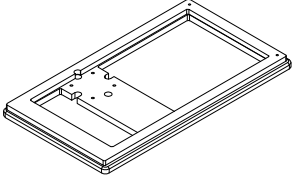
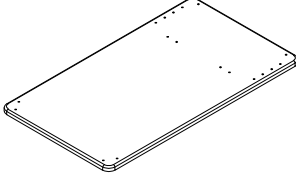
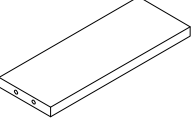
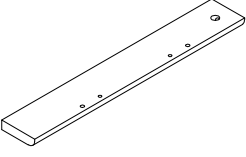
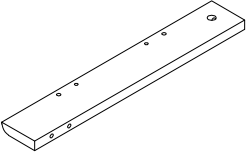
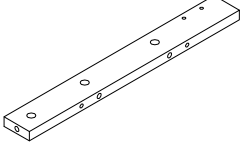
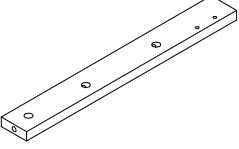
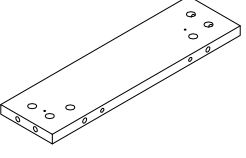
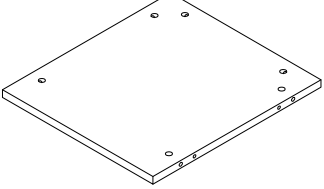
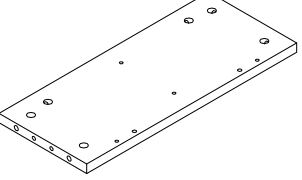
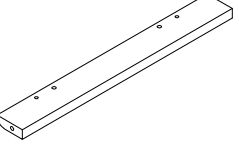
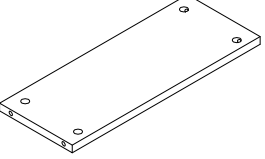
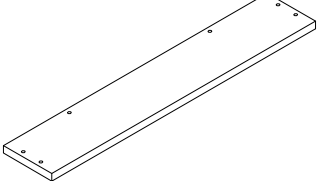
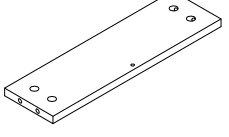
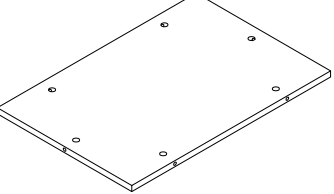
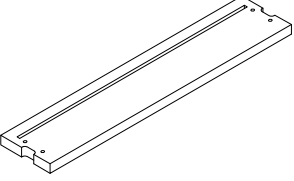
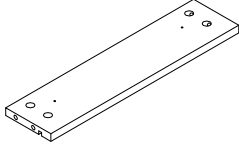
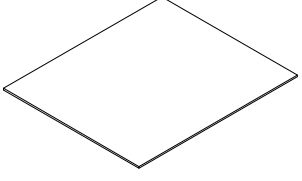
Caution

- This product contains small components. Please ensure that they are kept away from small children.

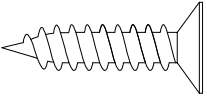
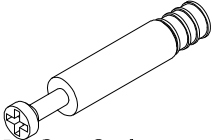
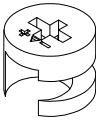
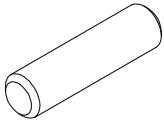

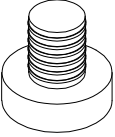
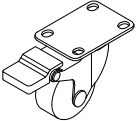

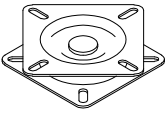

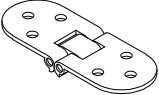
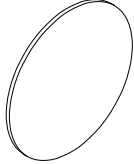
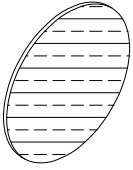
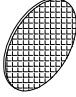



Part List

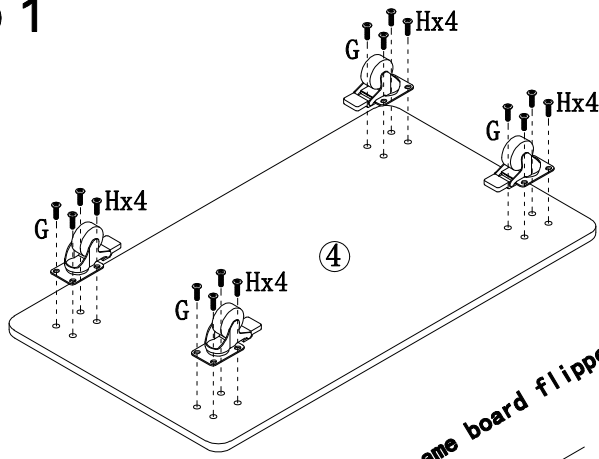


			
① x1pc	② x1pc	③ x1pc	④ x1pc
			
⑤ x1pc	⑥ x1pc	⑦ x1pc	⑧ x1pc
			
⑨ x1pc	⑩ x1pc	⑪ x1pc	⑫ x2pcs
			
⑬ x2pcs	⑭ x1pc	⑮ x2pcs	⑯ x2pcs
			
⑰ x1pc	⑱ x2pcs	⑲ x2pcs	⑳ x1pc

Hardware List

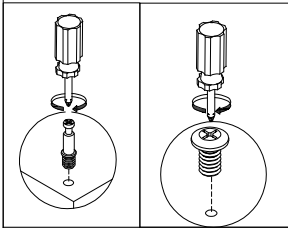
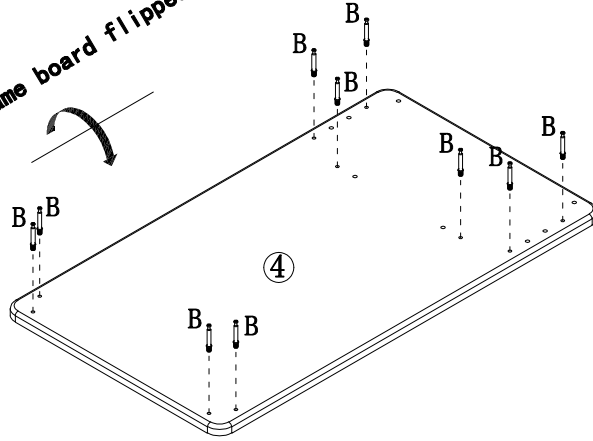
 M3.5*12mm Ⓐ x26pcs	 M6*34mm Ⓑ x58pcs	 ∅12*10 Ⓒ x58pcs	 ∅6*30mm Ⓓ x36pcs	 E2 300mm Ⓔ x2pcs
 ∅16*5mm Ⓕ x2pcs	 H58 Ⓖ x4pcs	 M6*10mm Ⓗ x16pcs	 Ⓘ x1pc	 M6*12mm Ⓙ x8pcs
 Ⓚ x2pcs	 Ⓛ x40pcs	 Ⓜ x18pcs	 ∅ 12*2mm Ⓝ x6pcs	 Ⓞ x1pc

Step 1

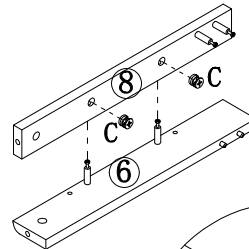
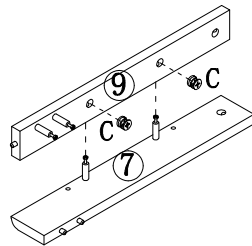
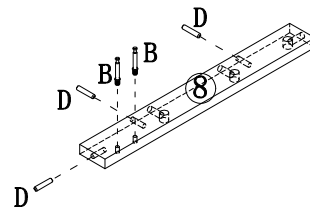
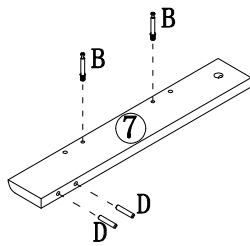
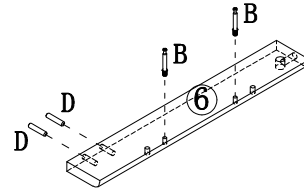
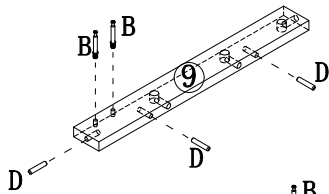


H58	M6*10mm	M6*34mm
Gx4pcs	Hx16pcs	B x10pcs

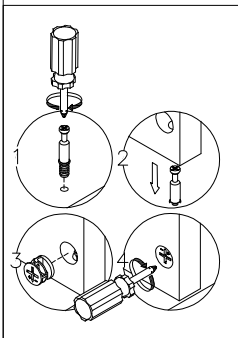
EN: The same board flipped 180°



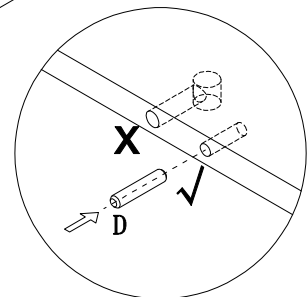
Step 2



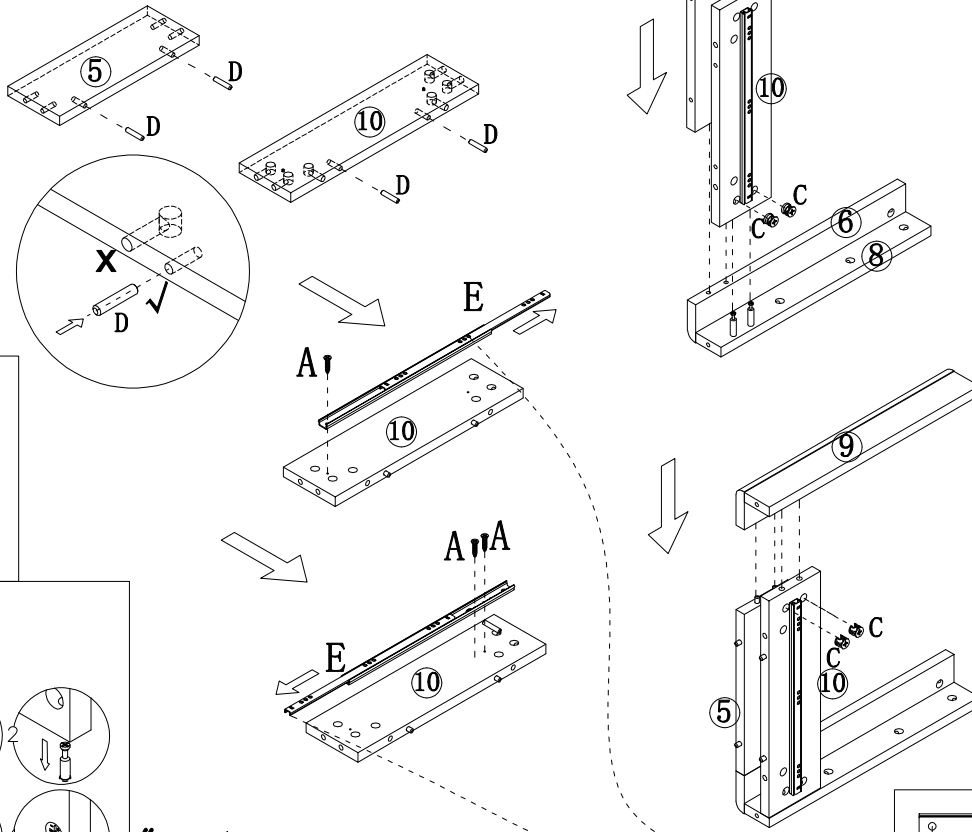
M6*34mm
B x8pcs
Ø6*30mm
D x10pcs
Ø12*10
C x4pcs



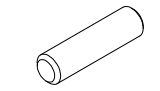
"Need to rotate and tighten C"



Step 3



"Need to rotate and tighten C"



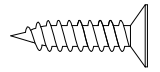
∅6*30mm

ⓓ x4pcs



∅12*10

ⓒ x4pcs

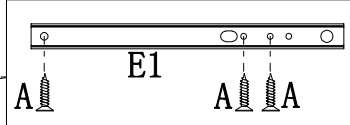


M3.5*12mm

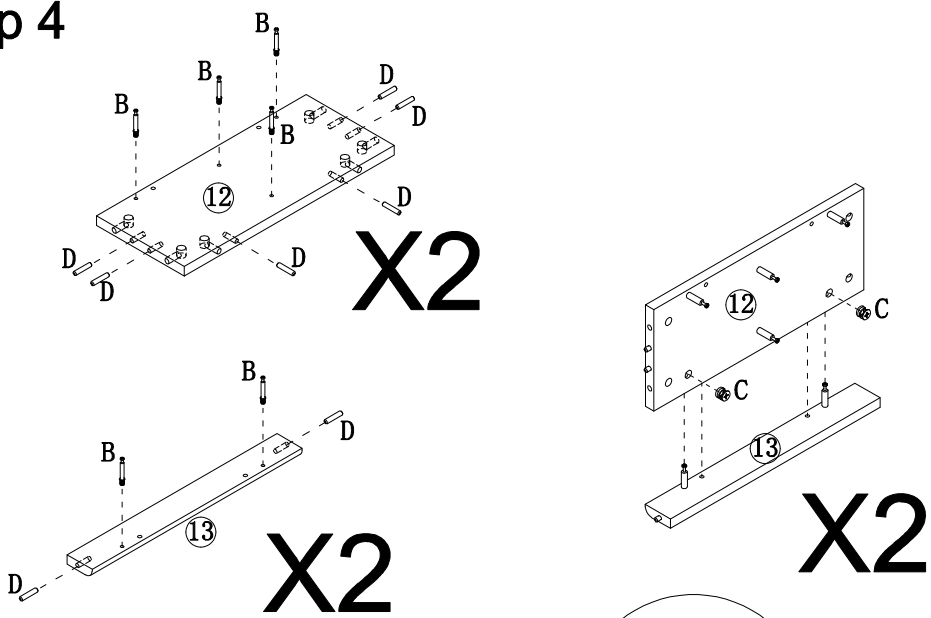
Ⓐ x3pcs



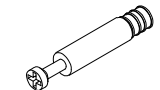
Ⓔ x1pc



Step 4

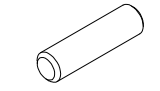


"Need to rotate and tighten C"



M6*34mm

Ⓑ x12pcs



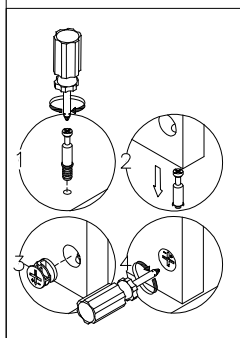
∅6*30mm

ⓓ x16pcs

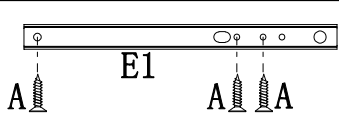
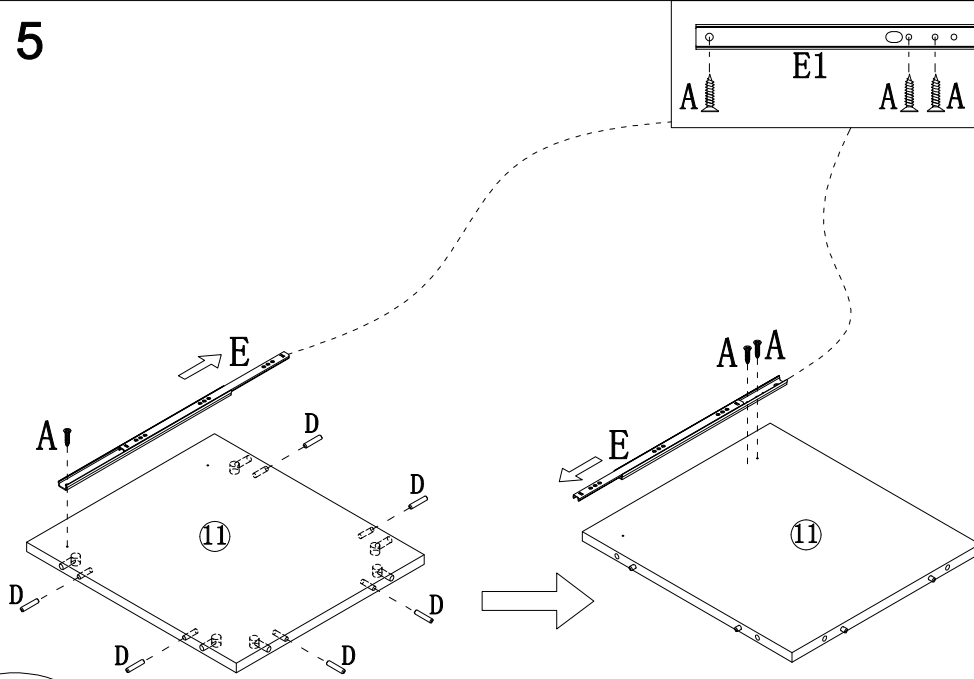


∅12*10

ⓒ x4pcs

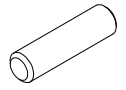


Step 5



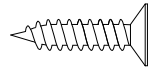
Ø12*10

ⓐ x8pcs



Ø6*30mm

ⓓ x6pcs

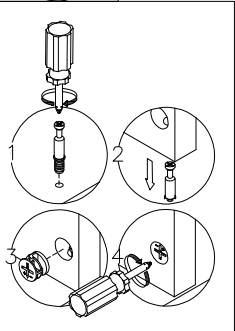
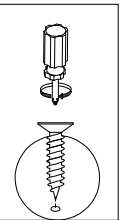
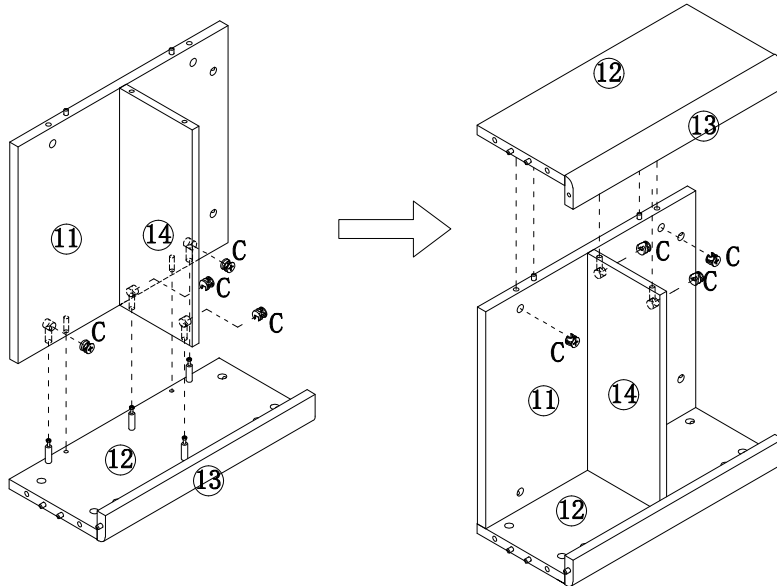
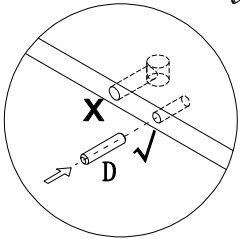


M3.5*12mm

ⓐ x3pcs

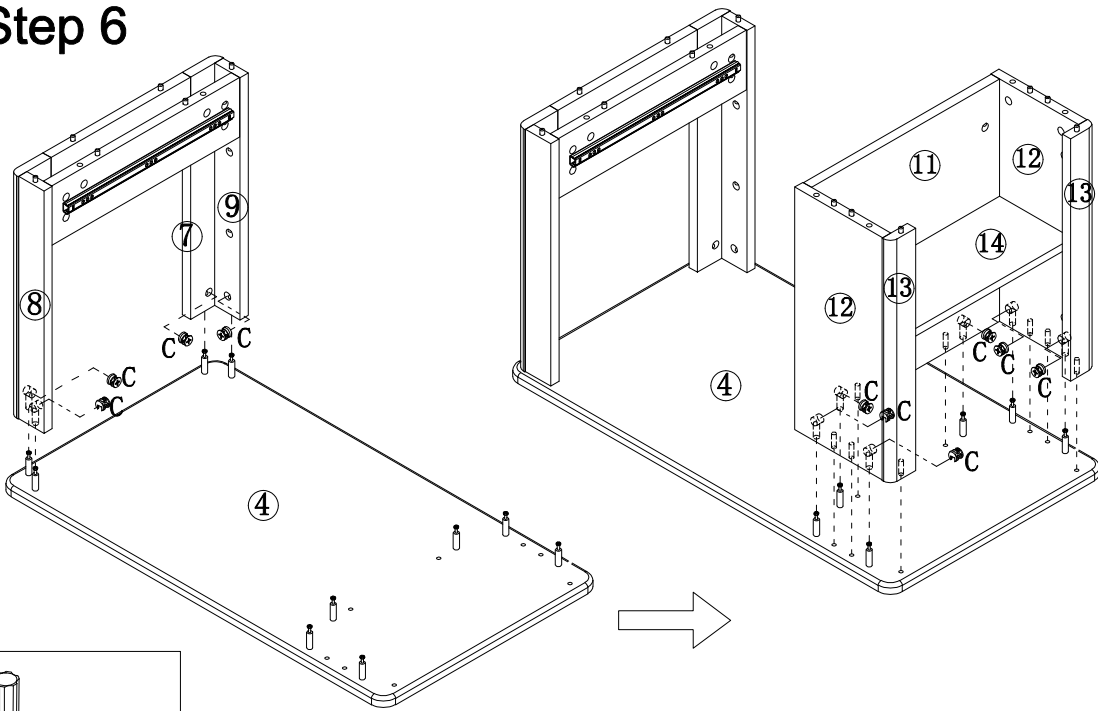


ⓔ x1pc

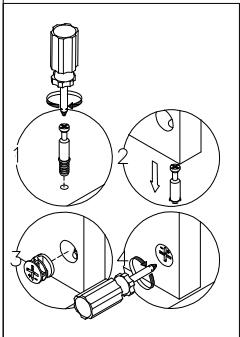


"Need to rotate and tighten C"

Step 6

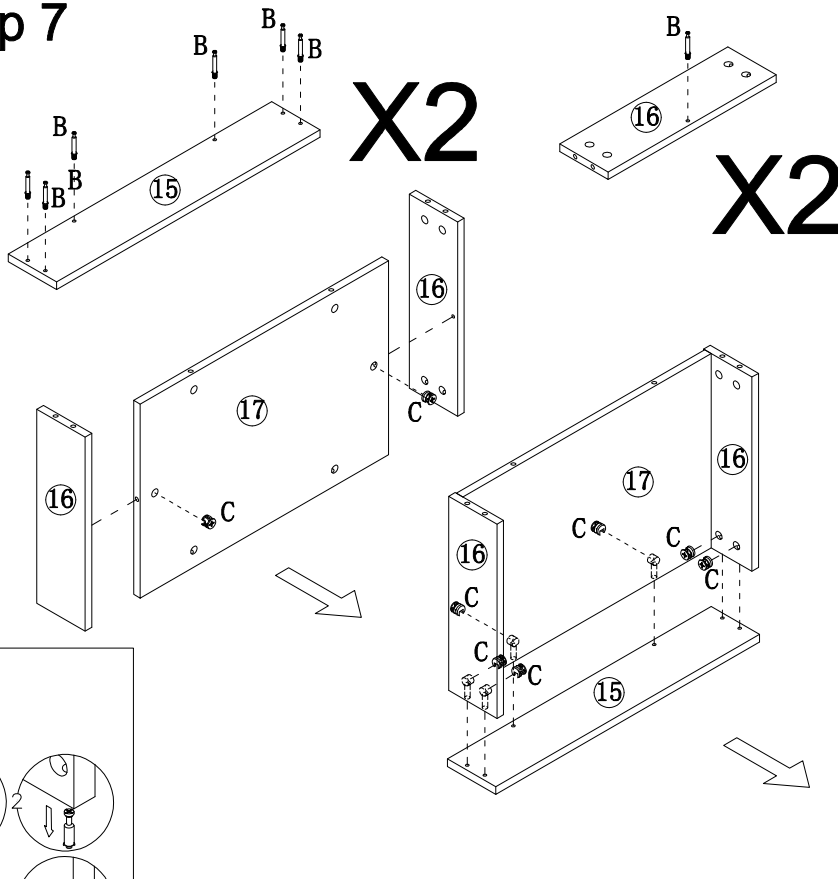


Ø12*10
C x10pcs

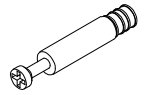


"Need to rotate and tighten C"

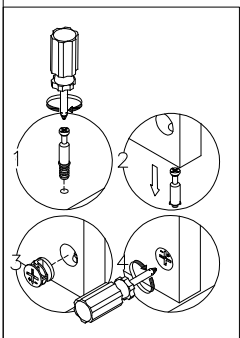
Step 7



Ø12*10
C x14pcs

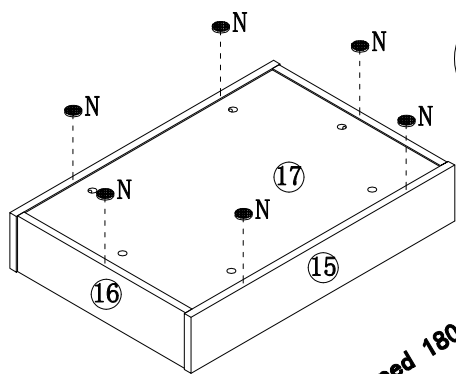


M6*34mm
B x14pcs

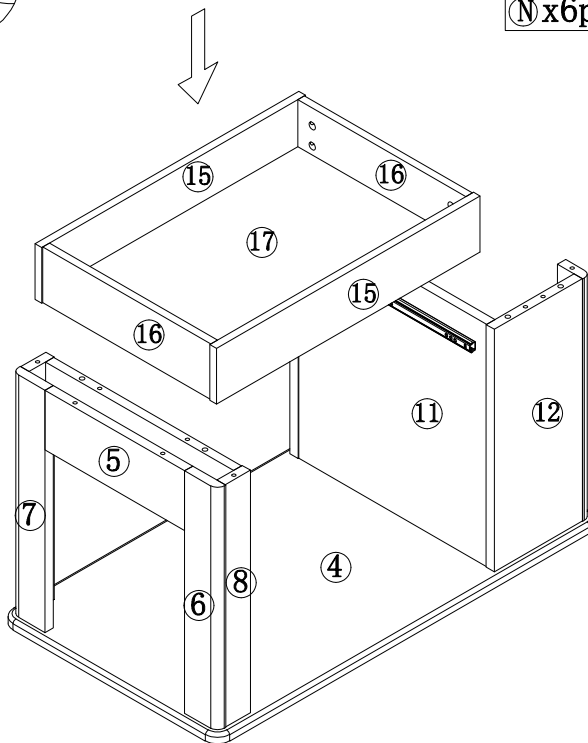



"Need to rotate and tighten C"

Step 8


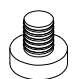

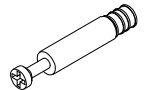


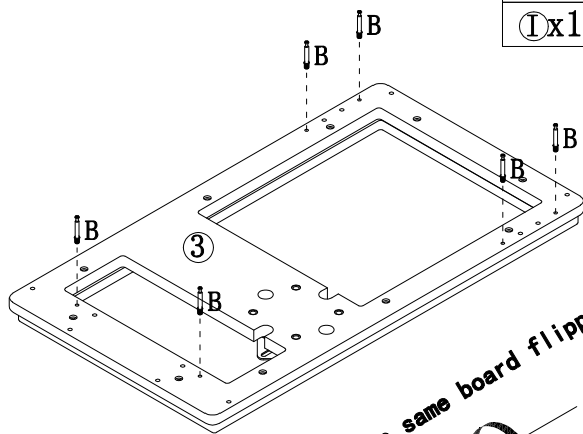
EN: The same board flipped 180°



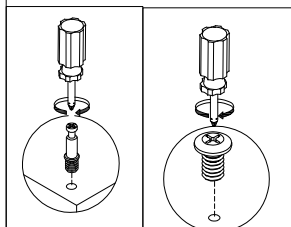
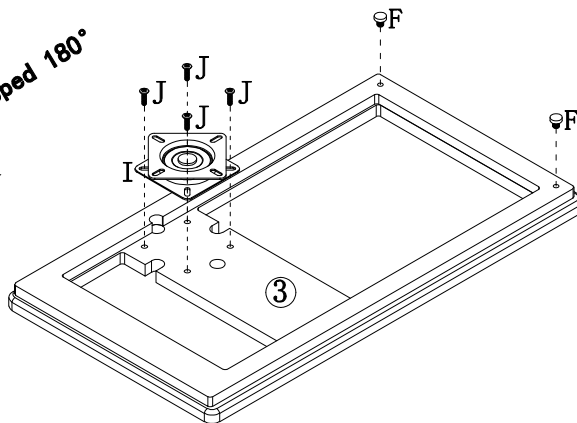

 $\Phi 12*2mm$
N x6pcs

Step 9

			
I x1pc	$\Phi 16*5mm$ F x2pcs	J x4pcs M6*12mm	B x6pcs M6*34mm



EN: The same board flipped 180°

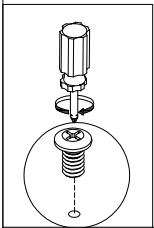
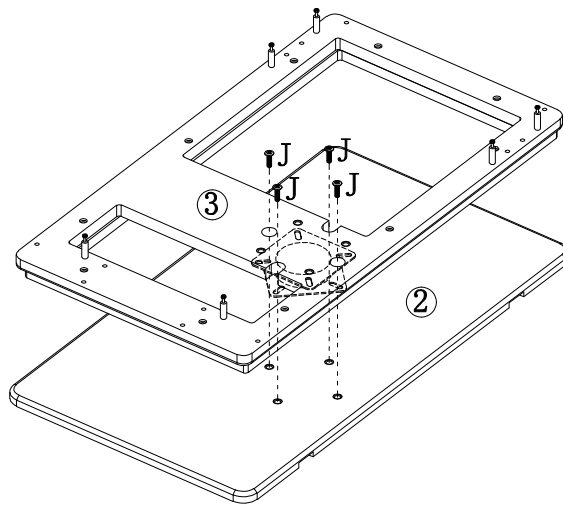


Step 10



M6*12mm

Ⓜx4pcs

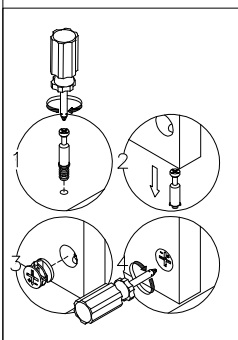
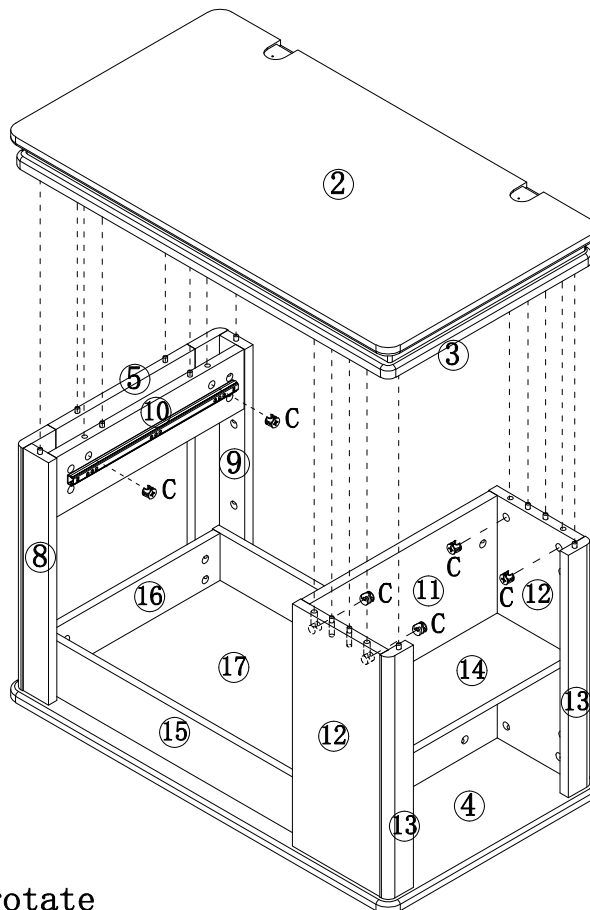


Step 11



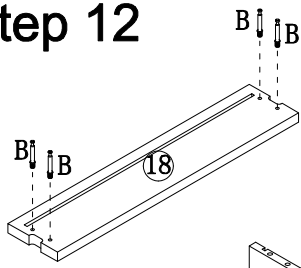
∅12*10

Ⓒ x6pcs

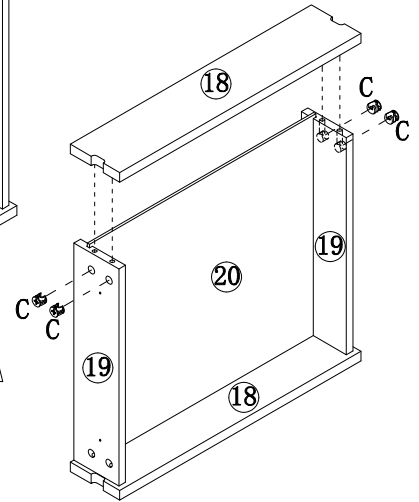
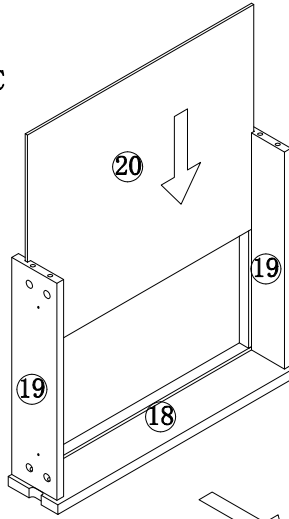
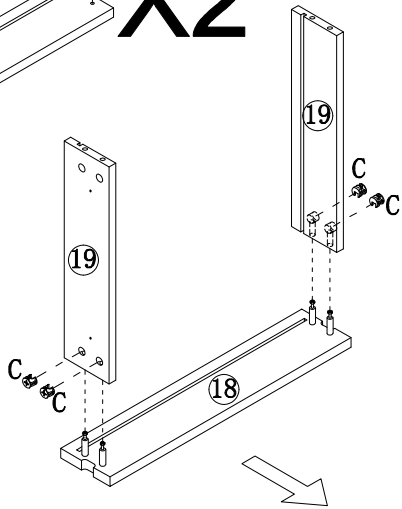


"Need to rotate and tighten C"

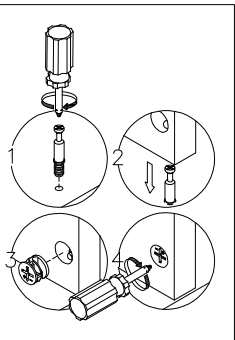
Step 12



X2

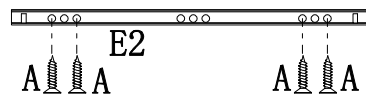
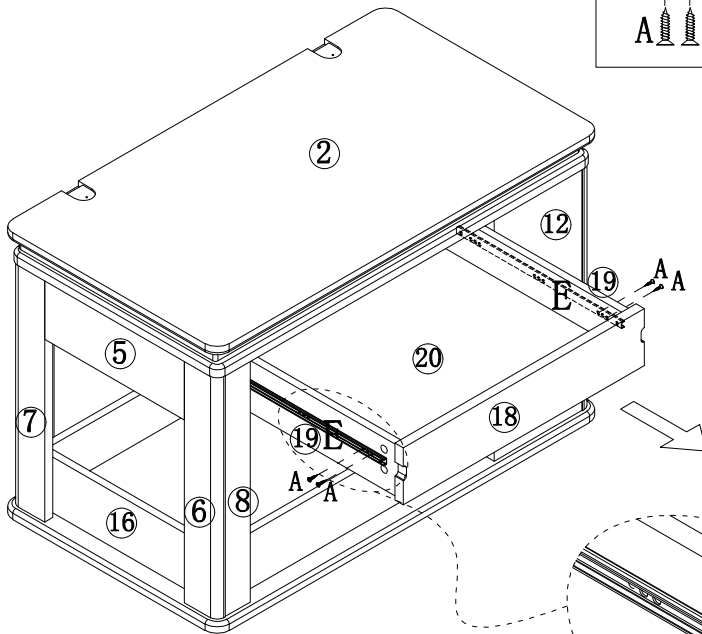


Ø12*10	M6*34mm
ⓐ x8pcs	ⓑ x8pcs

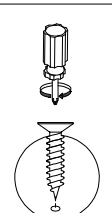
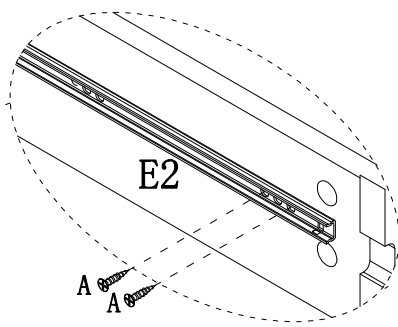


"Need to rotate and tighten C"

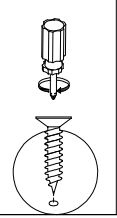
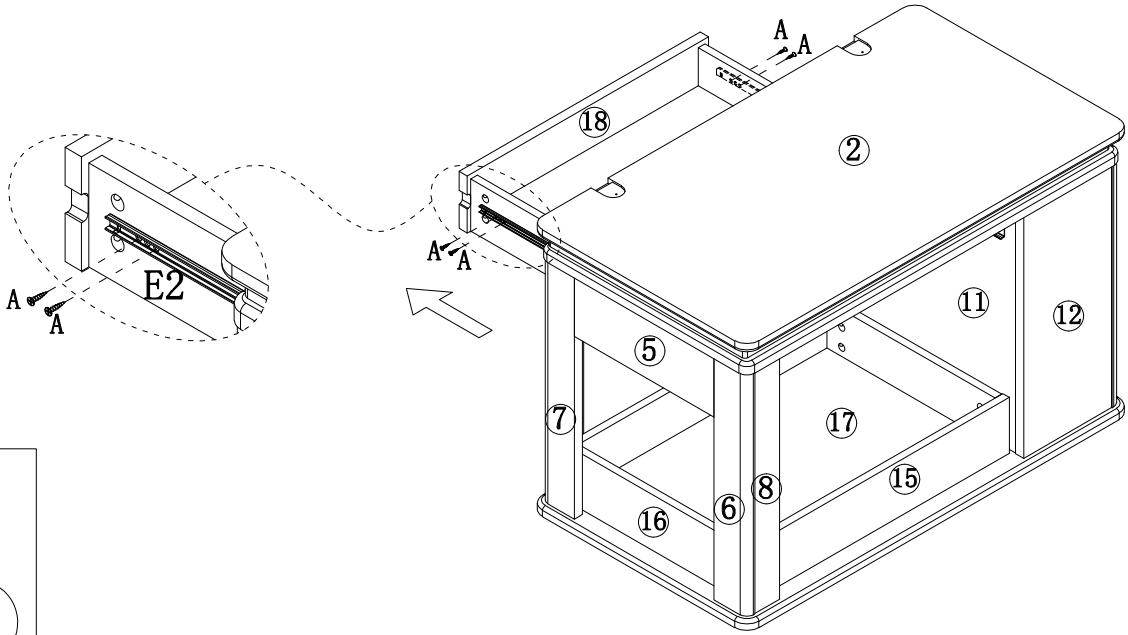
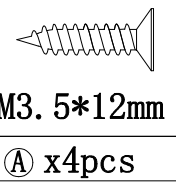
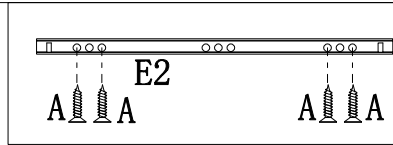
Step 13



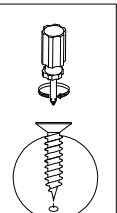
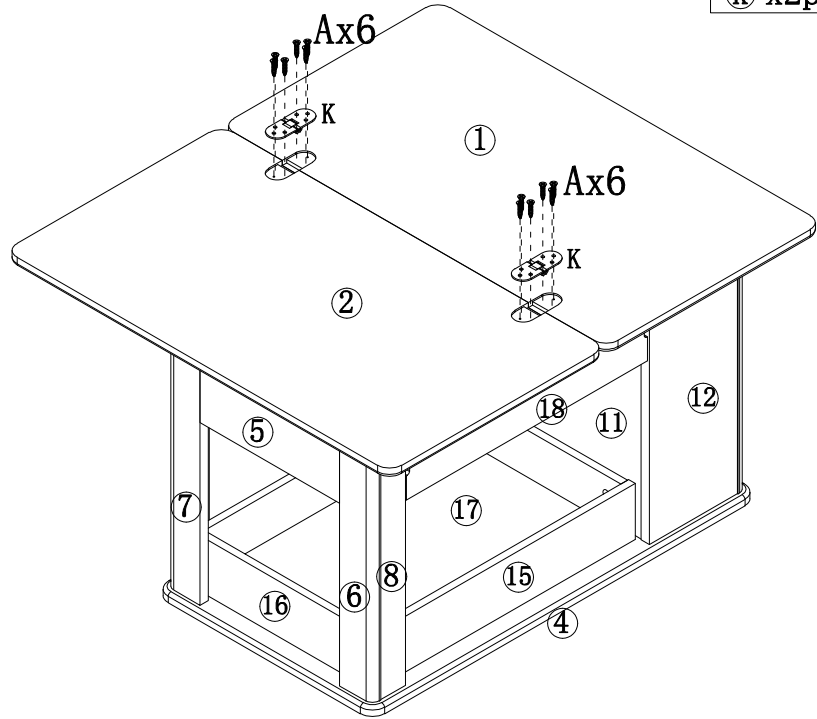
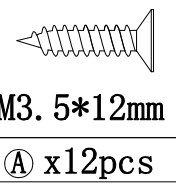
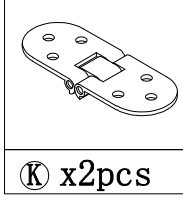
M3.5*12mm
Ⓐ x4pcs



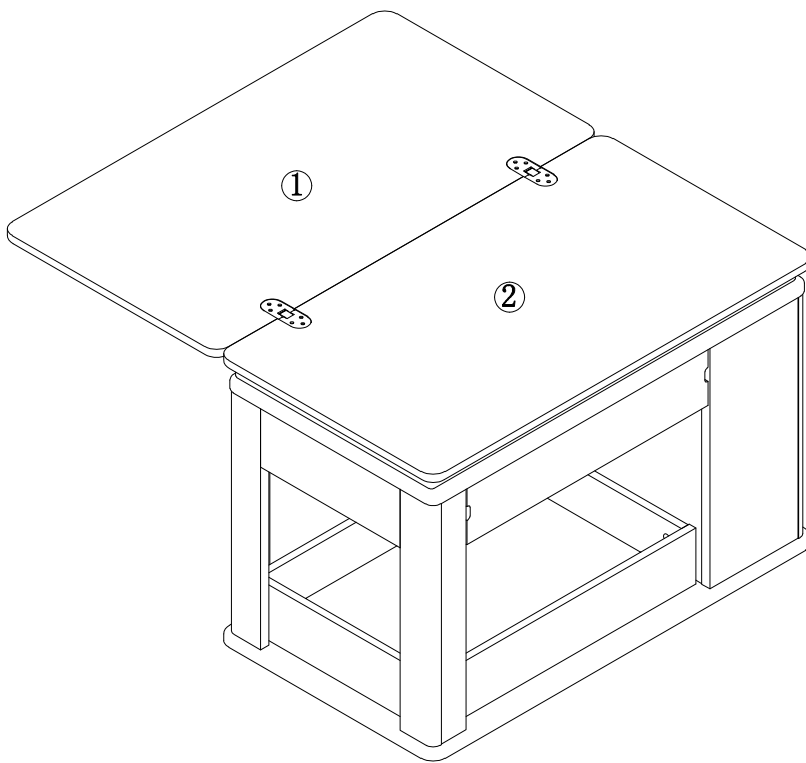
Step 14



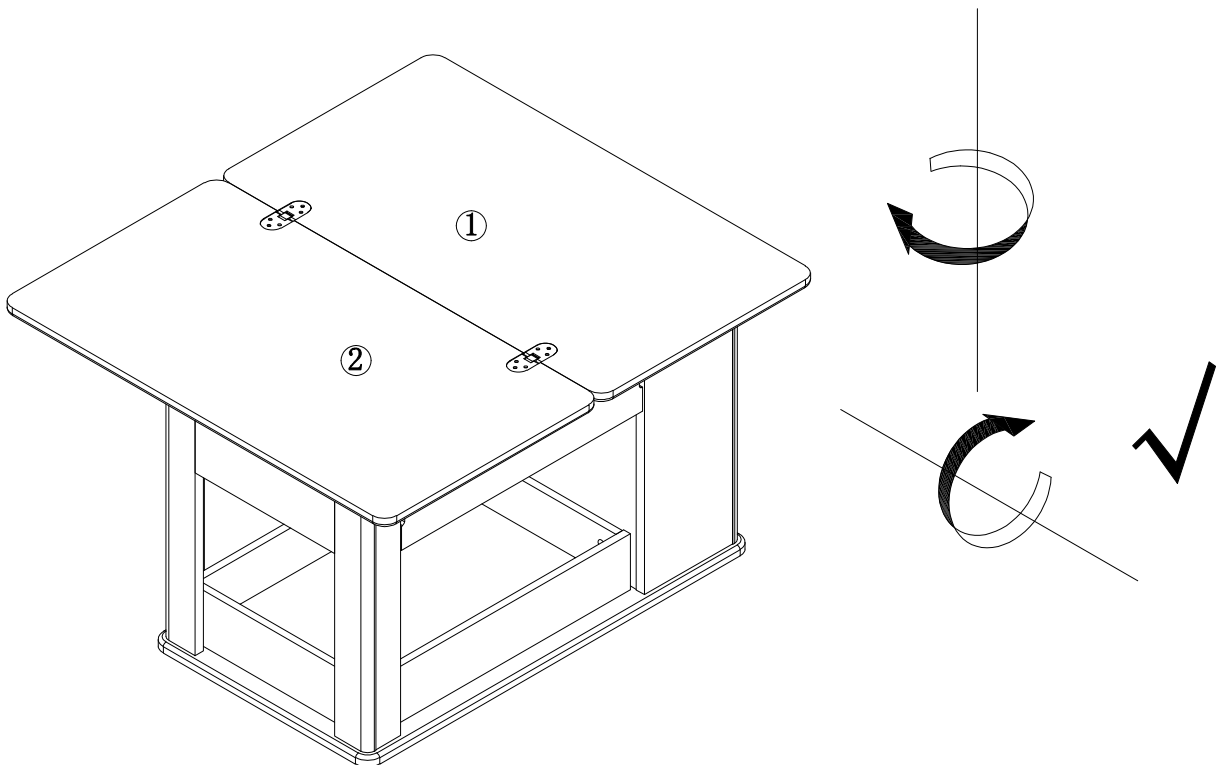
Step 15



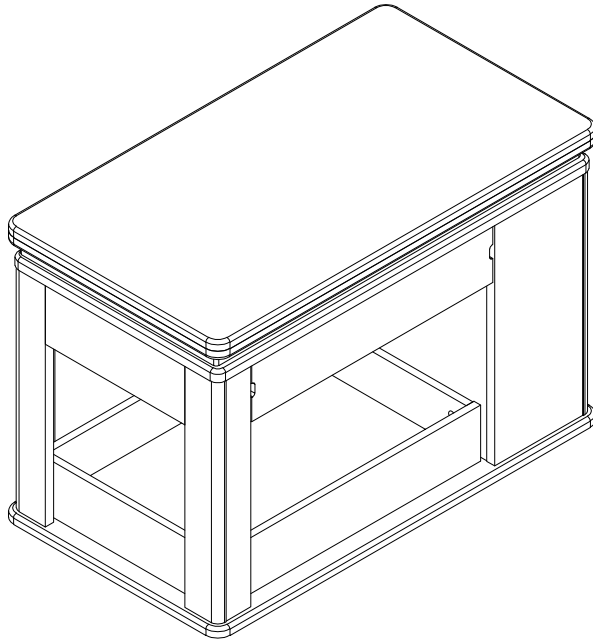
Step 16



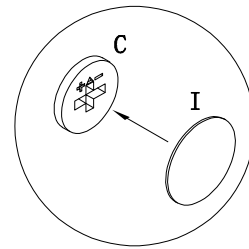
1. Attention, it is strictly prohibited to open component 1 directly as it may cause damage
2. The correct way to open is to rotate component 1 and component 2 90 degrees, as shown in the figure, perpendicular to the cabinet, and then open component 1



Step 17

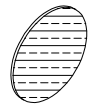
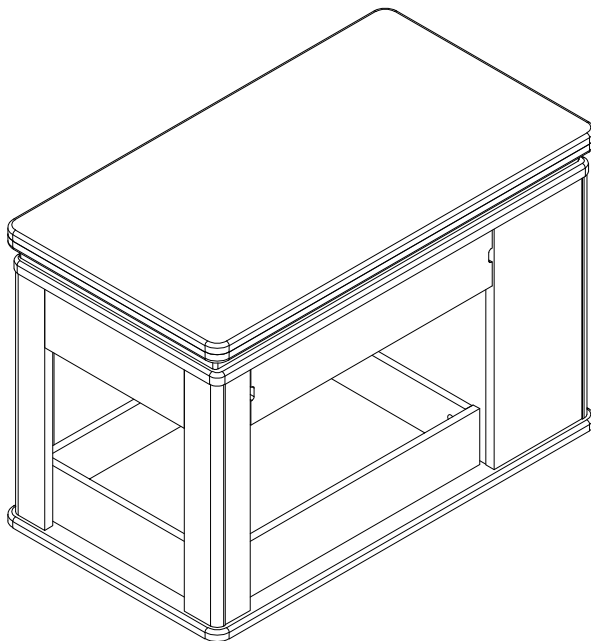


Ⓛx40pcs

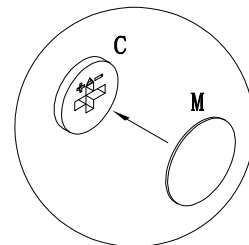


After installing the product, label the corresponding number L according to the color of the components At the perforation location

Step 18



Ⓜx18pcs



After installing the product, label the corresponding number M according to the color of the components At the perforation location