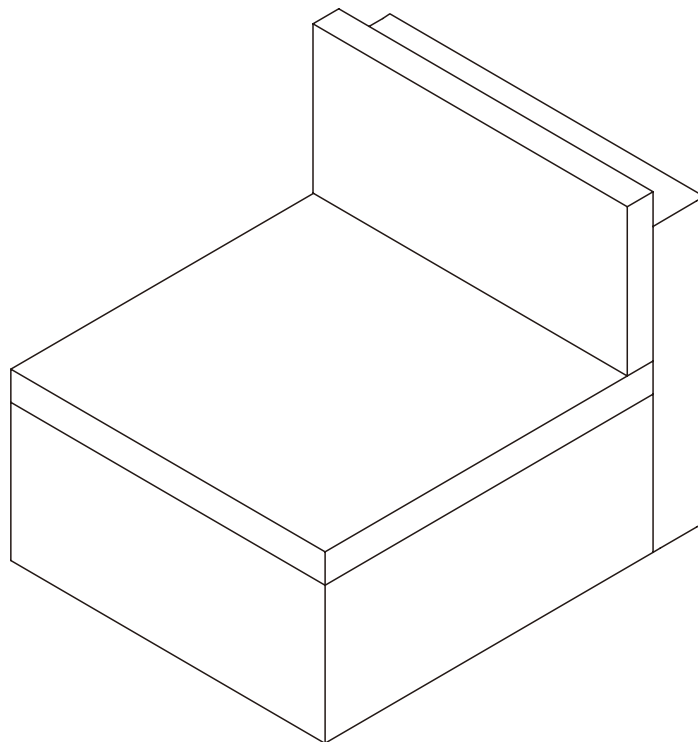


Armless sofa

DSF6-3W001

DSF6-3W002

DSF6-3W003



Instruction Manual

Thank you for shopping with us!

If any parts is missing, broken upon receipt or you need any help from us.

For the FASTEST solutions, please FIRSTLY CONTACT US at our

after-sales email: **CSsince1987@hotmail.com!**

IMPORTANT

Follow the instructions for the assembly, daily care and after-sales service!

1. Insulate the furniture:

Rattan furniture will go soft because of the heat. To guarantee and extend its service life, it should be put at a place away from the heat.

2. Keep away from the direct sunlight:

Strong sunlight will discolorate the rattan and shorten its service life. When in use, it should be kept away from the direct sunlight.

3. Avoid contact with water:

Rattan furniture usually has a metal frame for the solidness and sturdiness, but it will get oxidized and corroded because of a contact with the water. So it should avoid the contact with water when being used.

4. Clean and maintain the furniture:

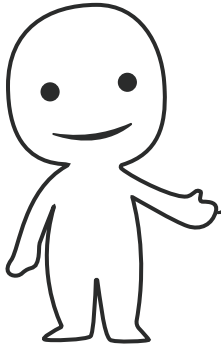
Use a feather duster to clean the dust and dirt on it. For stubborn stain, use the wet towel to wipe it off. Wax the rattan to prevent it from discoloration and keep good-looking.

5. Do not allow light source to focus on it:

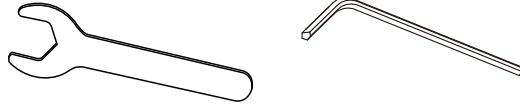
Glasses, mirrors and other items that are easy to gather the light source should not be put at a place where they can project the light source to the furniture.



Note: It's normal for the sponge to appear yellow after taking in air.



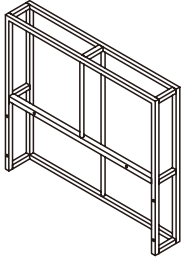
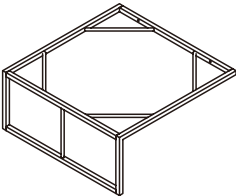
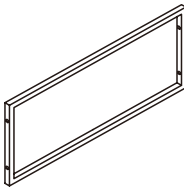
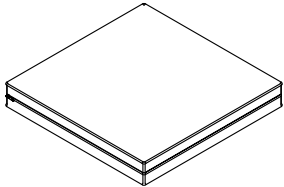
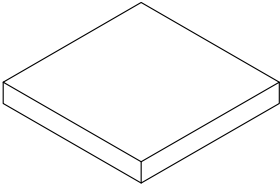
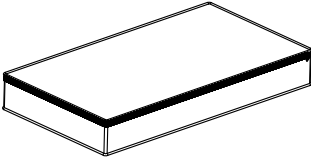
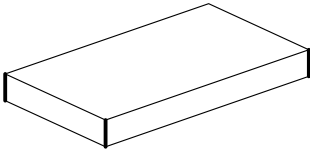
Please prepare the following tools



When installing, please carefully confirm whether each screw corresponds to the manual, accessories with similar shapes can be distinguished by size

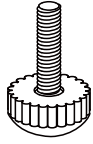
Parts list

Armless sofa

			
(A2) Seat back 3PCS	(B2) Seat base 3PCS	(D) Side panel 6PCS	(E) Seat cushion cover 3PCS
			
(F) Seat sponge 3PCS	(G) Back cushion cover 3PCS	(H) Back sponge 3PCS	

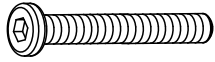
Hardware list

① x 12



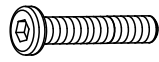
Adjustable screw foot

② x 18



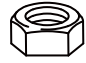
M6 x 55 mm

③ x 12




M6 x 35 mm

④ x 18




M6

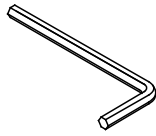
⑤ x 48



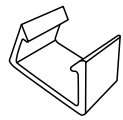
⑥ x 1

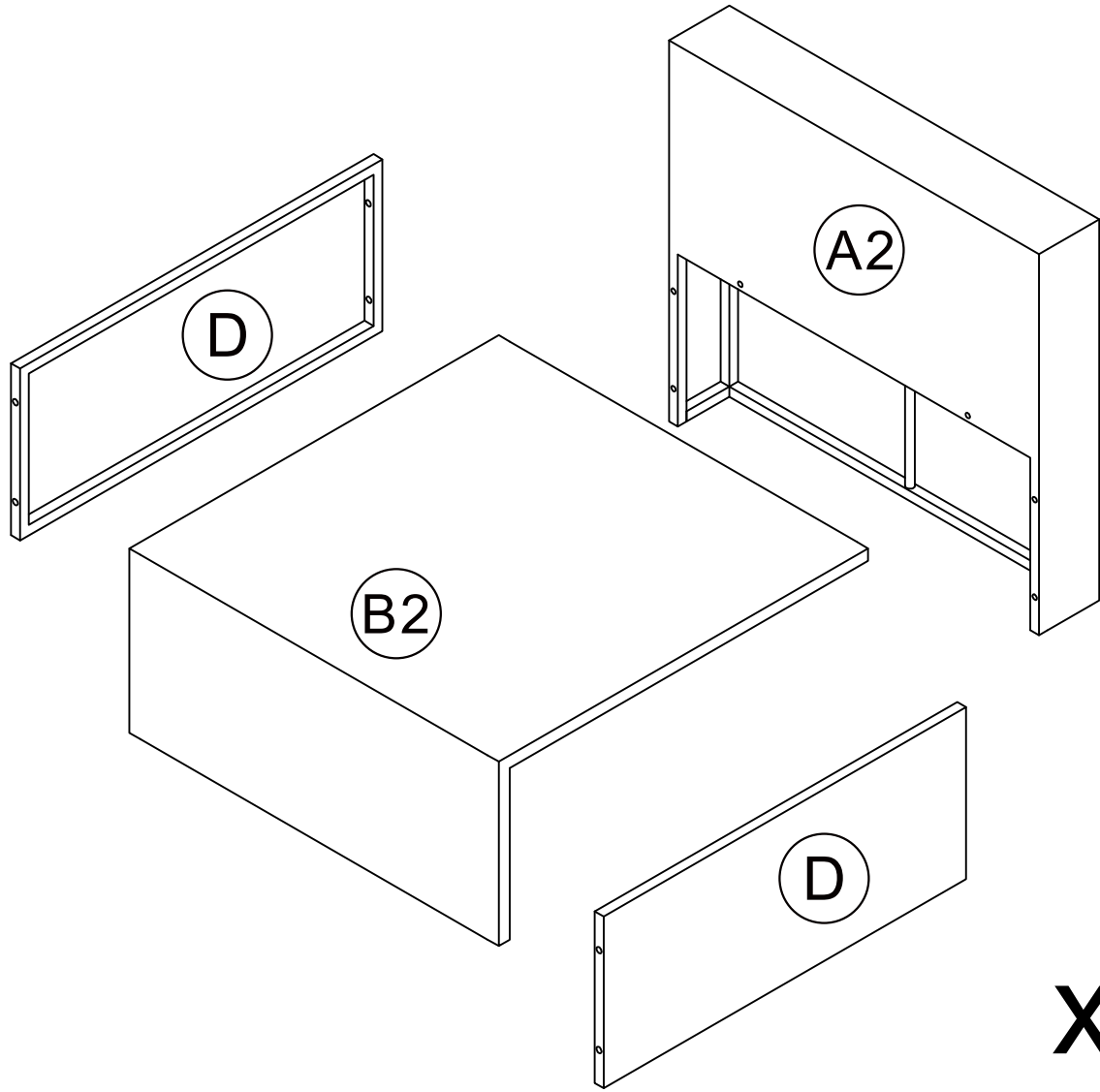


⑦ x 1



○ x 4

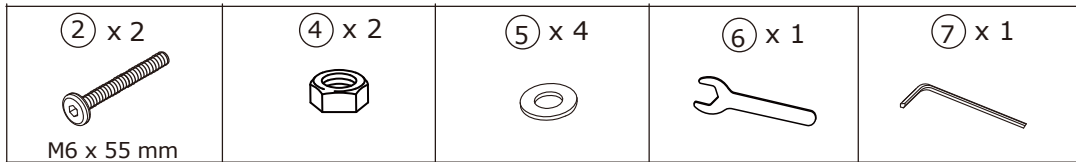




x3

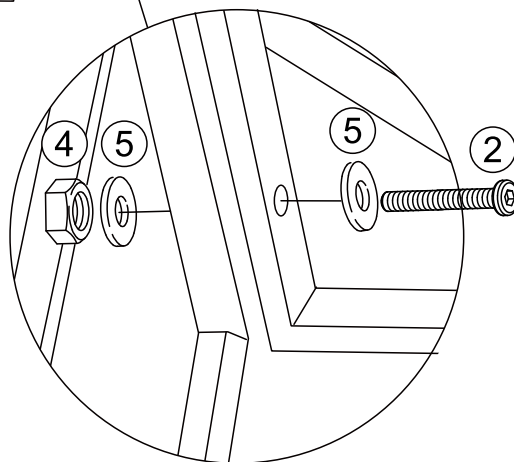
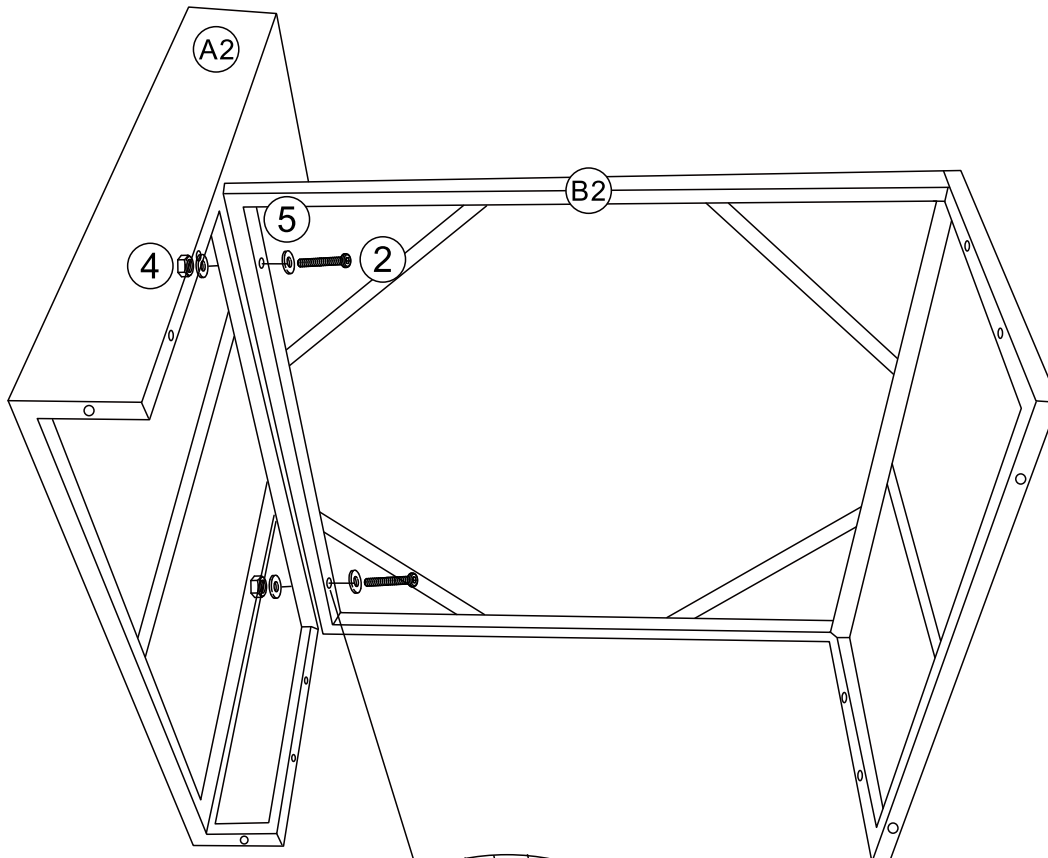
ARMLESS SOFA

STEP 1



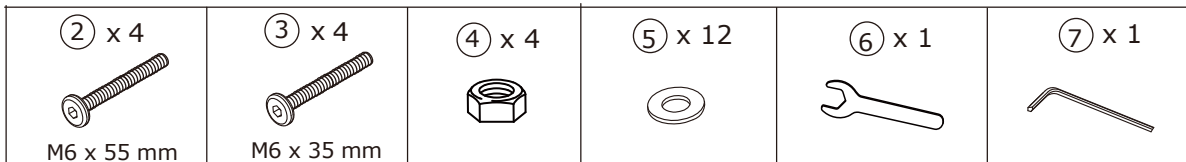
Fix part B2 with part A2 with two M6x55mm Screws (2) and nut (4) and Flat Washers (5). Use Allen key (7) and wrench (6).

DO NOT FULLY TIGHTEN.



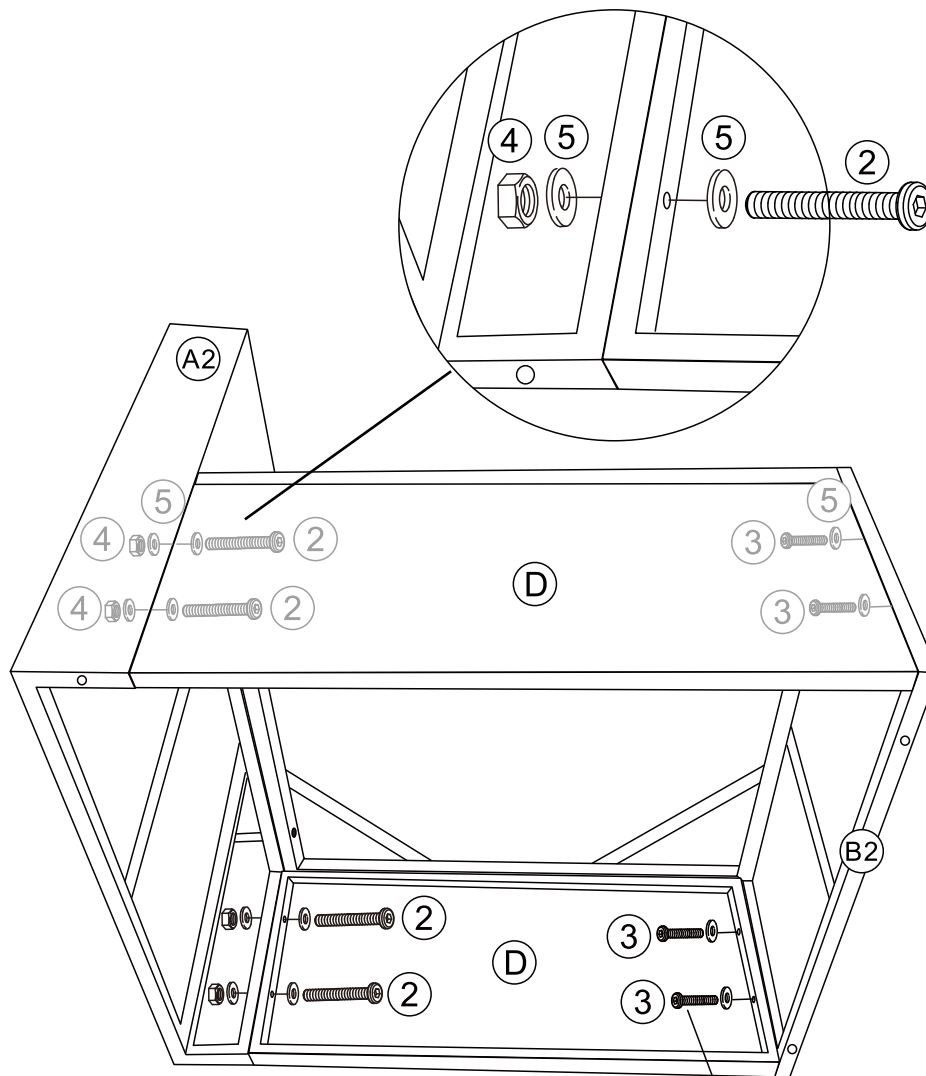
x3

STEP 2



Fix part D with part A2 with four M6x55mm Screws (2) and nut (4) and Flat Washers (5). Use Allen key (7) and wrench (6).

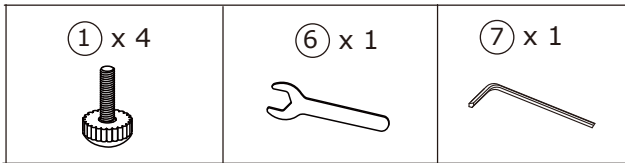
DO NOT FULLY TIGHTEN.



x3

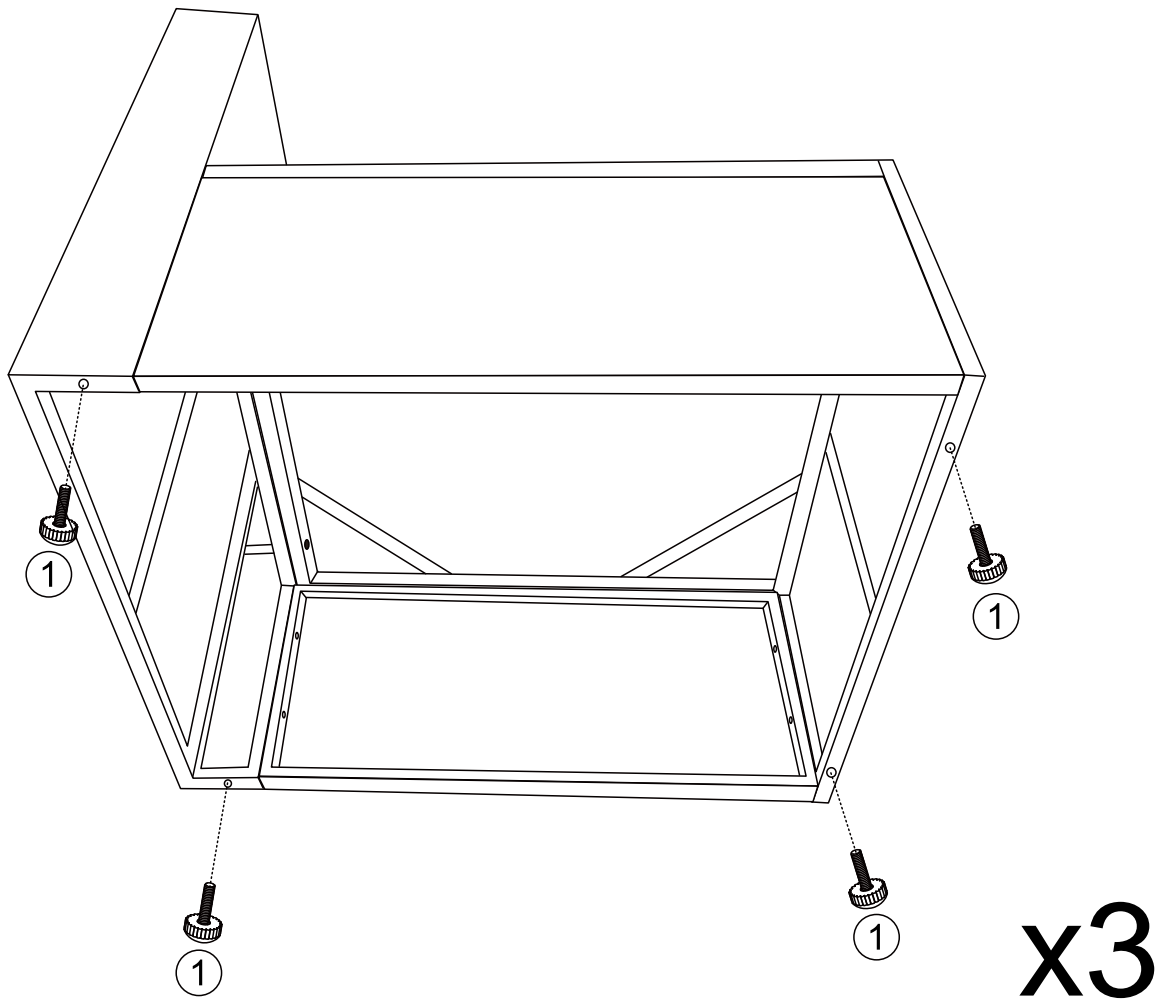
Fix part D with part B2 with four M6x35mm Screws (3) and Flat Washers (5). Use Allen key (7).
DO NOT FULLY TIGHTEN.

STEP 3



Screw on the adjustable screw feet.

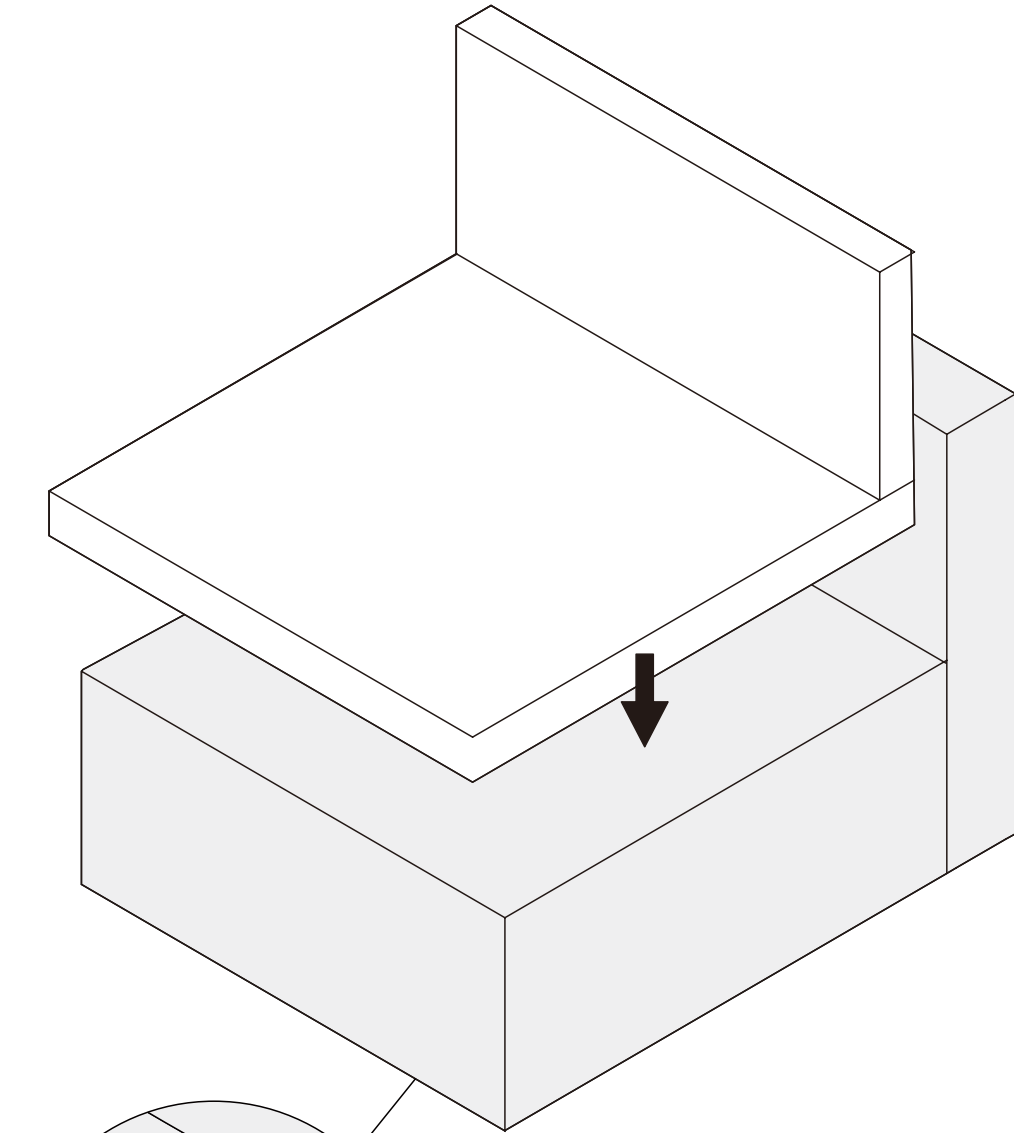
**Adjust alignments and NOW
TIGHTEN ALL SCREWS with wrench (6)
with Allen key (7).**



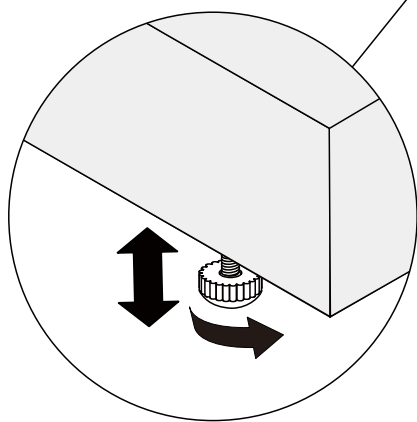
Installation Completed

STEP 4

Put the seat cushion and back cushion on.



x3



Note: Screw in the adjustable feet to keep the chair balanced.

EN

STEP 9



Note: Please use the provided fasteners clip to fix the bottom of adjacent seats.

EN

