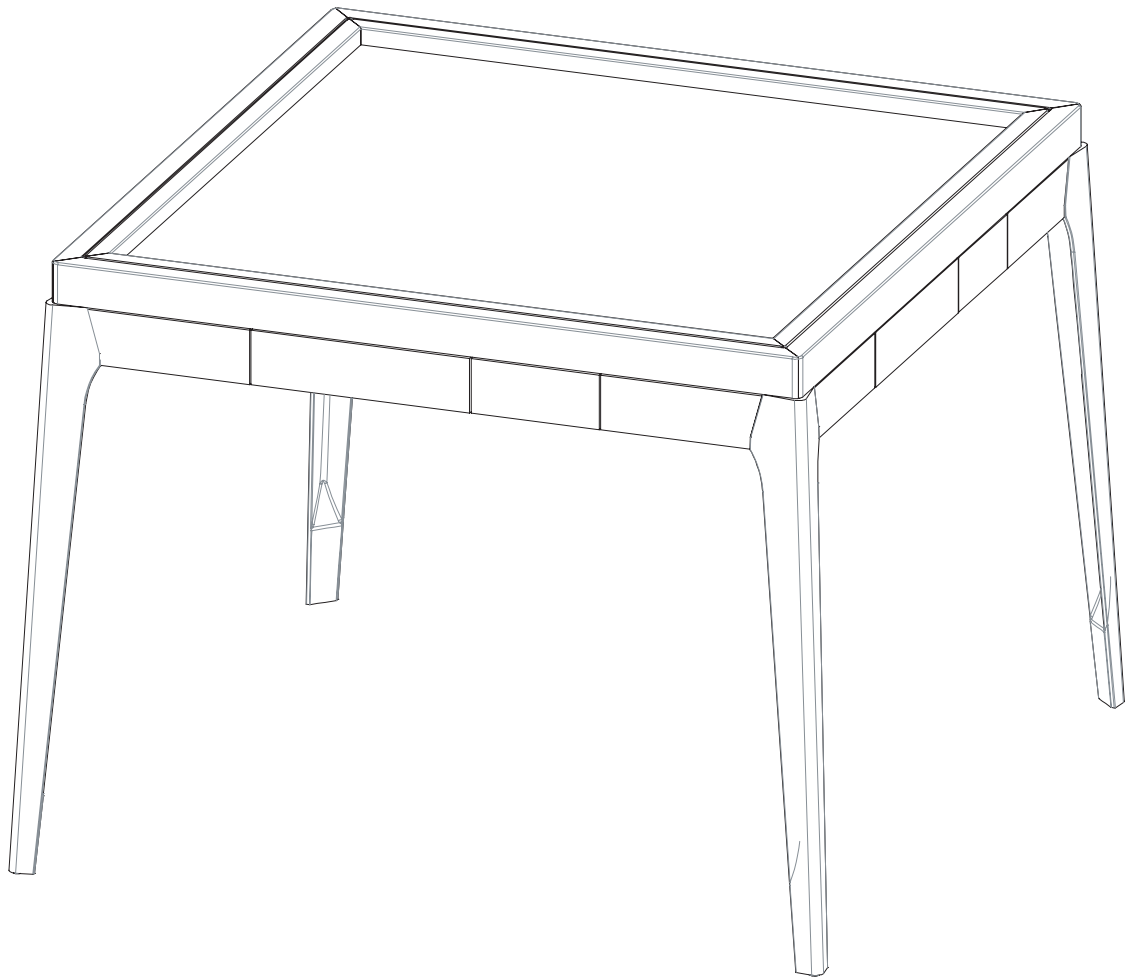


MAHJONG TABLE

M4005



DISTRICT EIGHT

CARE INSTRUCTIONS

Thank you for purchasing a piece of District Eight furniture. To make sure the design you have chosen remains looking it's best please follow these care instructions.

Metal and wood components can be cleaned using a clean cloth and if you feel it is needed, use Pledge or any other wax based furniture polish to restore your furniture's lustre.

The fabric should only be cleaned with a solvent or water-free product, like a dry-cleaning solvent. Use just a litte and make sure you have plenty of ventilation.

www.districteight.com

SUPPLIED COMPONENTS



x 16



x 8

M6 x 30



x 8

M8 x 16



x 8

M10 x 25



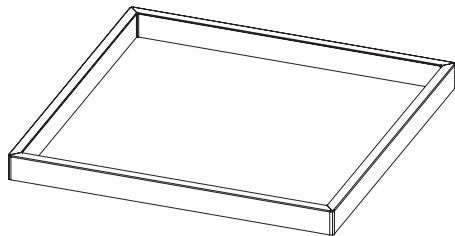
x 8

∅21 x ∅10 x 2.5

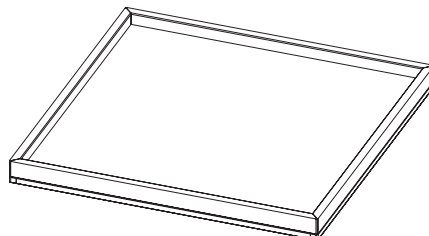


x 8

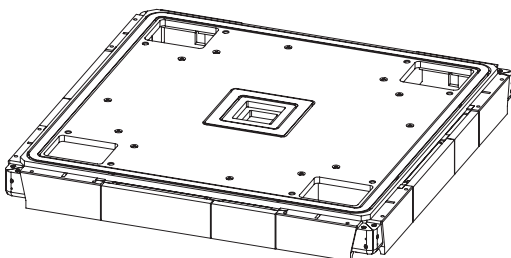
∅15 x ∅6.5 x 2



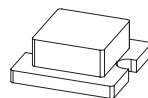
x 1



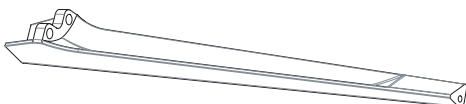
x 1



x 1



x 1



x 4

TOOLS NEEDED



6 mm

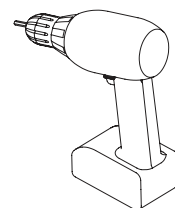


5 mm



4 mm

RECOMMENDED TOOLS




DISTRICT EIGHT


ASSEMBLY STEPS


1

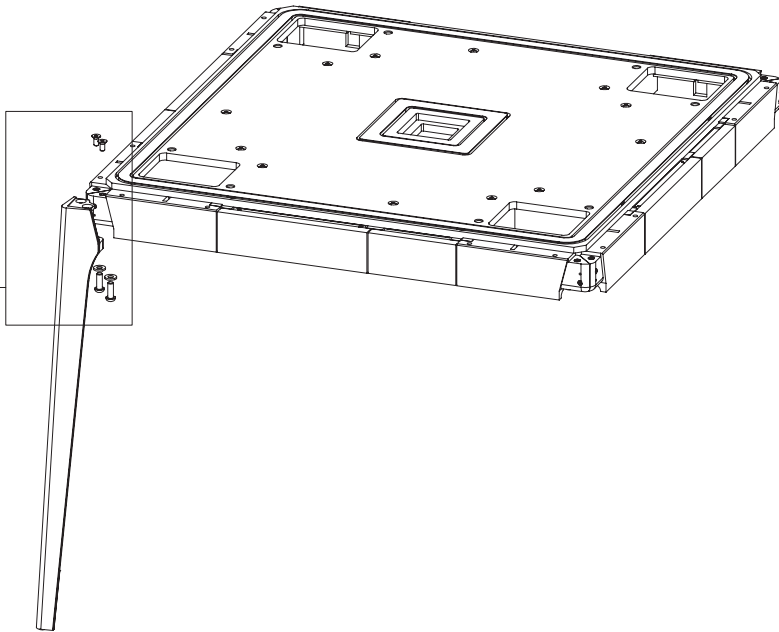
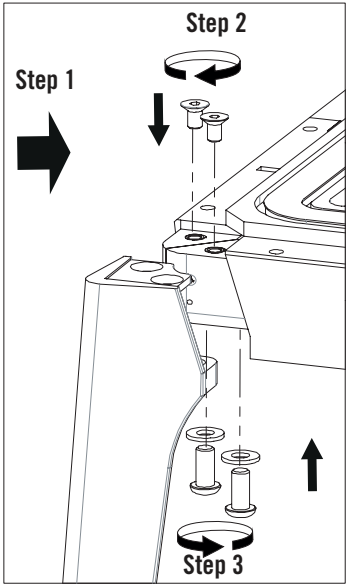
 x 8
M8 x 16

 x 8
M10 x 25

 x 8
Ø21 x Ø10 x 2.5

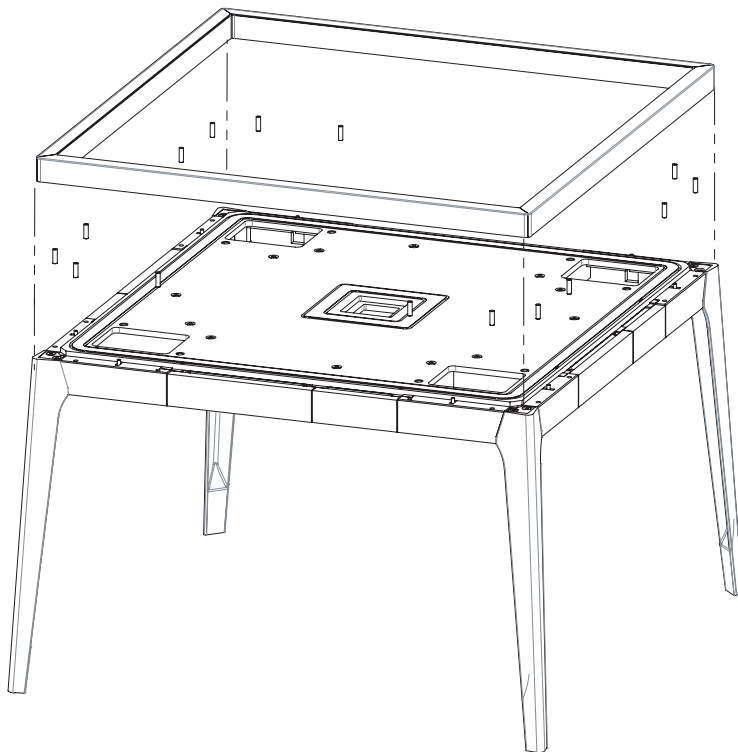

5 mm


6 mm



2

 x 16



DISTRICT EIGHT

ASSEMBLY STEPS

3



x 8

M6 x 30

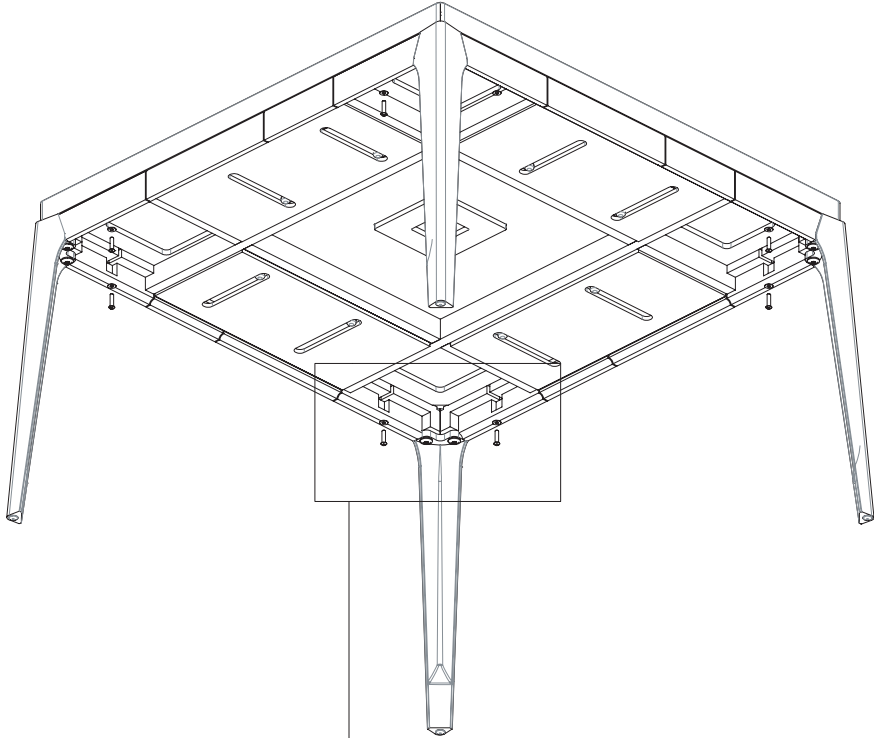


x 8

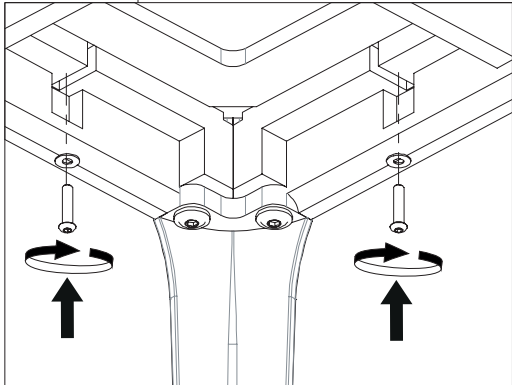
Ø15 x Ø6.5 x 2



4 mm

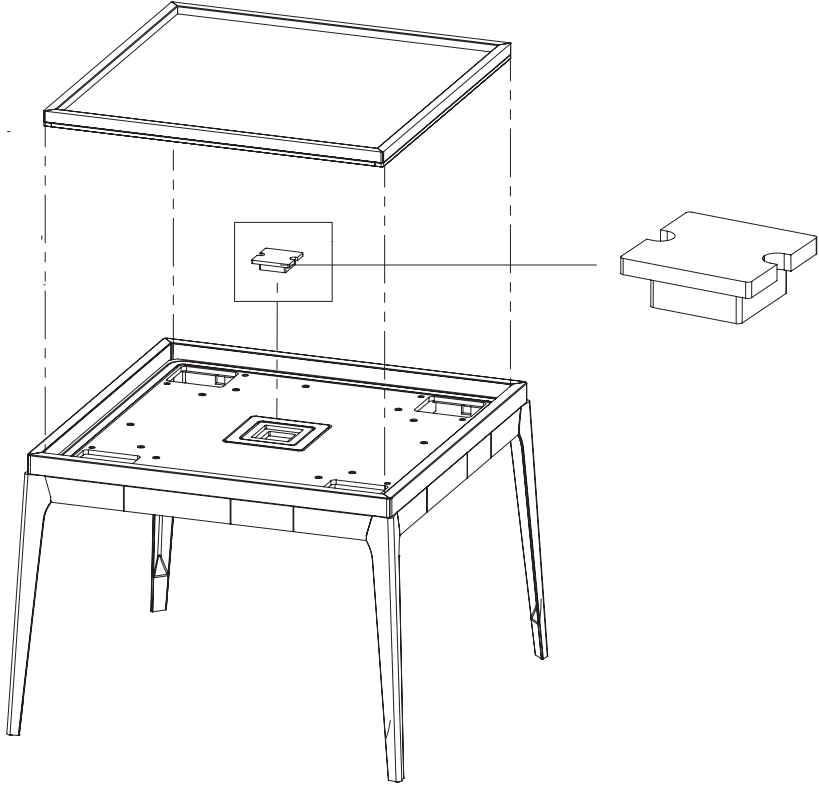


BOTTOM VIEW

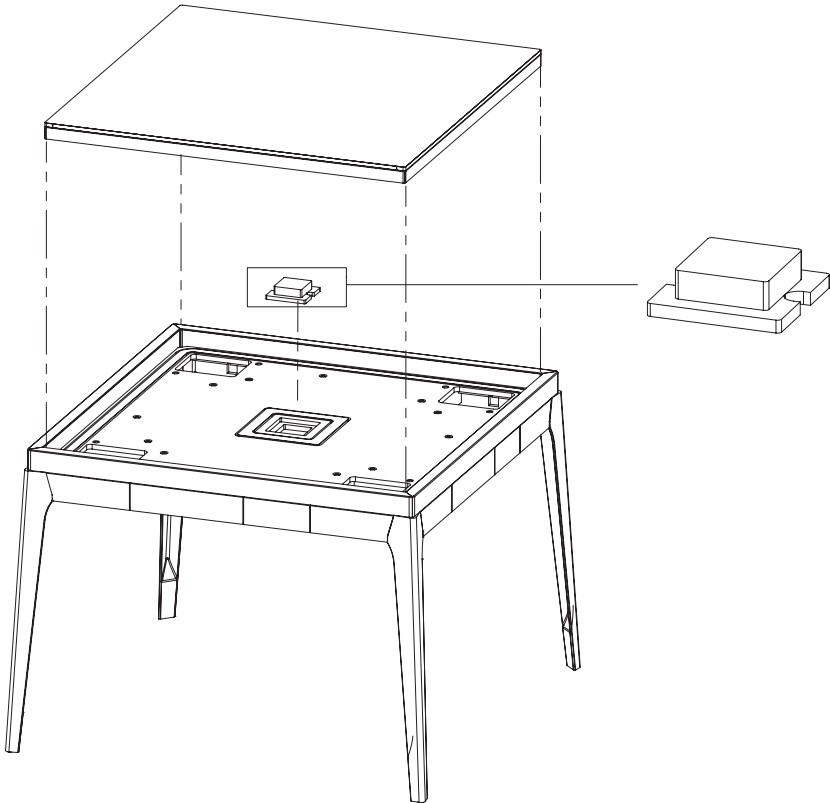


ASSEMBLY STEPS

4 Mahjong game table mode



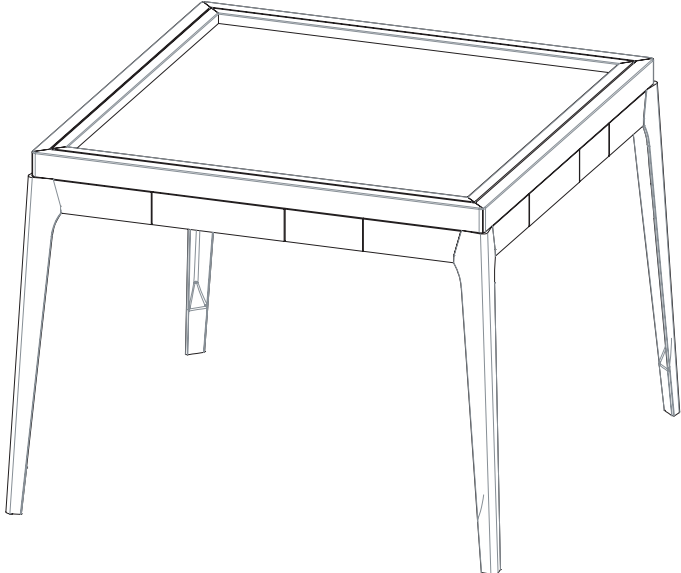
Mahjong dining table mode



ASSEMBLY STEPS

5

Mahjong game table mode



Mahjong dining table mode

