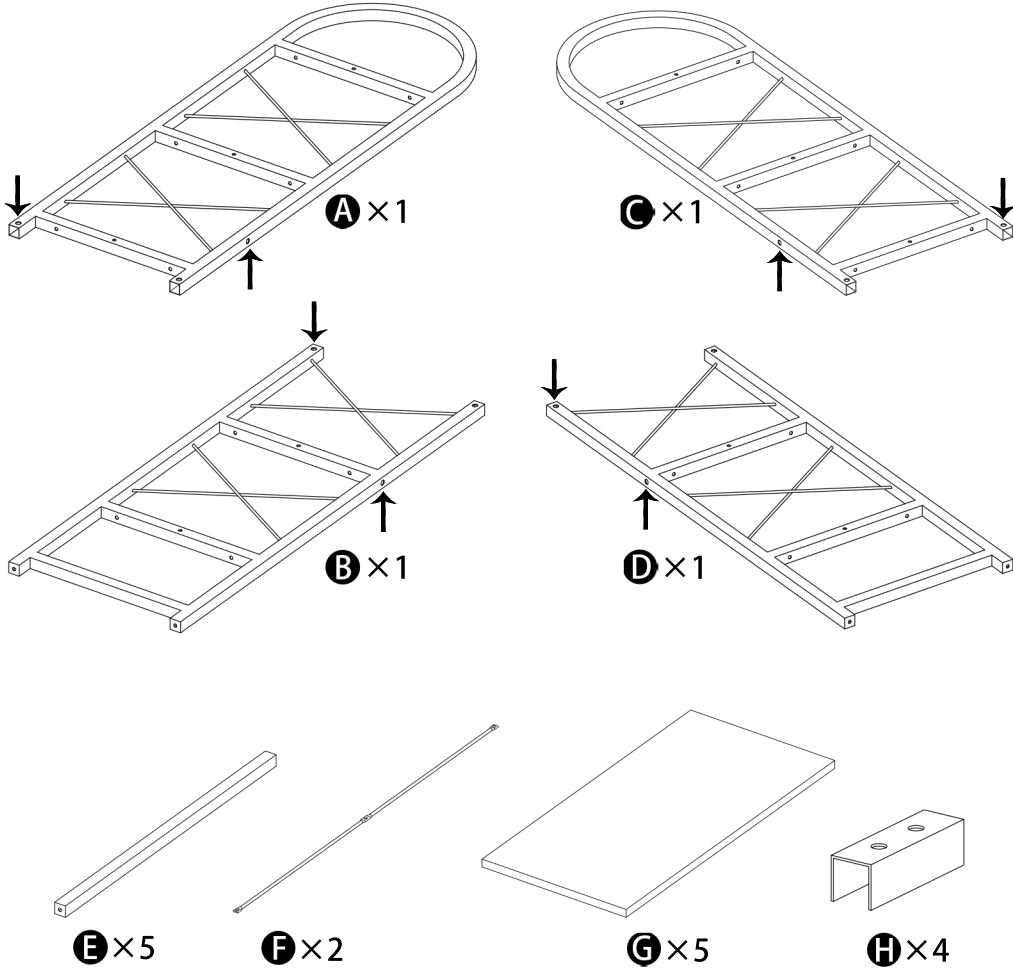
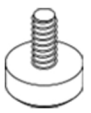

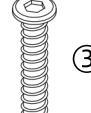
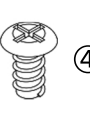

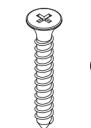
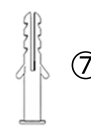
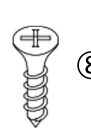
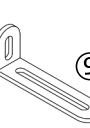



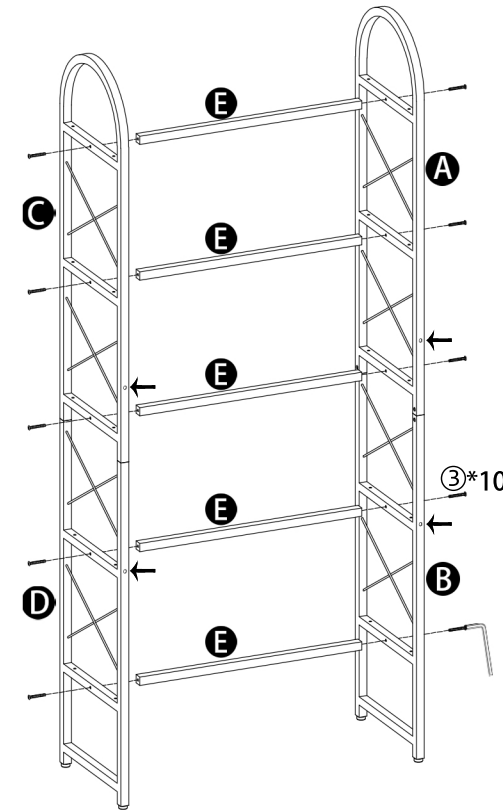
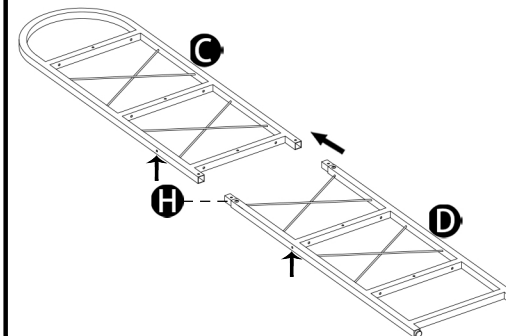
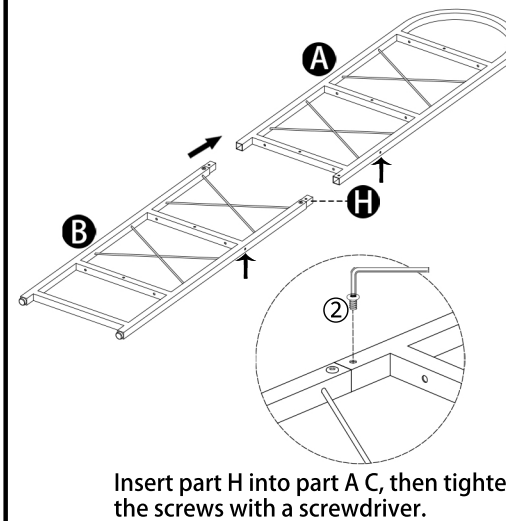
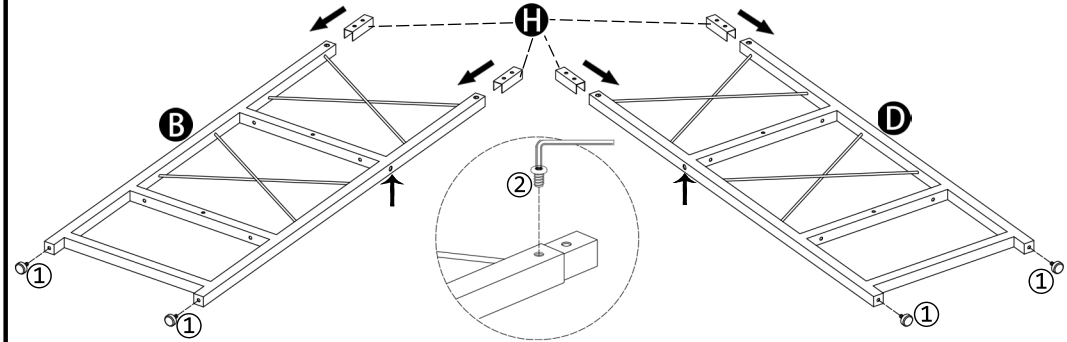
# ASSEMBLY INSTRUCTION

Note the location of the screw holes.



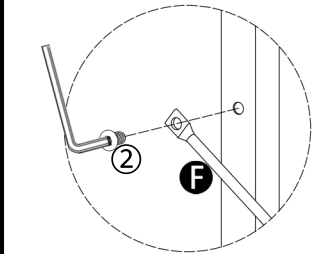
Hardware Parts	 ① × 4	 ② × 12	 ③ × 30	 ④ × 1	 ⑤ × 1
	 ⑥ × 2	 ⑦ × 2	 ⑧ × 2	 ⑨ × 2	 ⑩ × 1

## Installation Steps

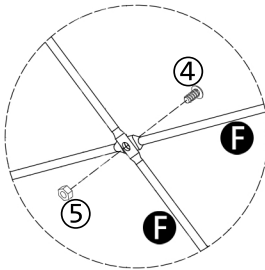


Attach E × 5 to A B C D with ③.  
Note: Arrow position holes need to be facing the same direction.

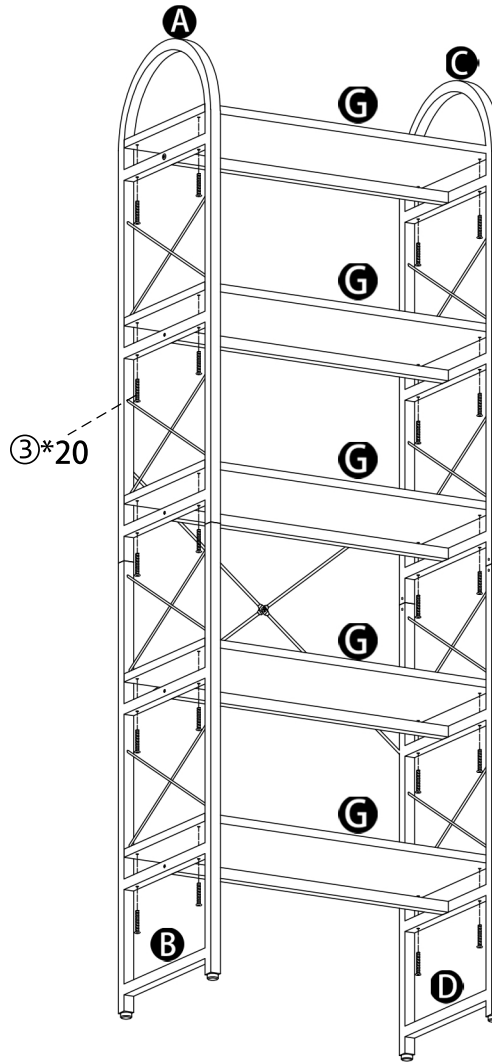
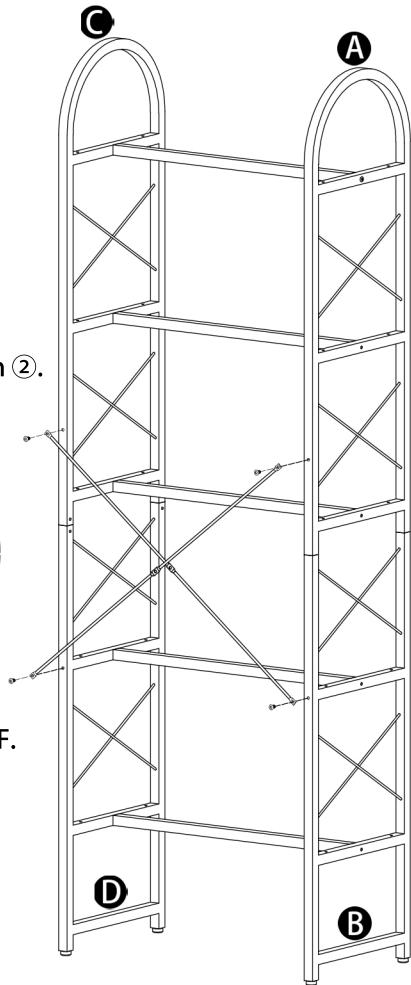
# Installation Steps



Attach F×2 to A B C D with ②.

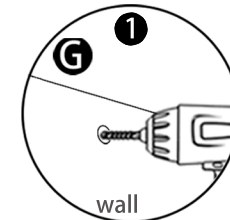


Tighten the screws at the intersection of part F.

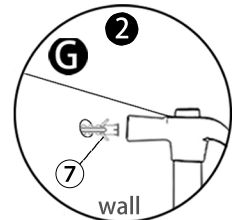


Attach G×5 to A B C D with ③.

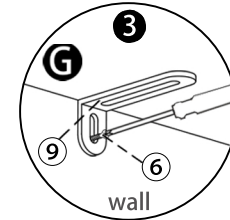
Installation of fixed brackets is safer and prevents the shelf from tipping over.



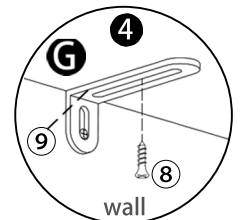
Drill the holes



Punch the expansion nails



Screw in the screws



Attach ⑨ to G with ⑧

